



US00D651717S

(12) **United States Design Patent**
Govreen-Segal et al.

(10) **Patent No.:** **US D651,717 S**
(45) **Date of Patent:** **** Jan. 3, 2012**

- (54) **PELVIC AND SPINAL SUPPORT DEVICE**
- (75) Inventors: **Dael Govreen-Segal**, Hod Hasharon (IL); **Tal Presenty**, Tel Mond (IL); **Yoav Tikochinsky**, Tel Aviv (IL); **Ran Litvak**, Tel Aviv (IL); **Yizhaq Goldman**, Holon (IL); **Eran Shafir**, Tel Aviv (IL); **Yael Gur**, Haifa (IL)
- (73) Assignee: **Koala Health Accessories Ltd**, Hod Hasharon (IL)
- (**) Term: **14 Years**
- (21) Appl. No.: **29/367,990**
- (22) Filed: **Aug. 16, 2010**
- (51) **LOC (9) Cl.** **24-01**
- (52) **U.S. Cl.** **D24/190**
- (58) **Field of Classification Search** D24/188-191, D24/200, 206; D29/100, 101.2; D2/502, D2/624, 627, 629, 634, 635; 602/5, 18, 19; 128/DIG. 23, 101.1; 2/44-45, 300, 338, 2/463-465; D21/662; 450/119, 121

See application file for complete search history.

(56) **References Cited**

U.S. PATENT DOCUMENTS

1,282,569 A * 10/1918 Gookin 128/101.1
(Continued)

Primary Examiner — Susan E Krakower

(74) *Attorney, Agent, or Firm* — Graeser Associates International Inc

(57) **CLAIM**

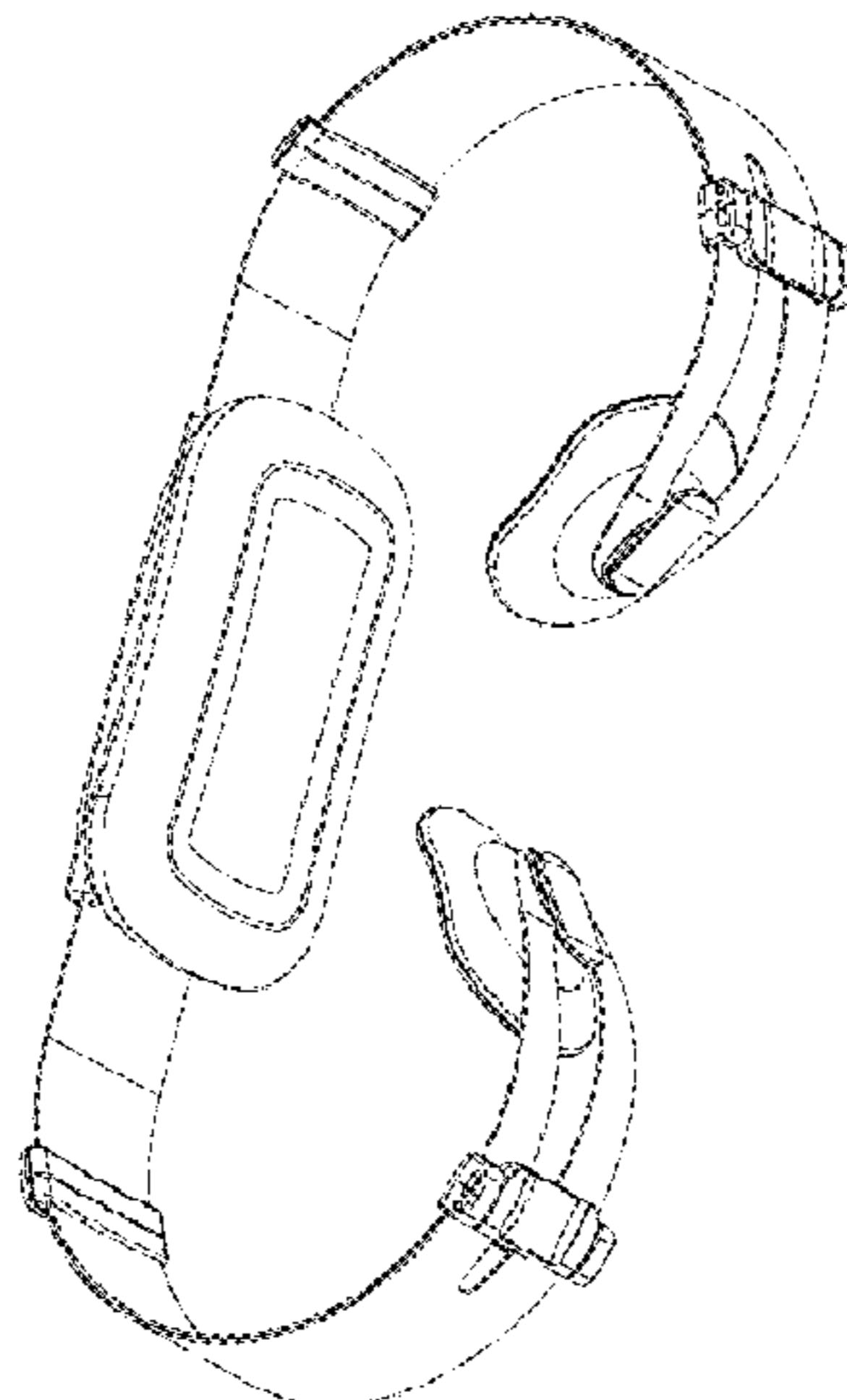
We claim the ornamental design for a pelvic and spinal support device, as shown and described.

DESCRIPTION

FIG. 1 is a bottom perspective view of a pelvic and spinal support device shown in an assembled configuration.
 FIG. 2 is a top perspective view thereof shown in an assembled configuration.
 FIG. 3 is a left side perspective view thereof shown in an assembled configuration.
 FIG. 4 is a front elevational view thereof shown in an assembled configuration.
 FIG. 5 is a rear elevational view thereof shown in an assembled configuration.

FIG. 6 is a top plan view thereof shown in an assembled configuration.
 FIG. 7 is a side elevational view thereof shown in an assembled configuration.
 FIG. 8 is a rear perspective view thereof shown in an assembled configuration.
 FIG. 9 is a rear perspective view thereof shown with the pelvic and back cushions removed for ease of illustration.
 FIG. 10 is a front perspective view thereof shown with the pelvic and back cushions removed for ease of illustration.
 FIG. 11 is a second front perspective view thereof shown with the pelvic and back cushions removed for ease of illustration.
 FIG. 12 is a right side top perspective view thereof shown with the pelvic and back cushions removed for ease of illustration, the front is shown closer together to illustrate flexibility.
 FIG. 13 is a right side bottom perspective view thereof shown with the pelvic and back cushions removed for ease of illustration, the front is shown closer together to illustrate flexibility.
 FIG. 14 is a front elevational view thereof shown with the pelvic and back cushions removed for ease of illustration.
 FIG. 15 is a top plan view thereof shown with the pelvic and back cushions removed for ease of illustration, the front is shown closer together to illustrate flexibility.
 FIG. 16 is an enlarged top plan view of a pelvic cushion shown separately for ease of illustration.
 FIG. 17 is an enlarged left rear perspective view of a pelvic cushion shown separately for ease of illustration.
 FIG. 18 is an enlarged right rear perspective view of a pelvic cushion shown separately for ease of illustration.
 FIG. 19 is an enlarged rear elevational view of a pelvic cushion shown separately for ease of illustration.
 FIG. 20 is an enlarged front elevational view of a pelvic cushion shown separately for ease of illustration.
 FIG. 21 is an enlarged front elevational view of a back cushion shown separately for ease of illustration.
 FIG. 22 is an enlarged front perspective view of a back cushion shown separately for ease of illustration.
 FIG. 23 is an enlarged top plan view of a back cushion shown separately for ease of illustration.
 FIG. 24 is an enlarged right side elevational view of a back cushion shown separately for ease of illustration.
 FIG. 25 is an enlarged right bottom perspective view of a back cushion shown separately for ease of illustration.
 FIG. 26 is an enlarged left rear perspective view of a back cushion shown separately for ease of illustration.
 FIG. 27 is an enlarged rear elevational view of a back cushion shown separately for ease of illustration; and,
 FIG. 28 is a further enlarged left side elevational view of a back cushion shown separately for ease of illustration.

1 Claim, 20 Drawing Sheets



US D651,717 S

Page 2

U.S. PATENT DOCUMENTS

1,619,513	A *	3/1927	Hittenberger	128/96.1	3,154,072	A *	10/1964	Mack	602/19
1,940,904	A *	12/1933	Dayton et al.	602/19	5,690,609	A *	11/1997	Heinze, III	602/19
1,992,397	A *	2/1935	Rowley	128/96.1	2009/0254015	A1 *	10/2009	Segal et al.	602/19
2,562,355	A *	7/1951	Grant	128/99.1						

* cited by examiner

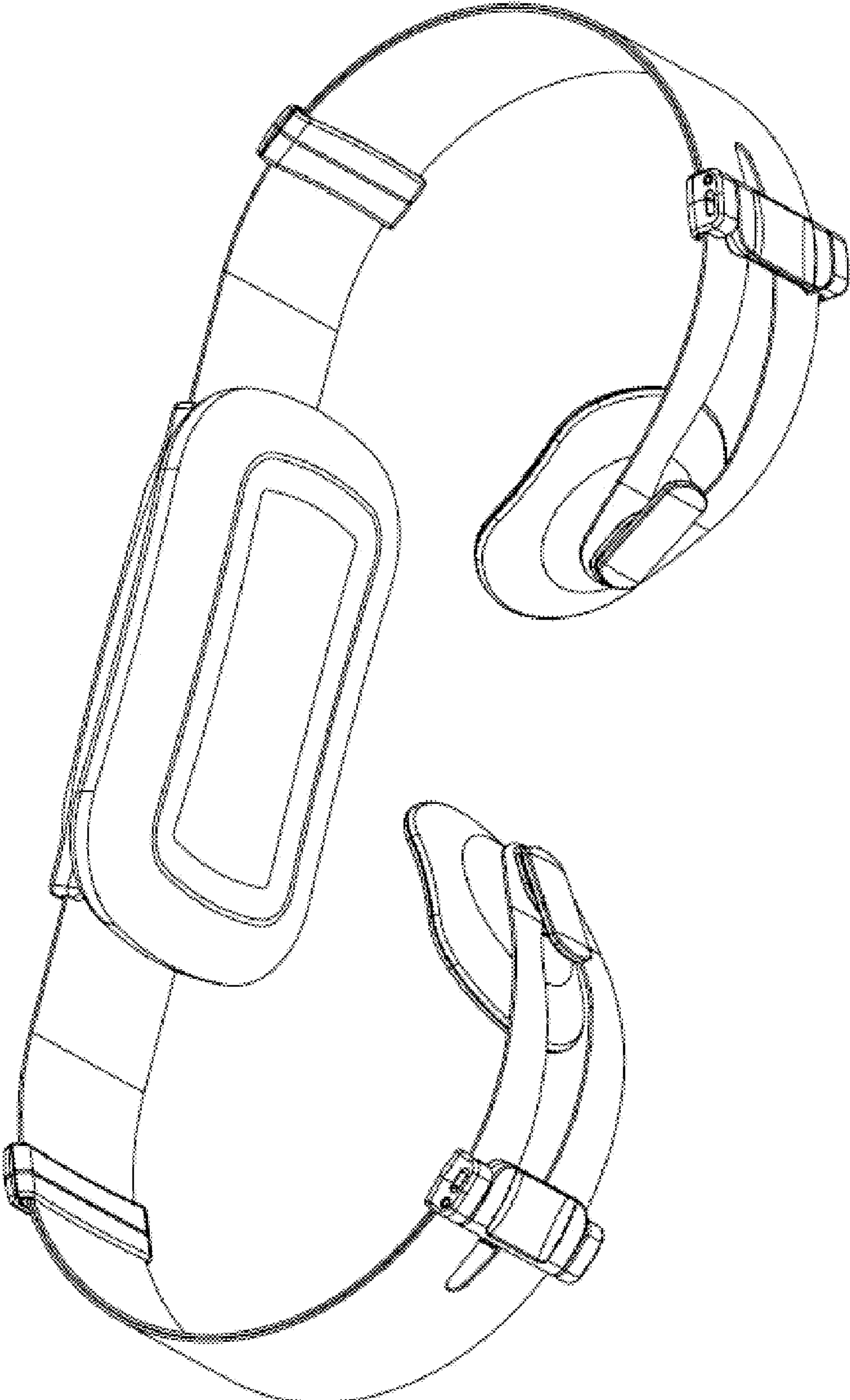


Figure 1

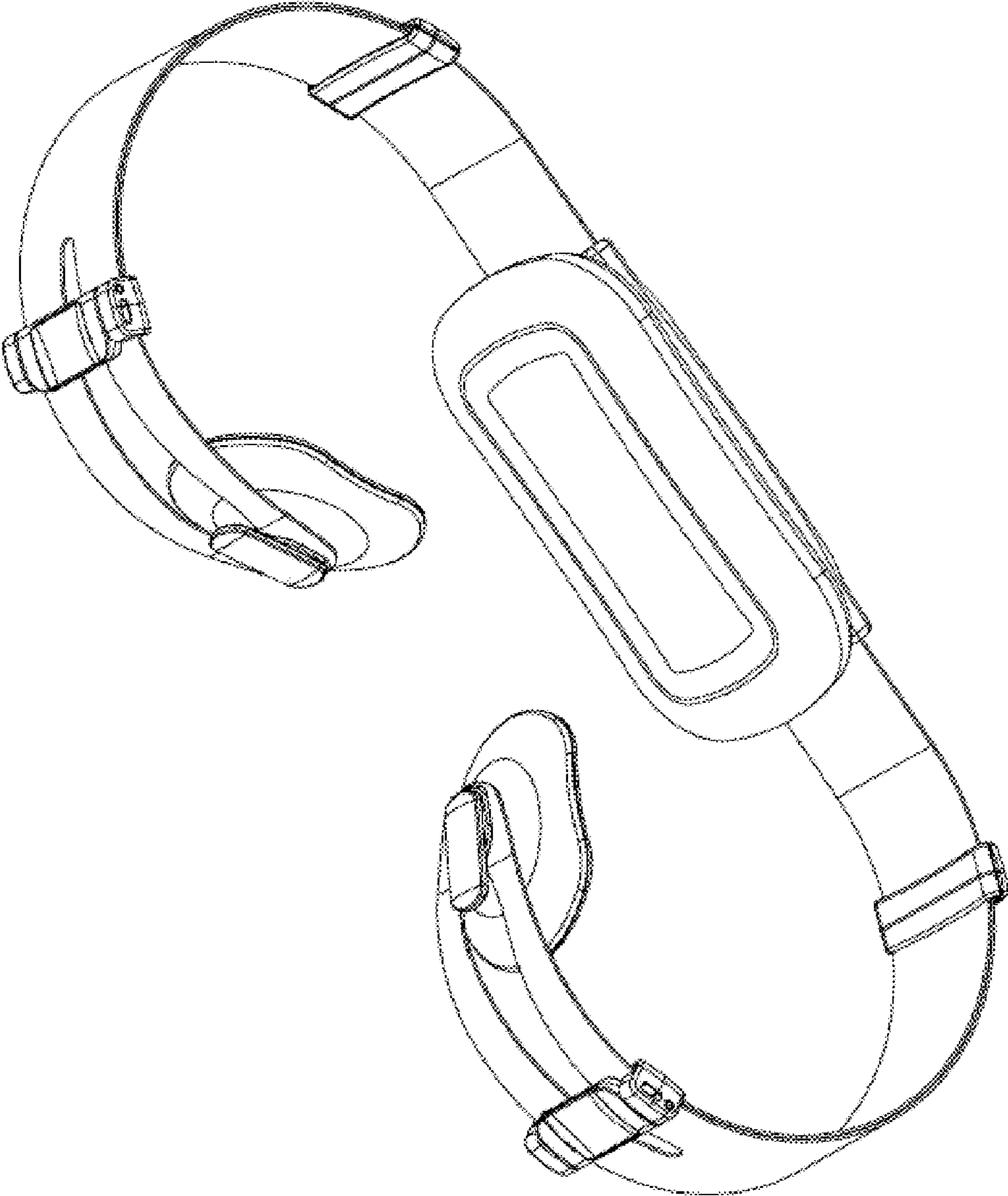


Figure 2

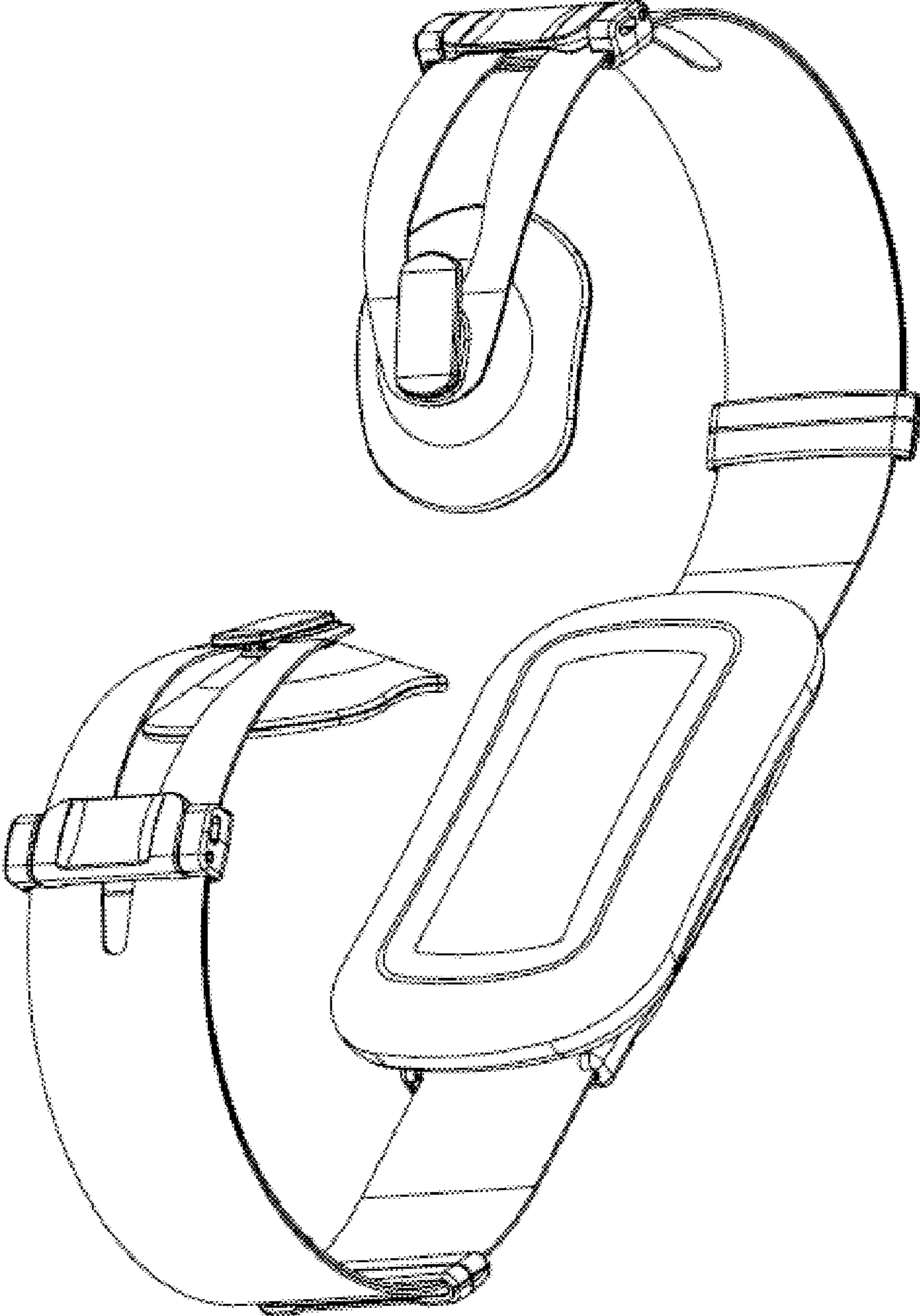


Figure 3

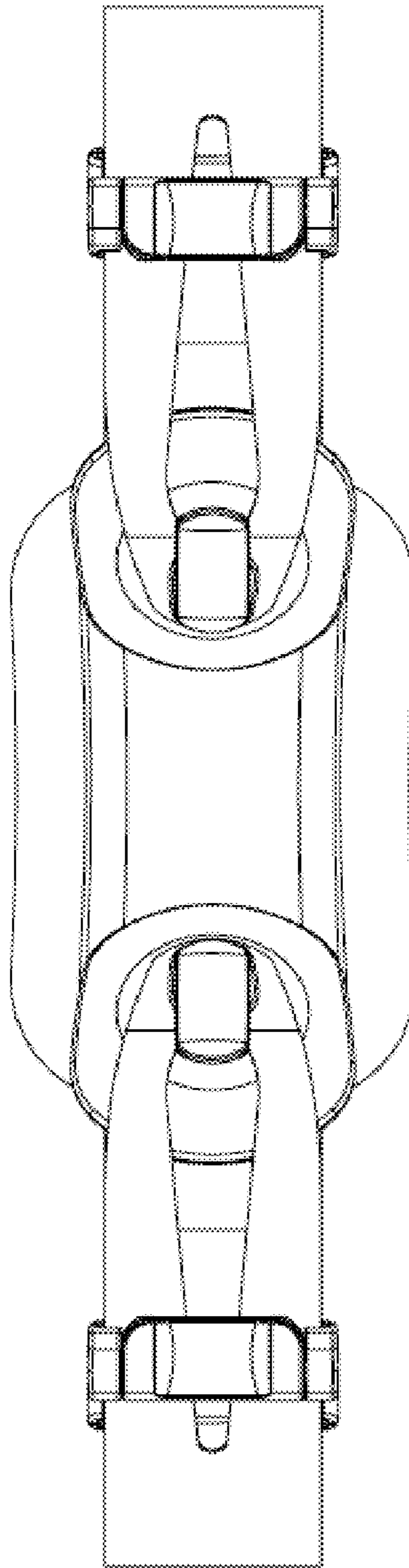


Figure 4

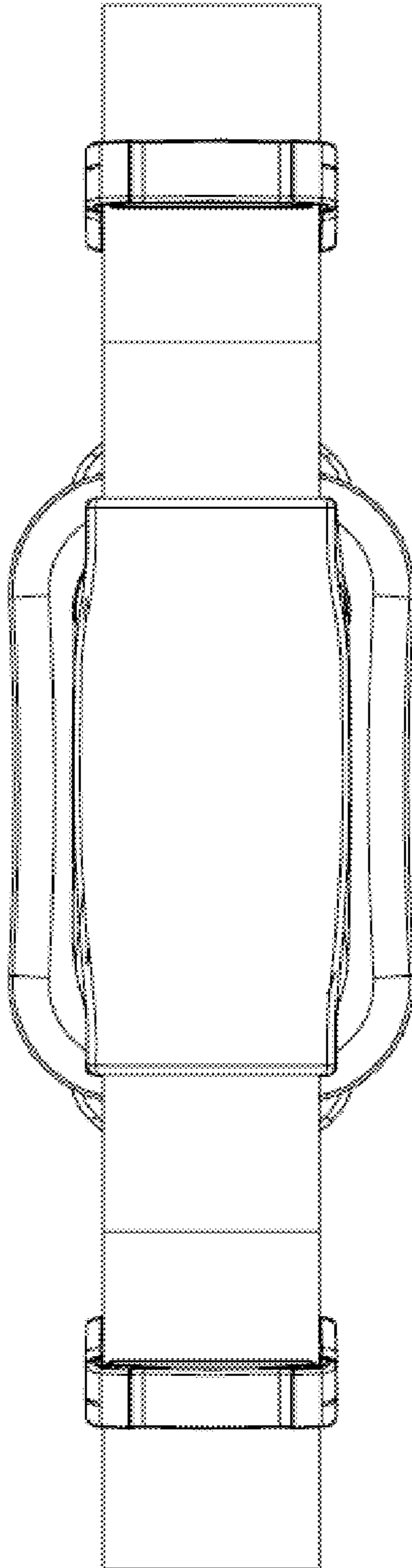


Figure 5

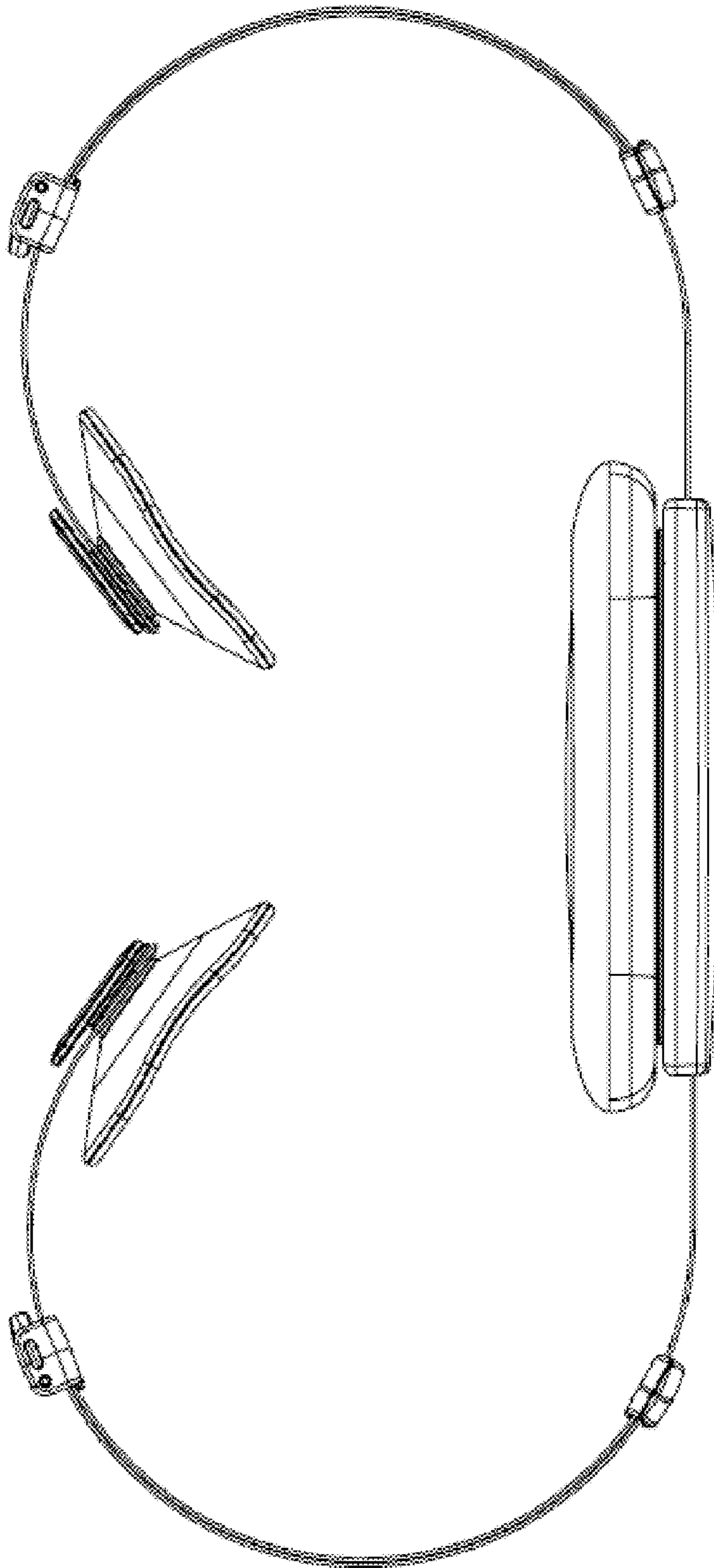


Figure 6

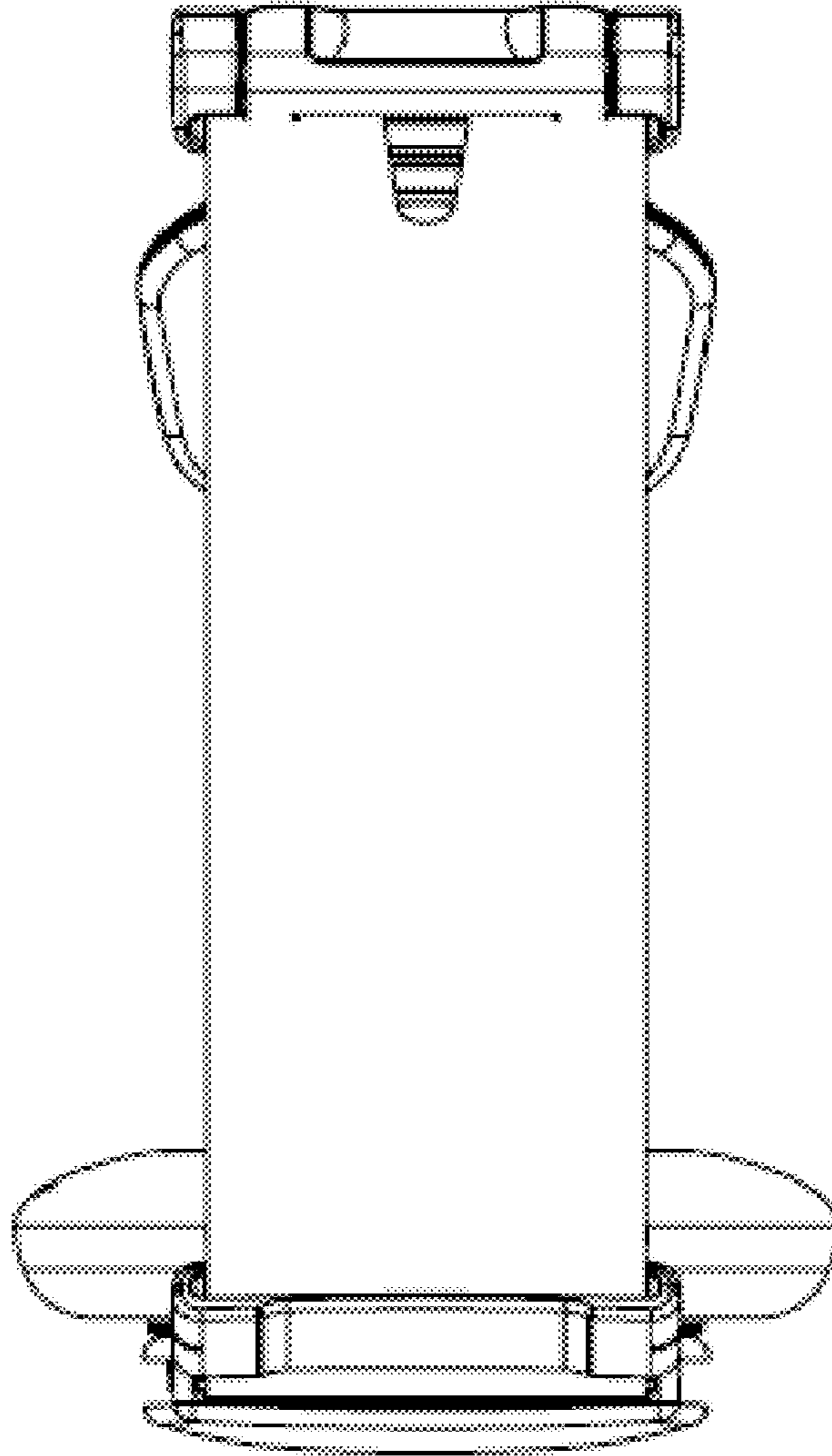


Figure 7

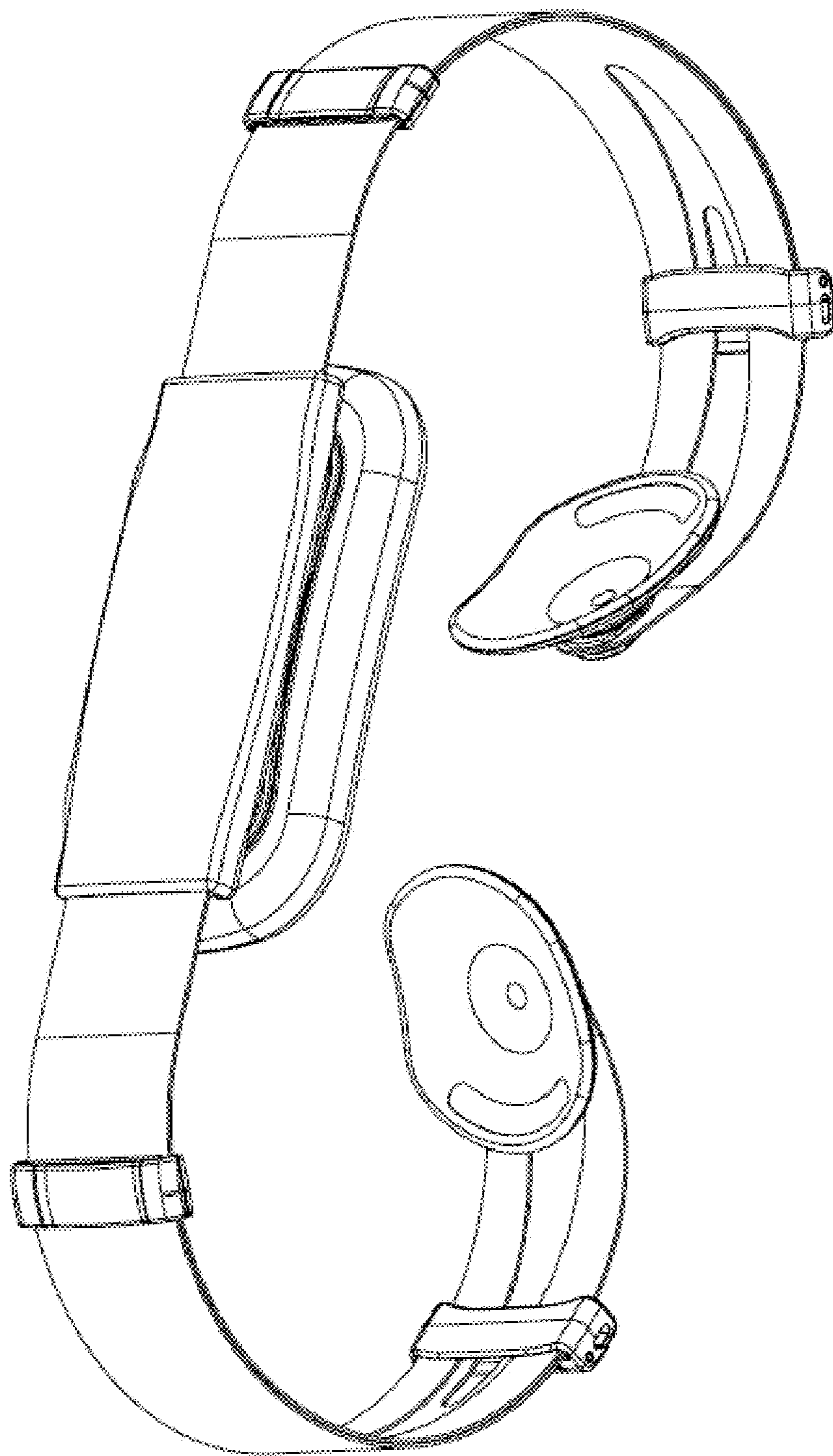


Figure 8

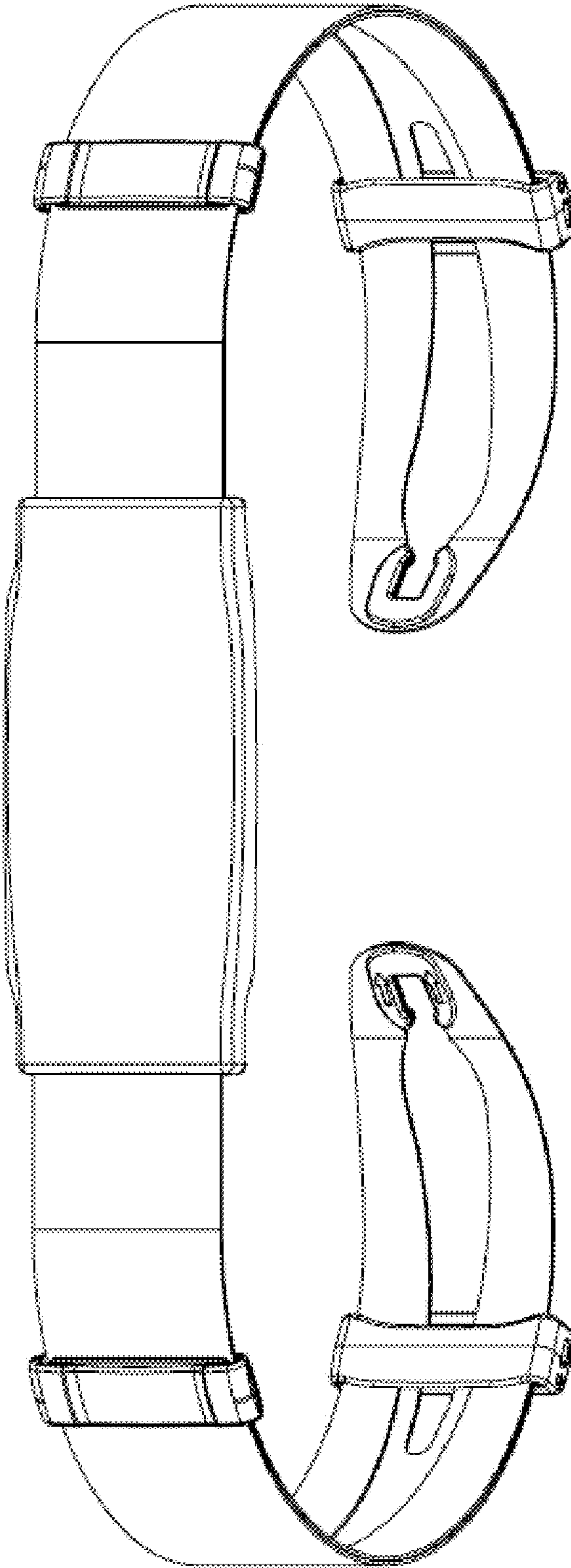


Figure 9

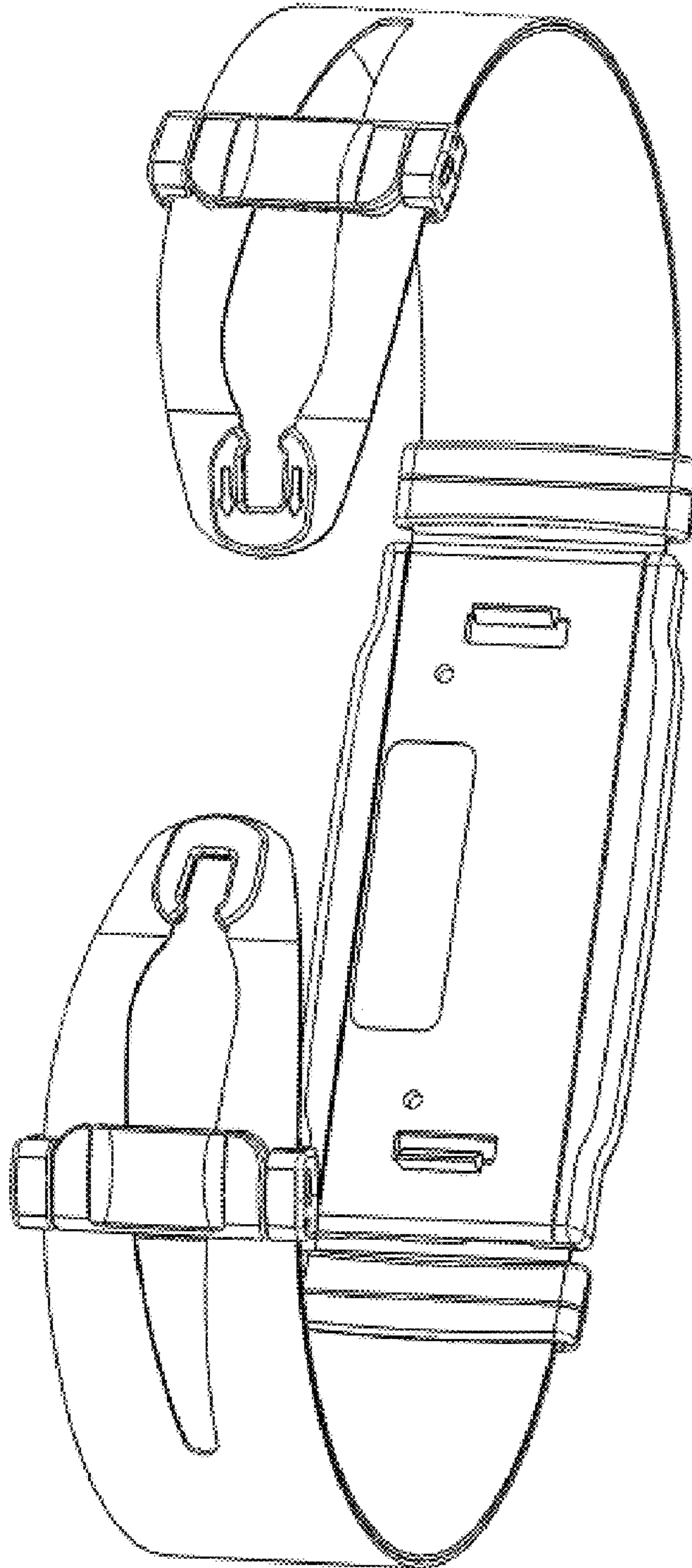


Figure 10

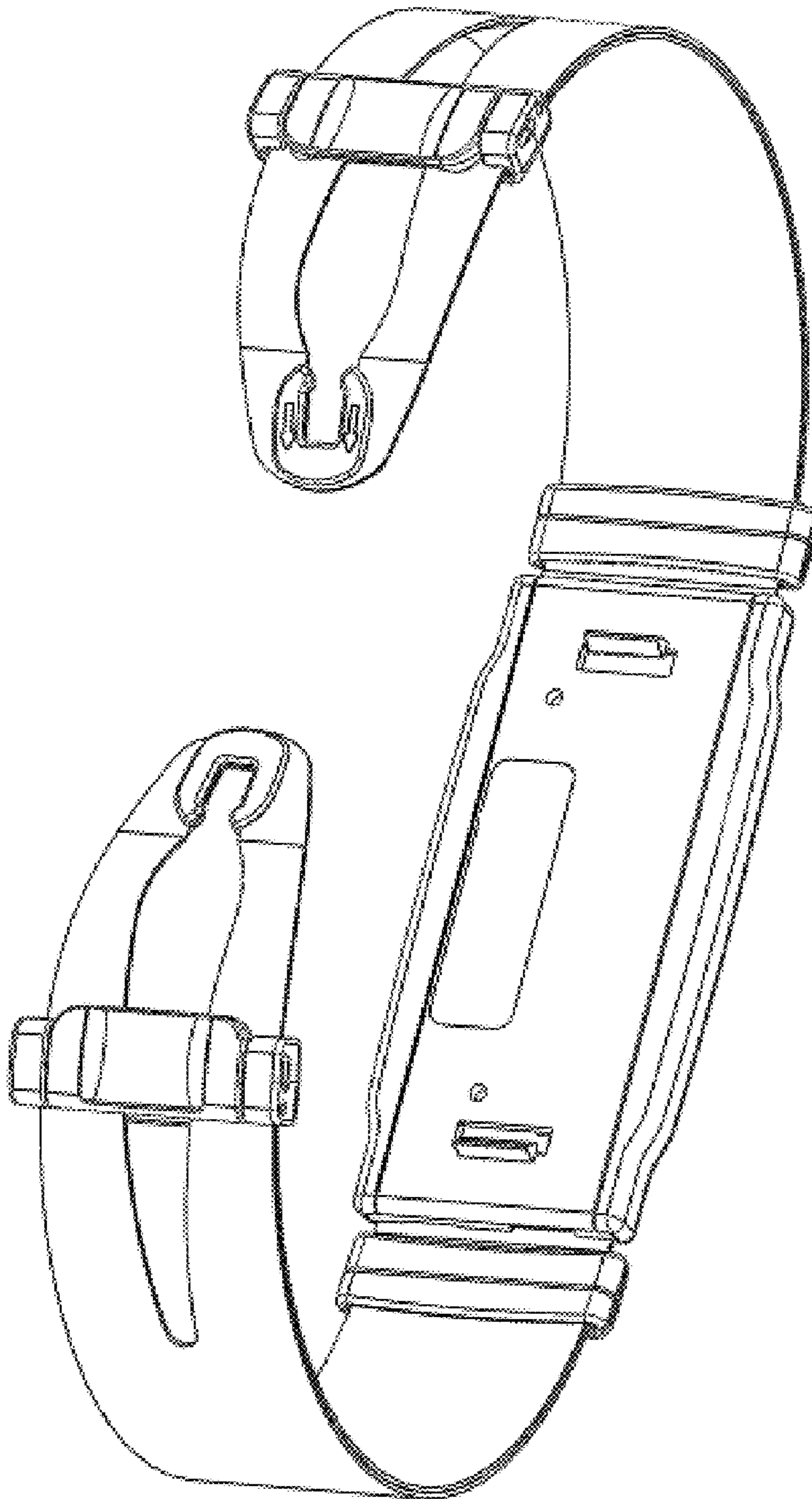


Figure 11

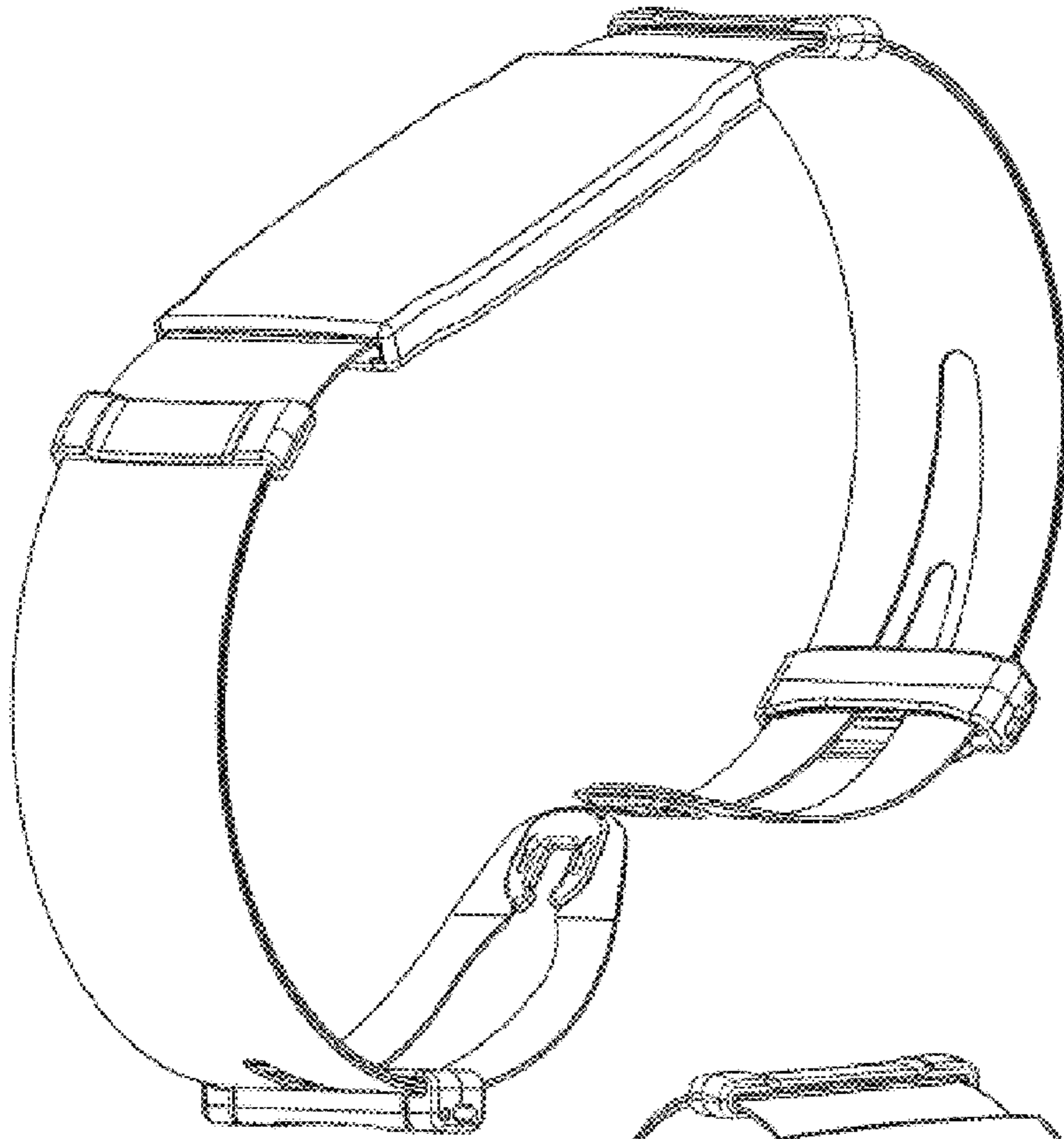


Figure 12

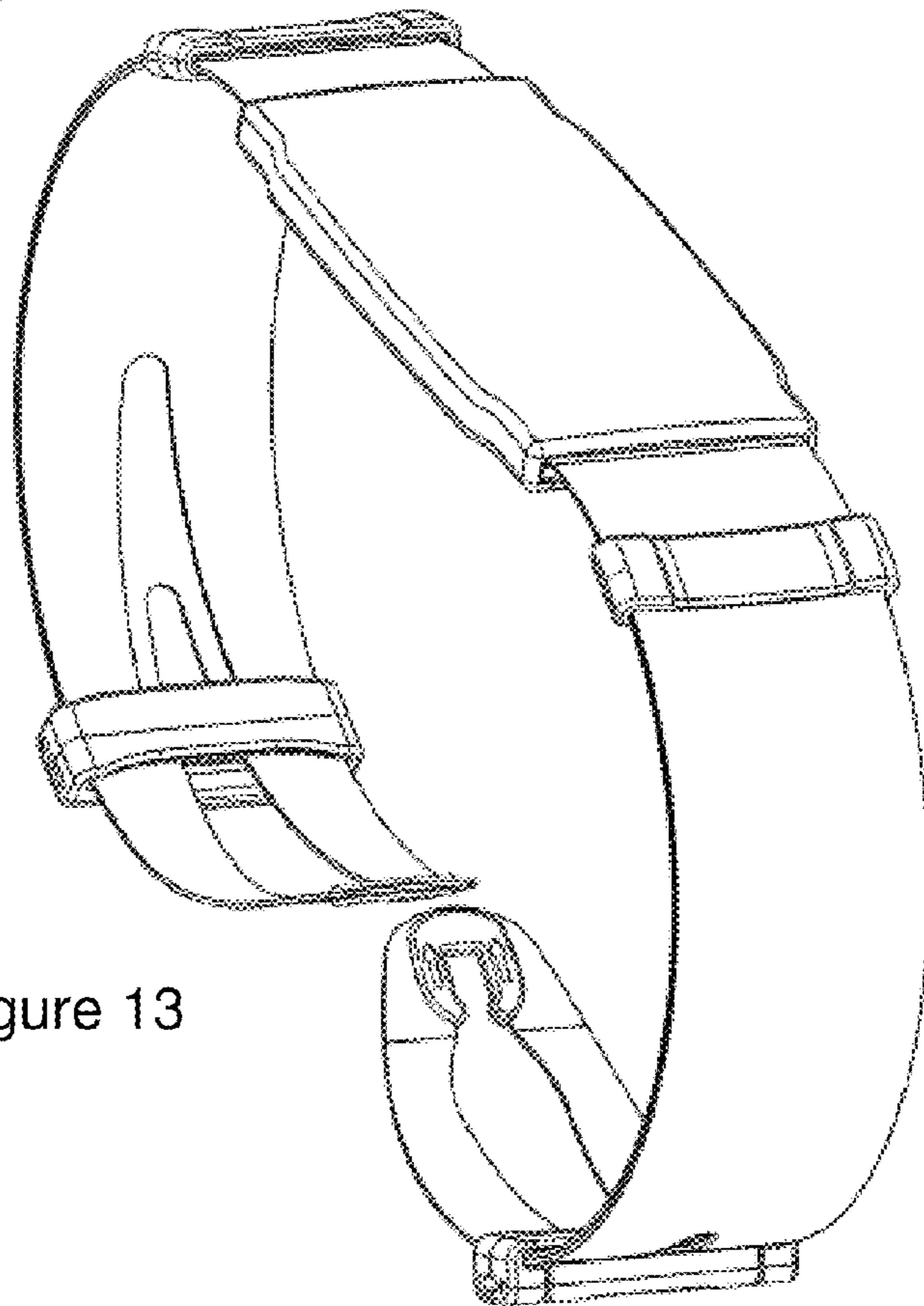


Figure 13

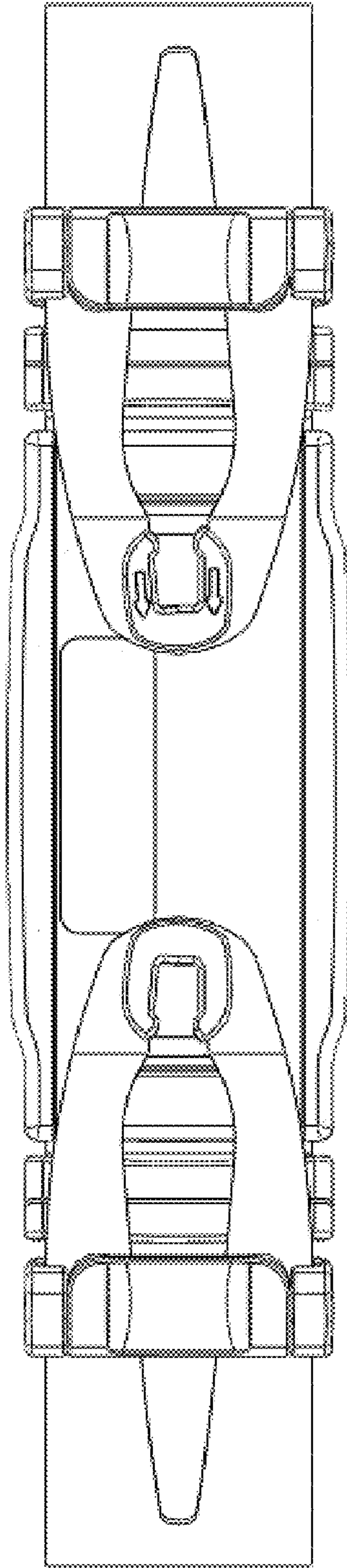


Figure 14

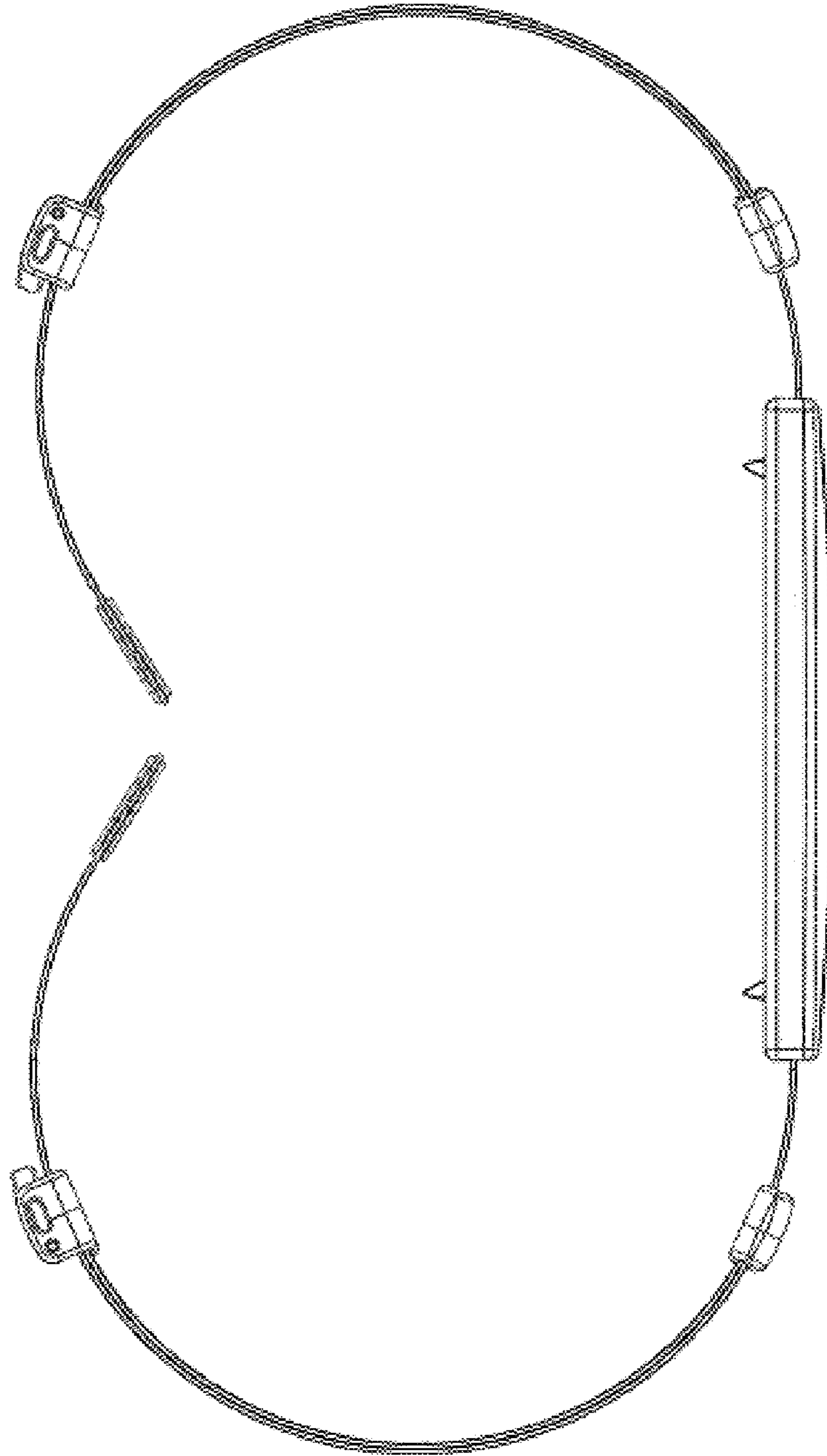


Figure 15

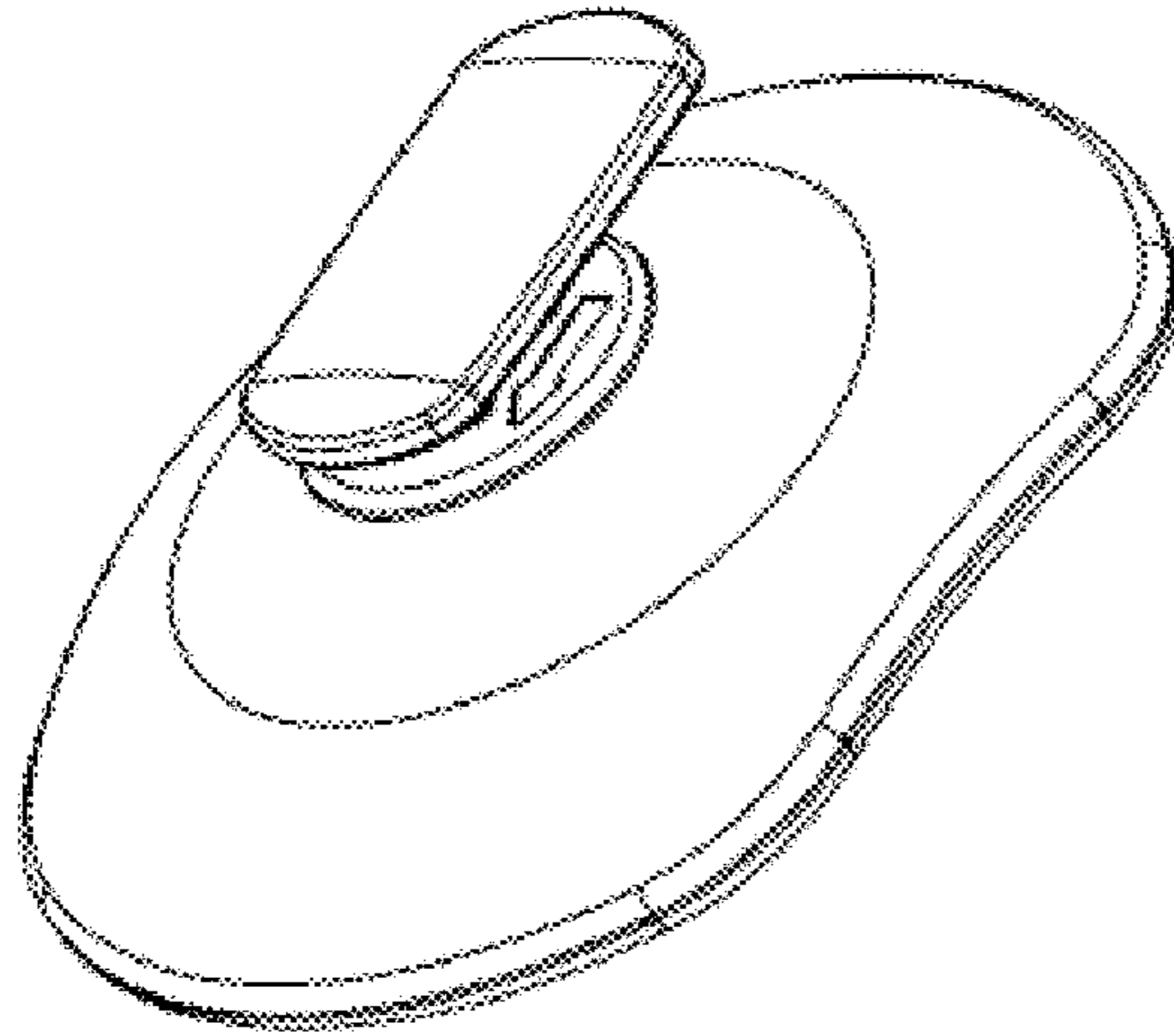


Figure 18

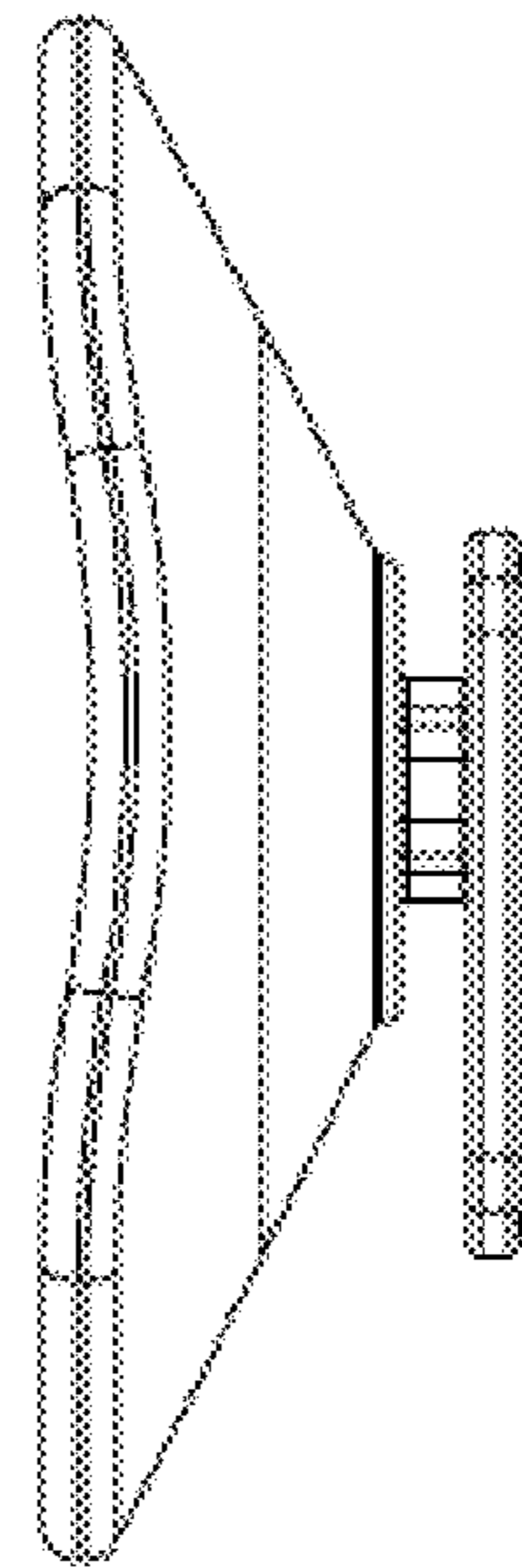


Figure 16

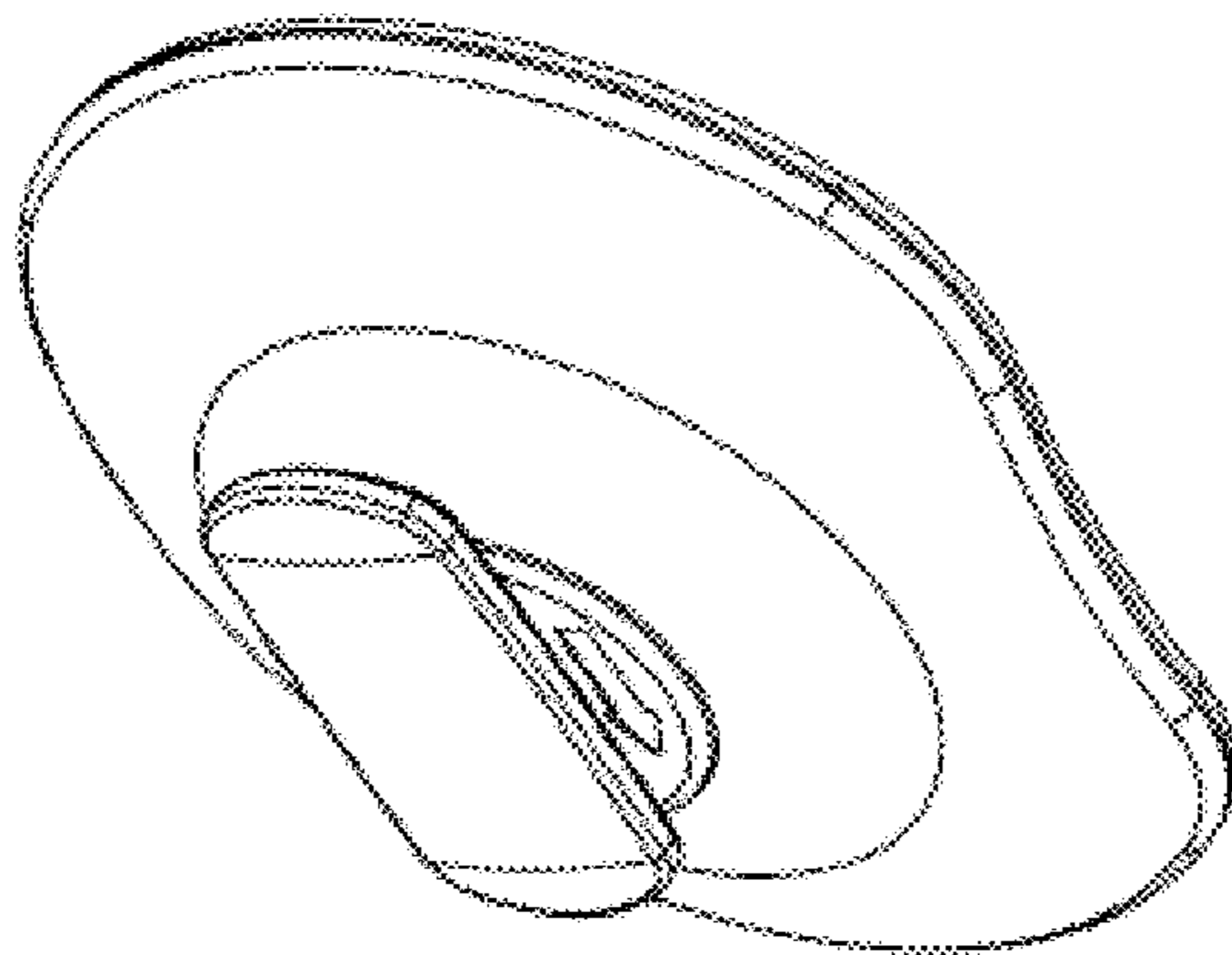


Figure 17

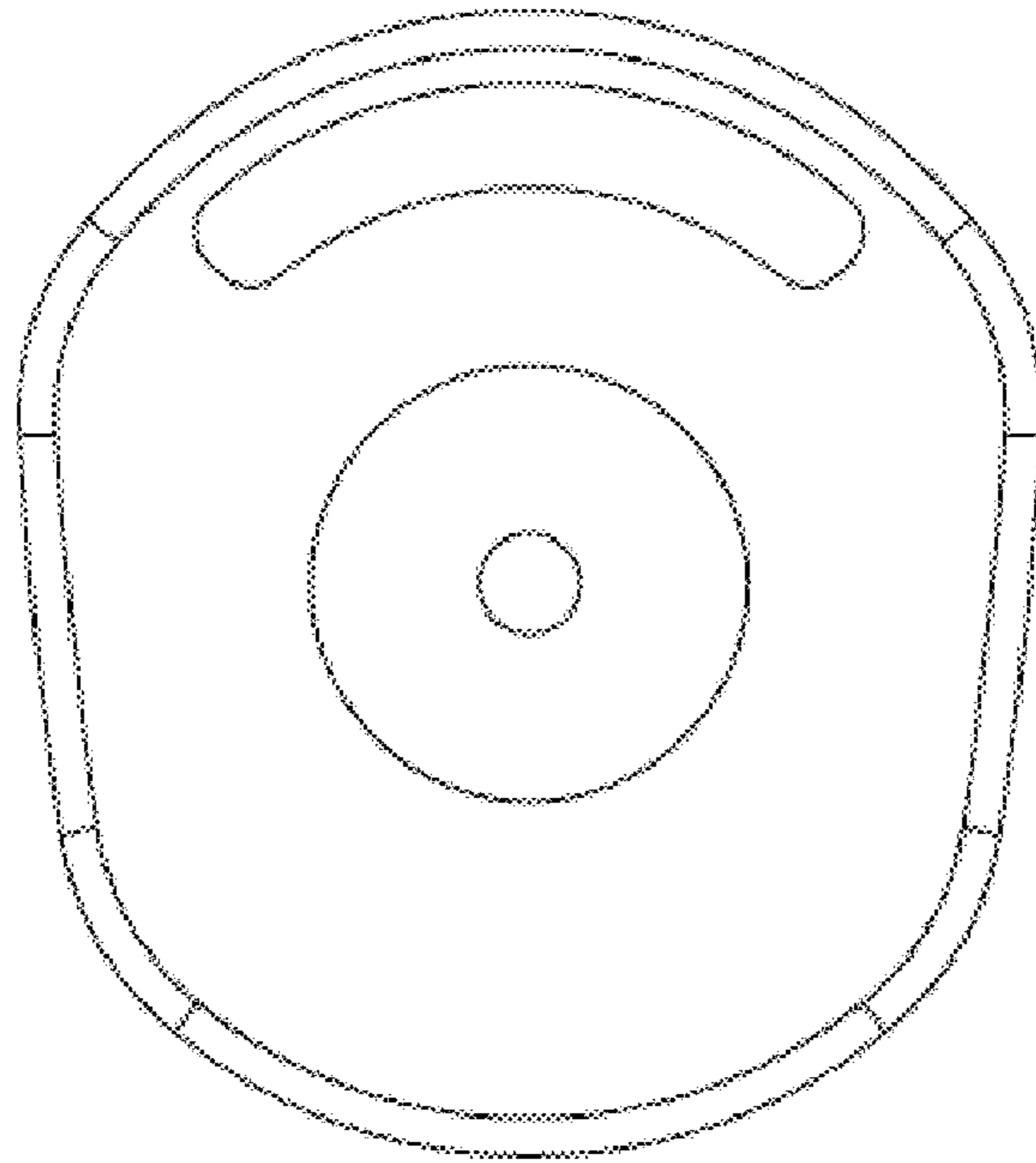


Figure 20

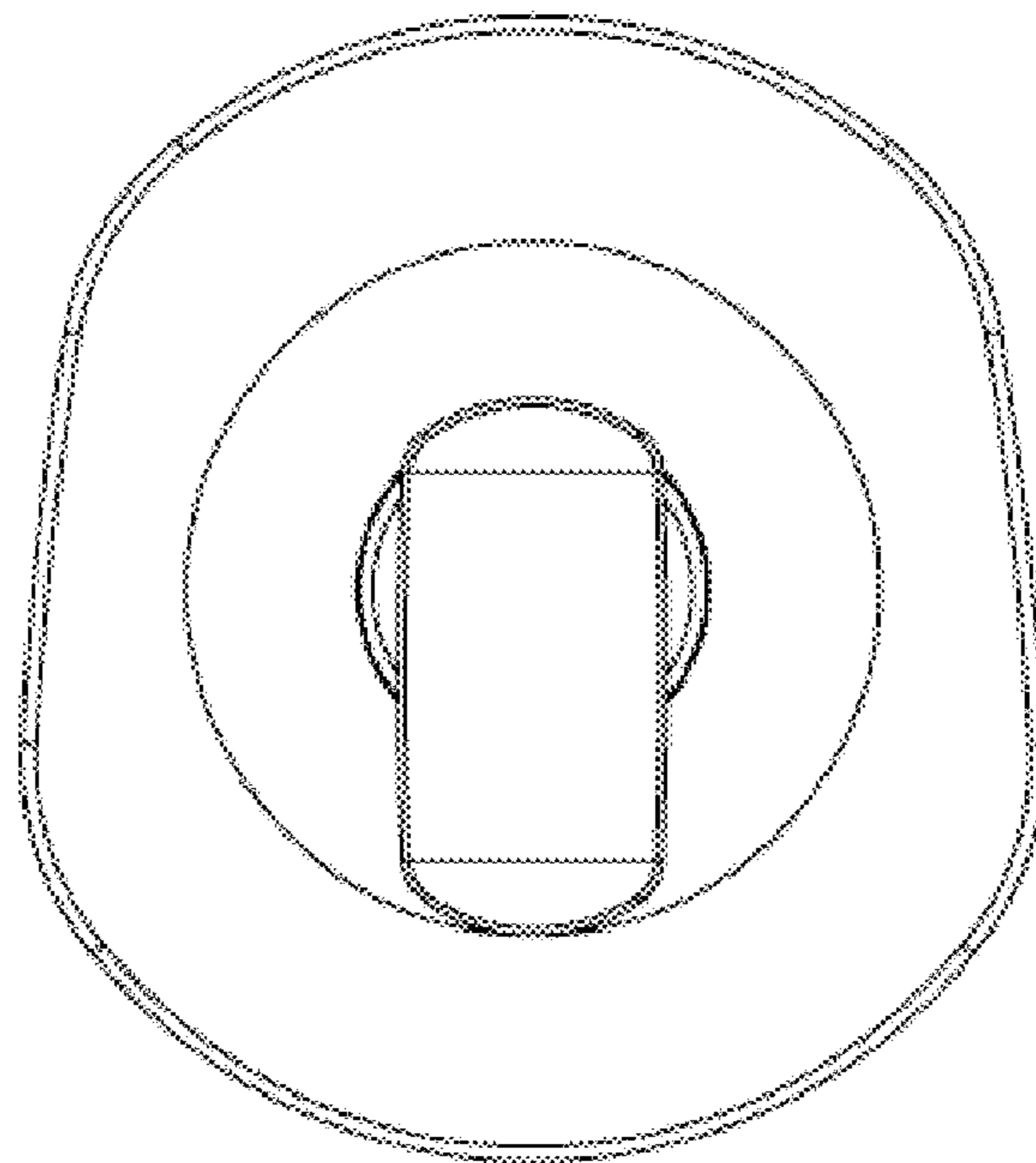


Figure 19

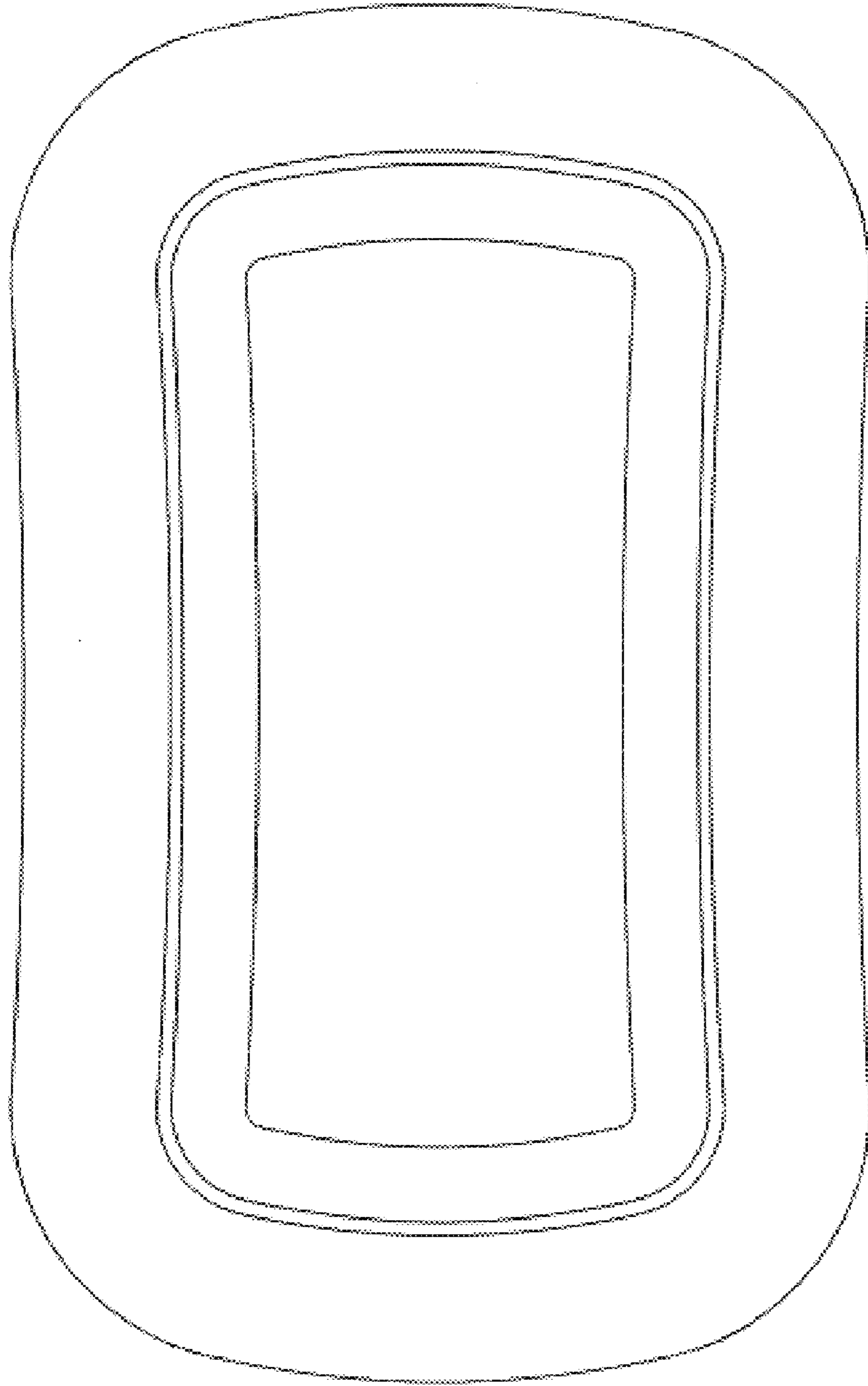


Figure 21

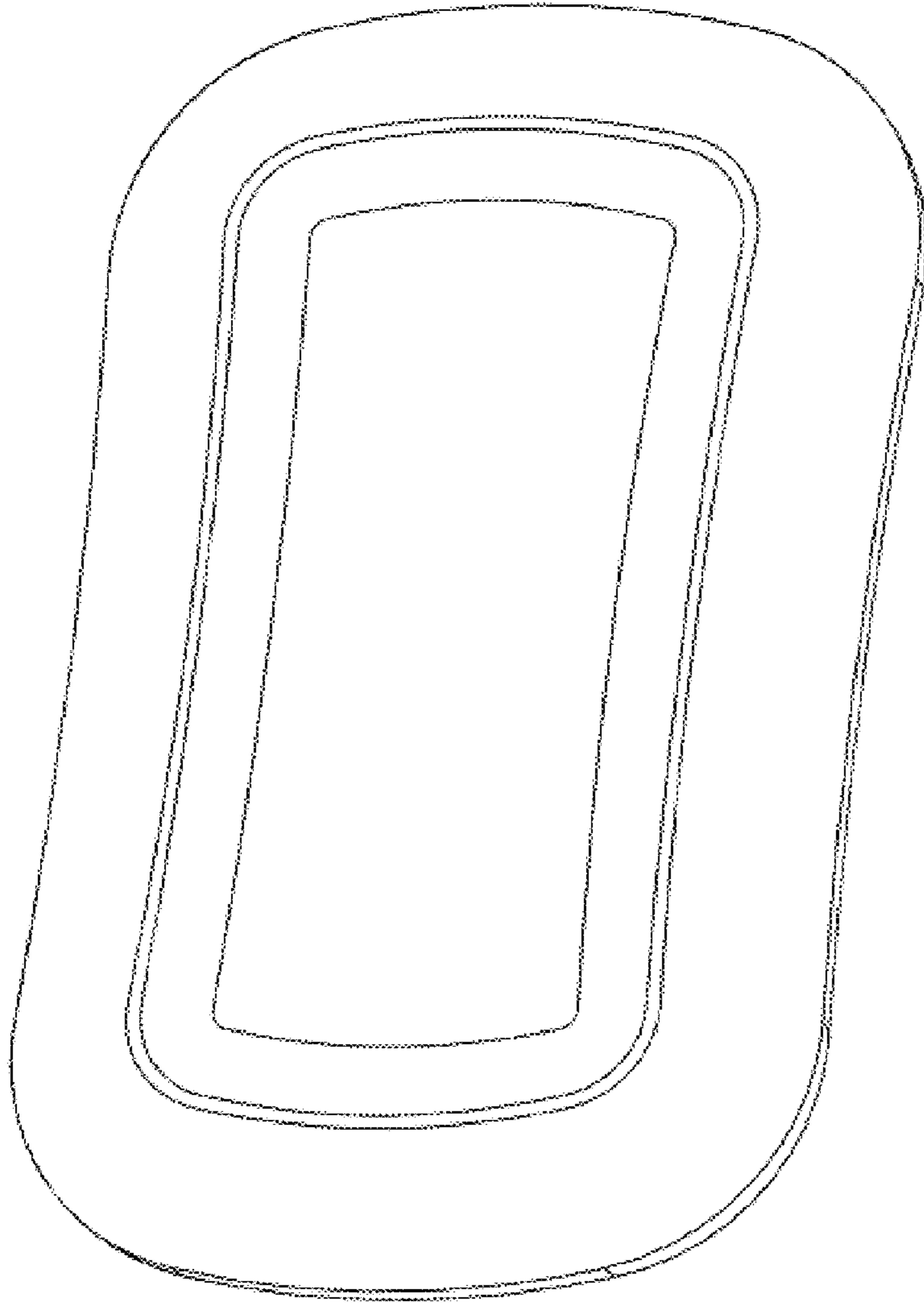


Figure 22

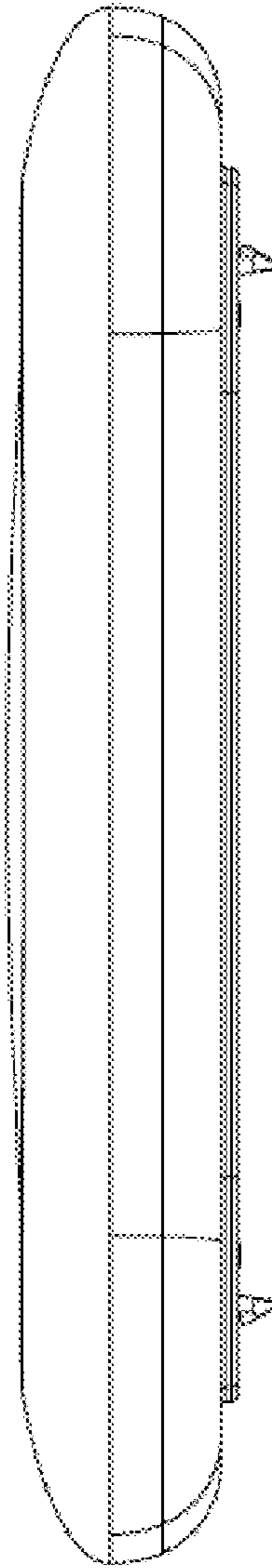


Figure 23

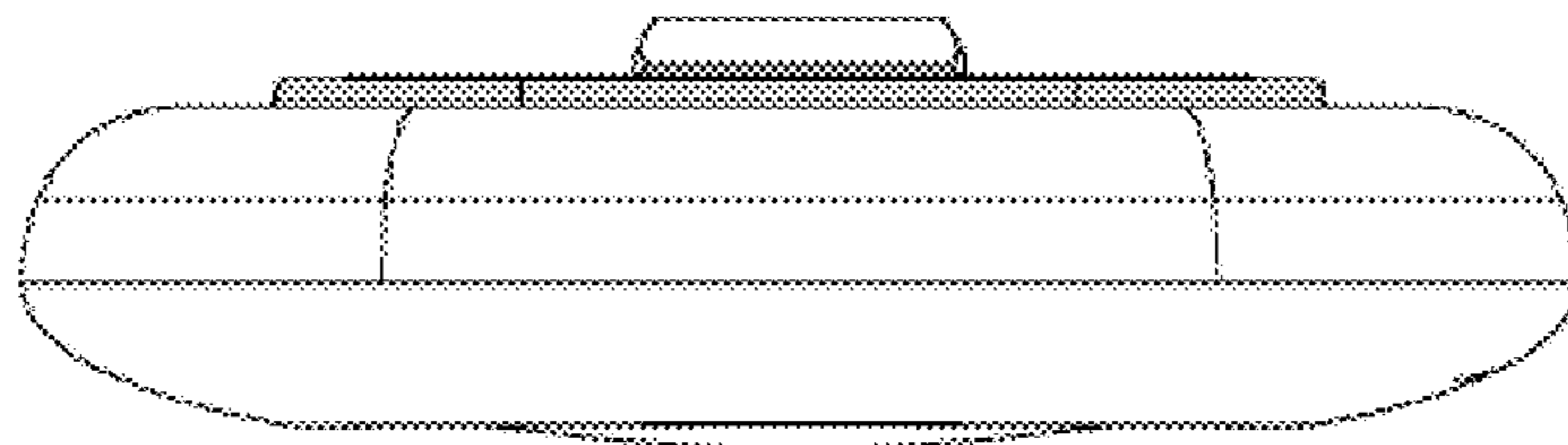


Figure 24

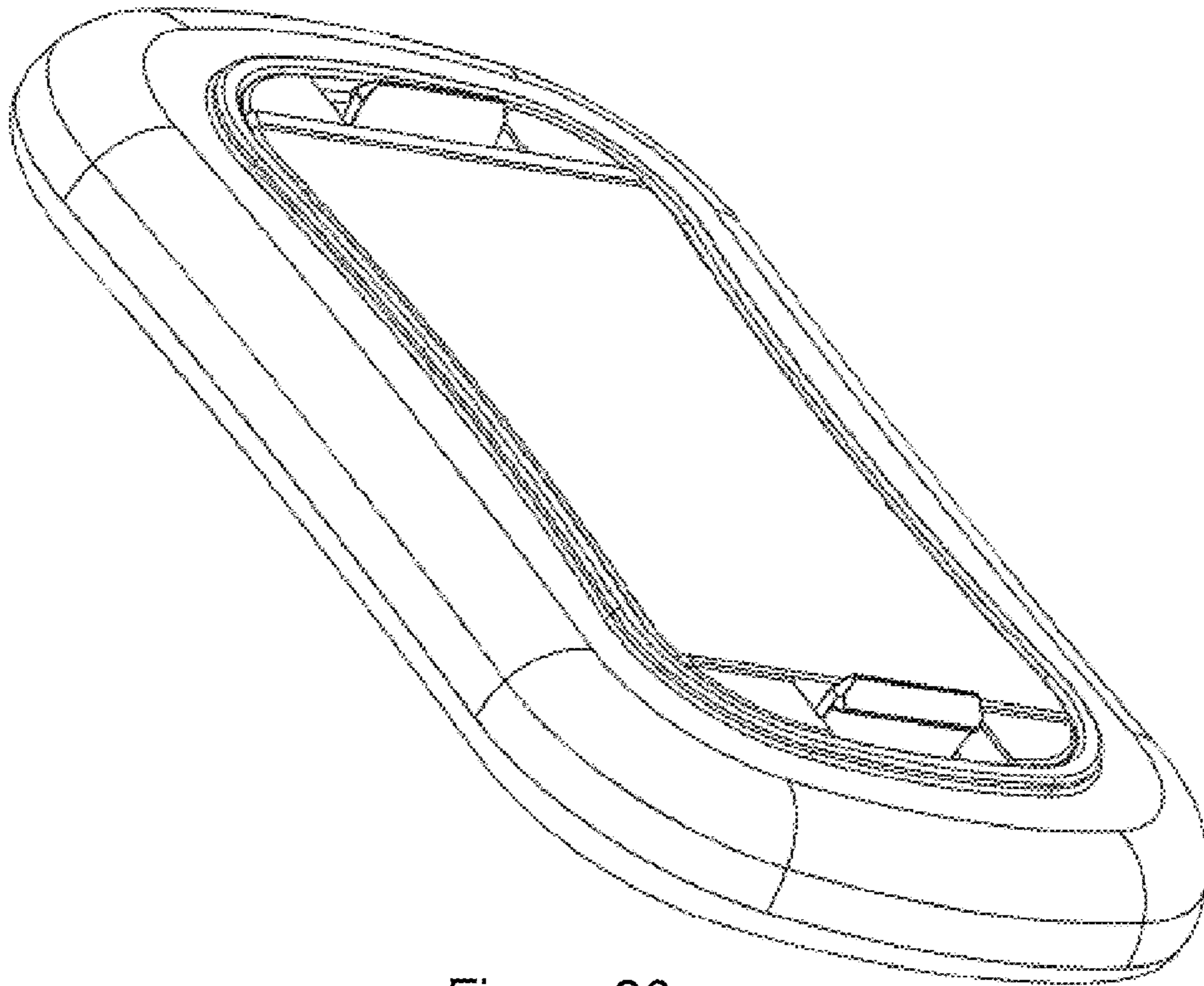


Figure 26

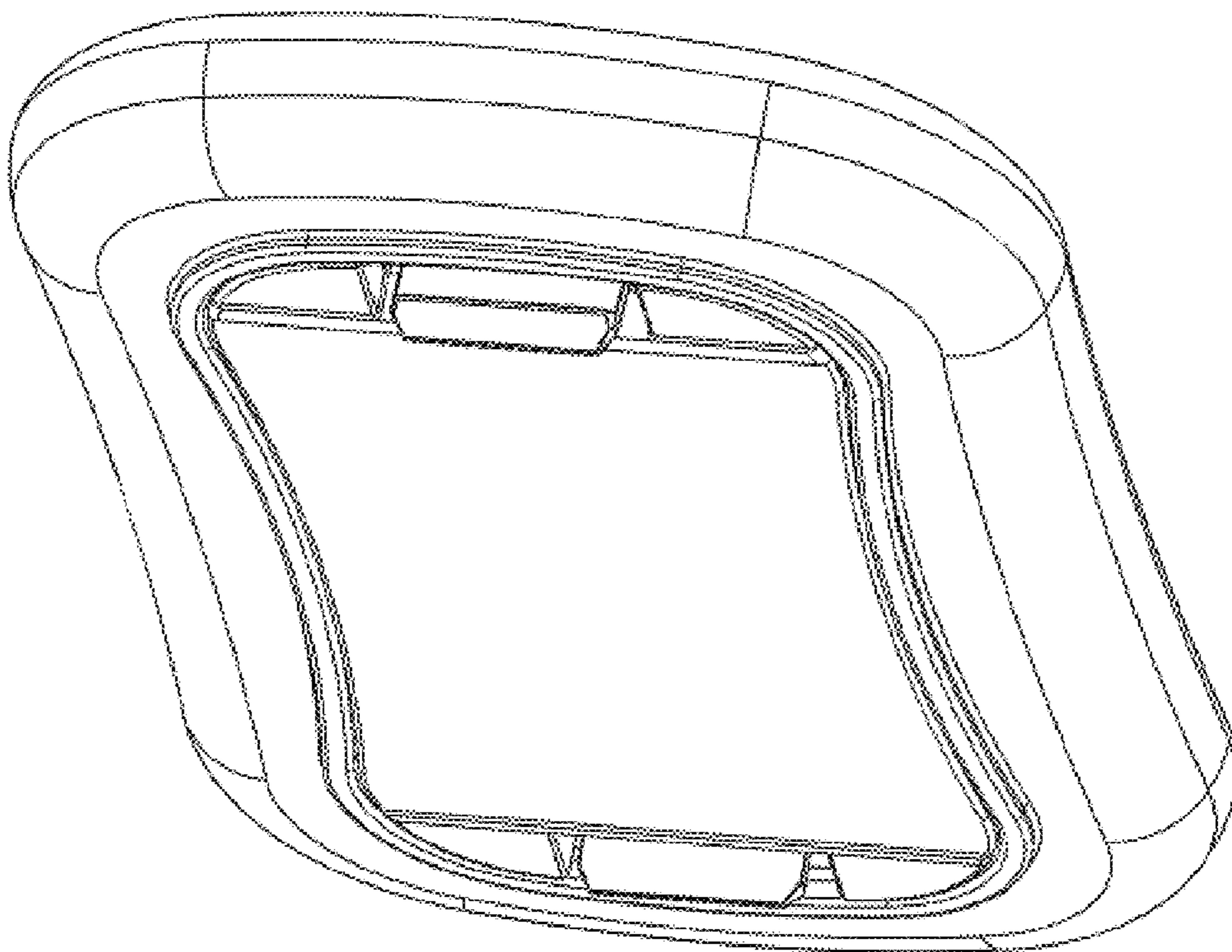


Figure 25

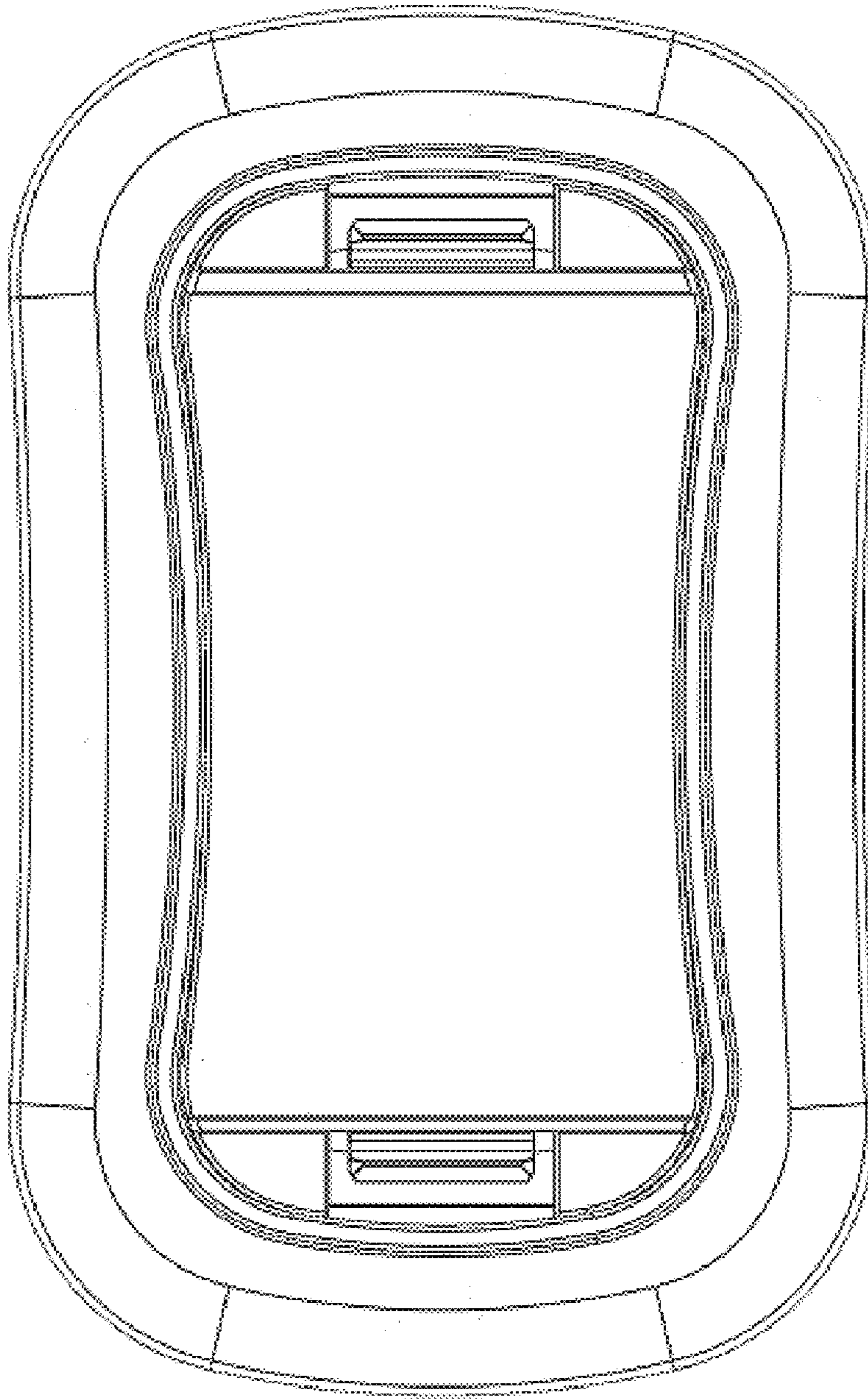


Figure 27

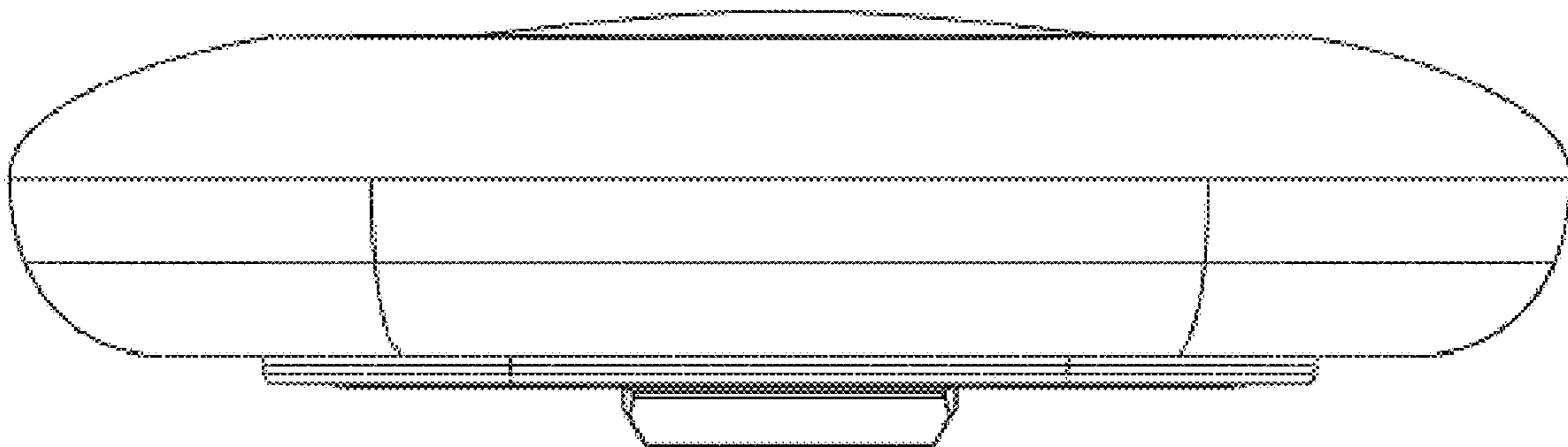


Figure 28