



US00D651714S

(12) **United States Design Patent**
Dougherty

(10) **Patent No.:** **US D651,714 S**

(45) **Date of Patent:** **** Jan. 3, 2012**

(54) **HYPERBARIC CHAMBER**

(75) Inventor: **Joseph Dougherty**, North Wildwood, NJ
(US)

(73) Assignee: **Environmental Tectonics Corporation**,
Southampton, PA (US)

(**) Term: **14 Years**

(21) Appl. No.: **29/388,720**

(22) Filed: **Mar. 31, 2011**

(51) **LOC (9) Cl.** **24-01**

(52) **U.S. Cl.** **D24/164; D24/163**

(58) **Field of Classification Search** D24/163,
D24/164, 165, 169, 216, 231, 232, 201, 202;
D10/50; 600/21, 22; 119/311; 128/202.12,
128/205.26; 435/286.6, 303.1
See application file for complete search history.

(56) **References Cited**

U.S. PATENT DOCUMENTS

D234,375 S *	2/1975	Grimes	D24/163
4,321,913 A *	3/1982	Maluta et al.	600/22
4,750,474 A *	6/1988	Dukhan et al.	600/22
D346,864 S *	5/1994	Reneau	D24/164

D360,469 S *	7/1995	Panelli et al.	D24/202
D401,342 S *	11/1998	Allen	D24/164
5,899,846 A *	5/1999	Sternberg et al.	600/21
D415,278 S *	10/1999	Bowman	D24/164
D490,524 S *	5/2004	Berry et al.	D24/164
D567,948 S *	4/2008	Tierney et al.	D24/163
2010/0059059 A1 *	3/2010	Evans	128/205.26
2011/0048424 A1 *	3/2011	Radko	128/205.26

* cited by examiner

Primary Examiner — Anhdao Doan

(74) *Attorney, Agent, or Firm* — Lee & Hayes, PLLC

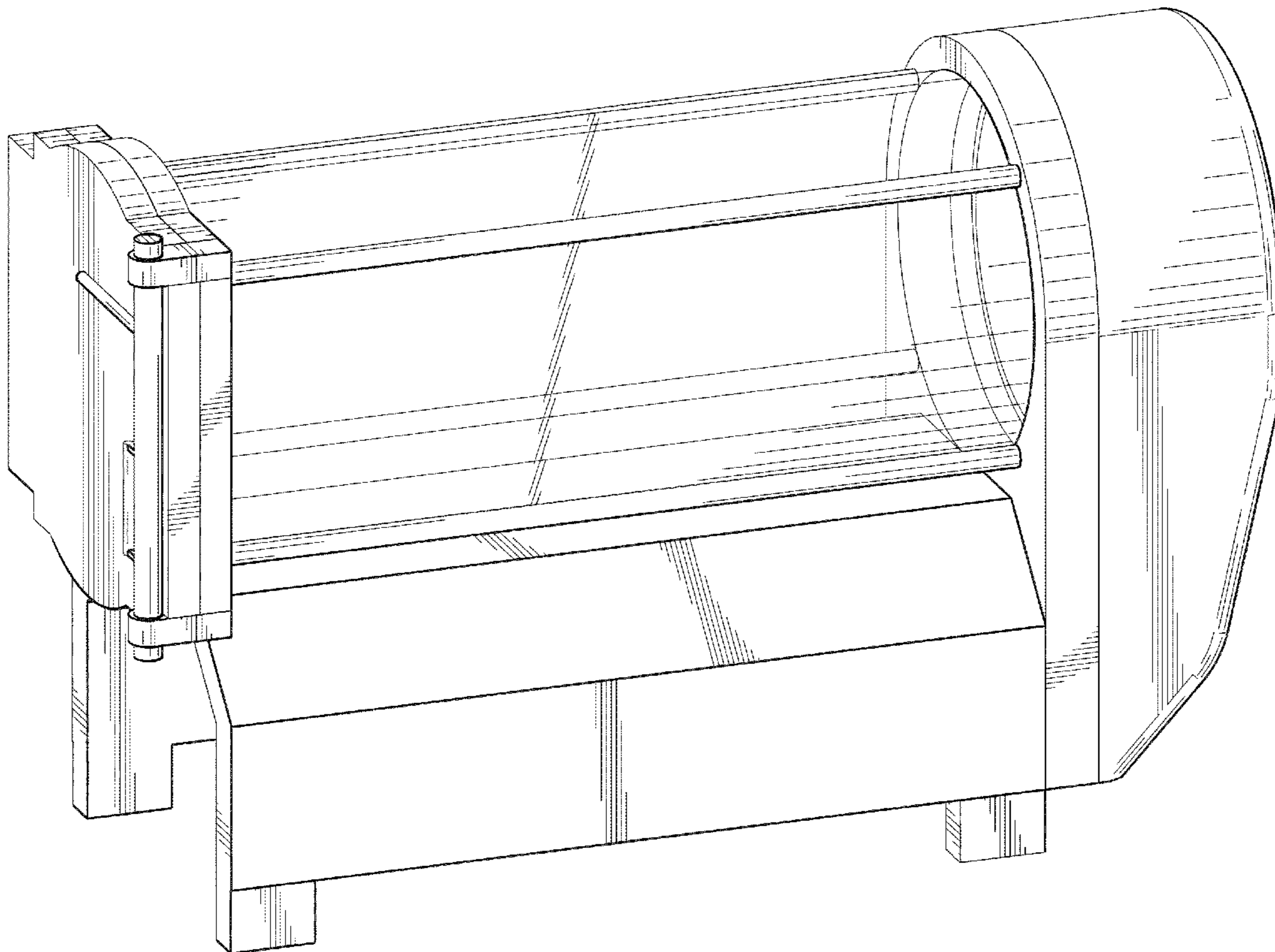
(57) **CLAIM**

The ornamental design for a hyperbaric chamber, as shown and described.

DESCRIPTION

FIG. 1 is a top, front and right-side perspective view of a hyperbaric chamber;
FIG. 2 is a top, rear and left-side perspective view thereof;
FIG. 3 is a right-side view thereof;
FIG. 4 is a rear view thereof;
FIG. 5 is a left-side view thereof;
FIG. 6 is a front view thereof; and,
FIG. 7 is a top view thereof.

1 Claim, 6 Drawing Sheets



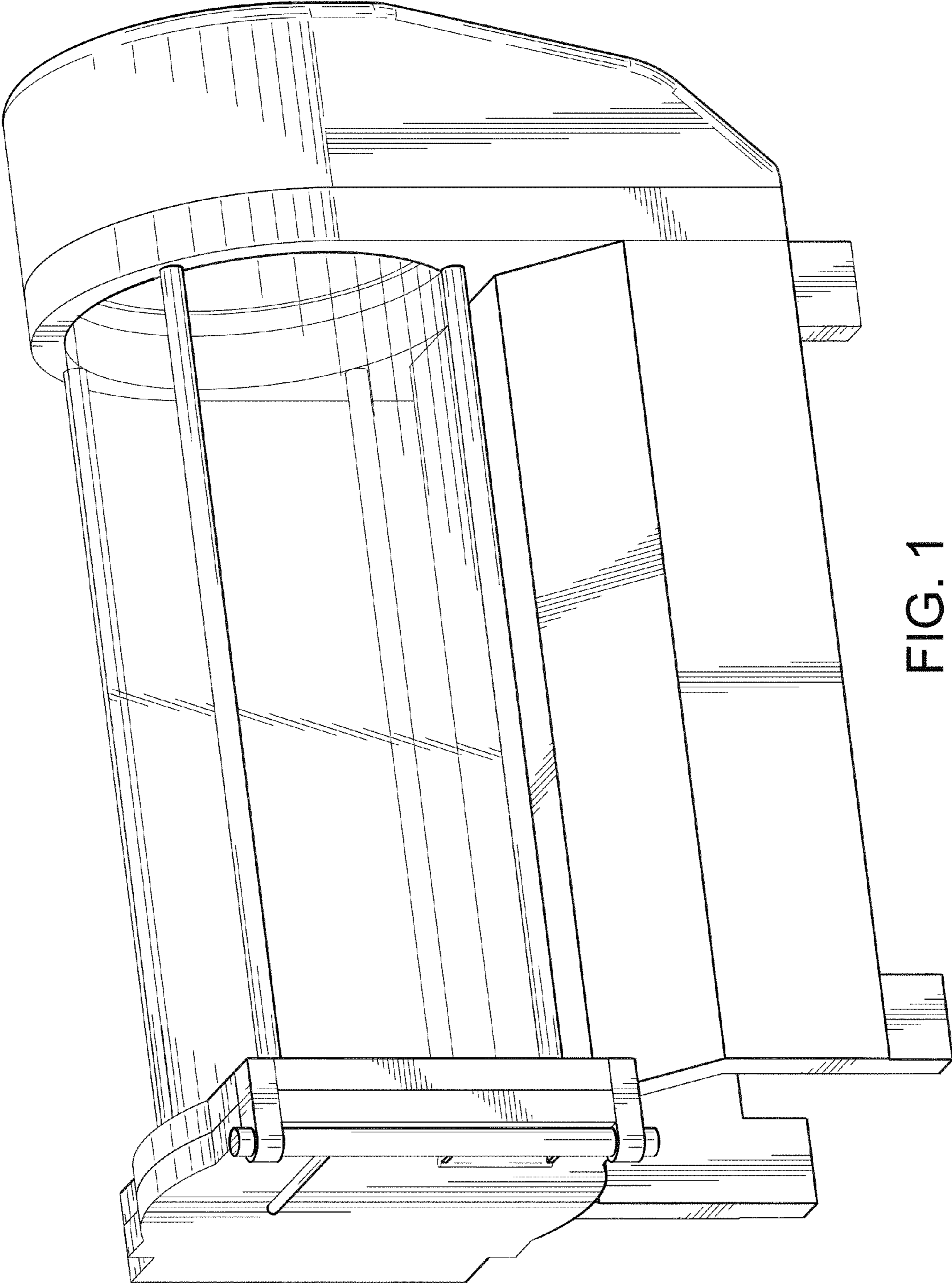


FIG. 1

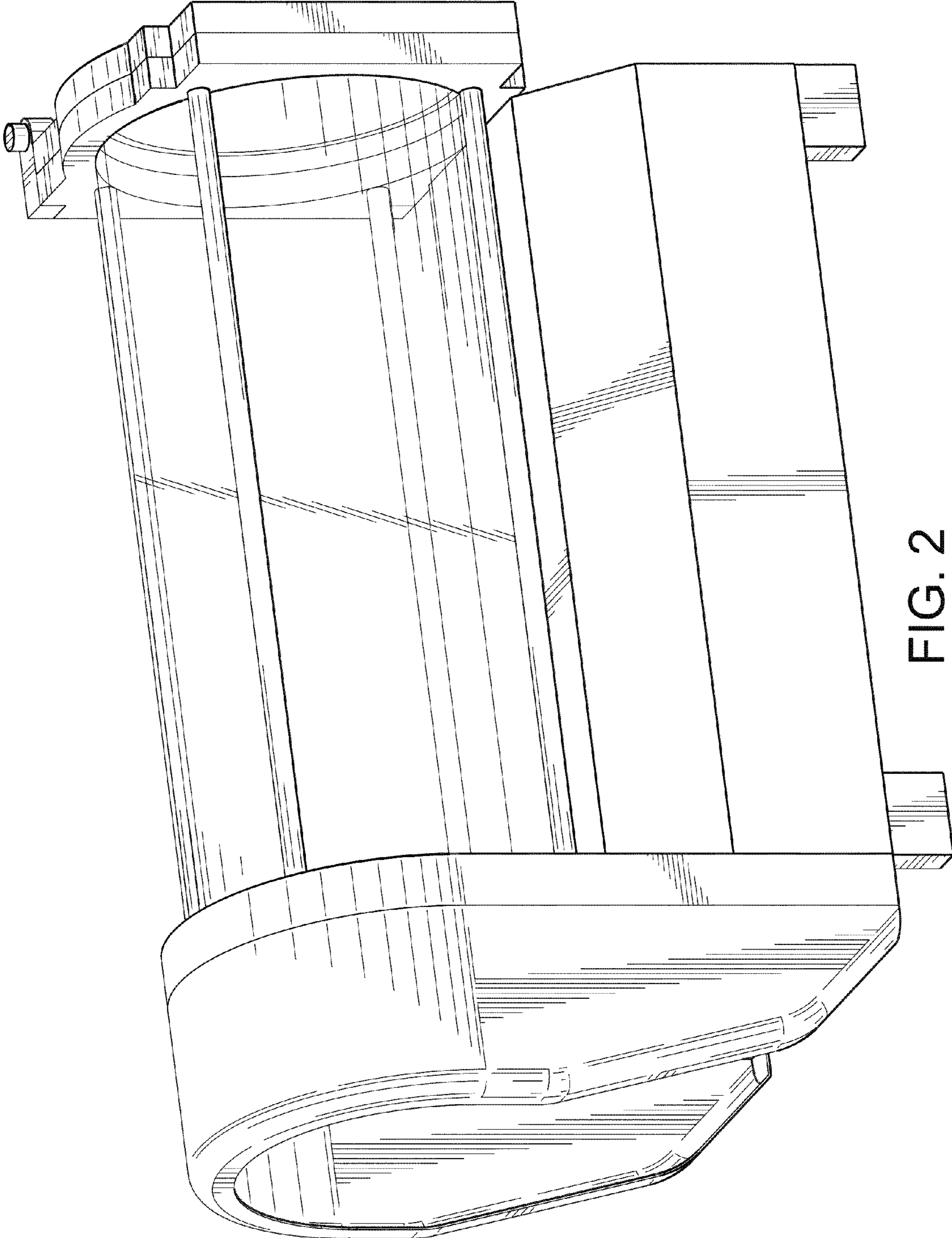


FIG. 2

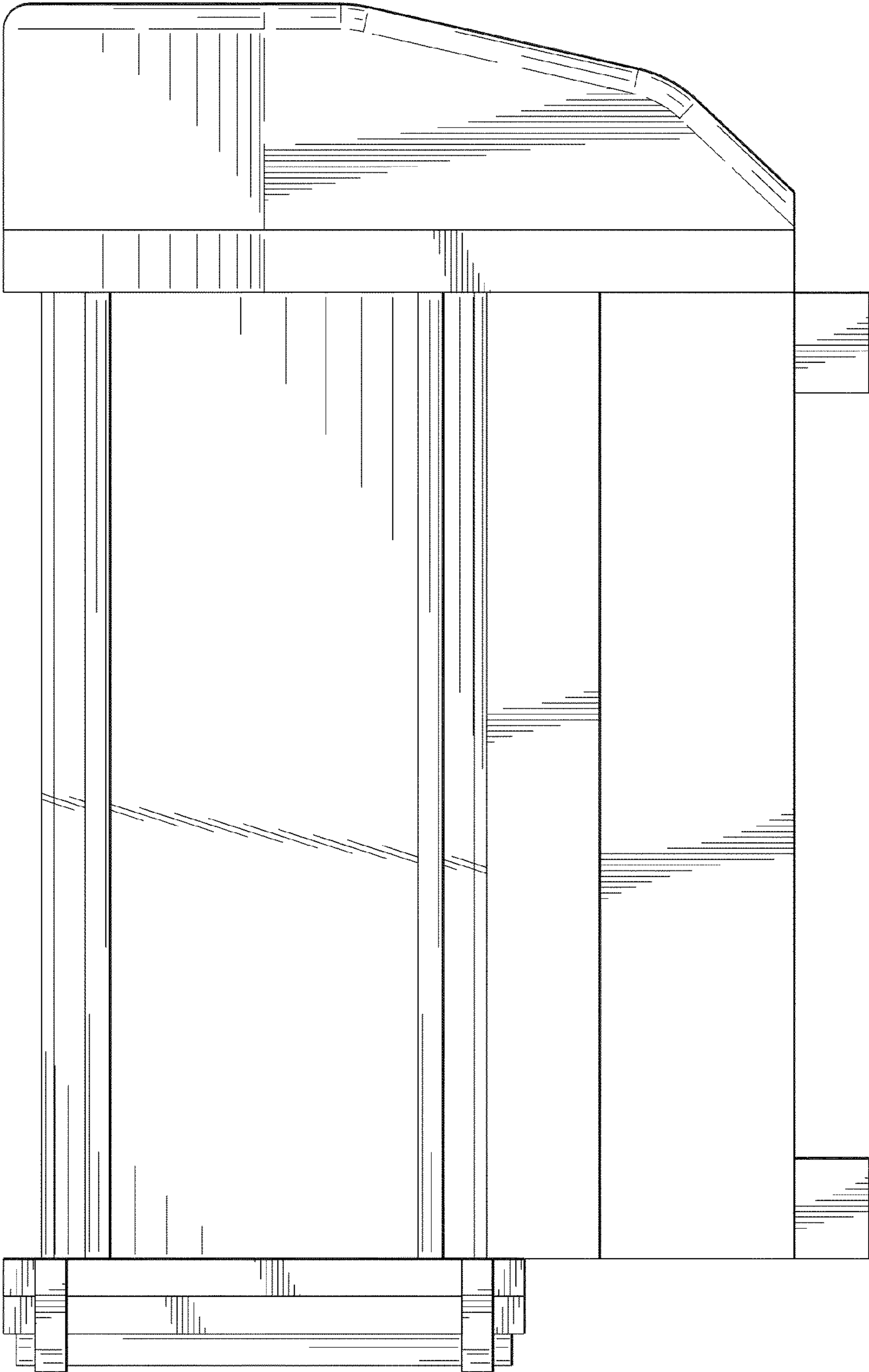


FIG. 3

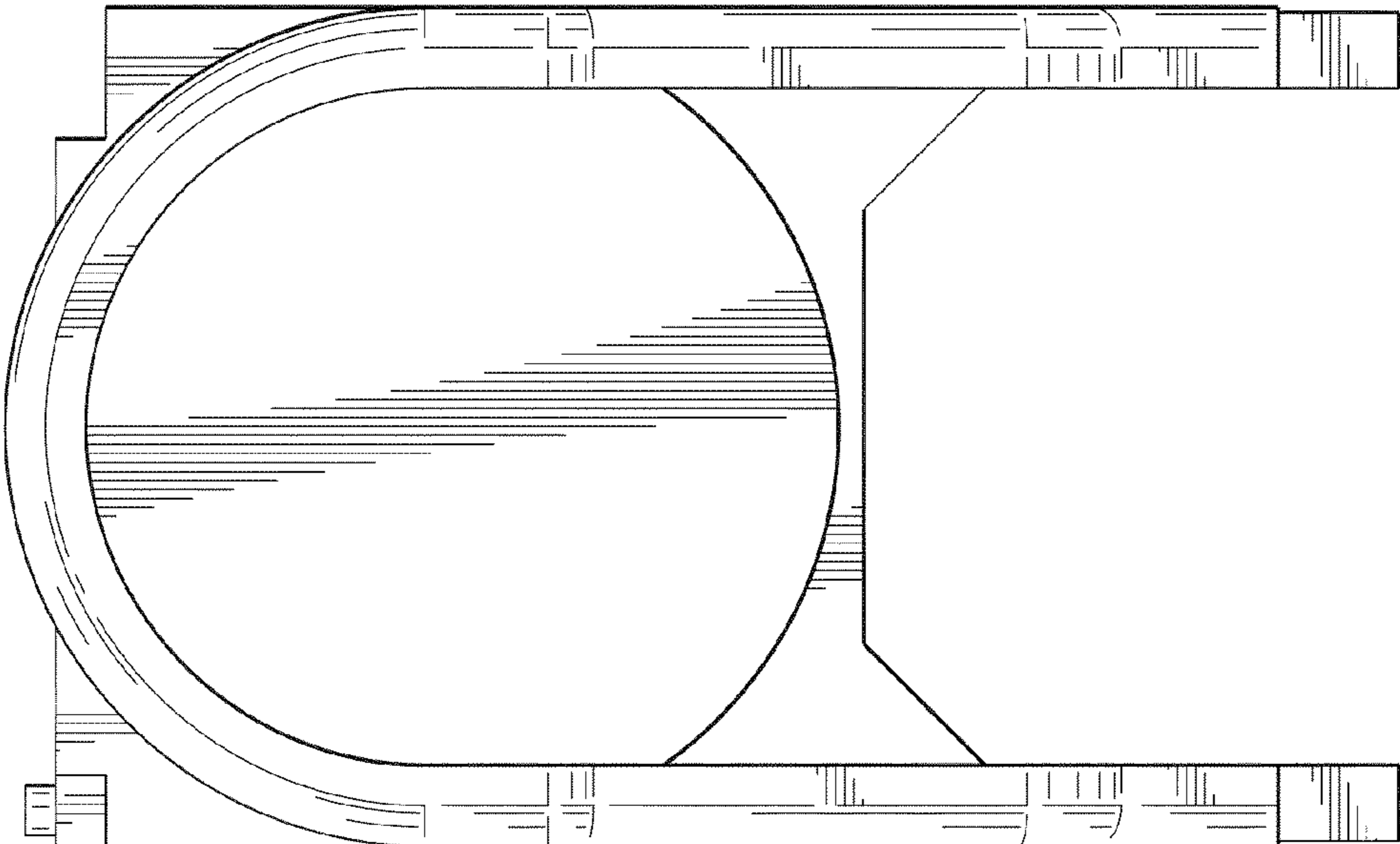


FIG. 4

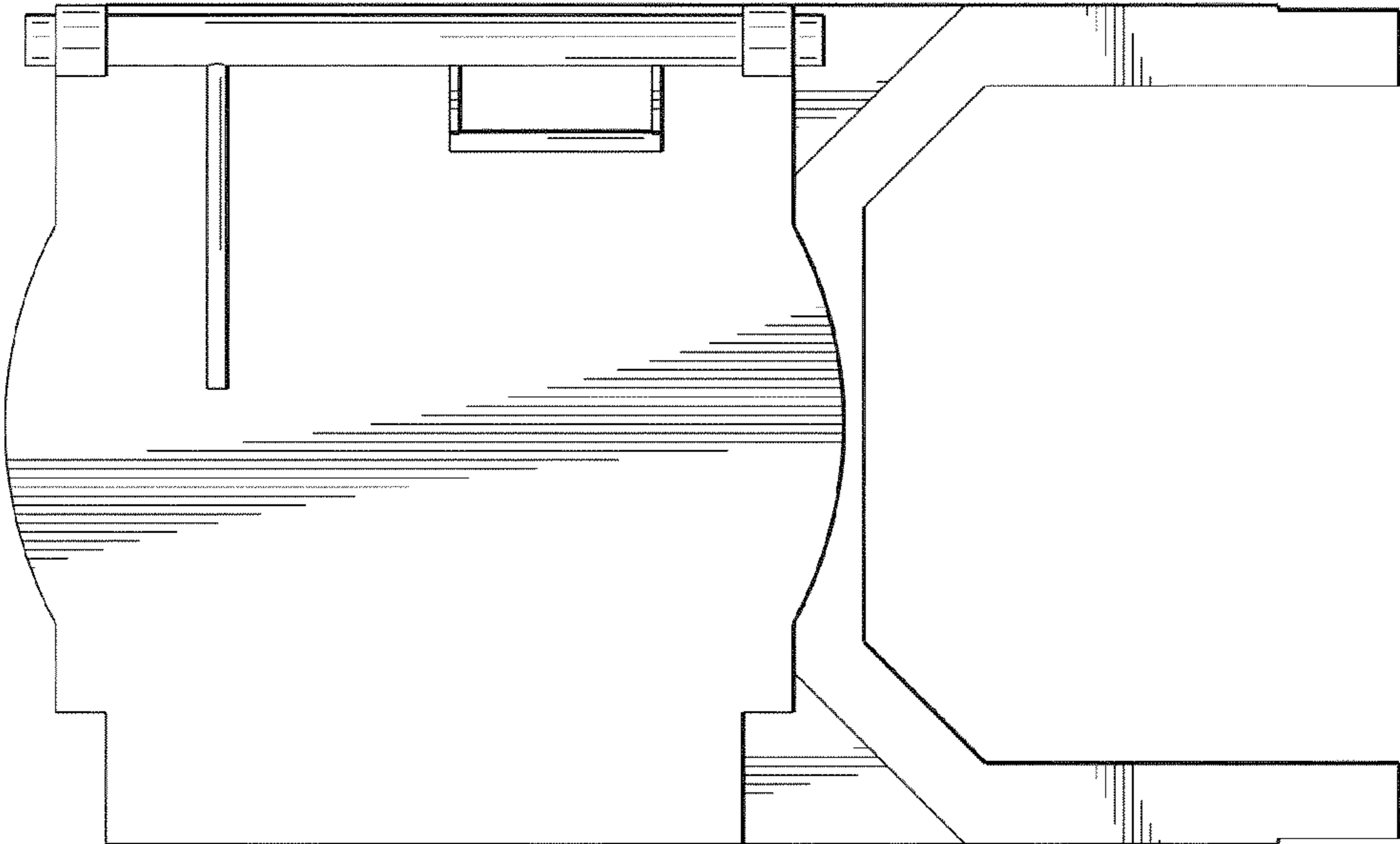


FIG. 6

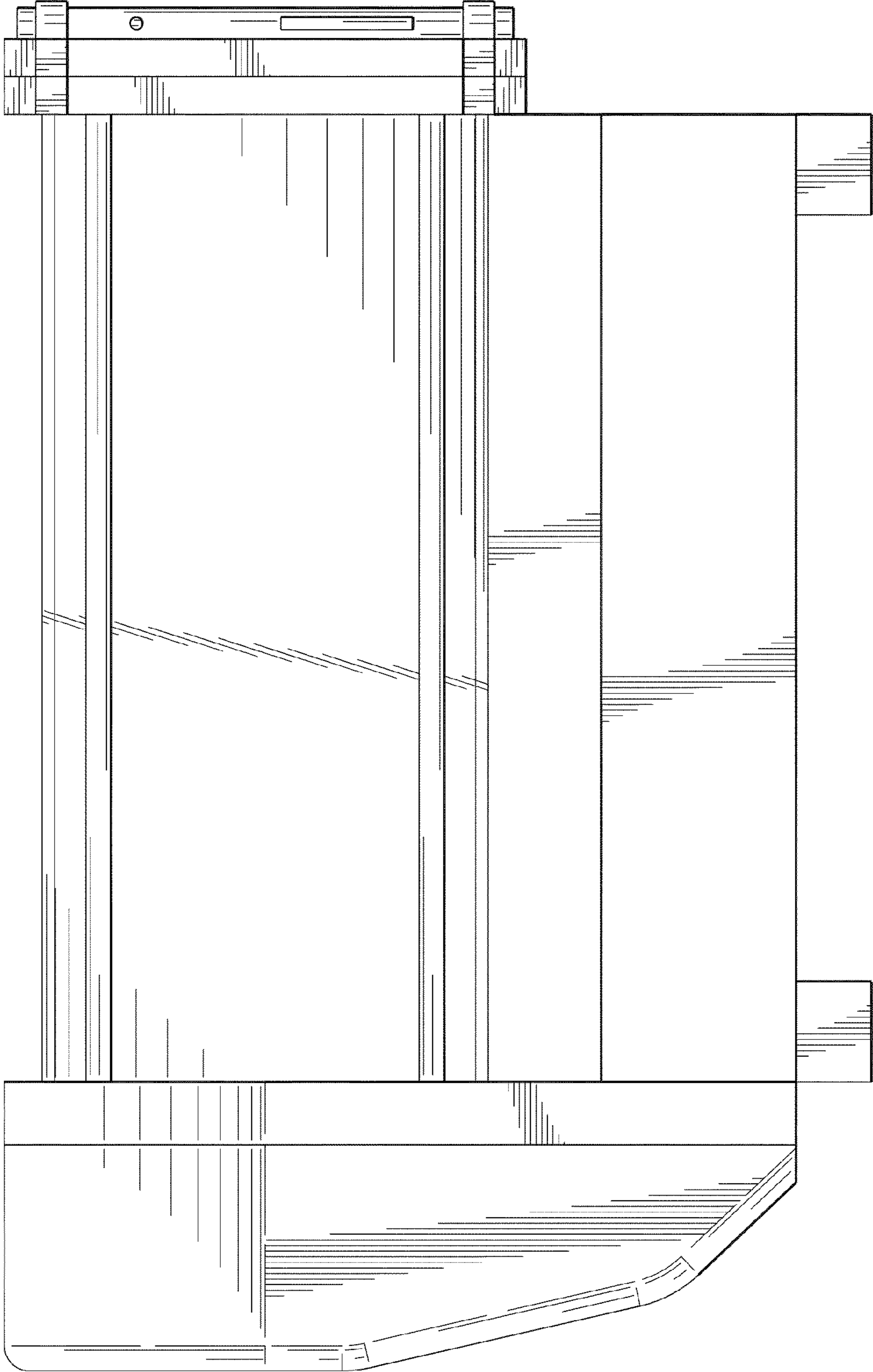


FIG. 5

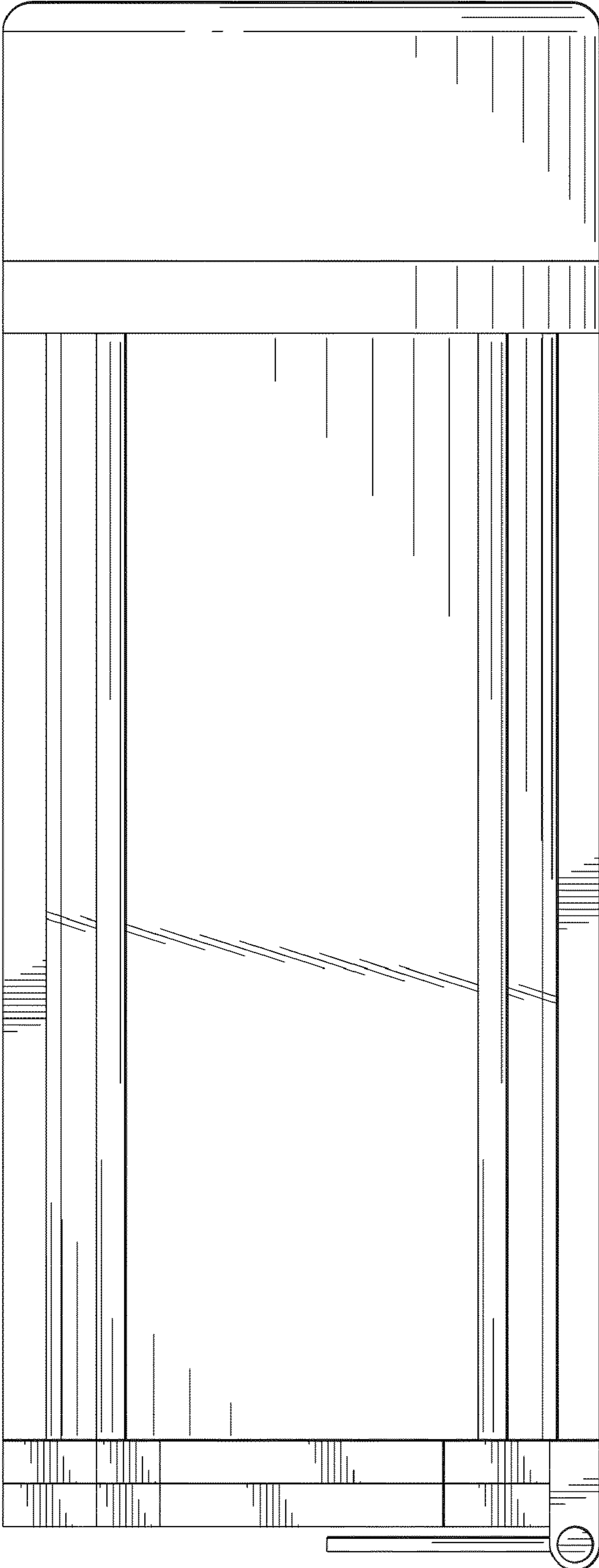


FIG. 7