



US00D651712S

(12) **United States Design Patent**  
**Gao**

(10) **Patent No.:** **US D651,712 S**  
(45) **Date of Patent:** **\*\* Jan. 3, 2012**

(54) **CARTRIDGE FOR A MEDICAL ROD CUTTER**

D634,845 S \* 3/2011 Gao ..... D24/146  
\* cited by examiner

(75) Inventor: **Hua Gao**, Fox Point, WI (US)

*Primary Examiner* — Ian Simmons

(73) Assignee: **Bradshaw Medical, Inc.**, Kenosha, WI (US)

*Assistant Examiner* — Carissa C Fitts

(74) *Attorney, Agent, or Firm* — Absolute Technology Law Group, LLC

(\*\*) Term: **14 Years**

(57) **CLAIM**

(21) Appl. No.: **29/372,423**

The ornamental design for a cartridge for a medical rod cutter, as shown and described.

(22) Filed: **Nov. 18, 2010**

**DESCRIPTION**

(51) **LOC (9) Cl.** ..... **24-02**

FIG. 1 is a front perspective view of a cartridge for a medical rod cutter showing my new design;  
FIG. 2 is a top perspective view thereof;  
FIG. 3 is a rear perspective view thereof;  
FIG. 4 is a right side elevation view thereof;  
FIG. 5 is a left side elevation view thereof;  
FIG. 6 is a top plan view thereof;  
FIG. 7 is a bottom plan view thereof;  
FIG. 8 is a left end elevation view thereof; and,  
FIG. 9 is a right end elevation view thereof.

(52) **U.S. Cl.** ..... **D24/146**

(58) **Field of Classification Search** ..... D24/133,  
D24/137, 138, 143-149; 606/151, 157, 158,  
606/167, 182, 176, 184, 205-208, 112-150  
See application file for complete search history.

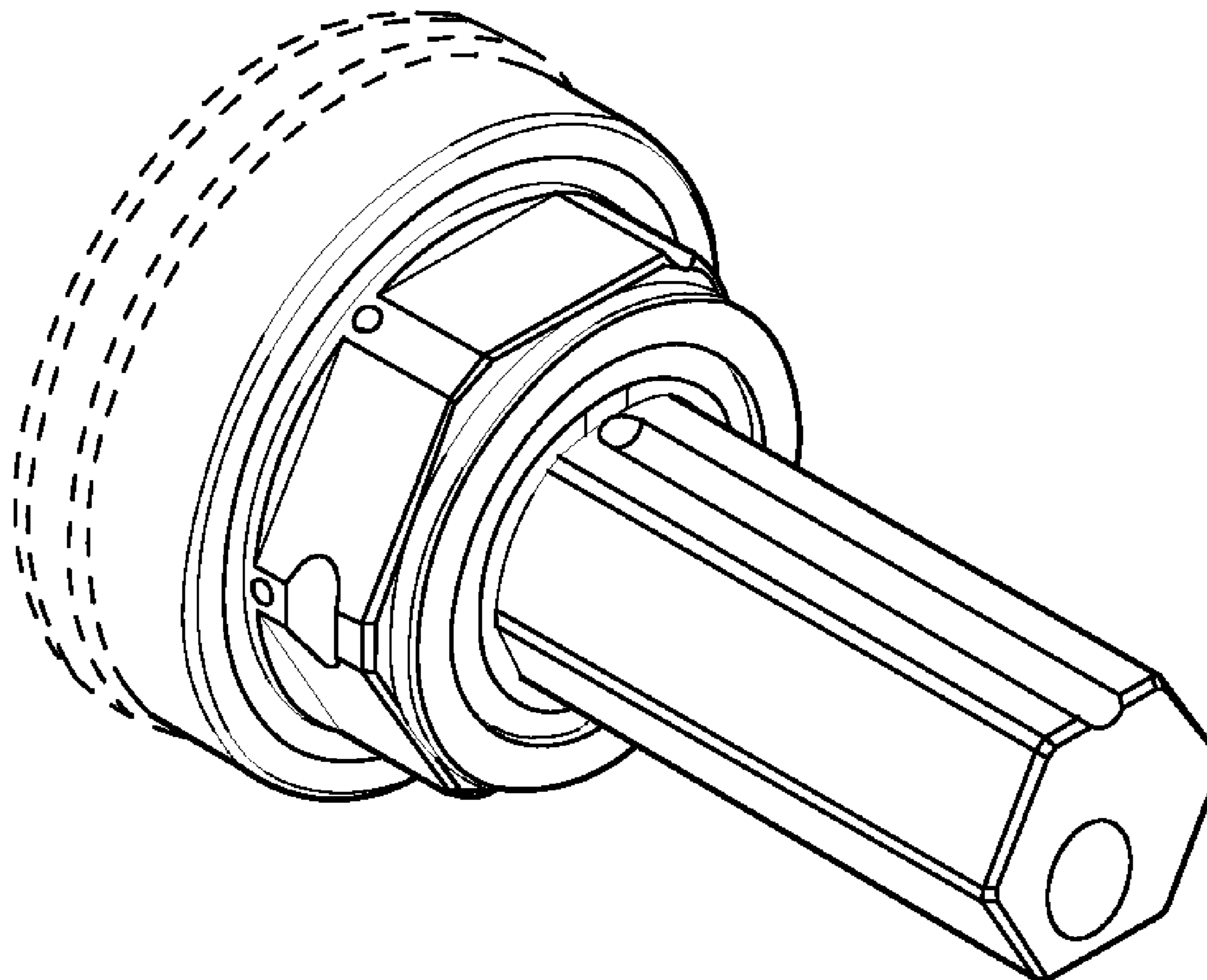
(56) **References Cited**

The broken line showing of the cartridge for a medical rod cutter is for illustrative purposes only and forms no part of the claimed design.

**U.S. PATENT DOCUMENTS**

D271,618 S *	11/1983	Nishigaki	.....	D24/138
D529,361 S *	10/2006	Brookman	.....	D8/91
D621,043 S *	8/2010	Schmal et al.	.....	D24/147
D630,734 S *	1/2011	Speiser	.....	D24/133
D631,546 S *	1/2011	Gao	.....	D24/146

**1 Claim, 4 Drawing Sheets**



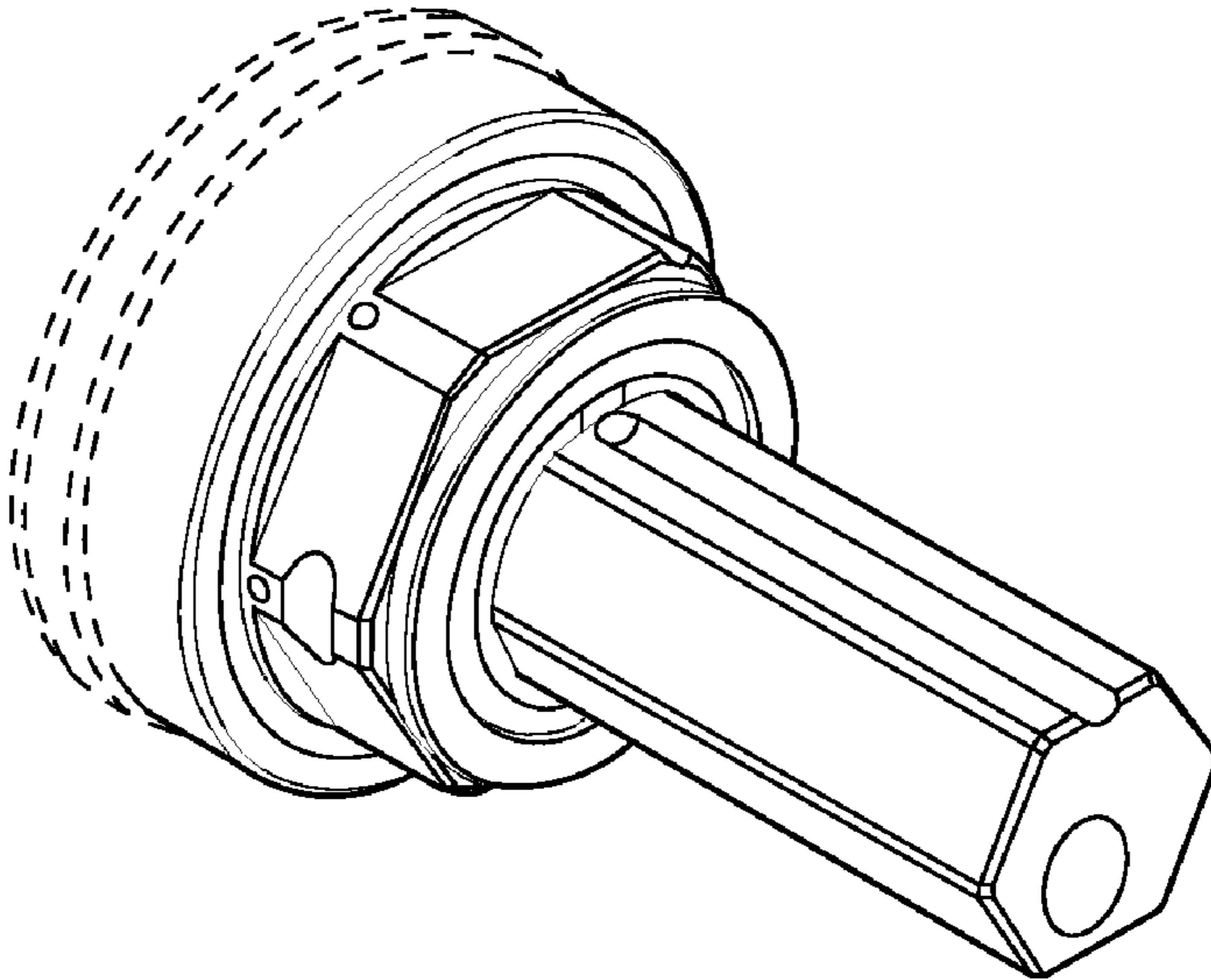


Figure 1

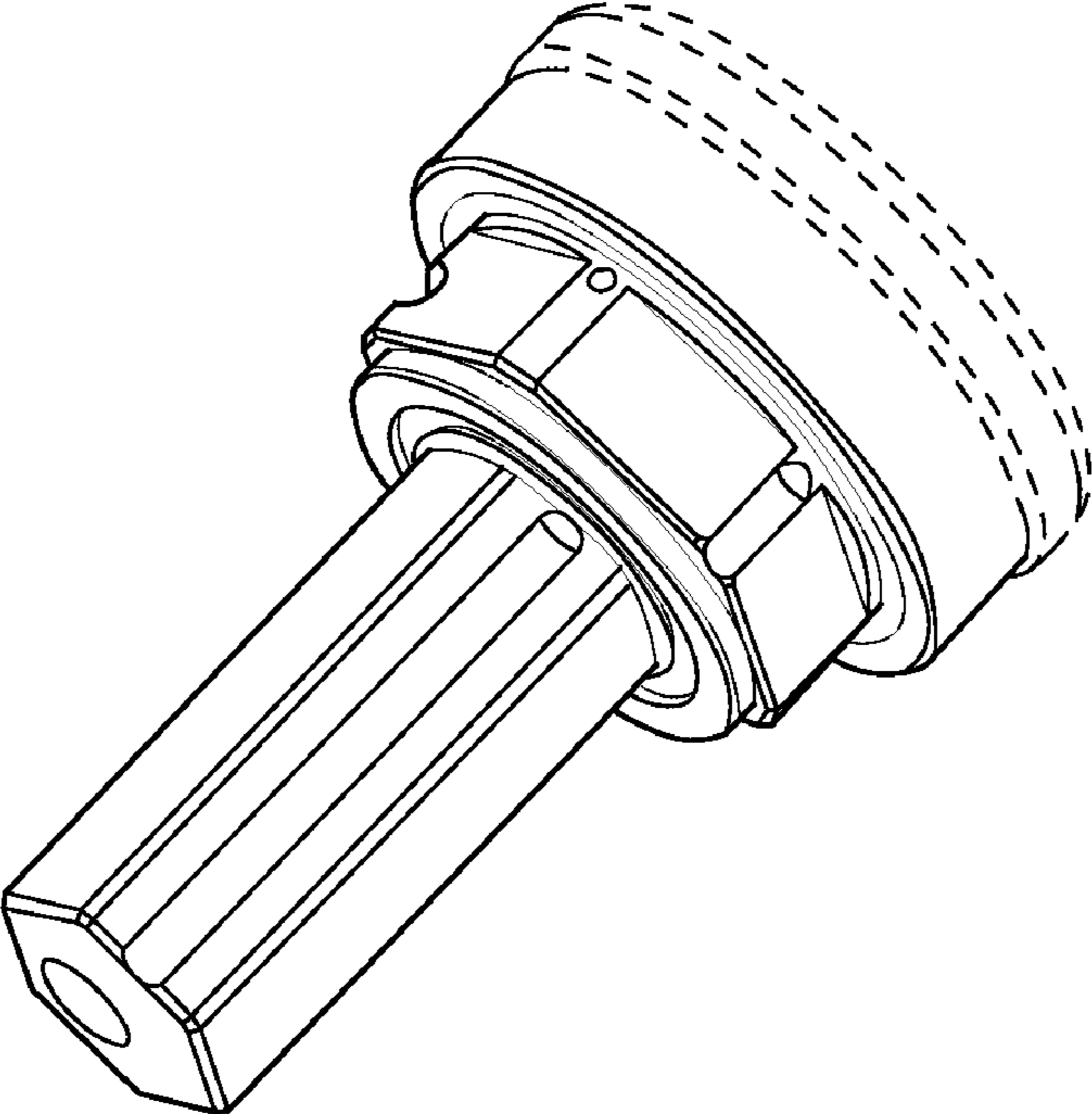


Figure 2

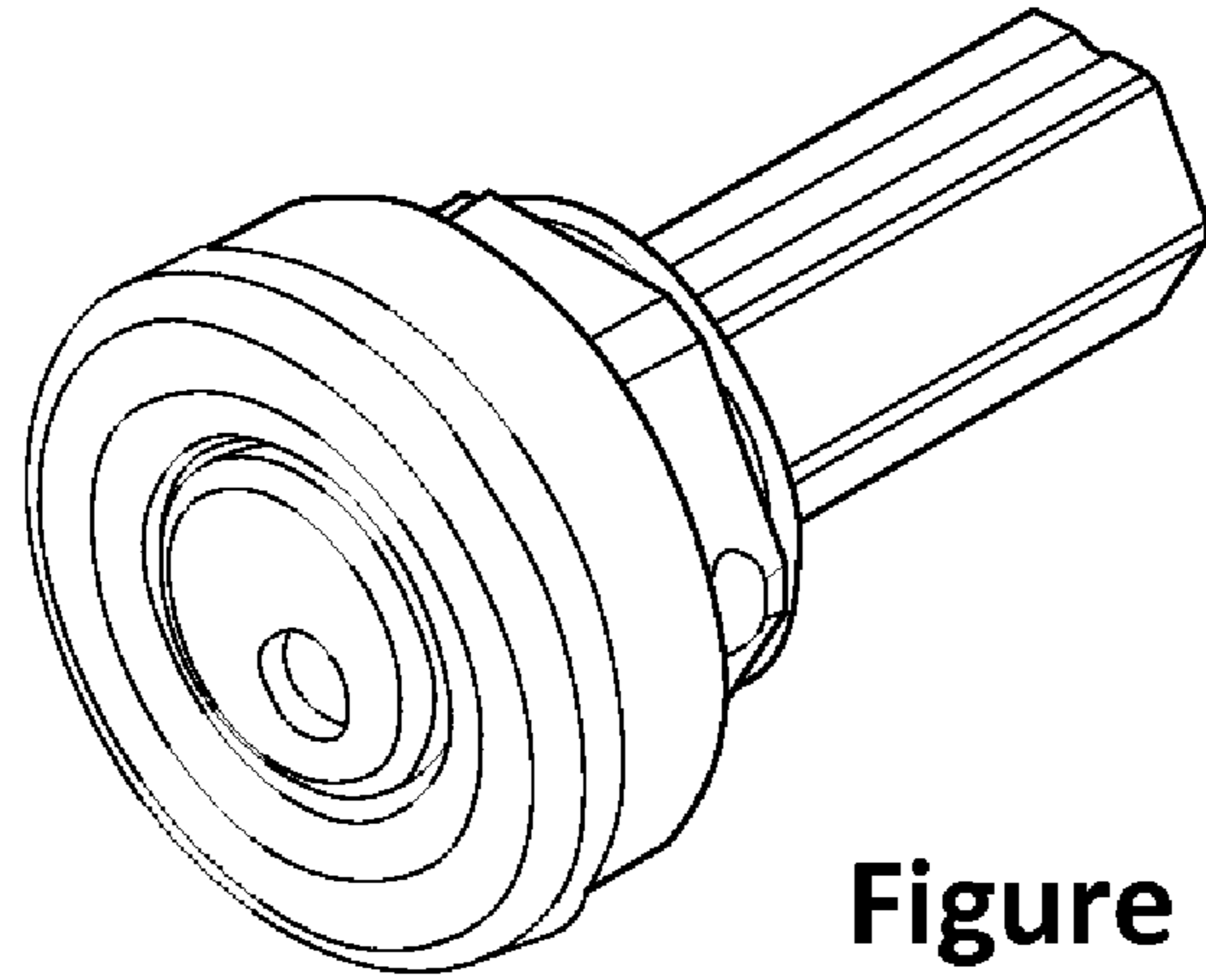


Figure 3

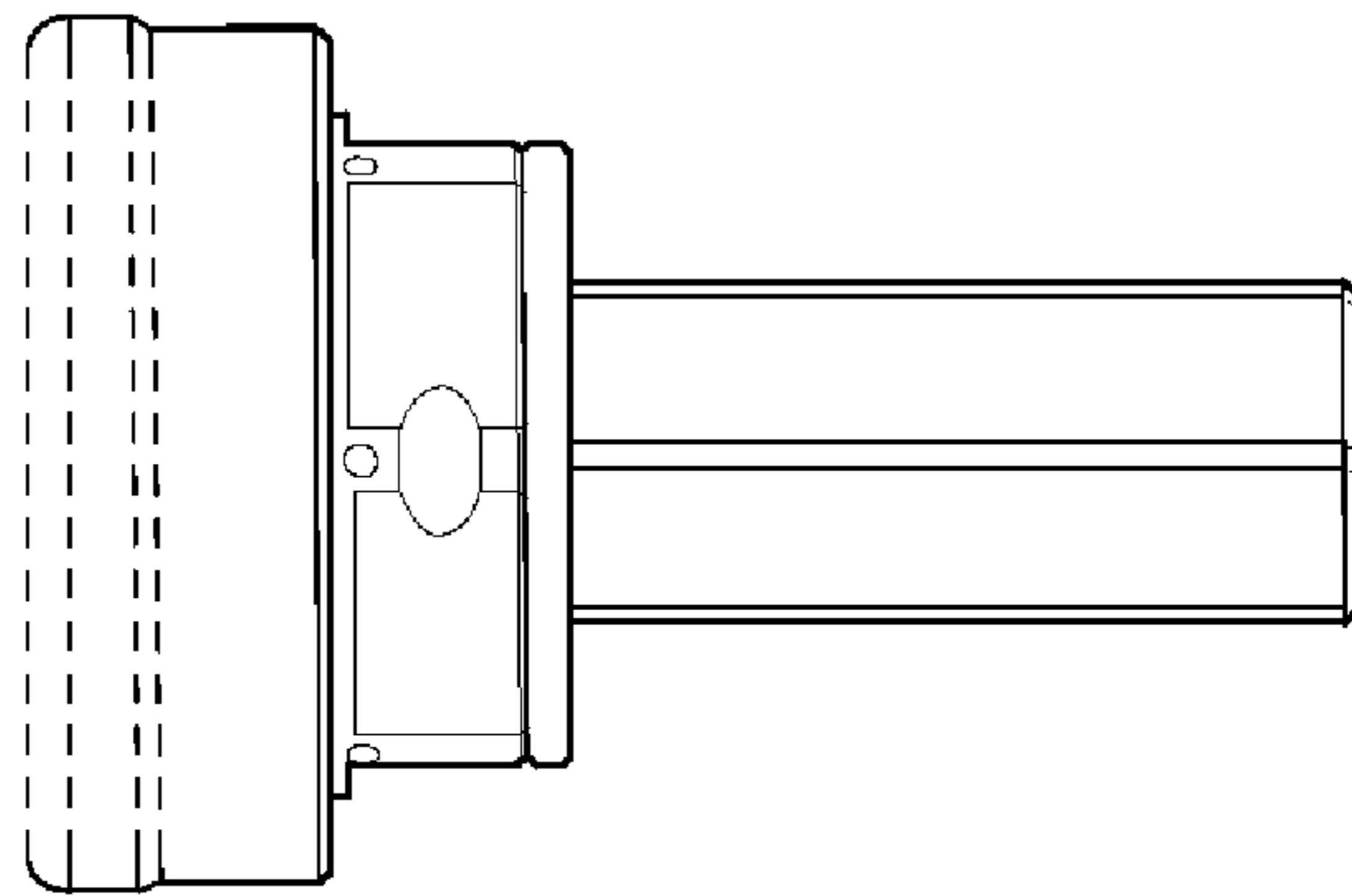


Figure 4

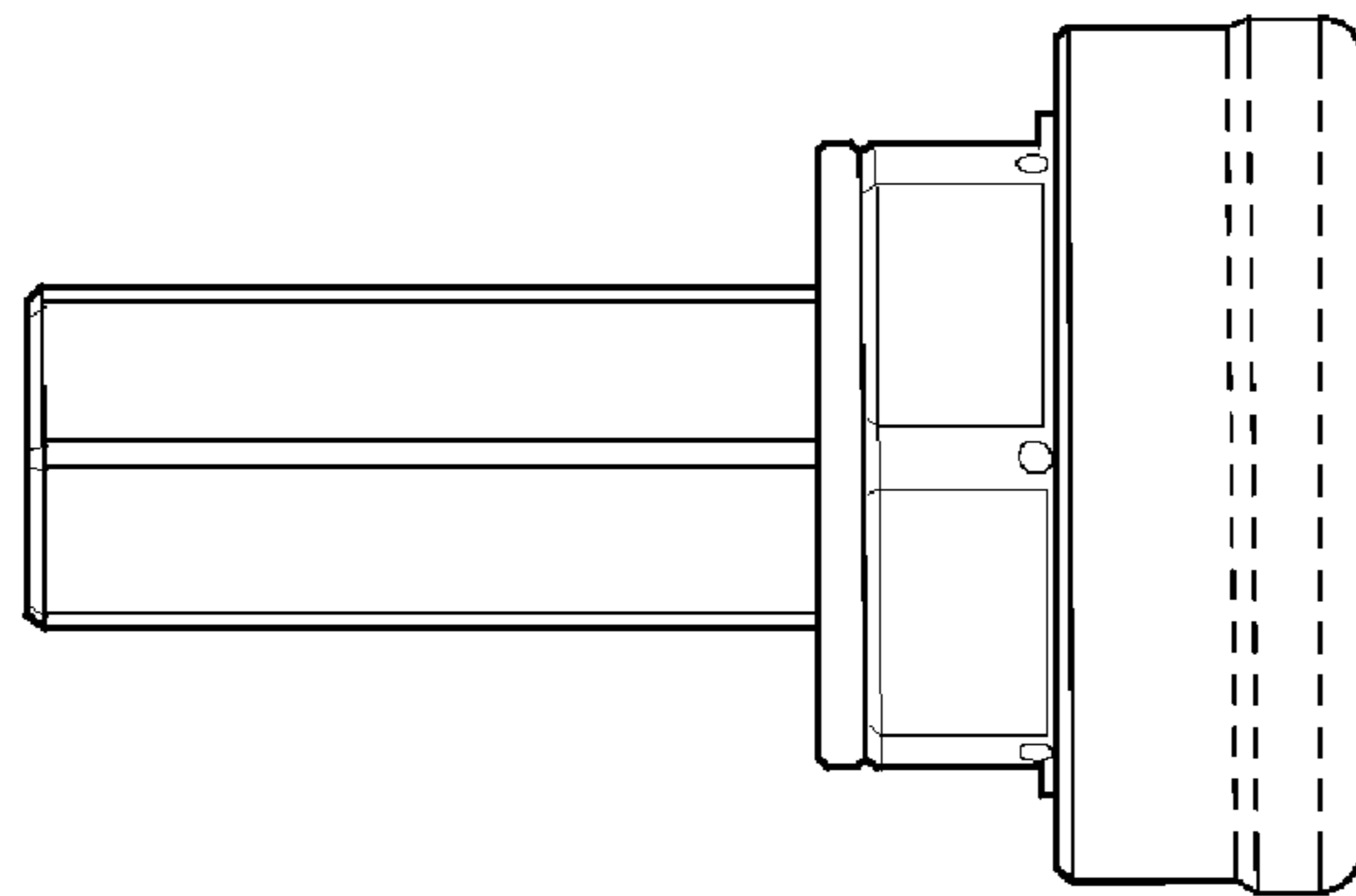


Figure 5

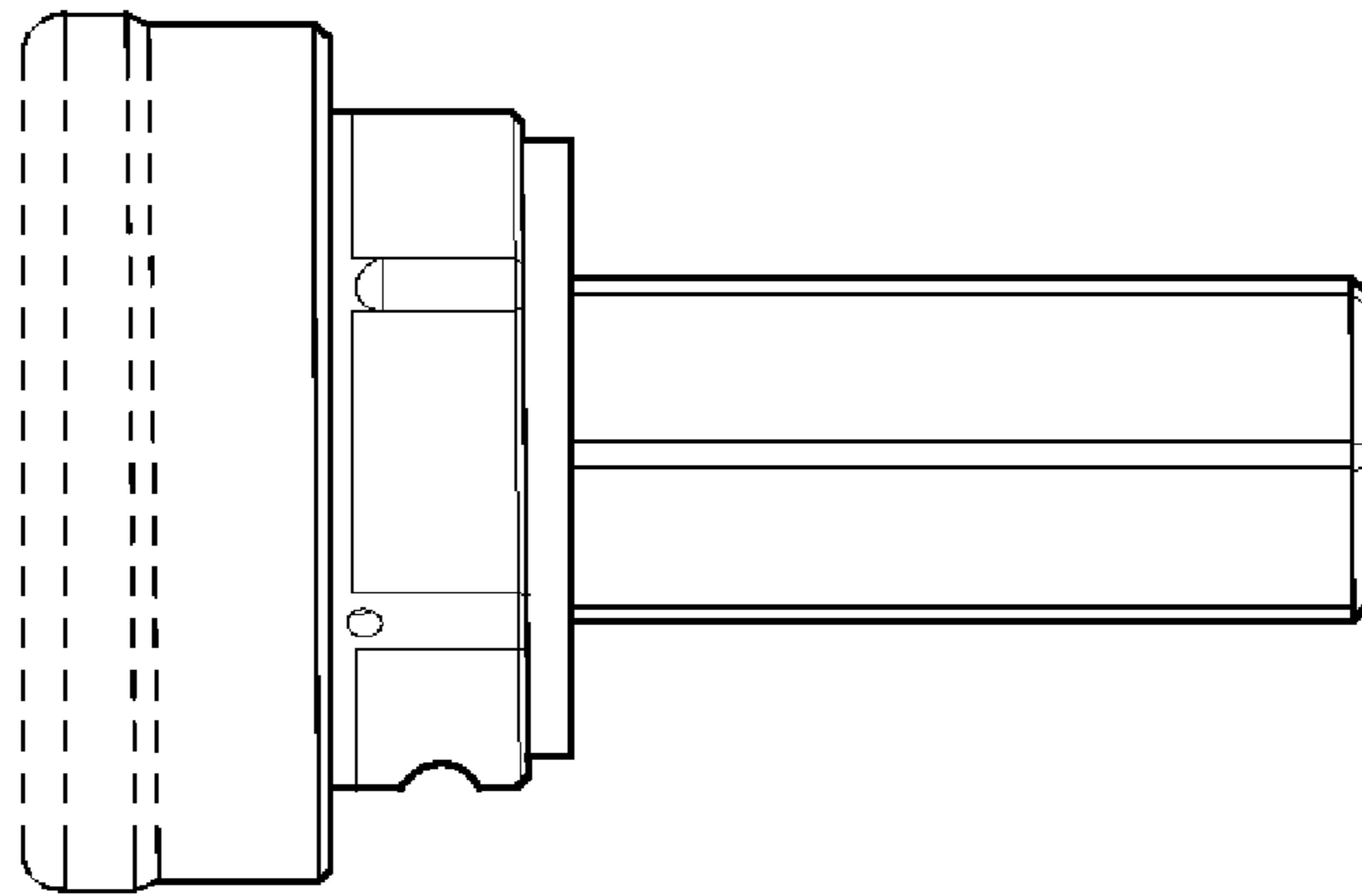


Figure 6

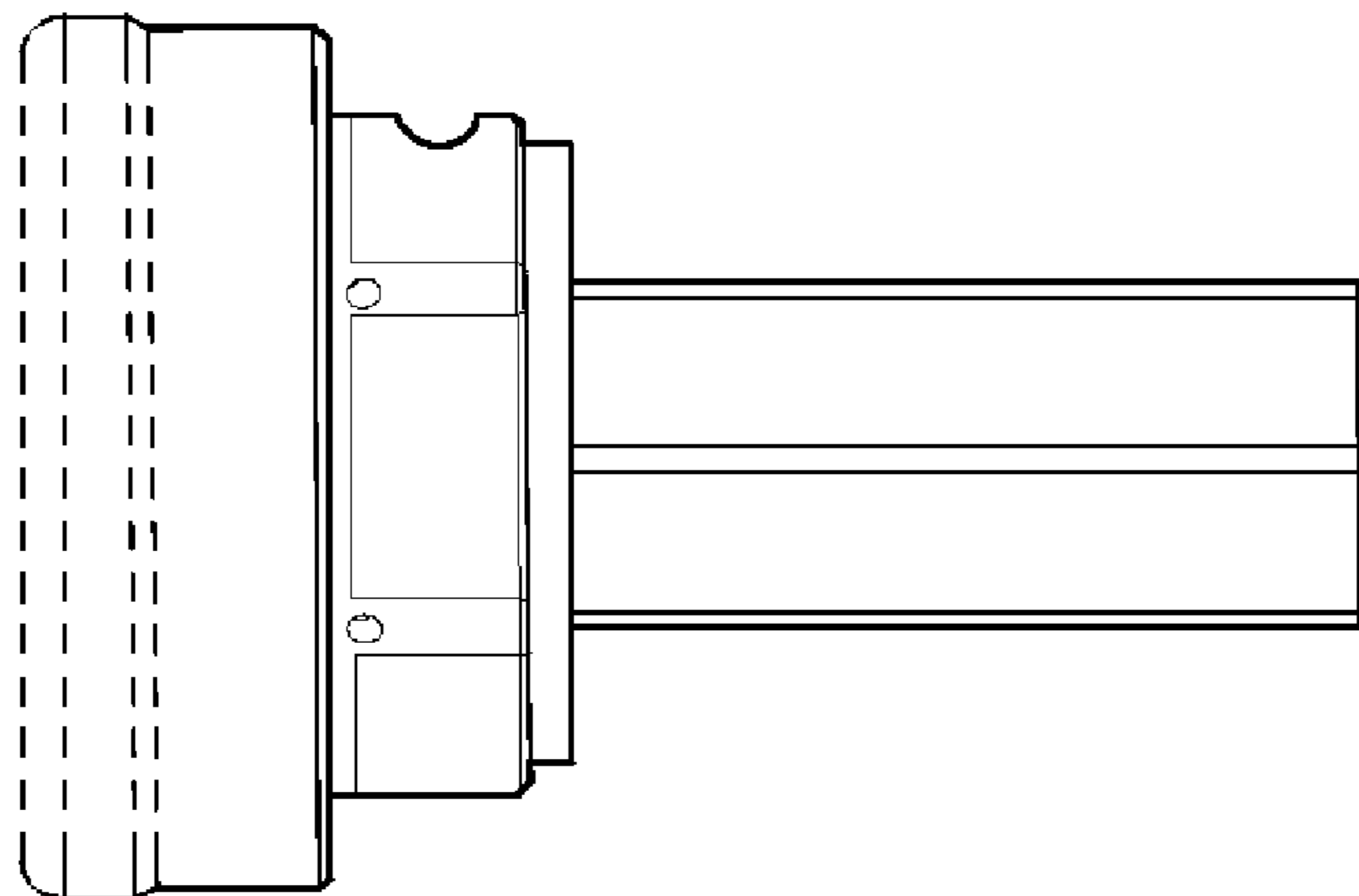


Figure 7

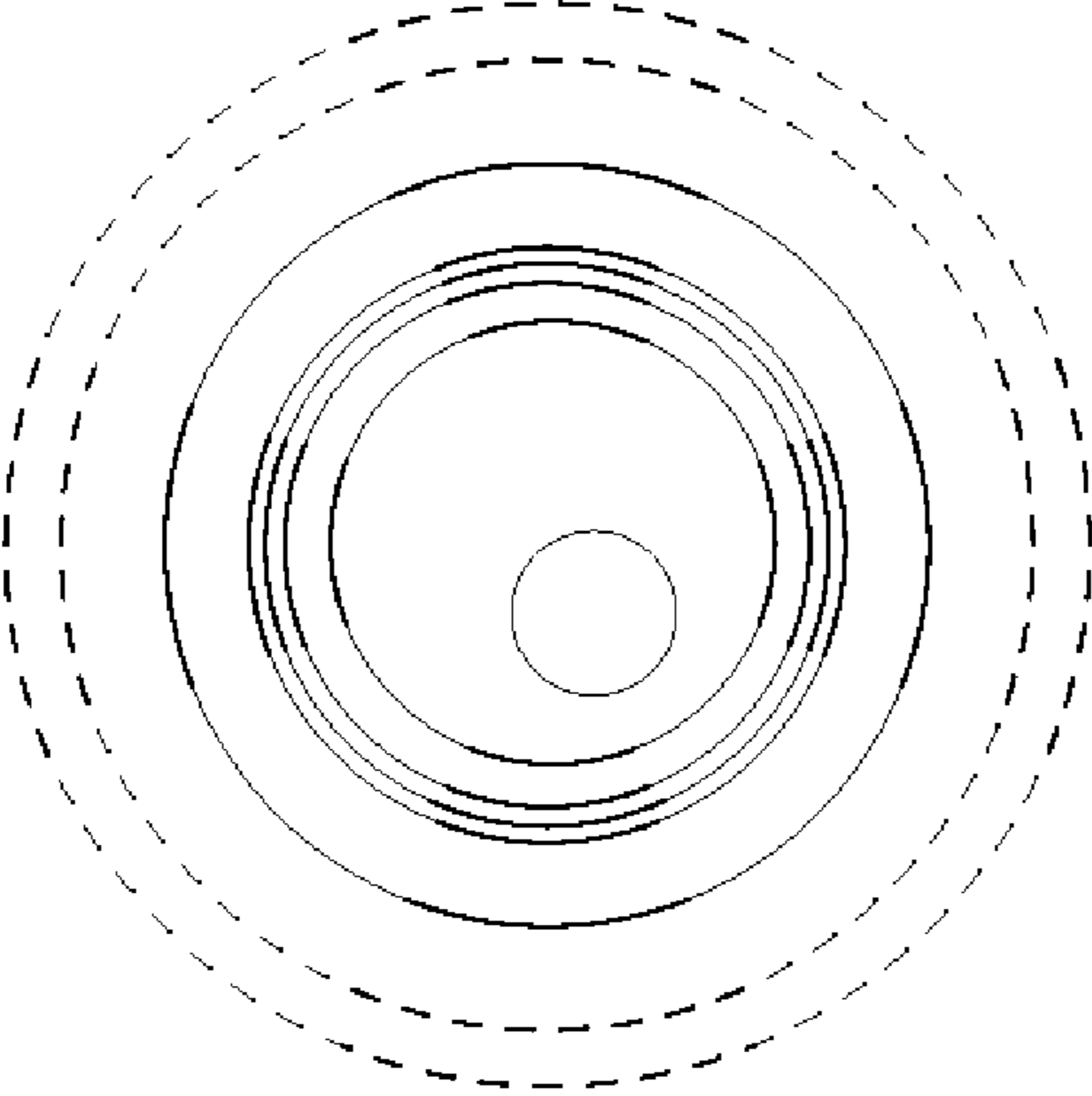


Figure 8

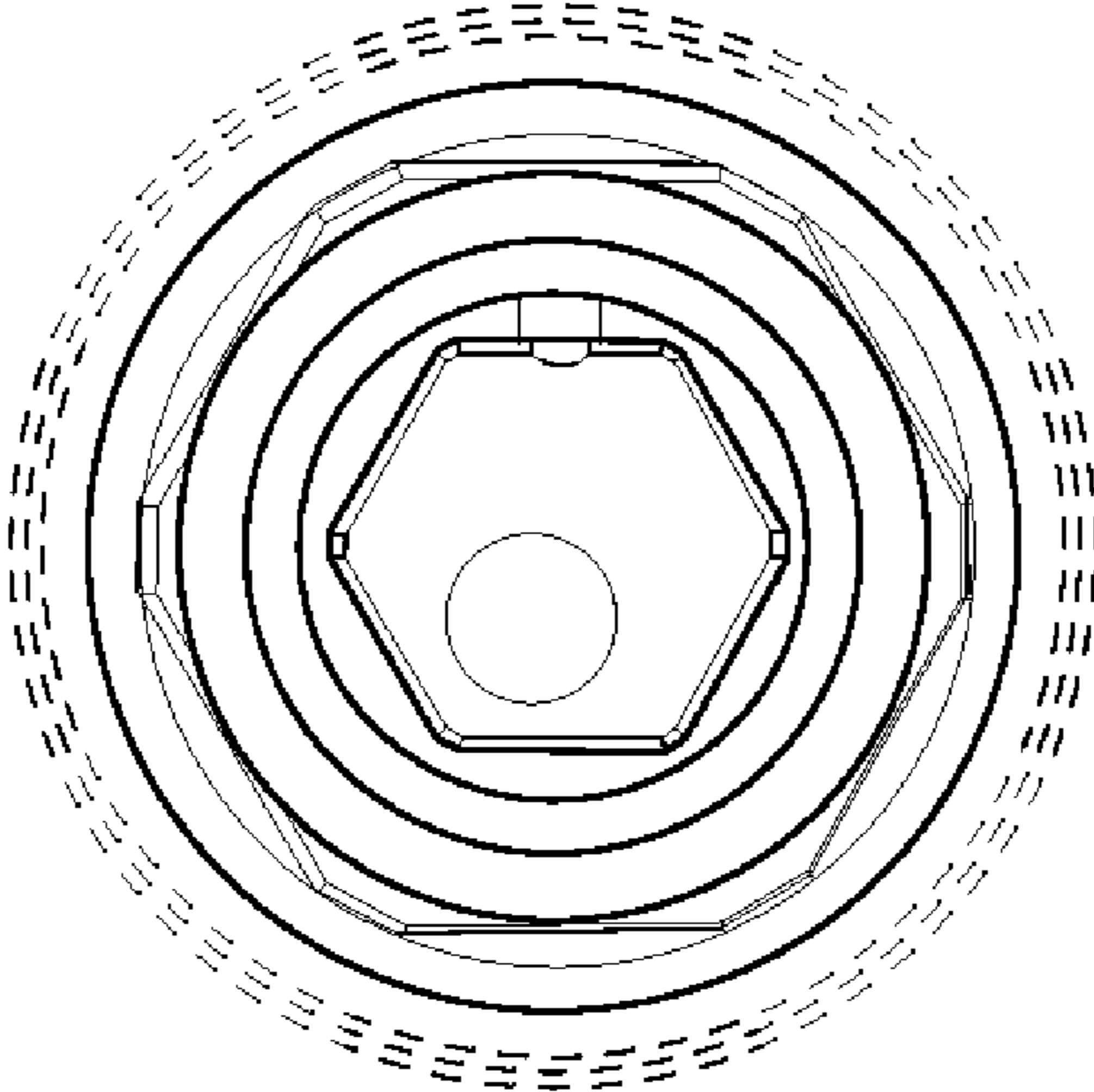


Figure 9