



US00D651711S

(12) **United States Design Patent**
McGrath et al.

(10) **Patent No.:** **US D651,711 S**
(45) **Date of Patent:** **** Jan. 3, 2012**

(54) **VIDEO LARYNGOSCOPE**

(75) Inventors: **Matthew John Ross McGrath**,
Edinburgh (GB); **Peter Douglas Colin Inglis**,
Edinburgh (GB)

(73) Assignee: **Aircraft Medical Limited**,
Edinburgh (GB)

(**) Term: **14 Years**

(21) Appl. No.: **29/389,591**

(22) Filed: **Apr. 13, 2011**

(30) **Foreign Application Priority Data**

Oct. 13, 2010 (GB) 4017405

(51) **LOC (9) Cl.** **24-02**

(52) **U.S. Cl.** **D24/137**

(58) **Field of Classification Search** D24/137,
D24/133, 135, 136, 138; 600/185–199, 184,
600/200; 606/196, 191–195, 197–200
See application file for complete search history.

(56) **References Cited**

U.S. PATENT DOCUMENTS

4,742,819 A * 5/1988 George 600/109
D637,715 S * 5/2011 Clarke et al. D24/137

D637,717 S *	5/2011	Clarke et al.	D24/137
2002/0022769 A1 *	2/2002	Smith et al.	600/188
2003/0195390 A1 *	10/2003	Graumann	600/188
2008/0146878 A1 *	6/2008	Frost et al.	600/188
2010/0191054 A1 *	7/2010	Supiez	600/109
2010/0249513 A1 *	9/2010	Tydlaska	600/186
2010/0312059 A1 *	12/2010	Mcgrath	600/188
2011/0130632 A1 *	6/2011	McGrail et al.	600/188
2011/0152620 A1 *	6/2011	Dhonneur	600/194

* cited by examiner

Primary Examiner — Bridget L Eland

(74) *Attorney, Agent, or Firm* — Nixon & Vanderhye, P.C.

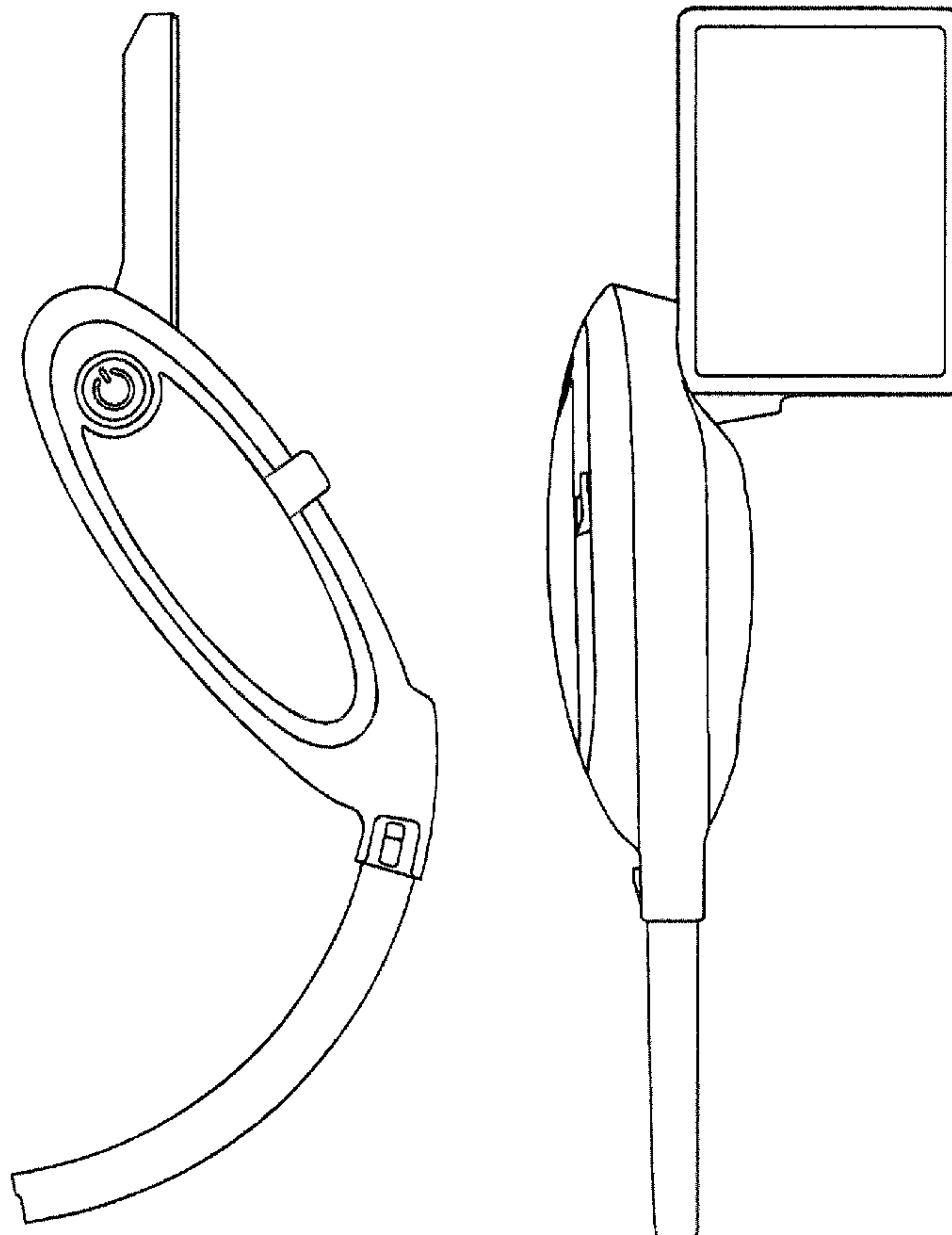
(57) **CLAIM**

The ornamental design for “video laryngoscope,” as shown and described.

DESCRIPTION

FIG. 1 is a left rear perspective view of the video laryngoscope showing our new design;
FIG. 2 is a right rear perspective view thereof;
FIG. 3 is a right front perspective view thereof;
FIG. 4 is a left side view thereof;
FIG. 5 is a rear view thereof;
FIG. 6 is a right side view thereof;
FIG. 7 is a top plan view thereof;
FIG. 8 is a bottom plan view thereof; and,
FIG. 9 is a front view thereof.

1 Claim, 4 Drawing Sheets



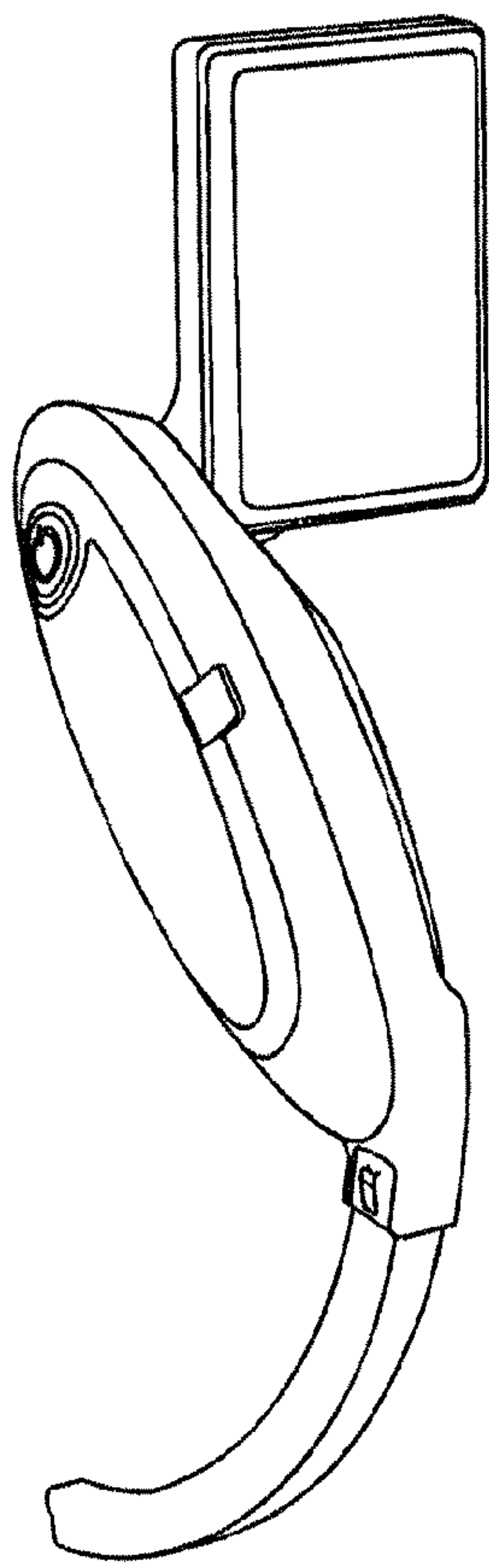


FIG. 1

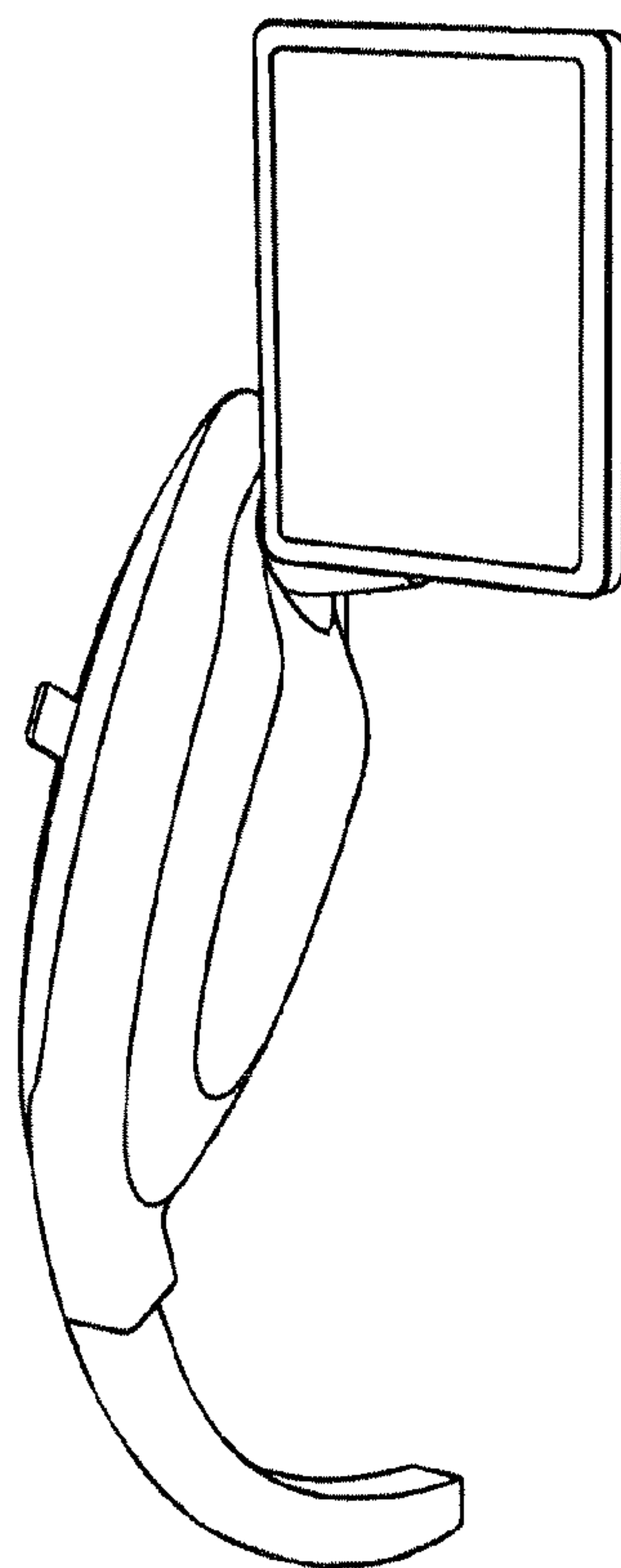


FIG. 2

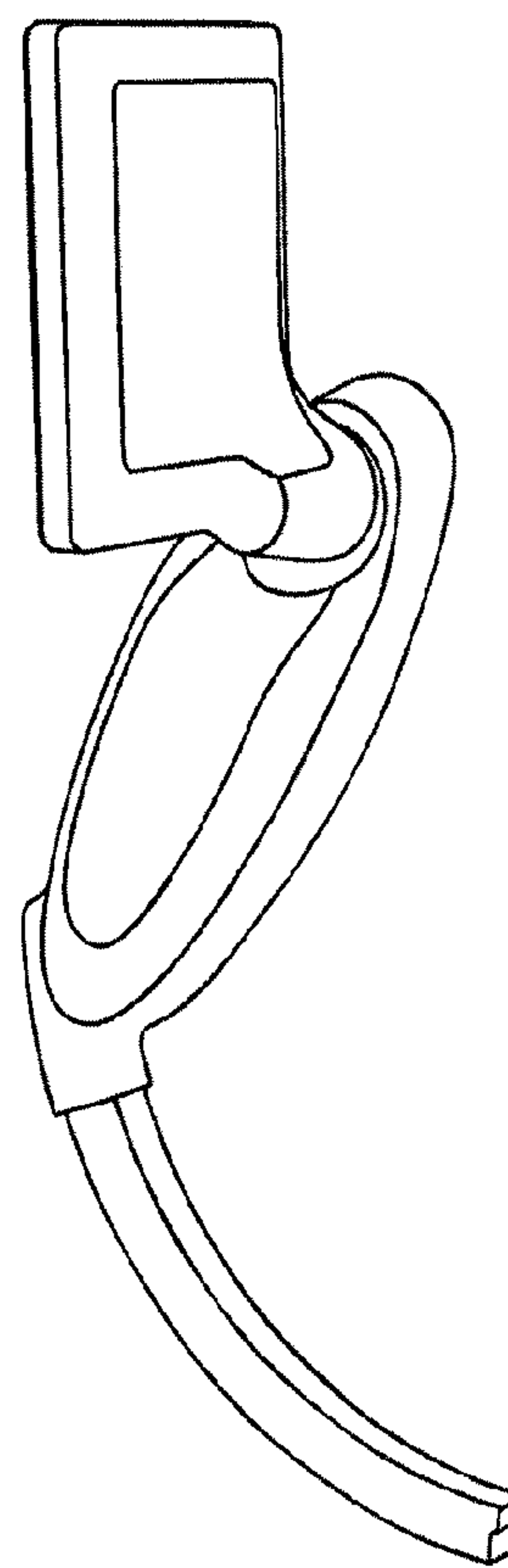


FIG. 3

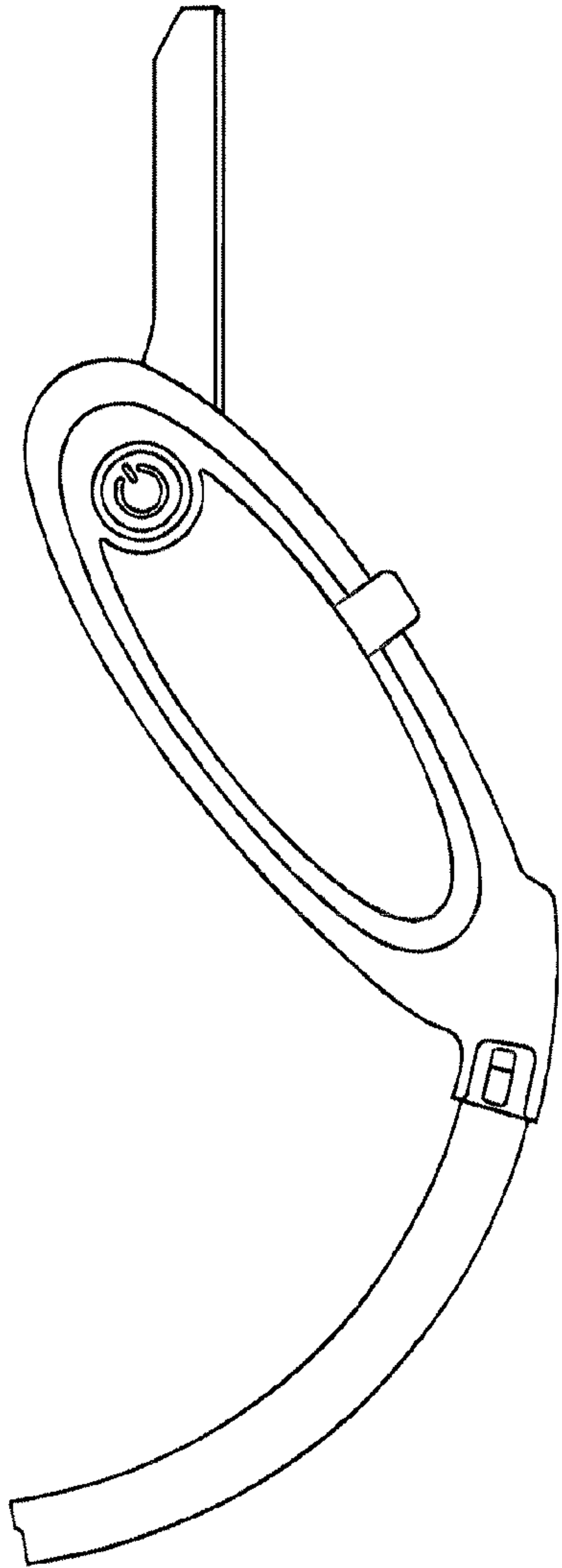


FIG. 4

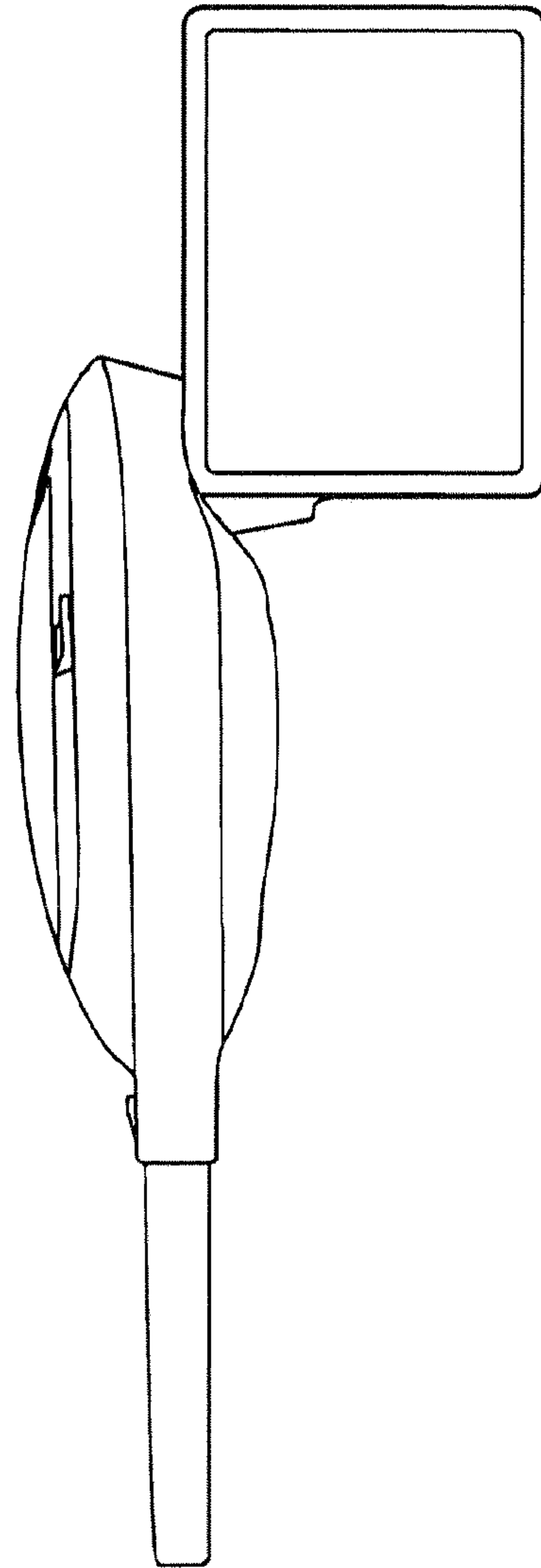


FIG. 5

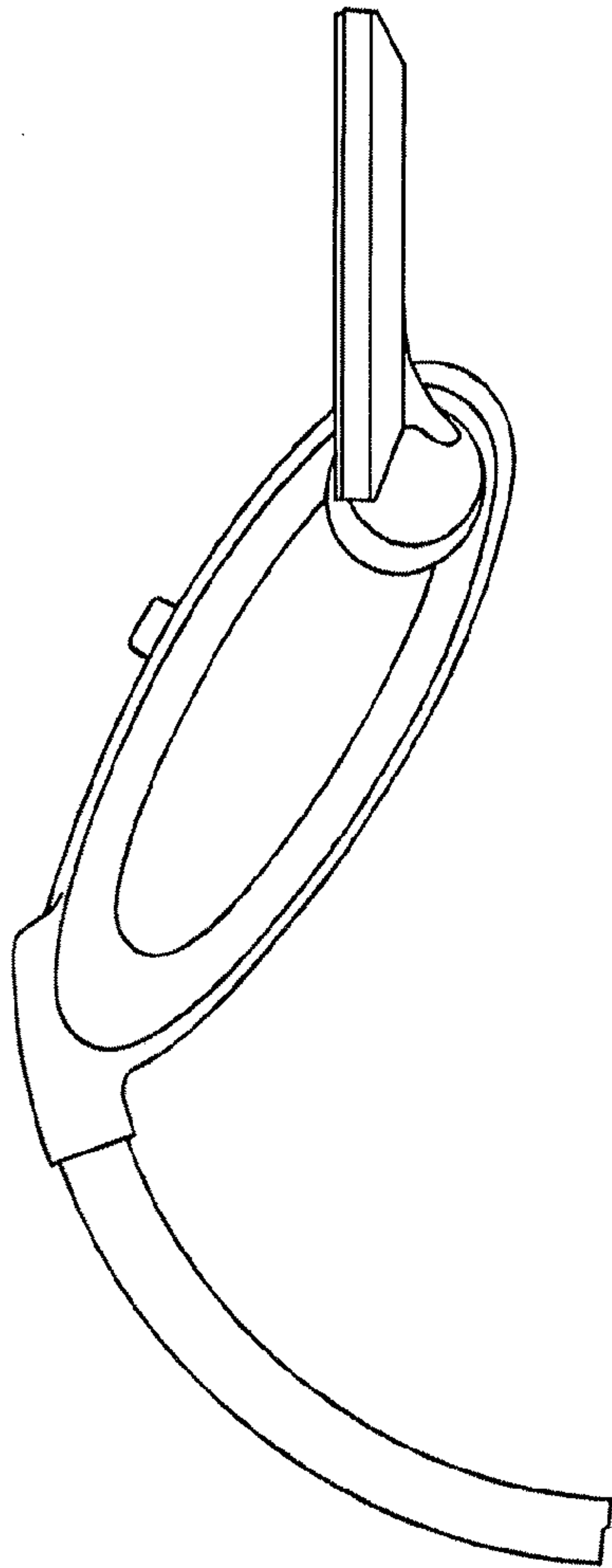


FIG. 6

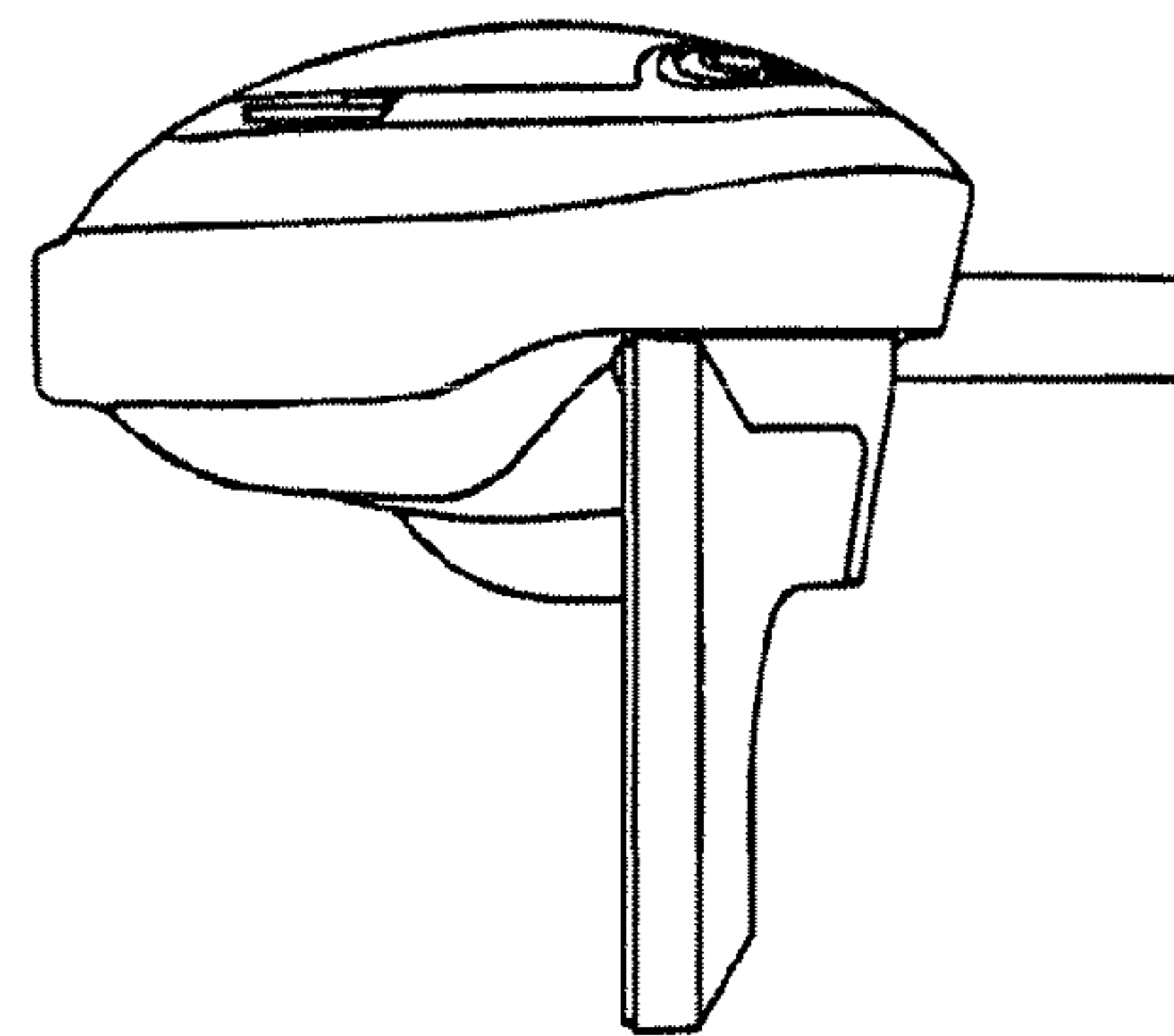


FIG. 7

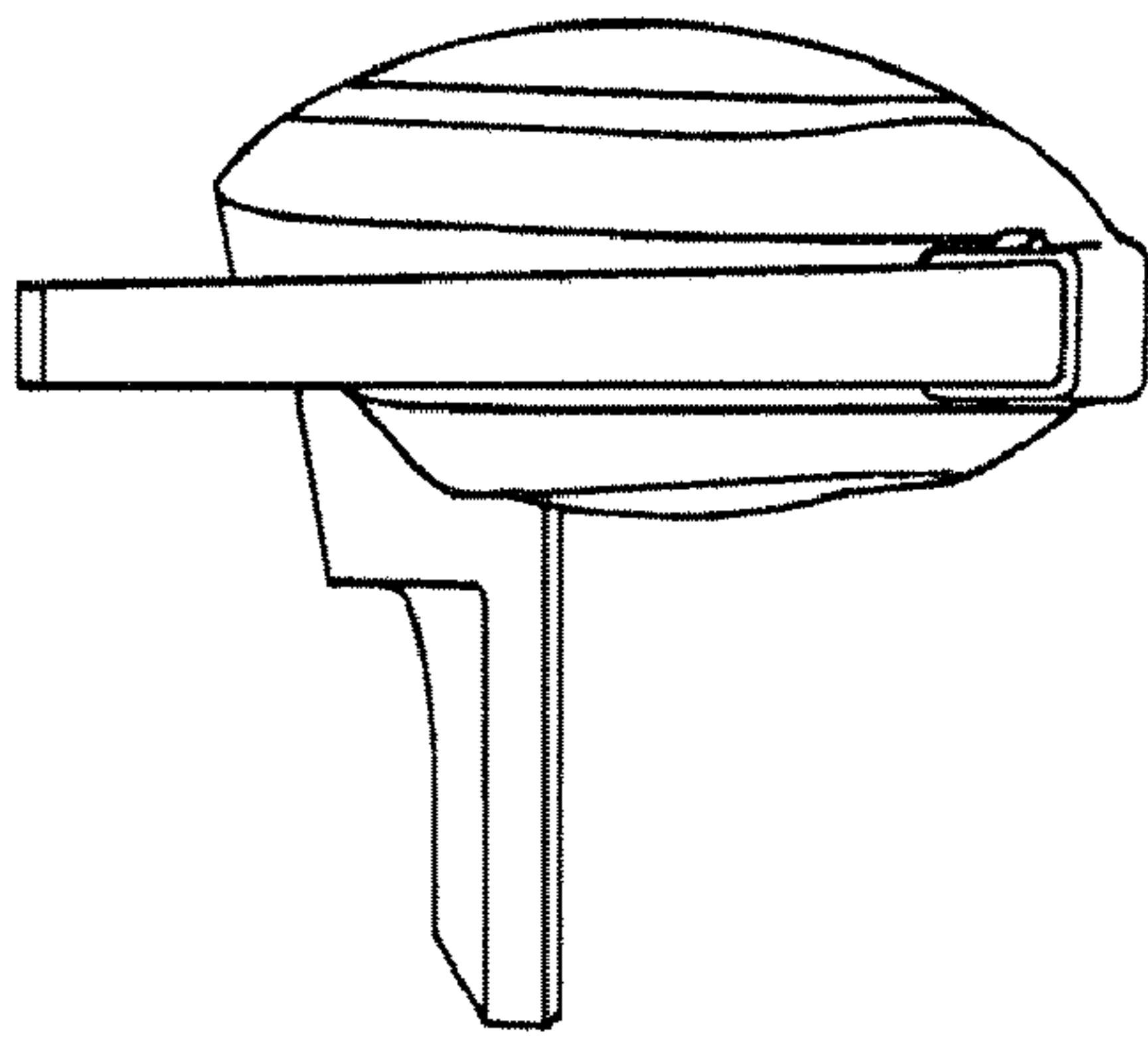


FIG. 8



FIG. 9