



US00D651707S

(12) **United States Design Patent**
McKay

(10) **Patent No.:** **US D651,707 S**
(45) **Date of Patent:** **** Jan. 3, 2012**

(54) **NEBULIZER MOUTHPIECE PROTECTOR**

(76) Inventor: **Anne McKay**, Oldsmar, FL (US)

(**) Term: **14 Years**

(21) Appl. No.: **29/338,805**

(22) Filed: **Jun. 18, 2009**

(51) **LOC (9) Cl.** **29-02**

(52) **U.S. Cl.** **D24/110**

(58) **Field of Classification Search** D24/110;
D9/434-436, 441, 445, 449, 451; 215/11.1,
215/11.6, 306; 128/200.14, 200.21, 202.27,
128/205.23, 205.24, 203.11, 203.12; 239/338
See application file for complete search history.

(56) **References Cited**

U.S. PATENT DOCUMENTS

4,564,021	A	1/1986	Siegmann et al.	
4,753,358	A *	6/1988	Virca et al.	215/306
4,951,661	A *	8/1990	Sladek	128/202.27
D310,585	S	9/1990	Newcomb	
4,953,545	A	9/1990	McCarty	
D321,267	S	10/1991	Dreyfus	
D358,881	S	5/1995	Krupansky	
5,622,166	A *	4/1997	Eisele et al.	128/203.12
5,653,353	A	8/1997	Otto et al.	
6,257,231	B1 *	7/2001	Shick et al.	128/200.14
6,557,549	B2 *	5/2003	Schmidt et al.	128/200.24
D475,735	S	6/2003	Louis	
6,946,593	B2	9/2005	Goodman et al.	
6,994,083	B2 *	2/2006	Foley et al.	128/200.14
7,390,949	B2	6/2008	Wanne	

7,748,385	B2 *	7/2010	Lieberman et al.	128/203.11
2002/0005195	A1 *	1/2002	Shick et al.	128/200.14
2007/0181119	A1 *	8/2007	Weinstein et al.	128/200.14
2011/0226242	A1 *	9/2011	Von Hollen et al.	128/203.12

* cited by examiner

Primary Examiner — Wan Laymon

(57) **CLAIM**

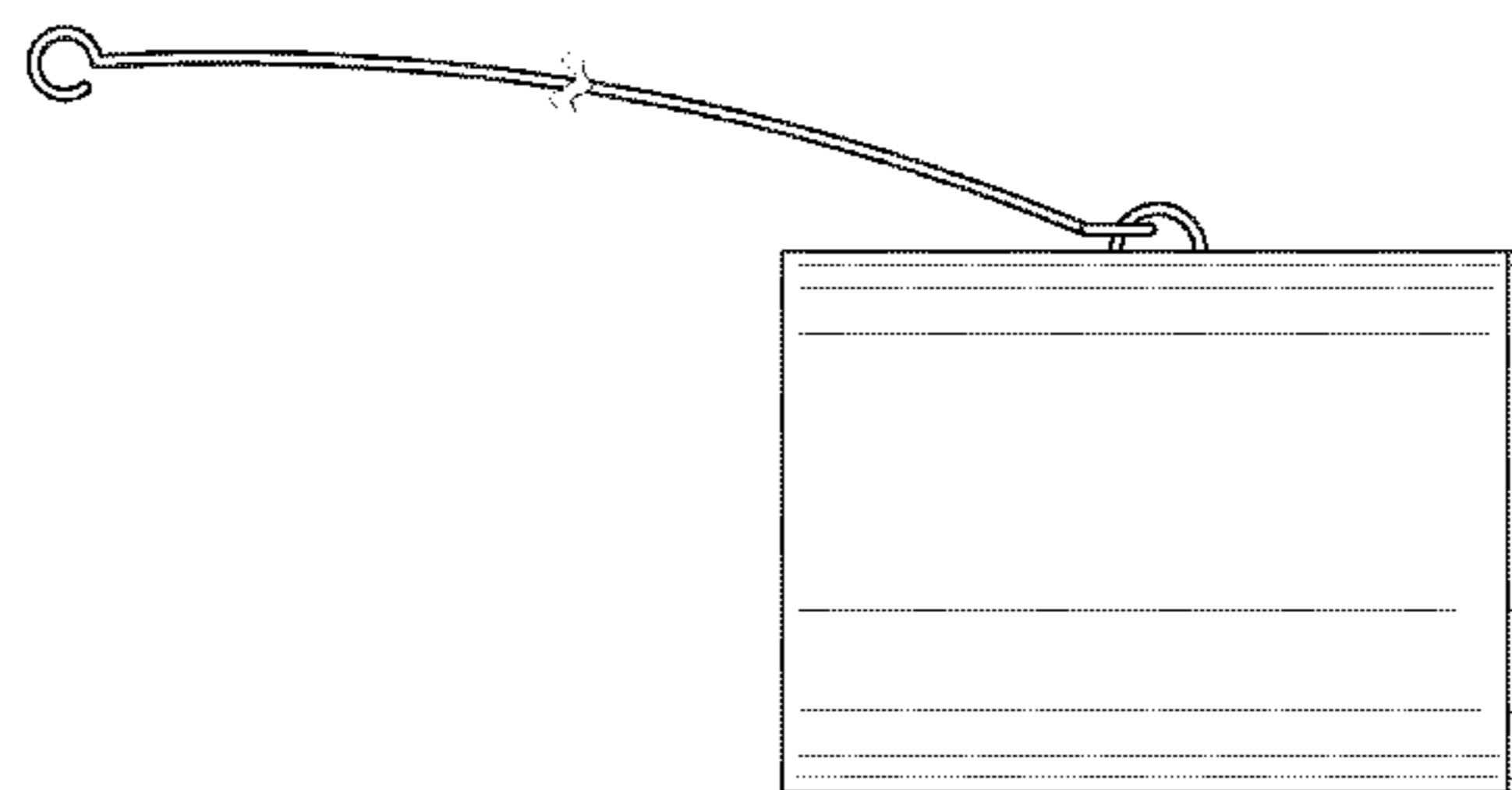
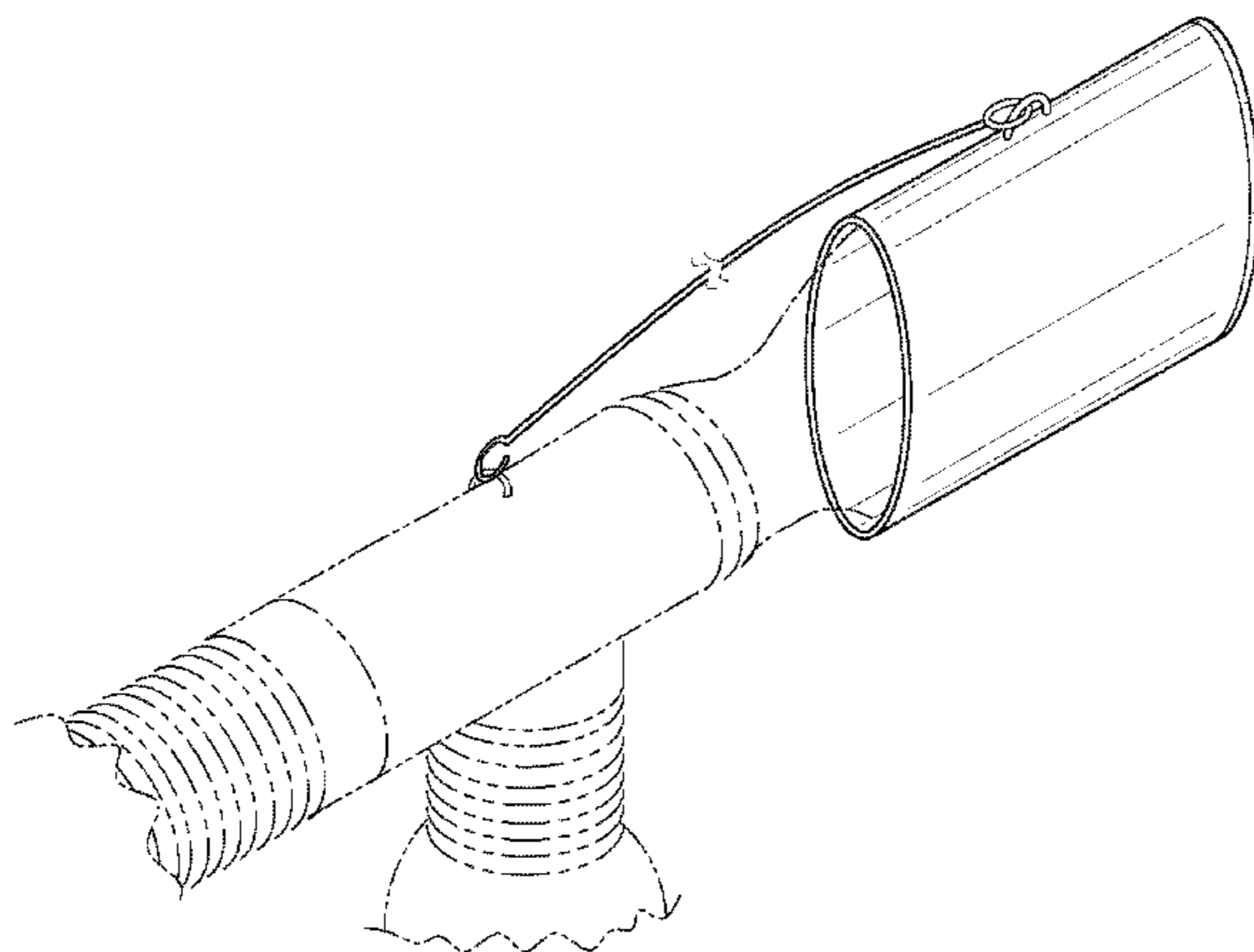
The ornamental design for a nebulizer mouthpiece protector, as shown and claimed.

DESCRIPTION

FIG. 1 is a perspective view of a nebulizer mouthpiece protector showing my new design;
 FIG. 2 is a side view thereof (opposite side same view);
 FIG. 3 is a front view thereof;
 FIG. 4 is a back view thereof;
 FIG. 5 is a top side view thereof; and,
 FIG. 6 is a bottom view thereof.

In FIG. 1, the broken lines showing of environmental structure for purposes of illustrating the nebulizer mouthpiece protector in a condition of use. The broken lines and the structure they depict form no part of the claimed design. The strap portion is shown broken in the middle along the length in all the drawing views to indicate indeterminate length, with the understanding that the “indeterminate” portion of the strap forms no part of the claimed design. Patentability is based only on those portions of the article that are shown in solid lines.

1 Claim, 4 Drawing Sheets



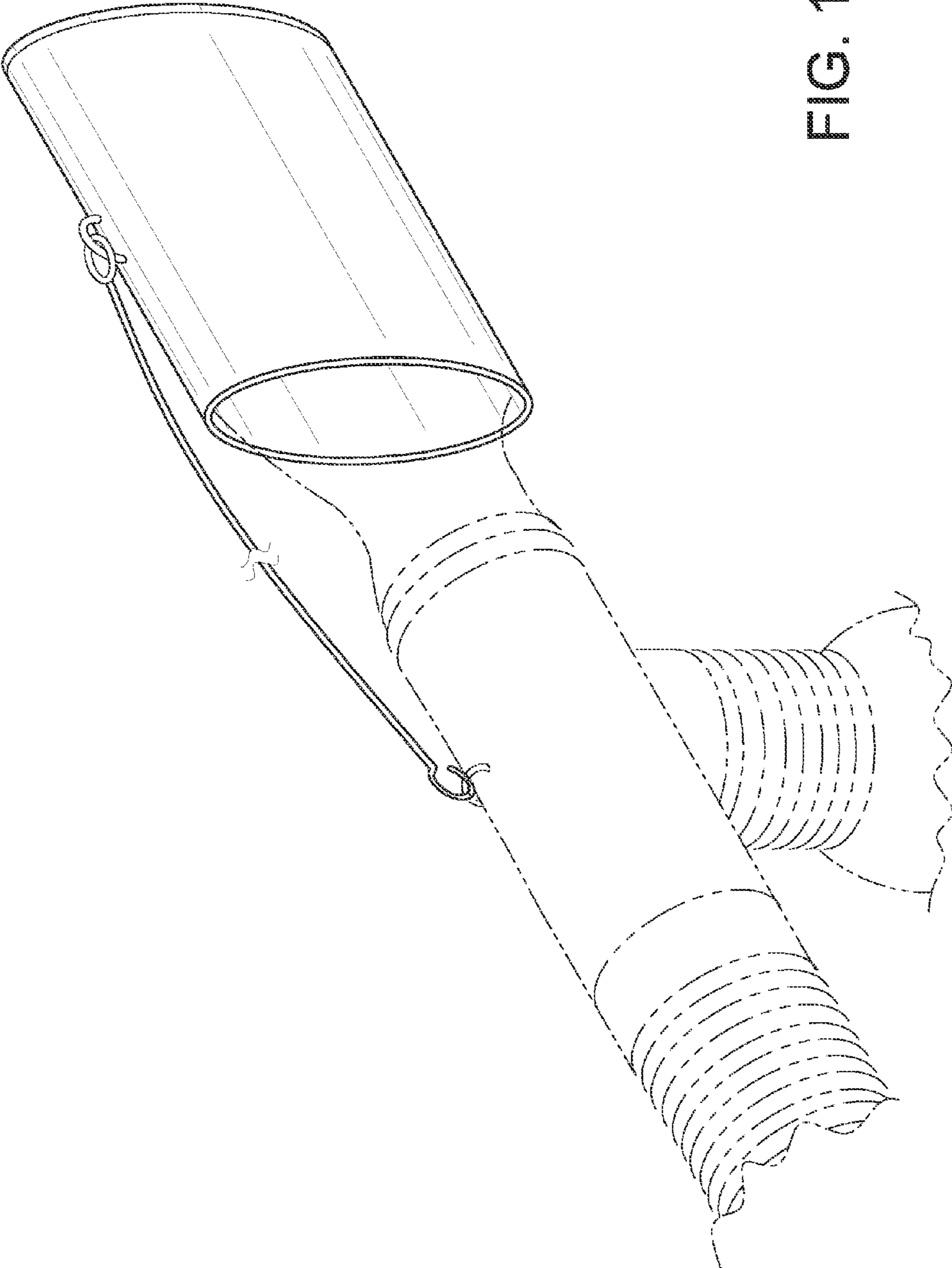


FIG. 1

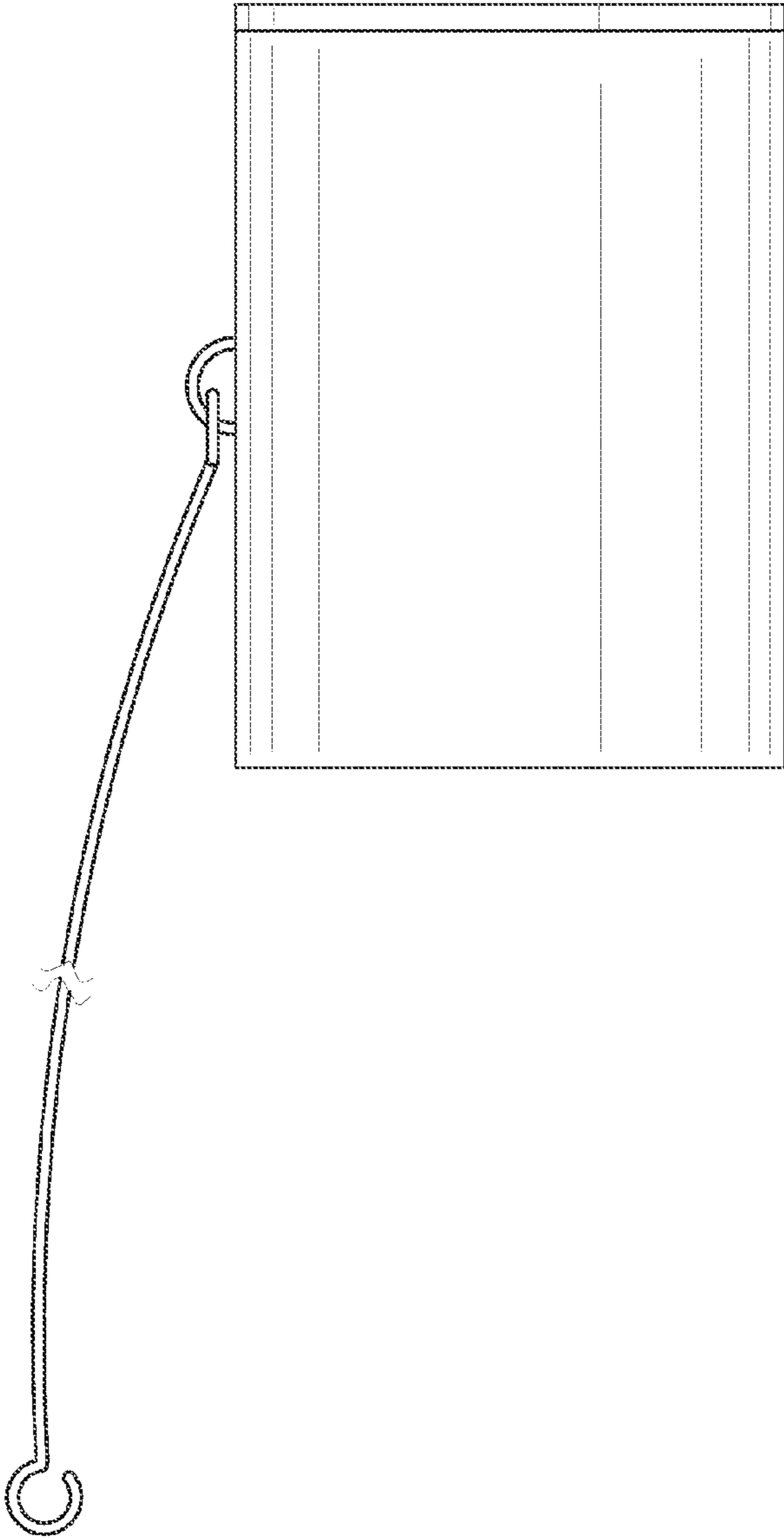


FIG. 2

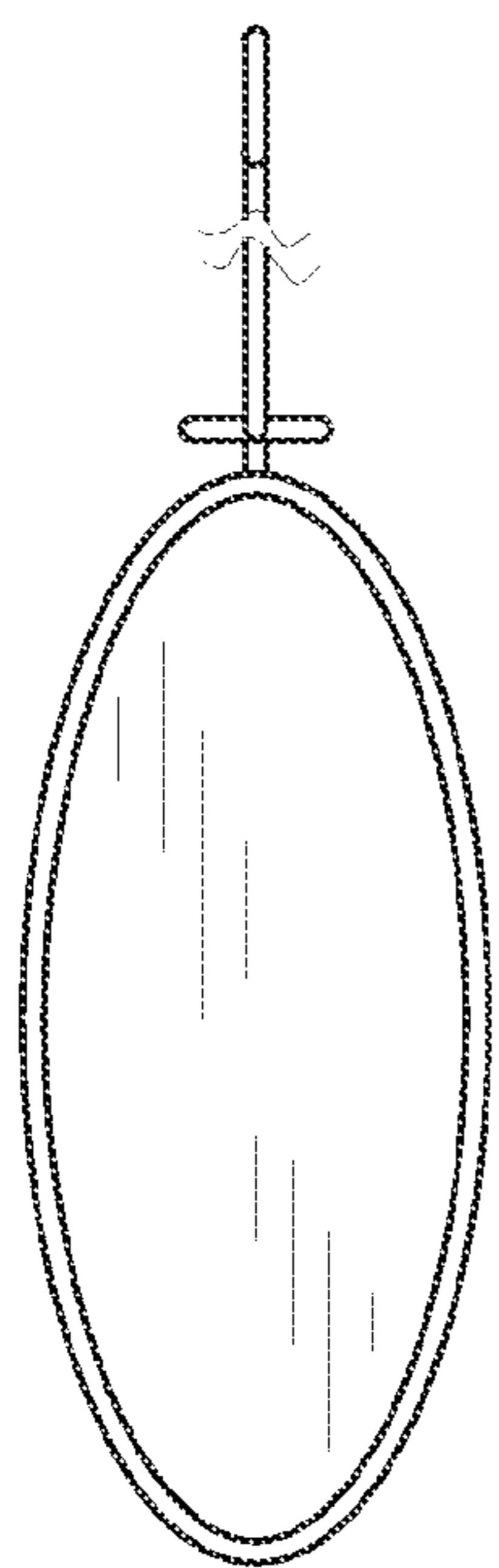


FIG. 3

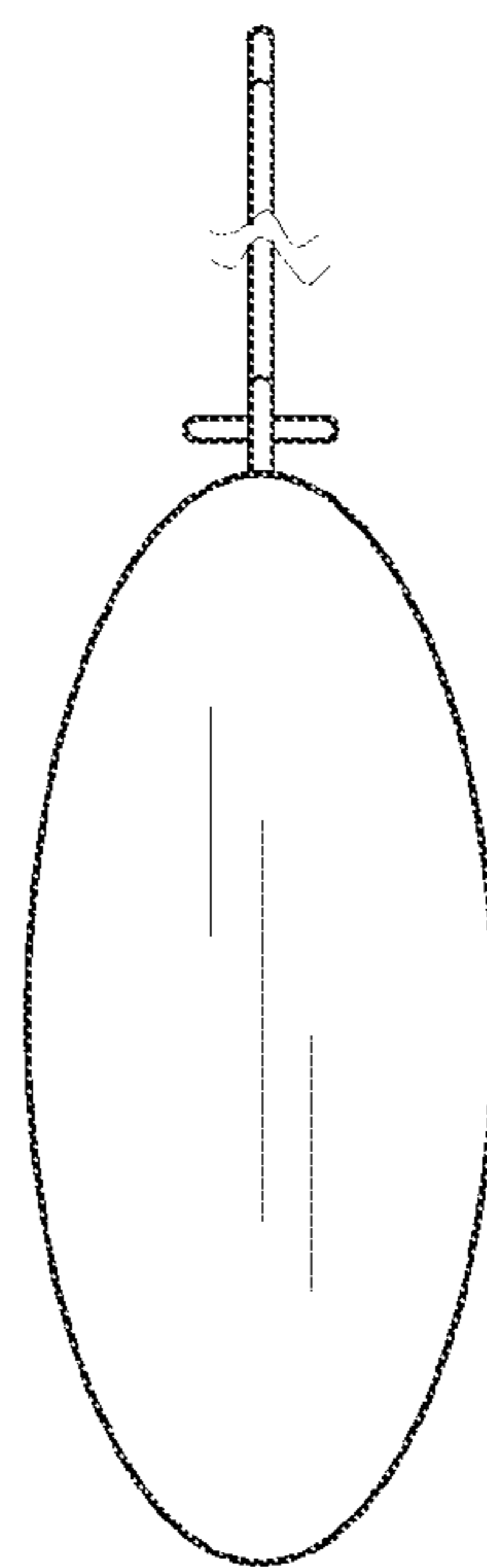


FIG. 4

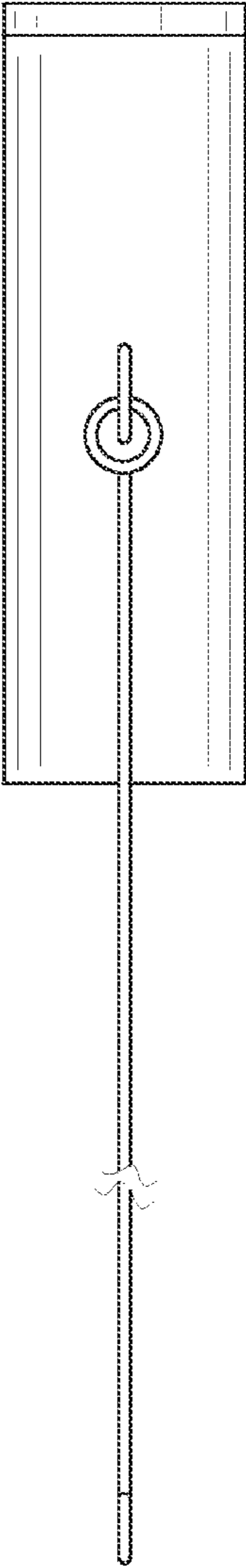


FIG. 5

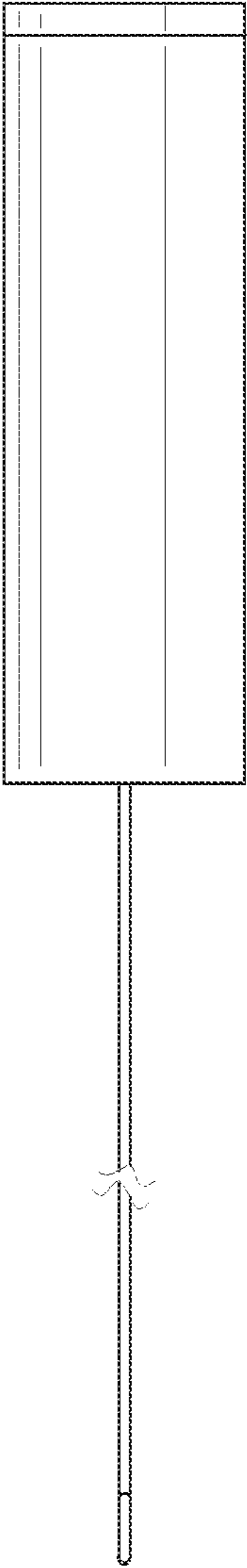


FIG. 6