



US00D651703S

(12) **United States Design Patent**
Ritzenhoff

(10) **Patent No.:** **US D651,703 S**
(45) **Date of Patent:** **** Jan. 3, 2012**

(54) **CONTAINER FOR STICK FRAGRANCE
DIFFUSERS**

(75) Inventor: **Andreas Ritzenhoff**, Marburg (DE)
(73) Assignee: **Seidel GmbH & Co. KG**, Marburg (DE)
(**) Term: **14 Years**

(21) Appl. No.: **29/365,697**
(22) Filed: **Jul. 13, 2010**

(30) **Foreign Application Priority Data**

Jan. 13, 2010 (DE) 00165617-4-0007

(51) **LOC (9) Cl.** **28-99**
(52) **U.S. Cl.** **D23/366**
(58) **Field of Classification Search** D23/355-369;
D28/5, 6; 261/DIG. 17, DIG. 42, DIG. 65,
261/DIG. 88, DIG. 89; 392/386, 390, 391,
392/392, 393, 394, 395; 239/34, 35, 44-47,
239/50, 53, 56, 60, 145, 326

See application file for complete search history.

(56) **References Cited**

U.S. PATENT DOCUMENTS

D434,481 S * 11/2000 Bornstein et al. D23/366
7,055,764 B1 * 6/2006 Martinez et al. 239/145
D596,732 S 7/2009 Butler et al.
D605,746 S 12/2009 Butler et al.
D620,574 S 7/2010 Jorgensen
7,819,336 B2 * 10/2010 Newman 239/44
2008/0217425 A1 9/2008 Butler et al.
2008/0308648 A1 12/2008 Pesu
2009/0039174 A1 2/2009 Gaines et al.
2009/0101729 A1 4/2009 Newman

OTHER PUBLICATIONS

Notice of Allowance issued in co-pending related U.S. Appl. No. 29/365,696 on Jul. 18, 2011.

* cited by examiner

Primary Examiner — Sandra Snapp

(74) *Attorney, Agent, or Firm* — Griffin & Szipl, P.C.

(57) **CLAIM**

The ornamental design for a container for stick fragrance diffusers, as shown and described.

DESCRIPTION

FIG. 1 is a front view of the container for stick fragrance diffusers of the present invention.

FIG. 2 is a plan view of the container of the present invention.

FIG. 3 is an oblique perspective view of the container of the present invention.

FIG. 4 is another oblique perspective view of the container of the present invention taken at a different angle than in FIG. 3.

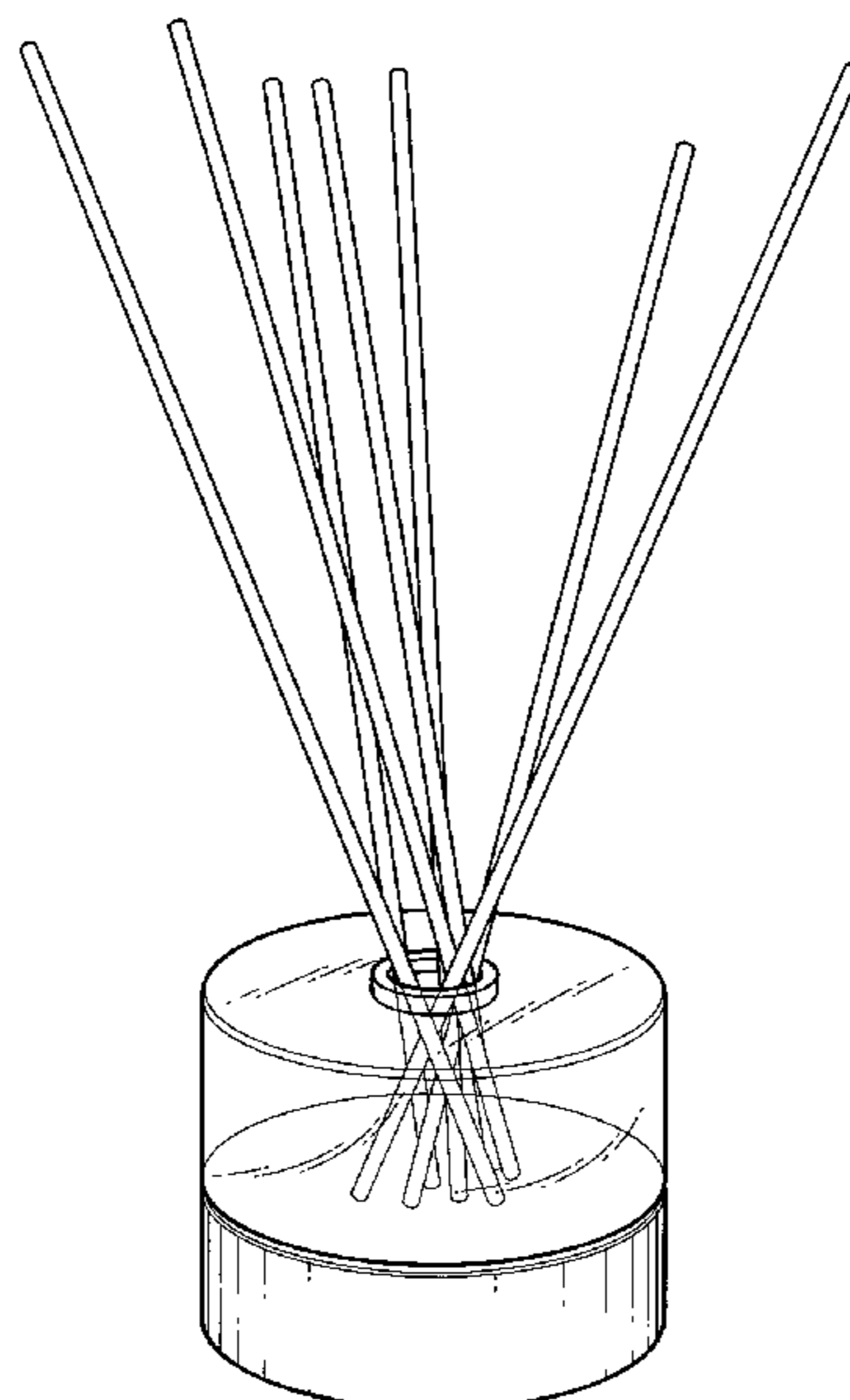
FIG. 5 is another oblique perspective view of the container of the present invention taken at a different angle than in FIGS. 3 and 4; and,

FIG. 6 is a bottom view of the container of the present invention.

The broken lines shown in the drawings are for illustrative purposes only and form no part of the claimed design.

Any indicia shown in broken lines in the drawings form no part of the design to be patented. The container, which is shown to include two segments (i.e., an upper segment, and a lower segment), is designed so that the upper segment is transparent and the lower segment is opaque so that, as part of the design, the stick fragrance diffusers are visible through the transparent upper segment.

1 Claim, 6 Drawing Sheets



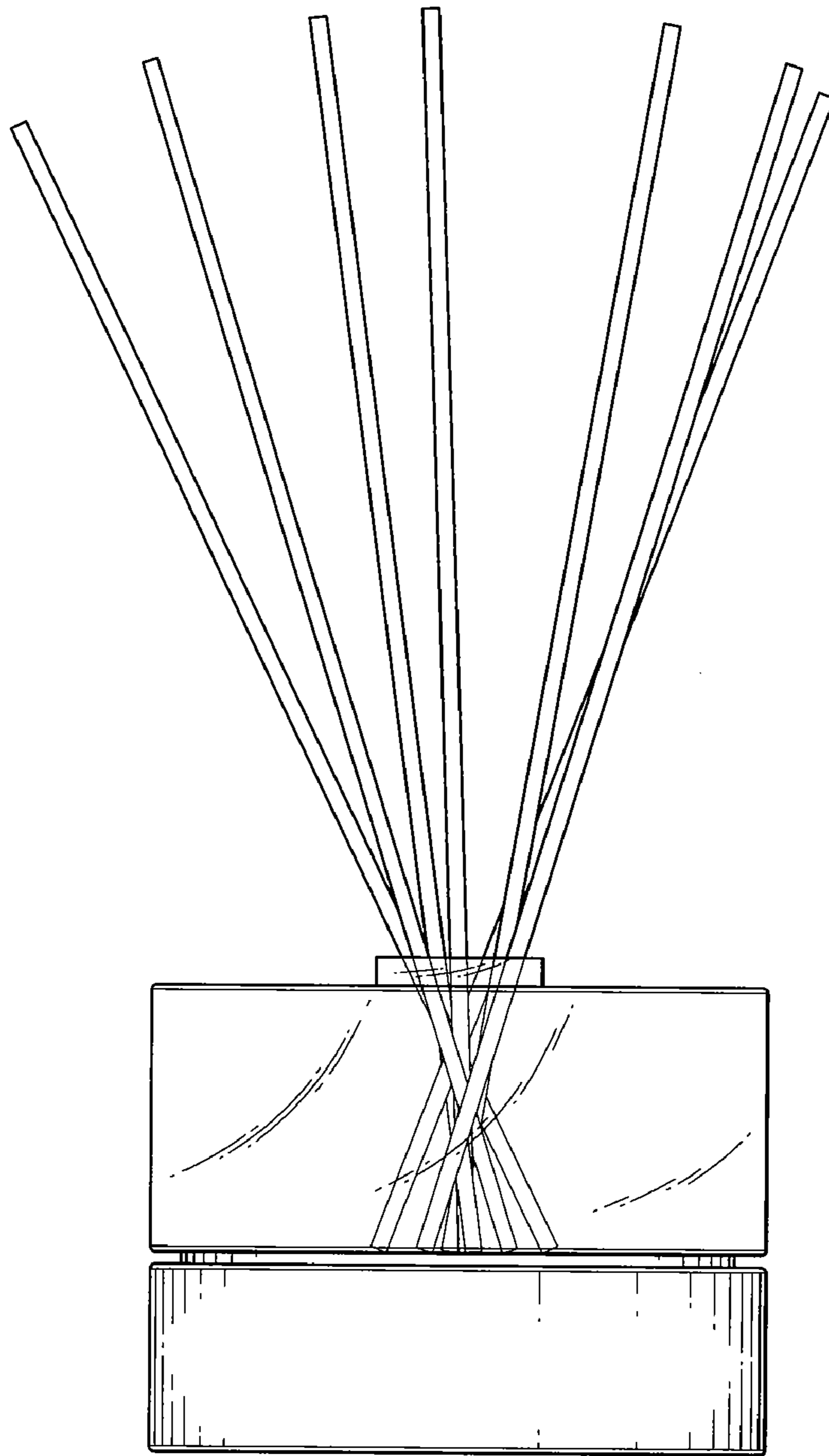


FIG. 1

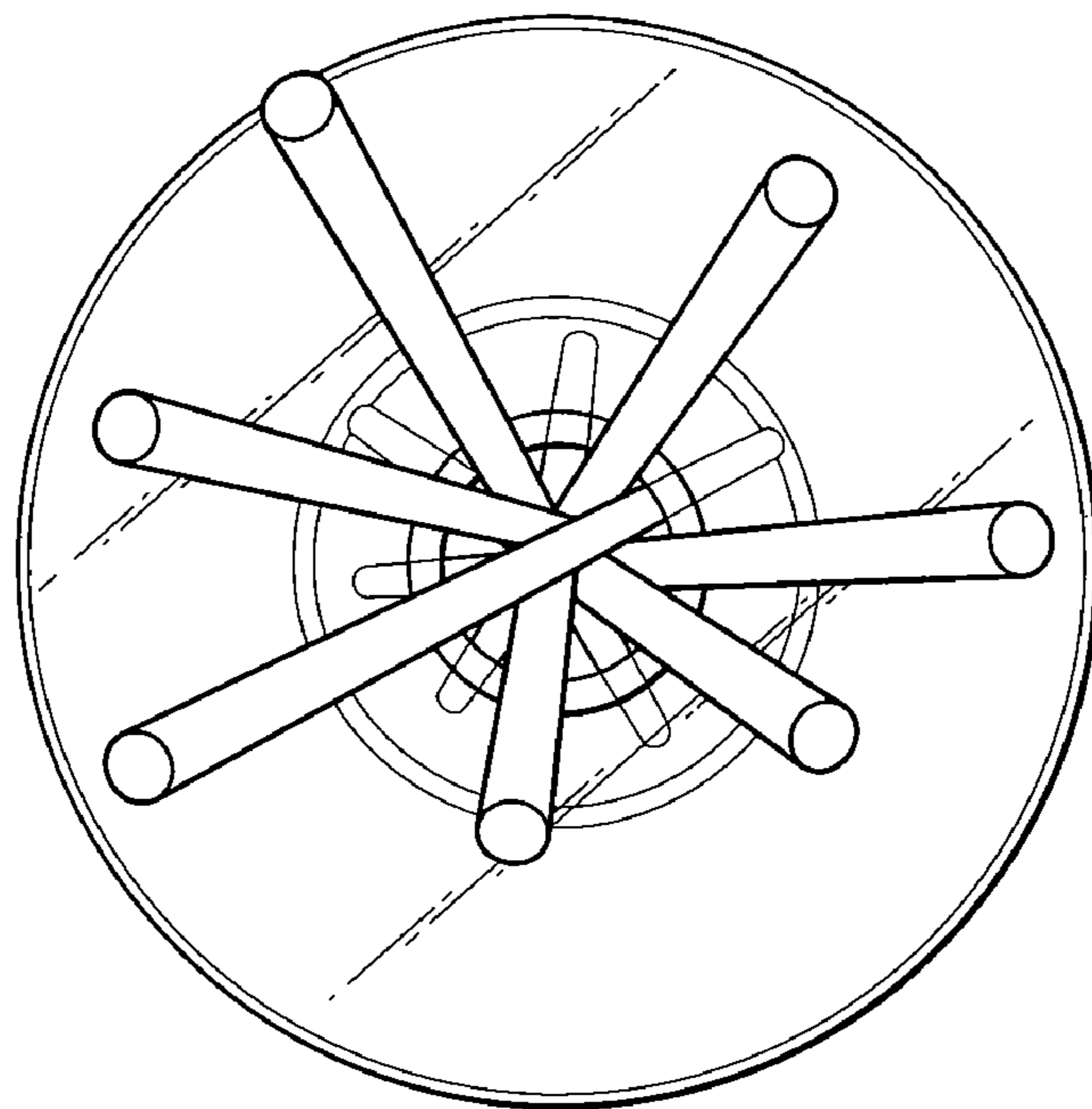


FIG. 2

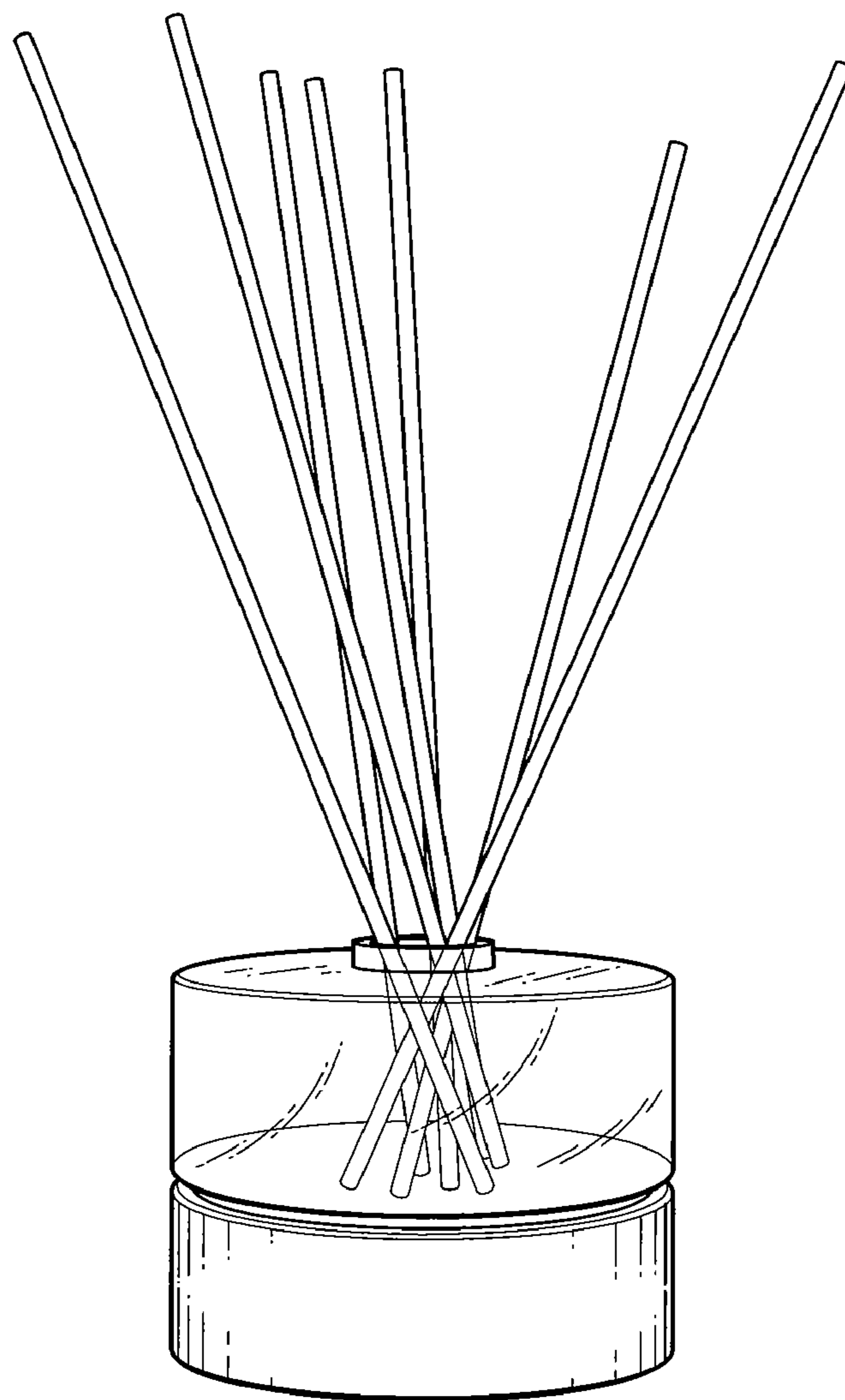


FIG. 3

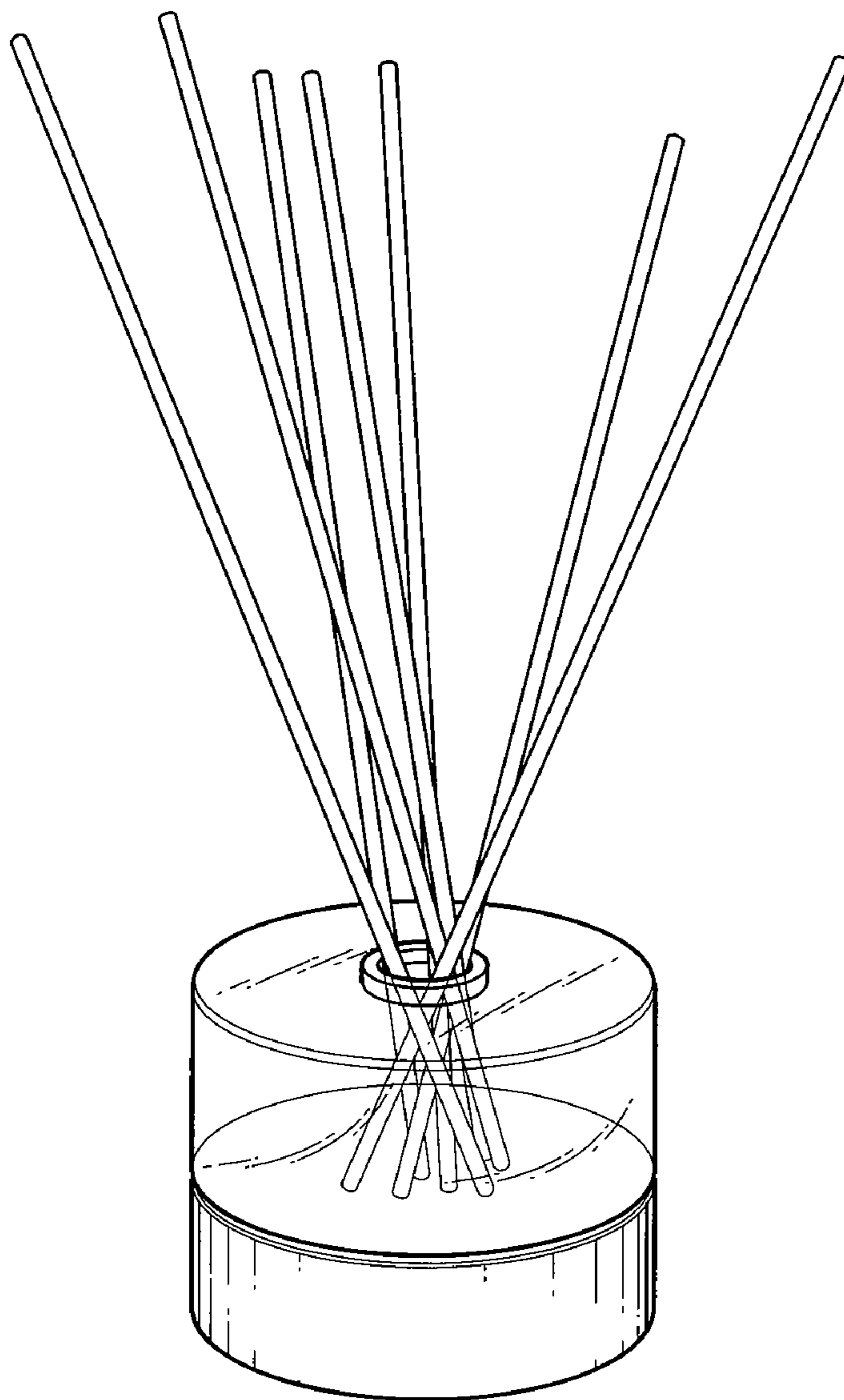


FIG. 4

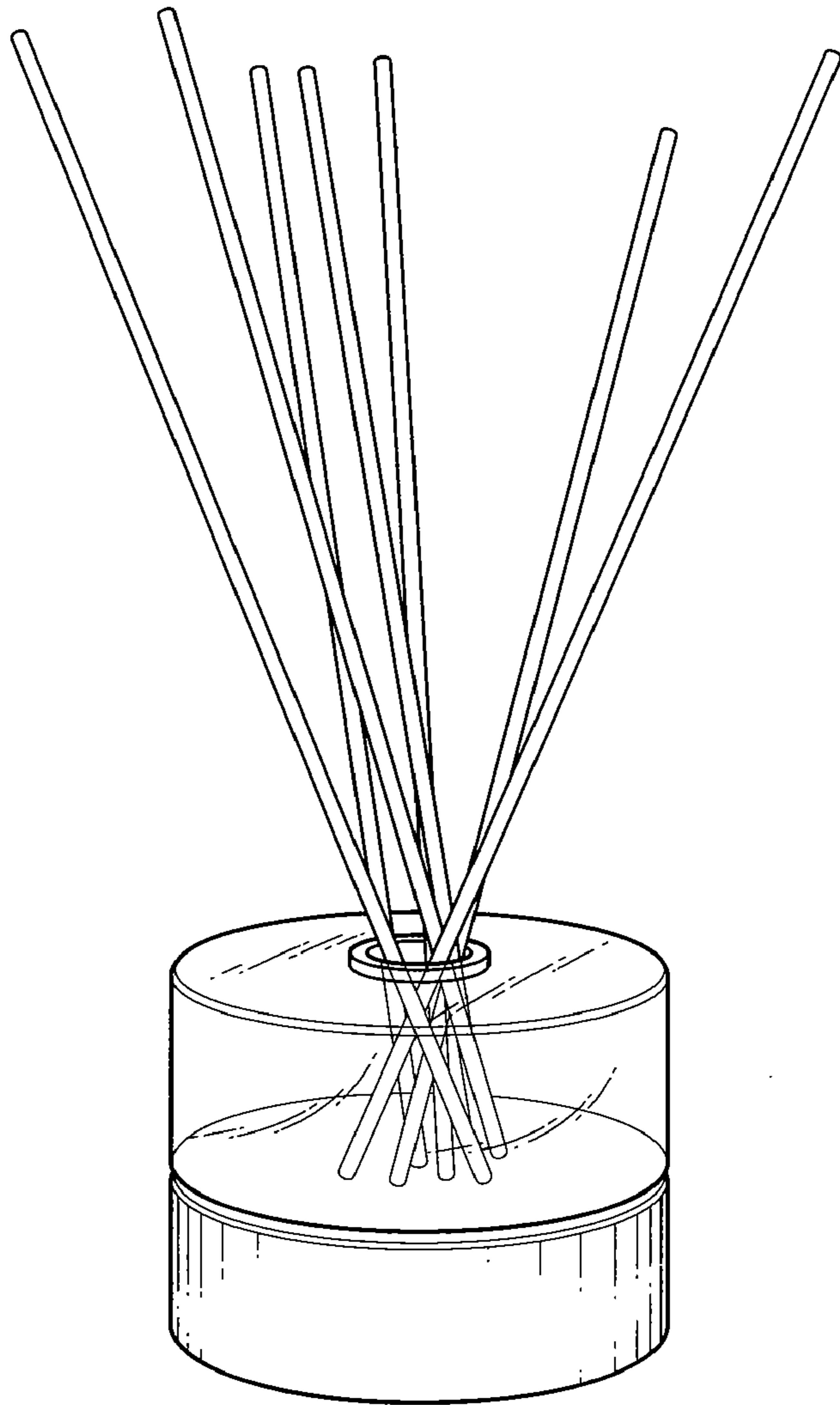


FIG. 5

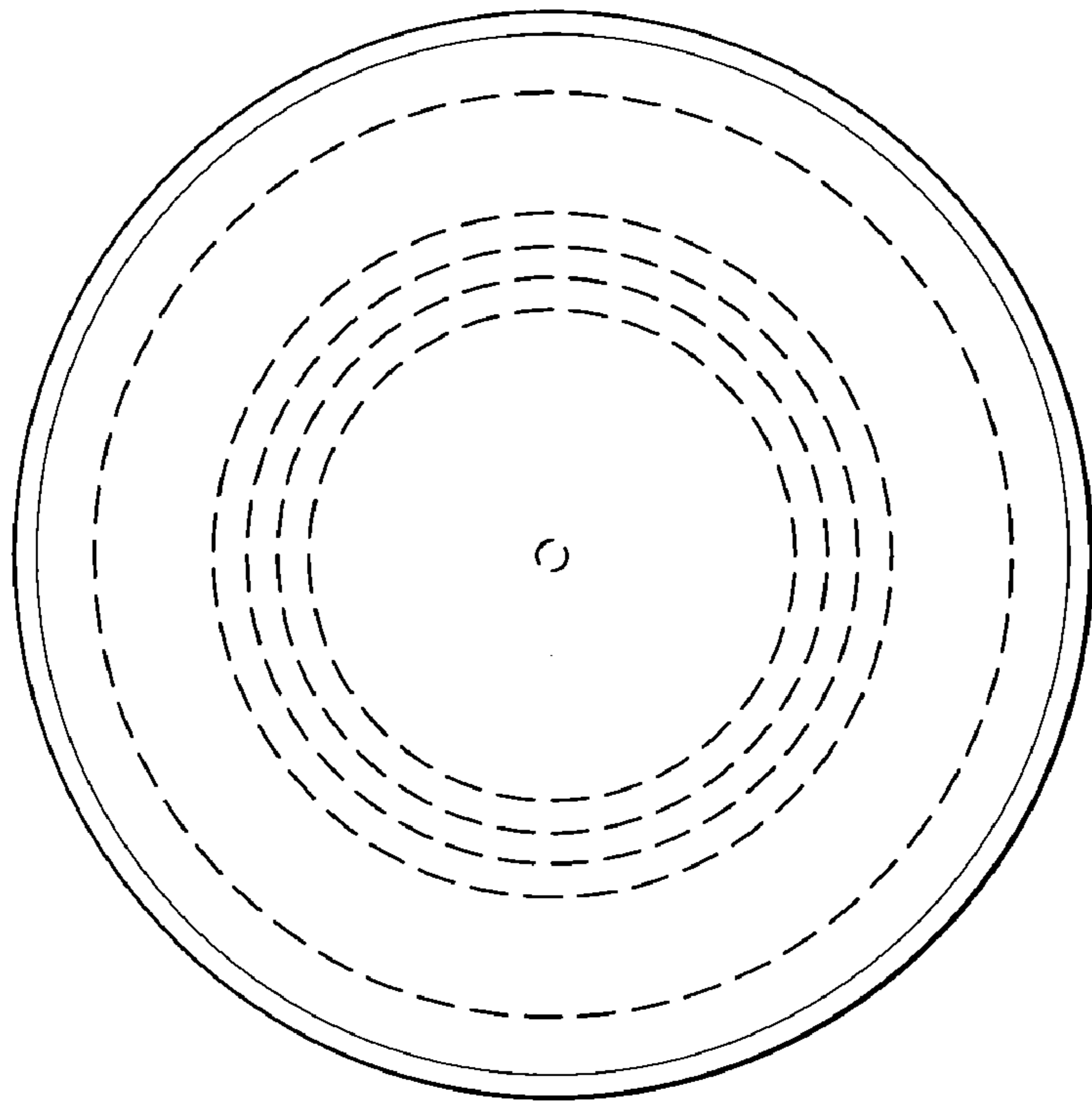


FIG. 6