



US00D651699S

(12) **United States Design Patent**  
**Booth et al.**

(10) **Patent No.:** **US D651,699 S**  
(45) **Date of Patent:** **\*\* Jan. 3, 2012**

(54) **SINK**

(75) Inventors: **Shawn J. Booth**, Sheboygan, WI (US);  
**Herbert V. Kohler, Jr.**, Kohler, WI (US)

(73) Assignee: **Kohler Co.**, Kohler, WI (US)

(\*\*) Term: **14 Years**

(21) Appl. No.: **29/386,020**

(22) Filed: **Feb. 23, 2011**

(51) **LOC (9) Cl.** ..... **23-02**

(52) **U.S. Cl.** ..... **D23/284**

(58) **Field of Classification Search** ..... D23/272–274,  
D23/284, 286–287, 290, 293.1, 303, 308;  
4/619, 639, 642

See application file for complete search history.

(56) **References Cited**

**U.S. PATENT DOCUMENTS**

D473,294 S *	4/2003	Genslak et al.	.....	D23/293.1
D492,983 S *	7/2004	Rachiele	.....	D23/293.1
D494,665 S *	8/2004	Herbeau	.....	D23/293.1
D501,541 S *	2/2005	Gordon	.....	D23/284
D556,297 S *	11/2007	Baade et al.	.....	D23/286

**OTHER PUBLICATIONS**

- Songbath.com. Apron front kitchen sink. Songbath.com online catalog.
- Instawares.com. GSW Stainless Steel Corner Drain Sink Bowl—18×24in. Instawares.com online catalog.
- Belle Foret. “Apron Front Kitchen Sink”. Model No. BFF1KIT. BelleForet.com online catalog. All Contents Copyright 2006, Your ‘Other’ Warehouse.
- Kohler Co. “Dickinson Apron-Front, Tile-in Kitchen Sink”. Model No. K-6546-3. Kohler Co. online catalog. Copyright 2011 Kohler Co.
- Kohler Co. “Dickinson Apron-Front, Tile-in Kitchen Sink”. Model No. K-6546-4. Kohler Co. online catalog. Copyright 2011 Kohler Co.
- Kohler Co. “Dickinson Apron-Front, Tile-in Kitchen Sink”. Model No. K-6546-4U. Kohler Co. online catalog. Copyright 2011 Kohler Co.
- Kohler Co. “Hawthorne Apron-Front, Tile-in Kitchen Sink”. Model No. K-6534-3. Kohler Co. online catalog. Copyright 2011 Kohler Co.

- Kohler Co. “Hawthorne Apron-Front, Tile-in Kitchen Sink”. Model No. K-6534-4. Kohler Co. online catalog. Copyright 2011 Kohler Co.
- Kohler Co. “Hawthorne Apron-Front, Tile-in Kitchen Sink”. Model No. K-6534-4U. Kohler Co. online catalog. Copyright 2011 Kohler Co.
- Lyons. “Premium 34×23 Apron Sink”. Model No. KSxxAP 3.5. Lyons brochure.
- Kallista. “For Loft by Michael S. Smith Fireclay Kitchen Sink with Drainboard.” Model No. L20300. Kallista.com online catalog. Copyright 2011 Kohler Co.
- Kallista. “For Loft by Michael S. Smith Fireclay Kitchen Sink”. Model No. L20301. Kallista.com online catalog. Copyright 2011 Kohler Co.
- Kallista. “For Town by Michael S. Smith Kitchen Sink”. Model No. L20303. Kallista.com online catalog. Copyright 2011 Kohler Co.
- Rohl. Apron Front Sink.
- Shaws Original. Apron Sink.

\* cited by examiner

*Primary Examiner* — Robert Delehanty

(74) *Attorney, Agent, or Firm* — Foley & Lardner LLP

(57) **CLAIM**

The ornamental design for a sink, as shown and described.

**DESCRIPTION**

- FIG. 1 is a top, left, front perspective view of a sink according to an embodiment of our new design;
- FIG. 2 is a top, right, rear perspective view thereof;
- FIG. 3 is a top plan view thereof;
- FIG. 4 is a front elevational view thereof;
- FIG. 5 is a left side elevational view thereof;
- FIG. 6 is a right side elevational view thereof;
- FIG. 7 is a rear elevational view thereof;
- FIG. 8 is a bottom plan view thereof;
- FIG. 9 is a top, right, front perspective view of a sink according to another embodiment of our new design in which the various views thereof are mirror images of the views shown in FIGS. 2-8;
- FIG. 10 is a top, left, front perspective view of a sink according to another embodiment of our new design;
- FIG. 11 is a top, right, rear perspective view thereof;
- FIG. 12 is a top plan view thereof;
- FIG. 13 is a front elevational view thereof;

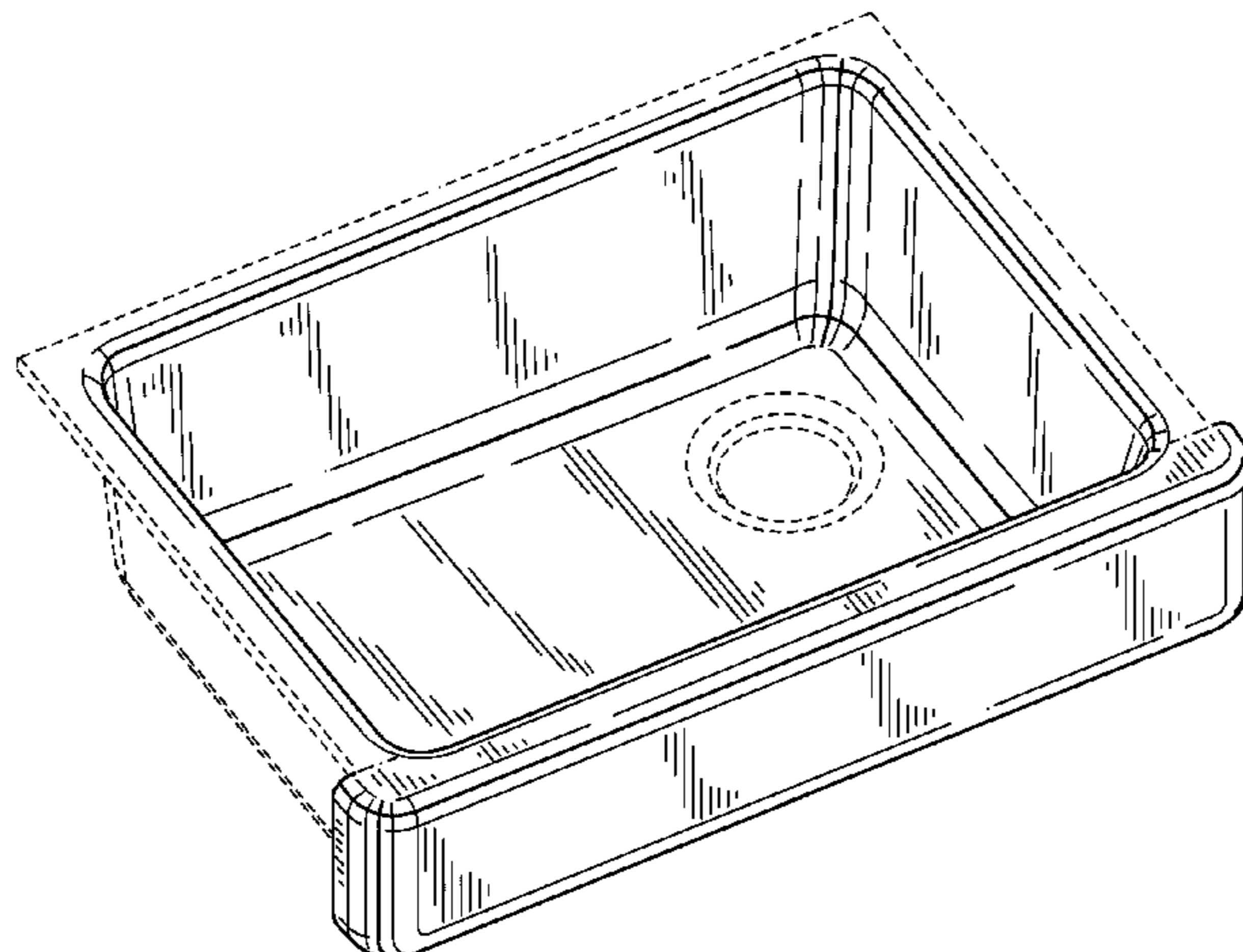


FIG. 14 is a left side elevational view thereof;  
FIG. 15 is a right side elevational view thereof;  
FIG. 16 is a rear elevational view thereof;  
FIG. 17 is a bottom plan view thereof;  
FIG. 18 is a top, right, front perspective view of a sink according to another embodiment of our new design in which the various views thereof are mirror images of the views shown in FIGS. 11-17;  
FIG. 19 is a top, left, front perspective view of a sink according to another embodiment of our new design;  
FIG. 20 is a top, right, rear perspective view thereof;  
FIG. 21 is a top plan view thereof;  
FIG. 22 is a front elevational view thereof;  
FIG. 23 is a left side elevational view thereof;  
FIG. 24 is a right side elevational view thereof;  
FIG. 25 is a rear elevational view thereof;  
FIG. 26 is a bottom plan view thereof;  
FIG. 27 is a top, right, front perspective view of a sink according to another embodiment of our new design in which the various views thereof are mirror images of the views shown in FIGS. 22-26;  
FIG. 28 is a top, left, front perspective view of a sink according to another embodiment of our new design;  
FIG. 29 is a top, right, rear perspective view thereof;  
FIG. 30 is a top plan view thereof;  
FIG. 31 is a front elevational view thereof;  
FIG. 32 is a left side elevational view thereof;  
FIG. 33 is a right side elevational view thereof;  
FIG. 34 is a rear elevational view thereof;  
FIG. 35 is a bottom plan view thereof;  
FIG. 36 is a top, right, front perspective view of a sink according to another embodiment of our new design in which the various views thereof are mirror images of the views shown in FIGS. 29-35;

FIG. 37 is a top, left, front perspective view of a sink according to another embodiment of our new design;  
FIG. 38 is a top, right, rear perspective view thereof;  
FIG. 39 is a top plan view thereof;  
FIG. 40 is a front elevational view thereof;  
FIG. 41 is a left side elevational view thereof;  
FIG. 42 is a right side elevational view thereof;  
FIG. 43 is a rear elevational view thereof;  
FIG. 44 is a bottom plan view thereof;  
FIG. 45 is a top, right, front perspective view of a sink according to another embodiment of our new design in which the various views thereof are mirror images of the views shown in FIGS. 38-44;  
FIG. 46 is a top, left, front perspective view of a sink according to another embodiment of our new design;  
FIG. 47 is a top, right, rear perspective view thereof;  
FIG. 48 is a top plan view thereof;  
FIG. 49 is a front elevational view thereof;  
FIG. 50 is a left side elevational view thereof;  
FIG. 51 is a right side elevational view thereof;  
FIG. 52 is a rear elevational view thereof;  
FIG. 53 is a bottom plan view thereof; and,  
FIG. 54 is a top, right, front perspective view of a sink according to another embodiment of our new design in which the various views thereof are mirror images of the views shown in FIGS. 47-53.

The dash-dash broken lines in the figures are for the purpose of illustrating unclaimed surfaces or environment of the design. The dot-dash-dot broken lines in the figures define unclaimed boundaries of the design. The broken lines are thus not part of the claim.

**1 Claim, 48 Drawing Sheets**

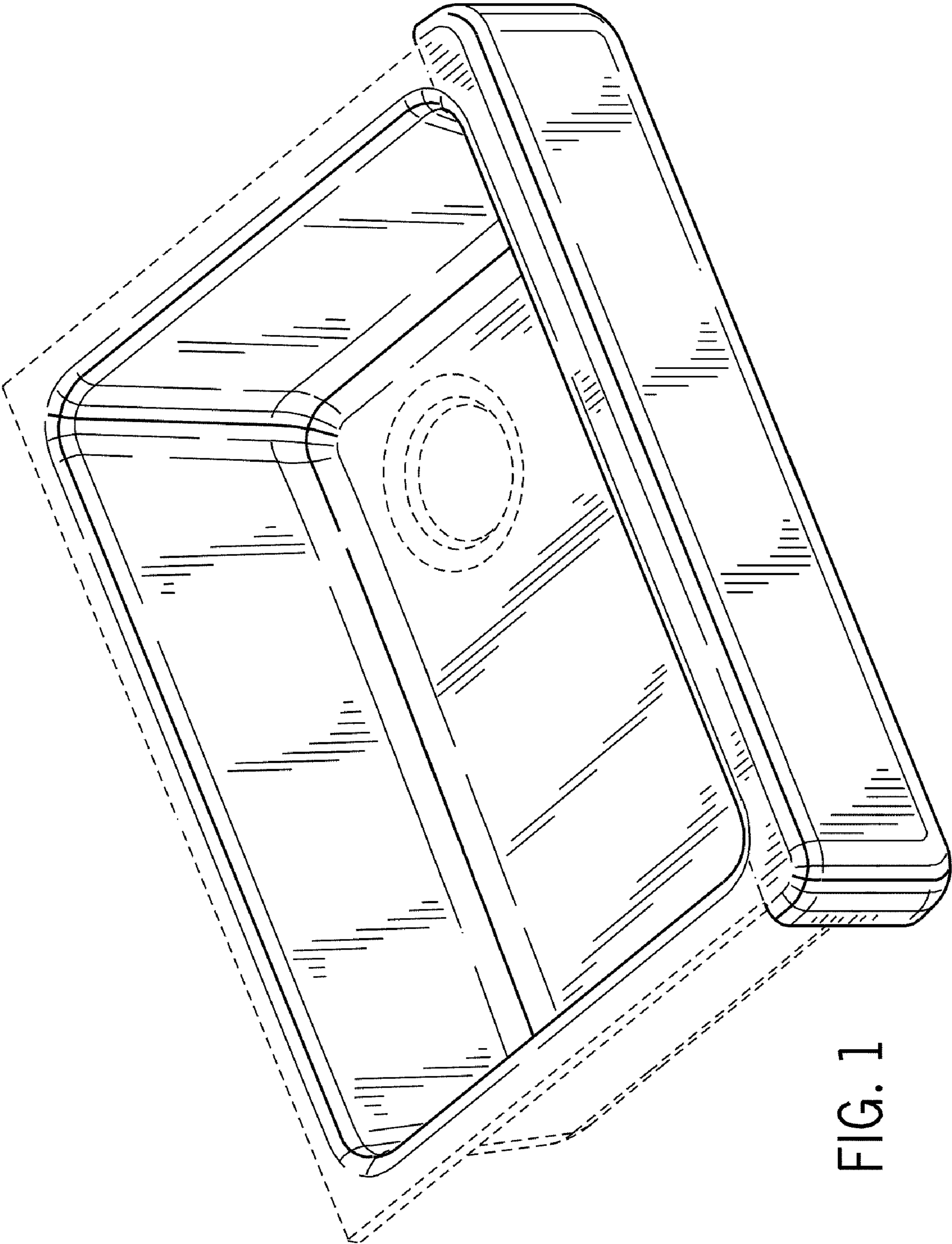


FIG. 1

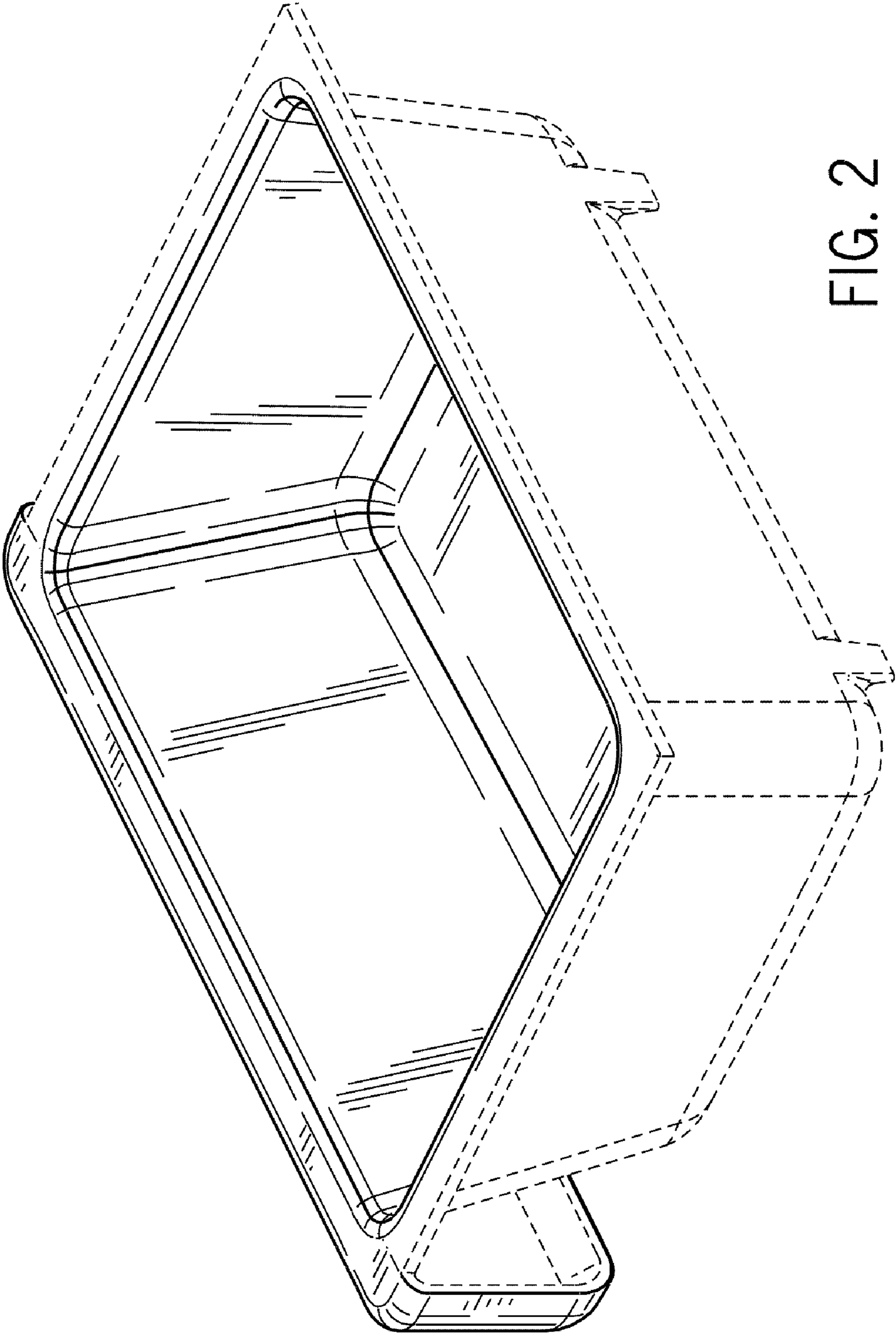


FIG. 2

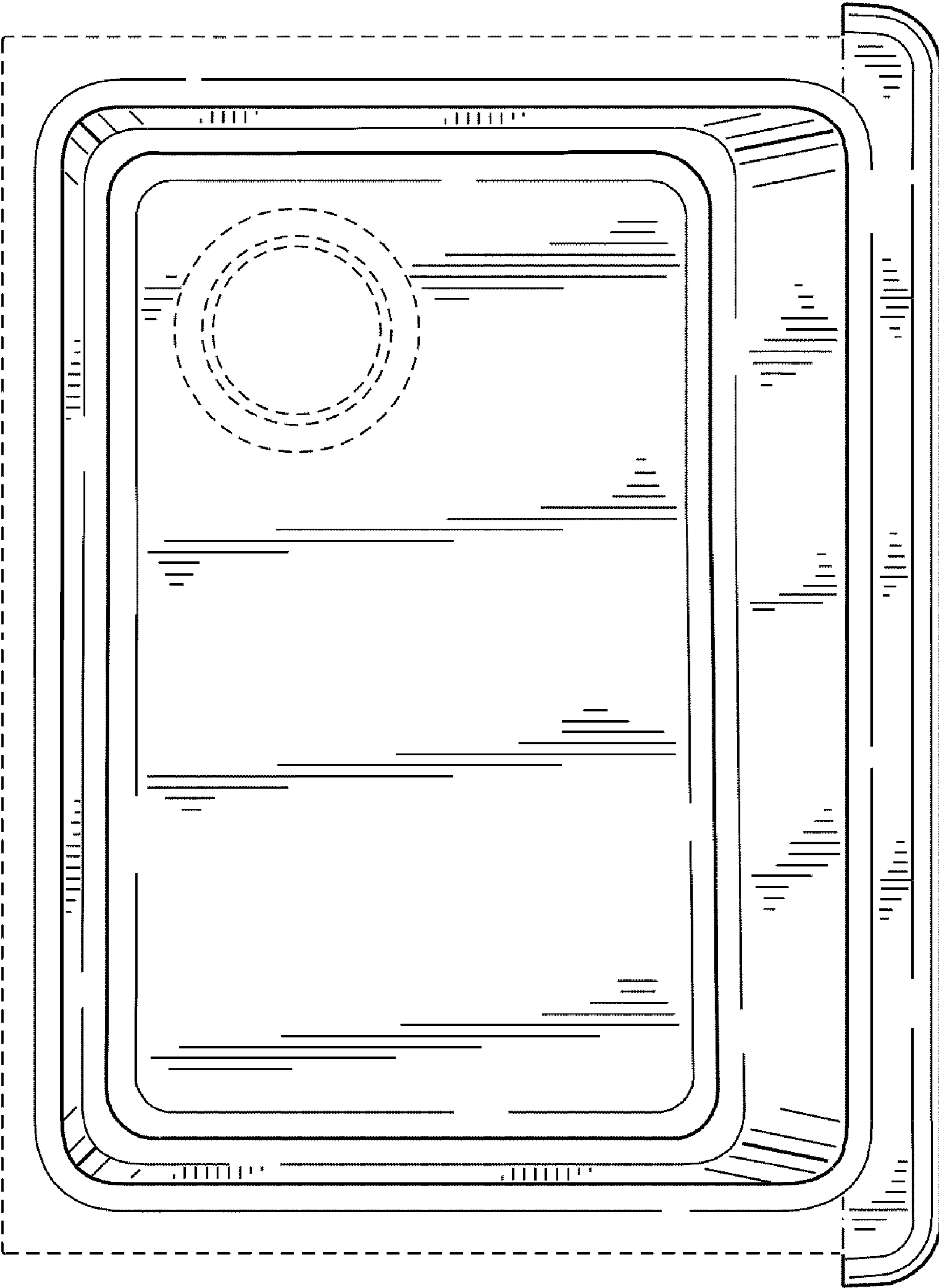


FIG. 3

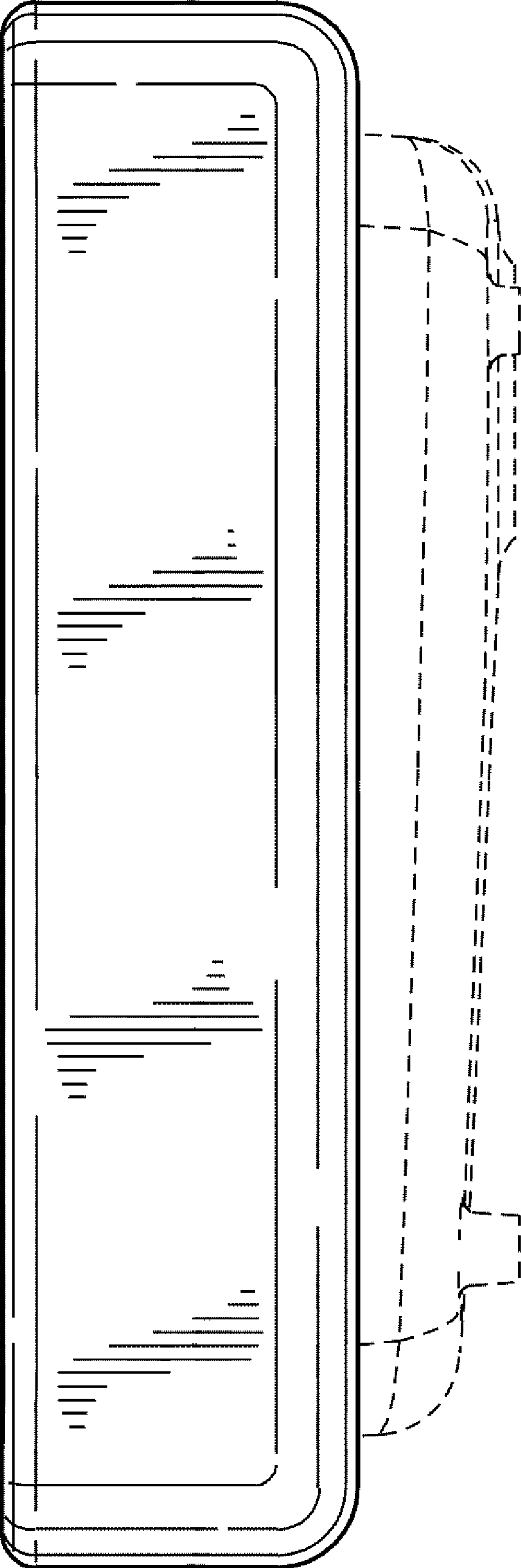


FIG. 4

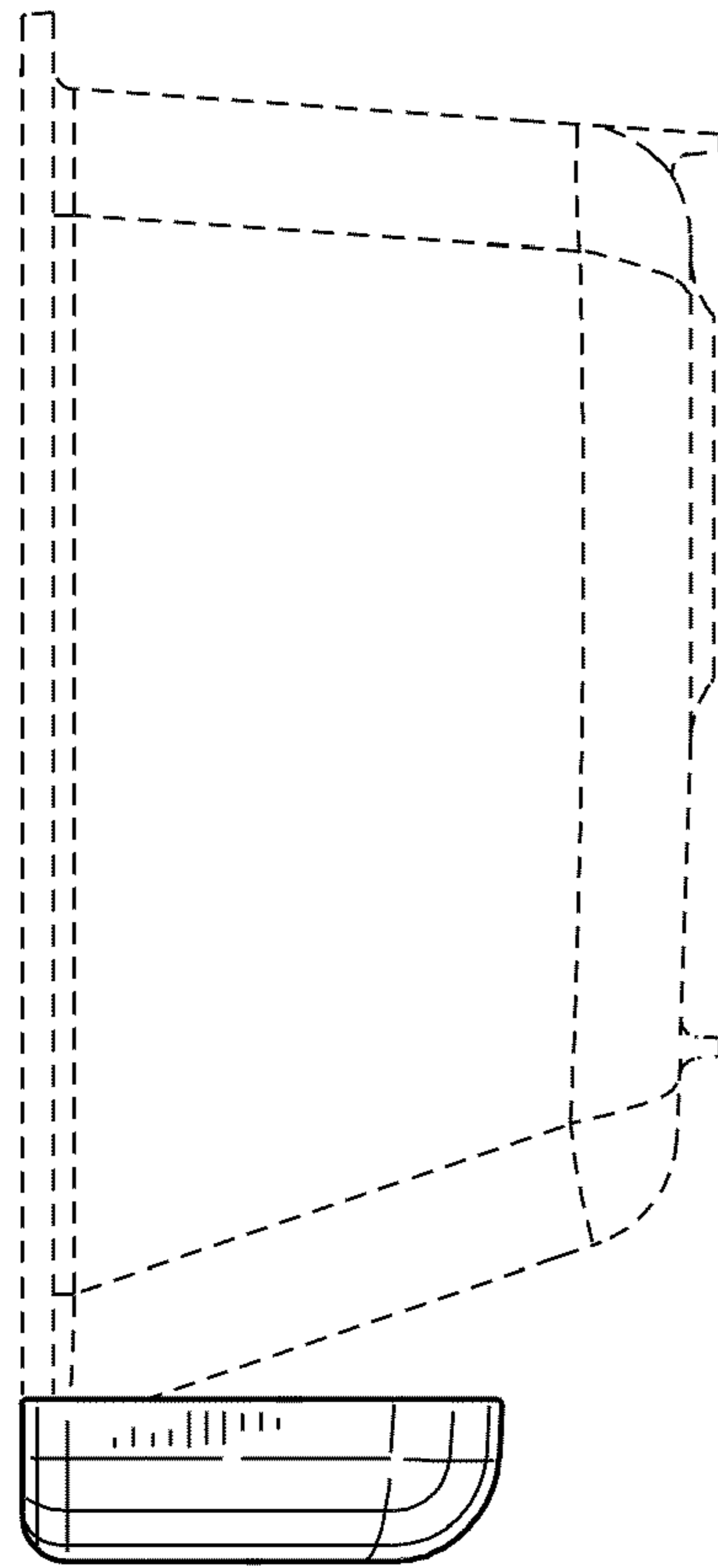


FIG. 5

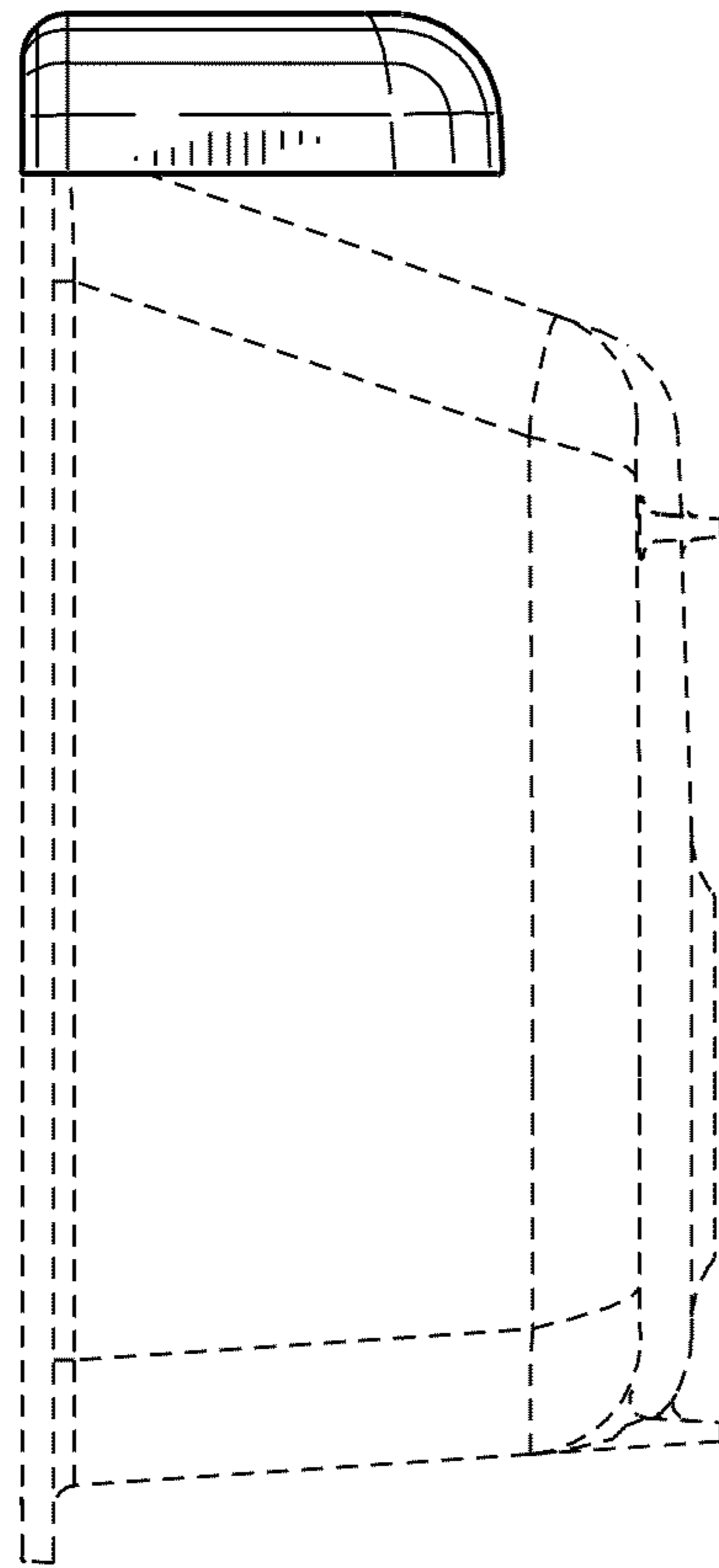


FIG. 6

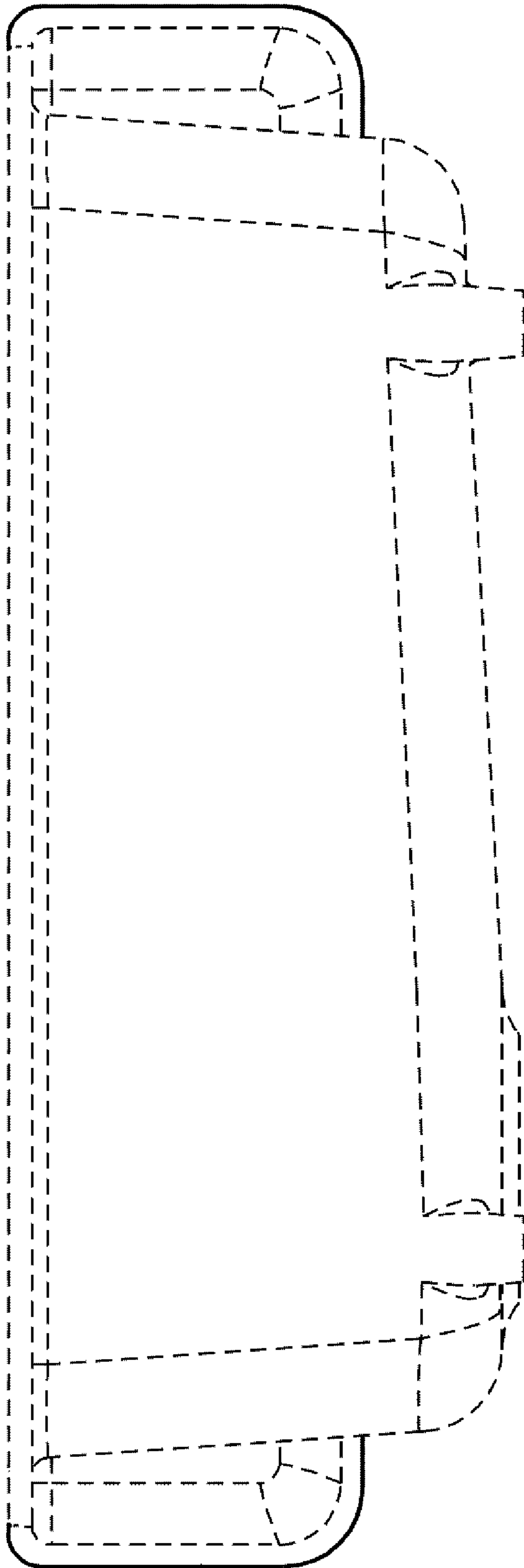


FIG. 7



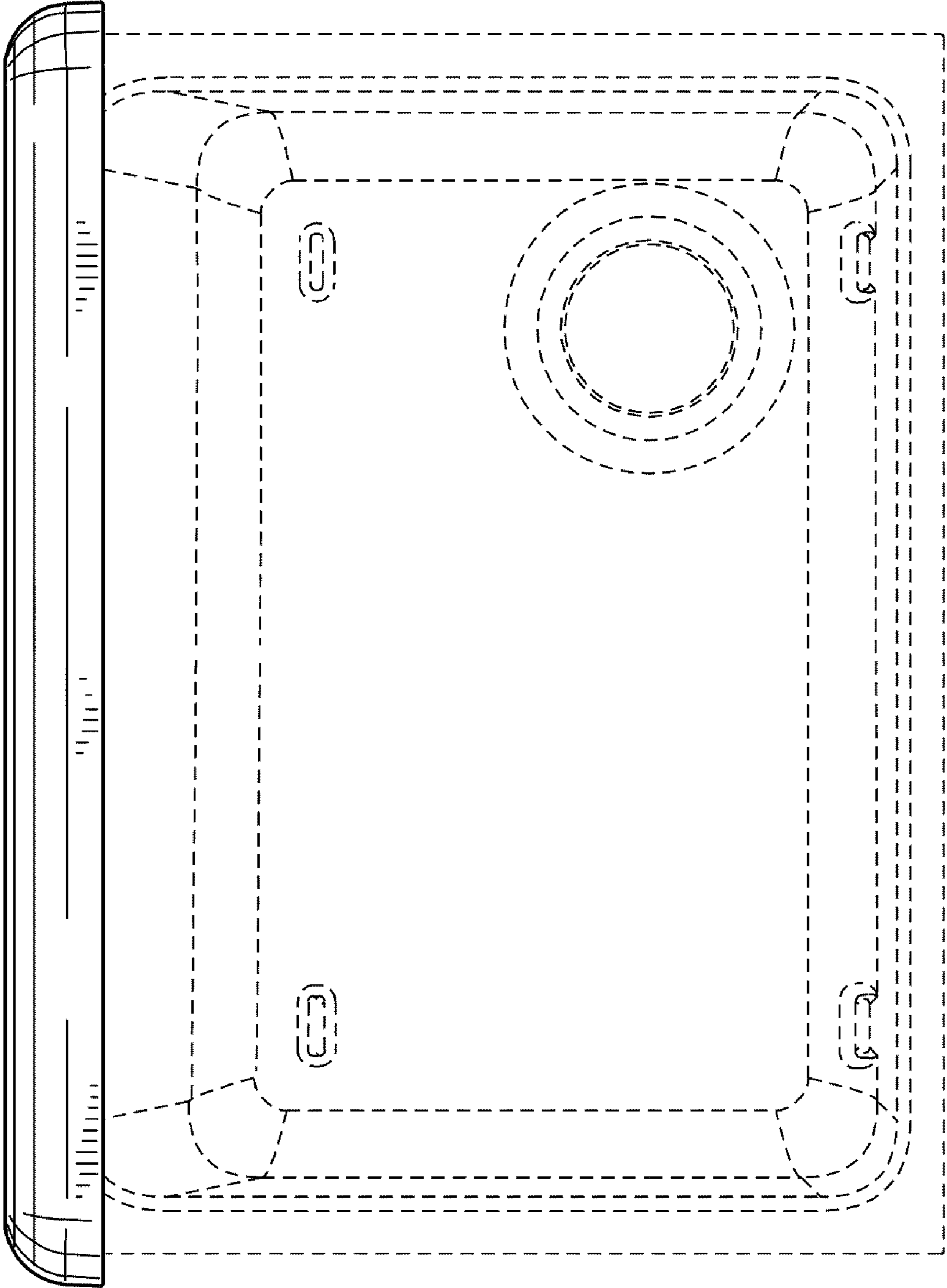


FIG. 8

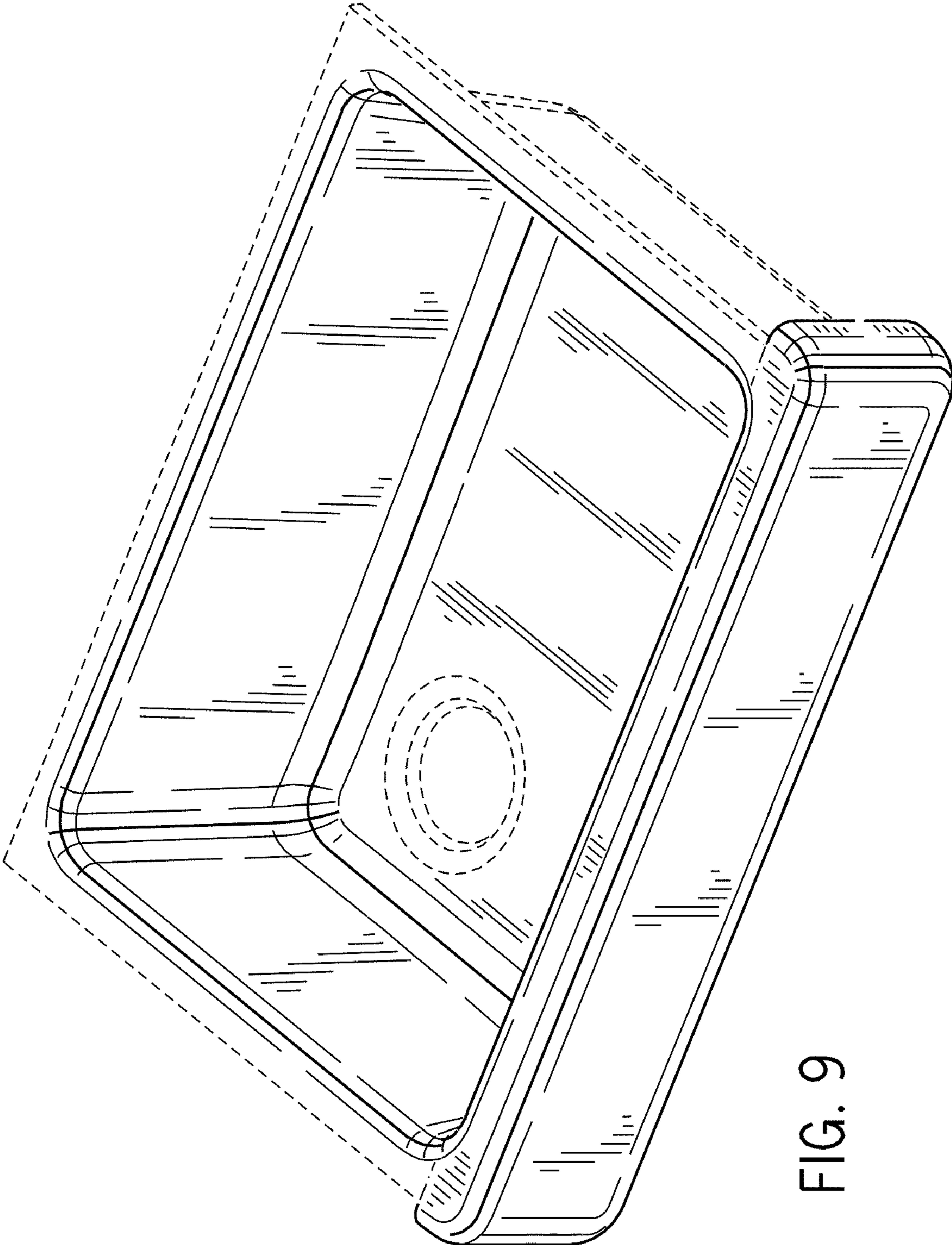


FIG. 9

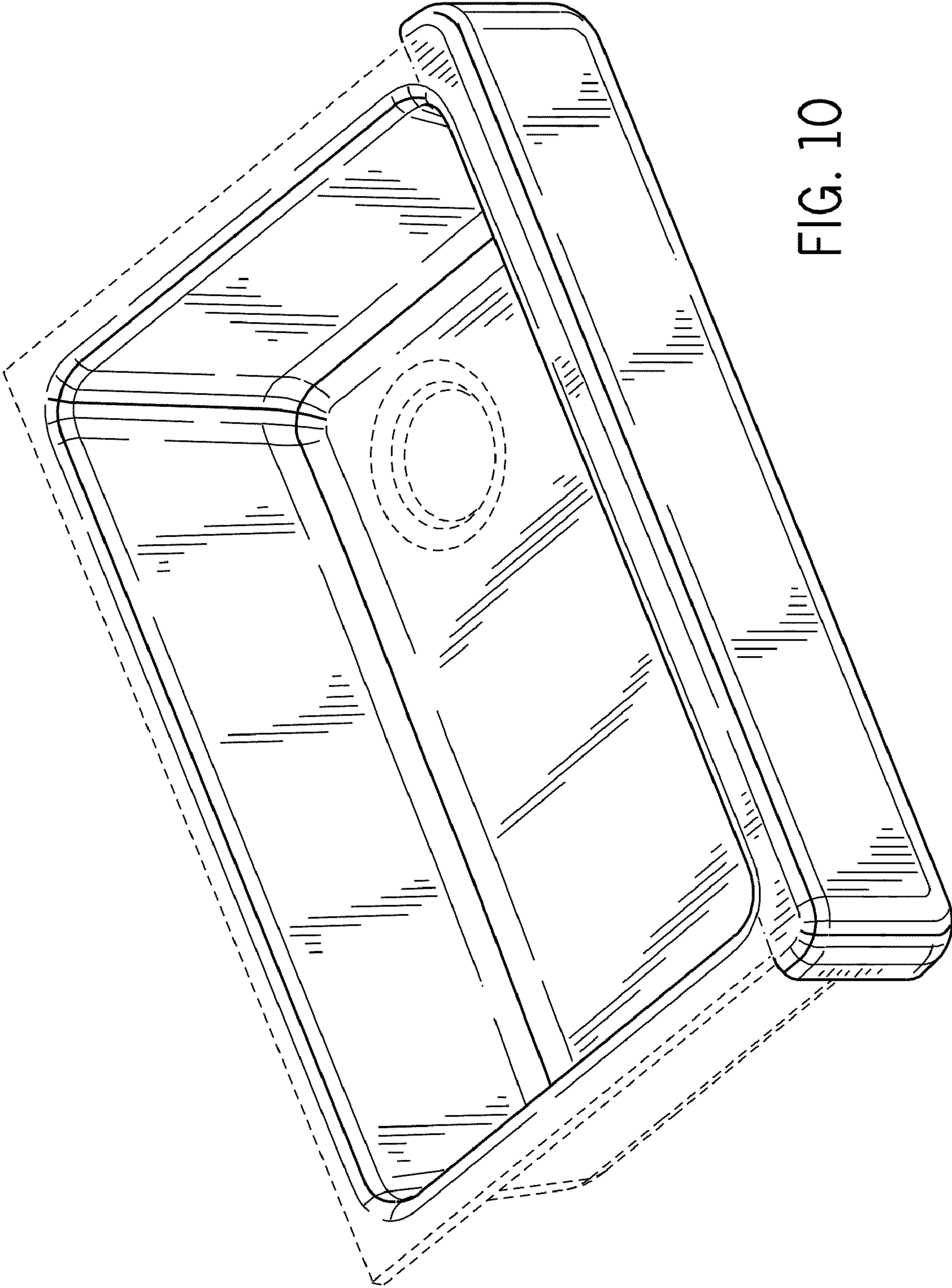


FIG. 10

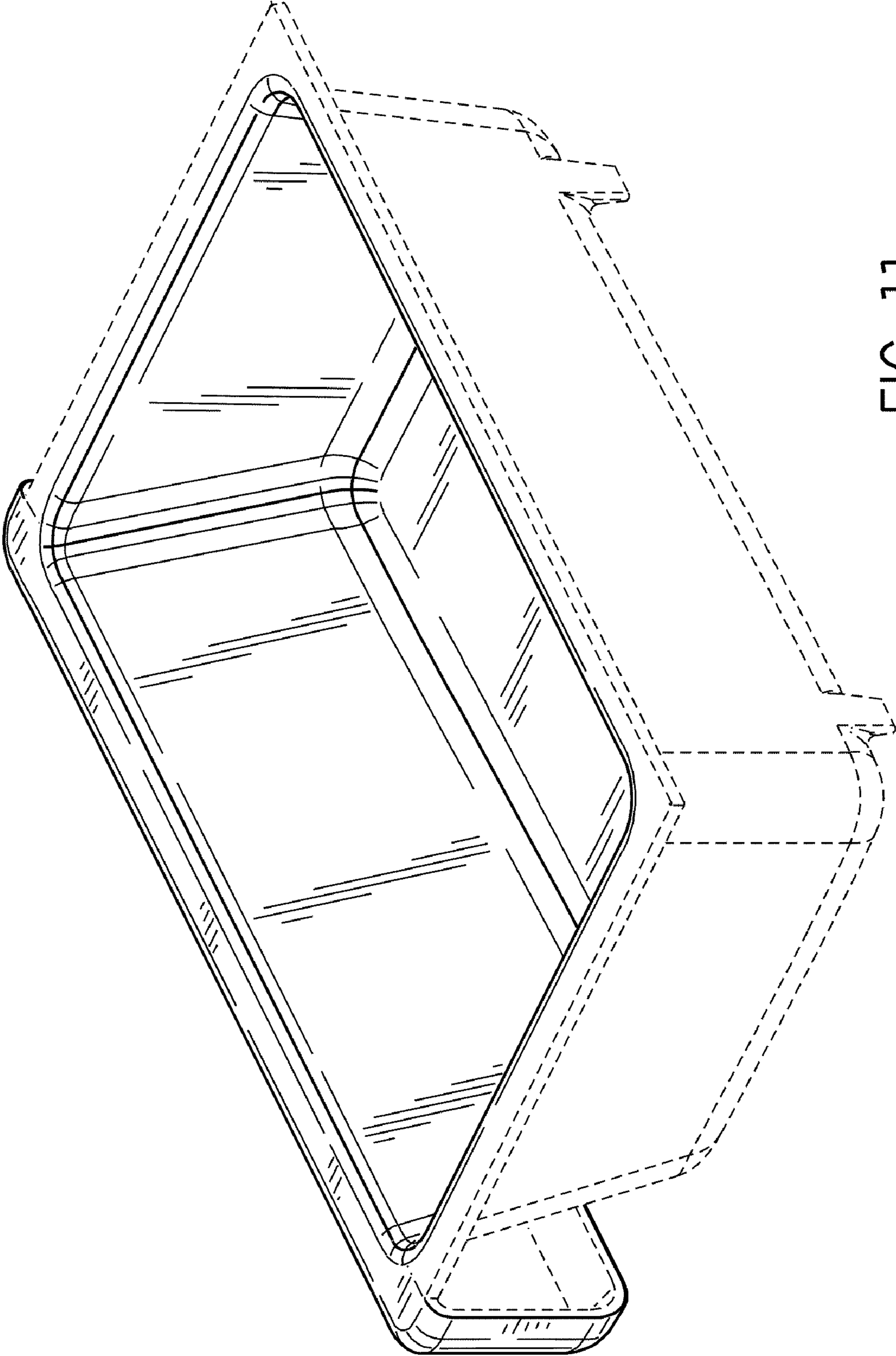


FIG. 11

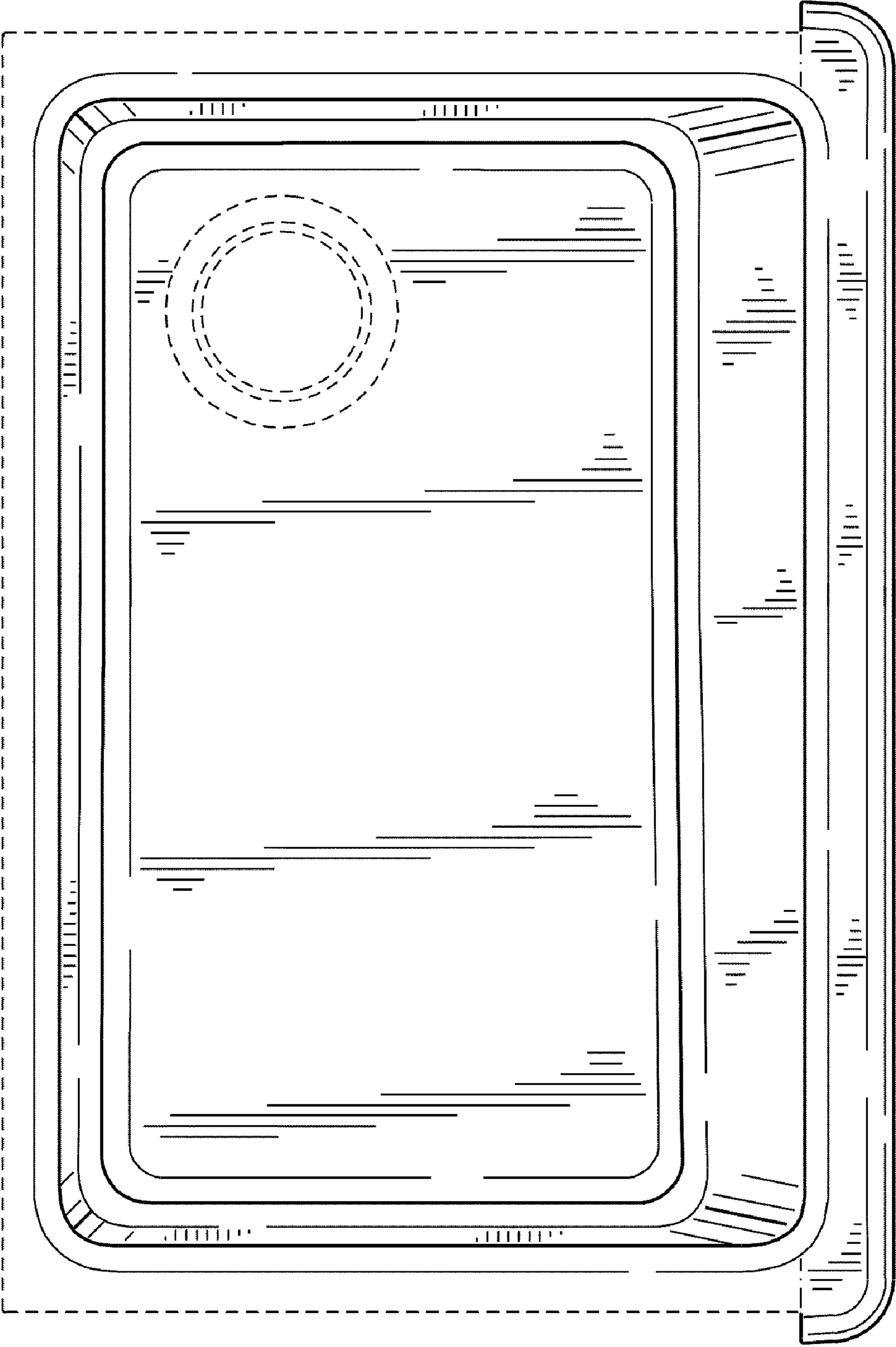


FIG. 12

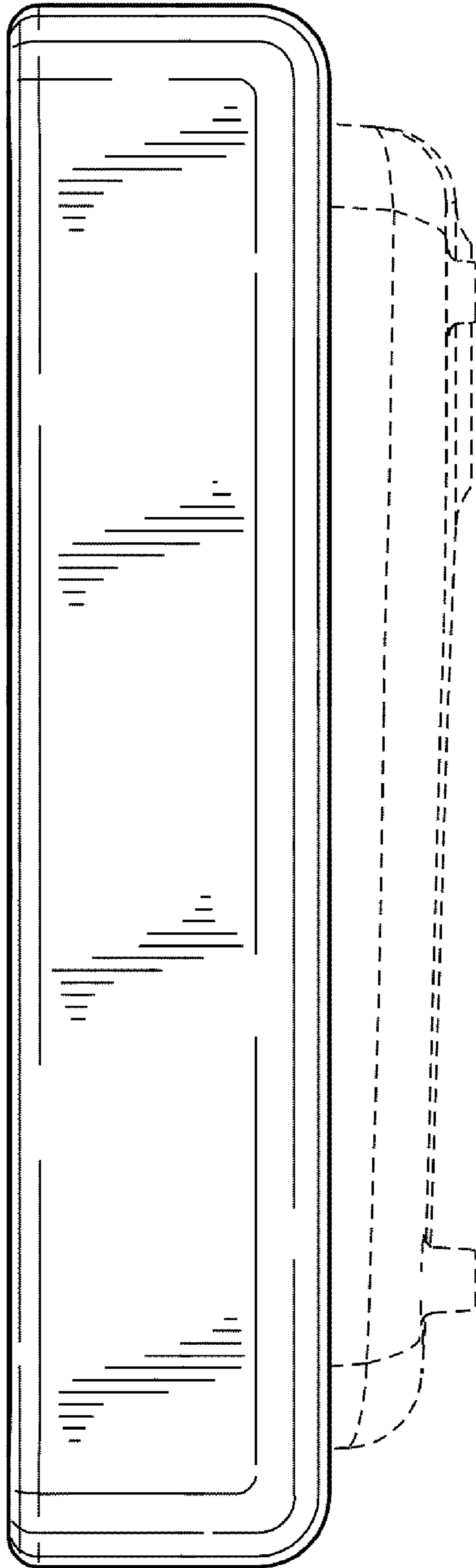


FIG. 13

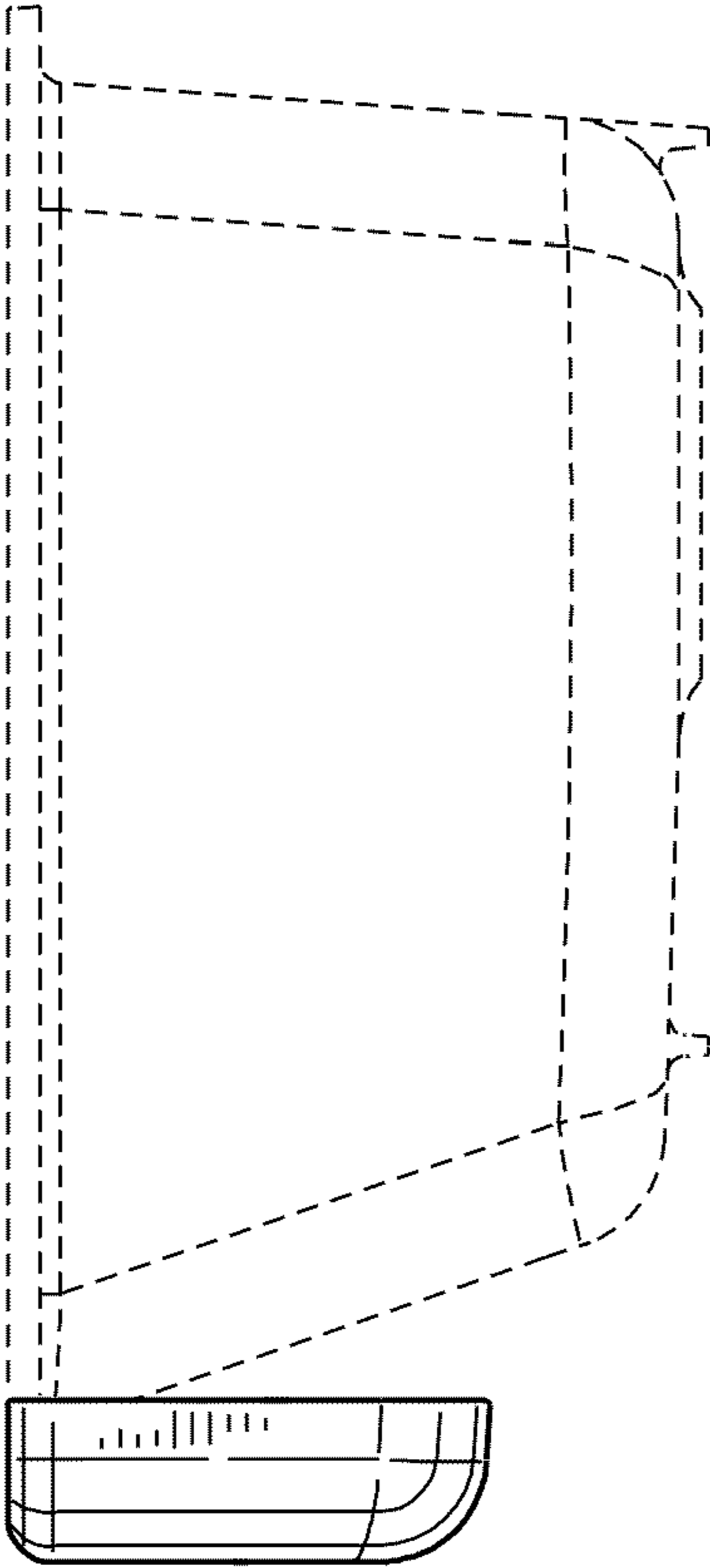


FIG. 15

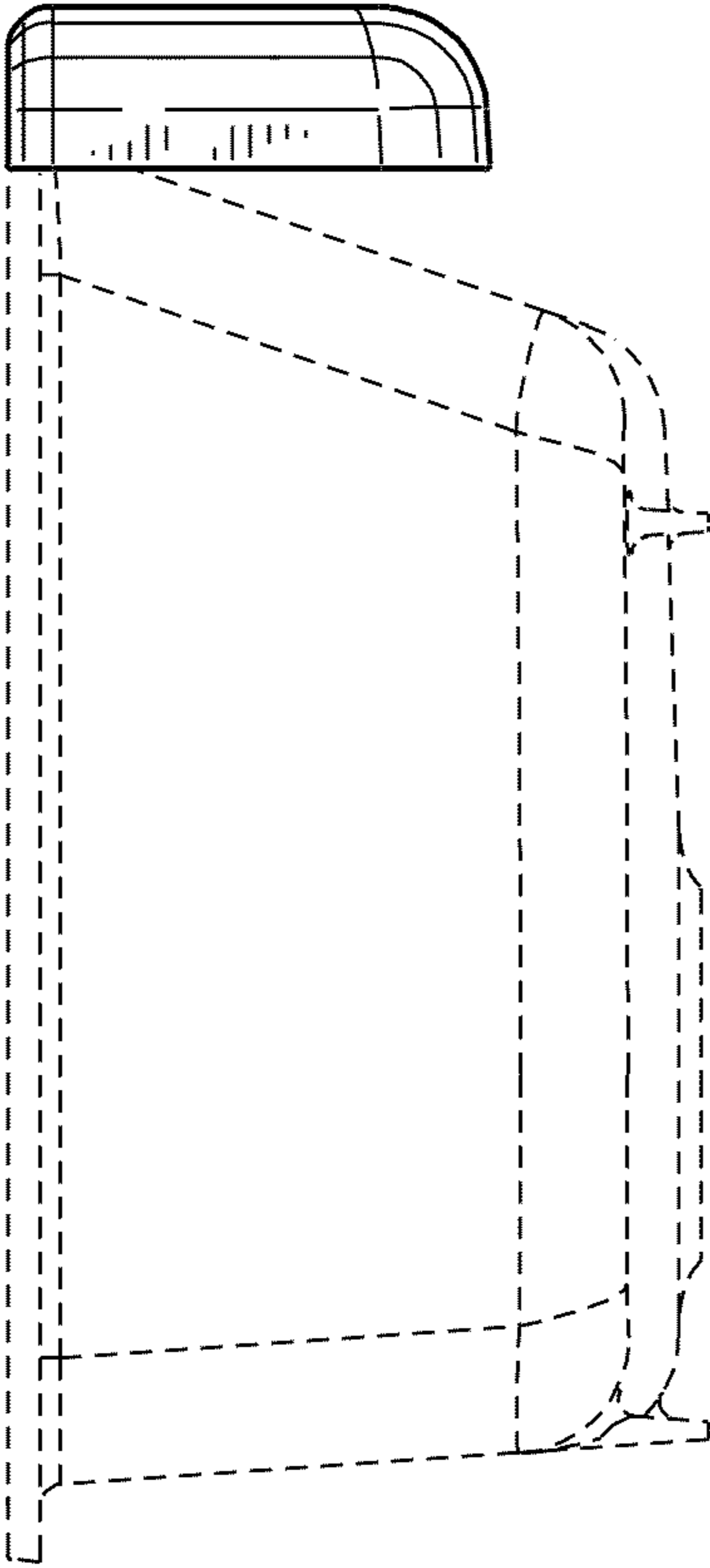


FIG. 14

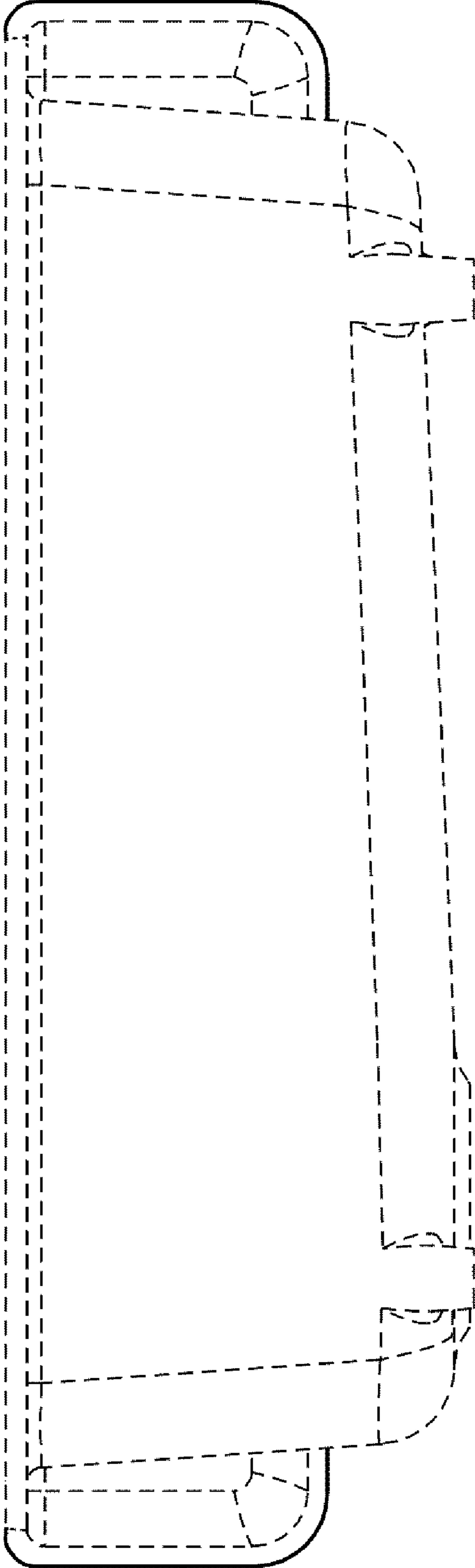


FIG. 16



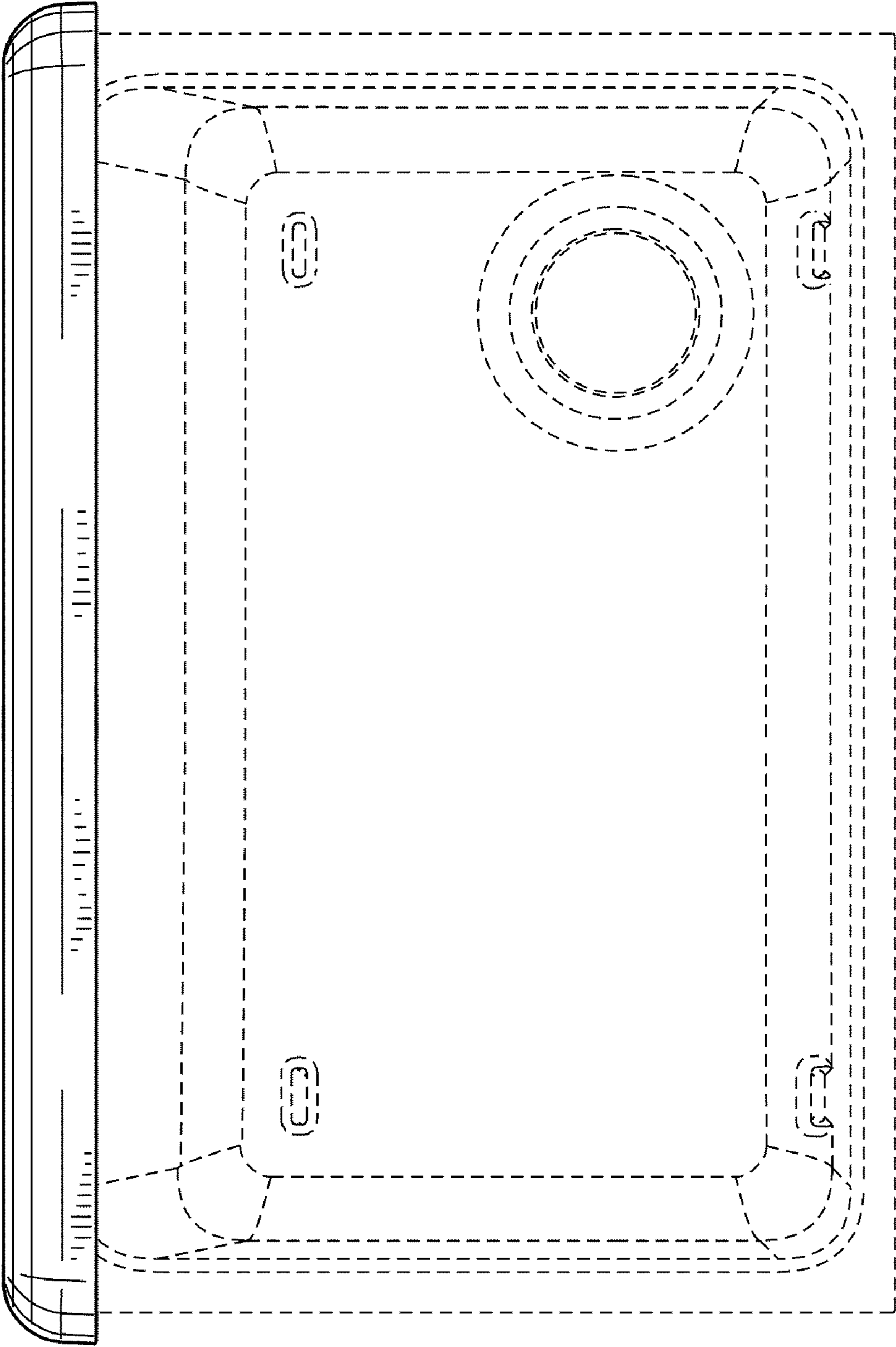


FIG. 17

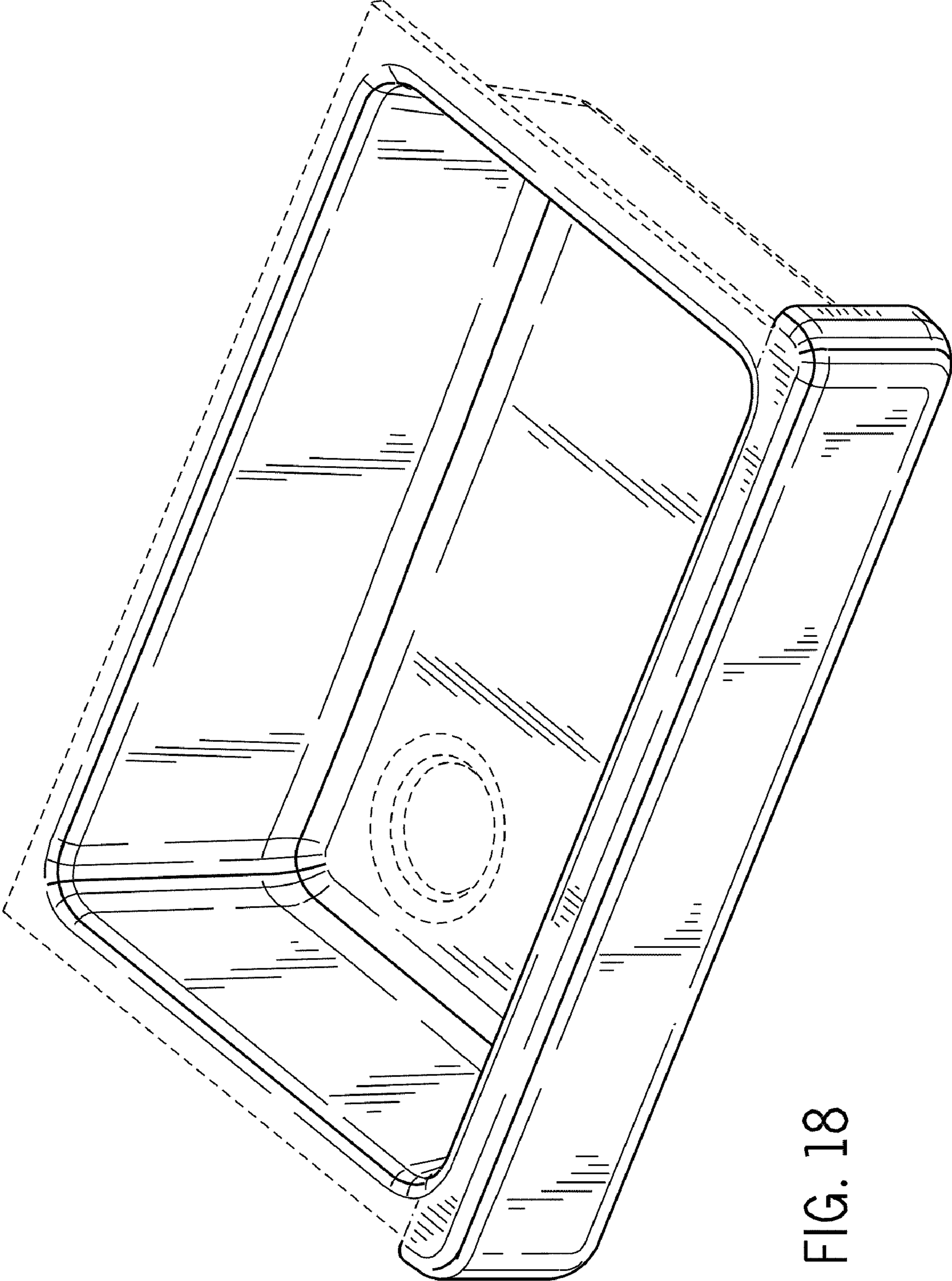


FIG. 18

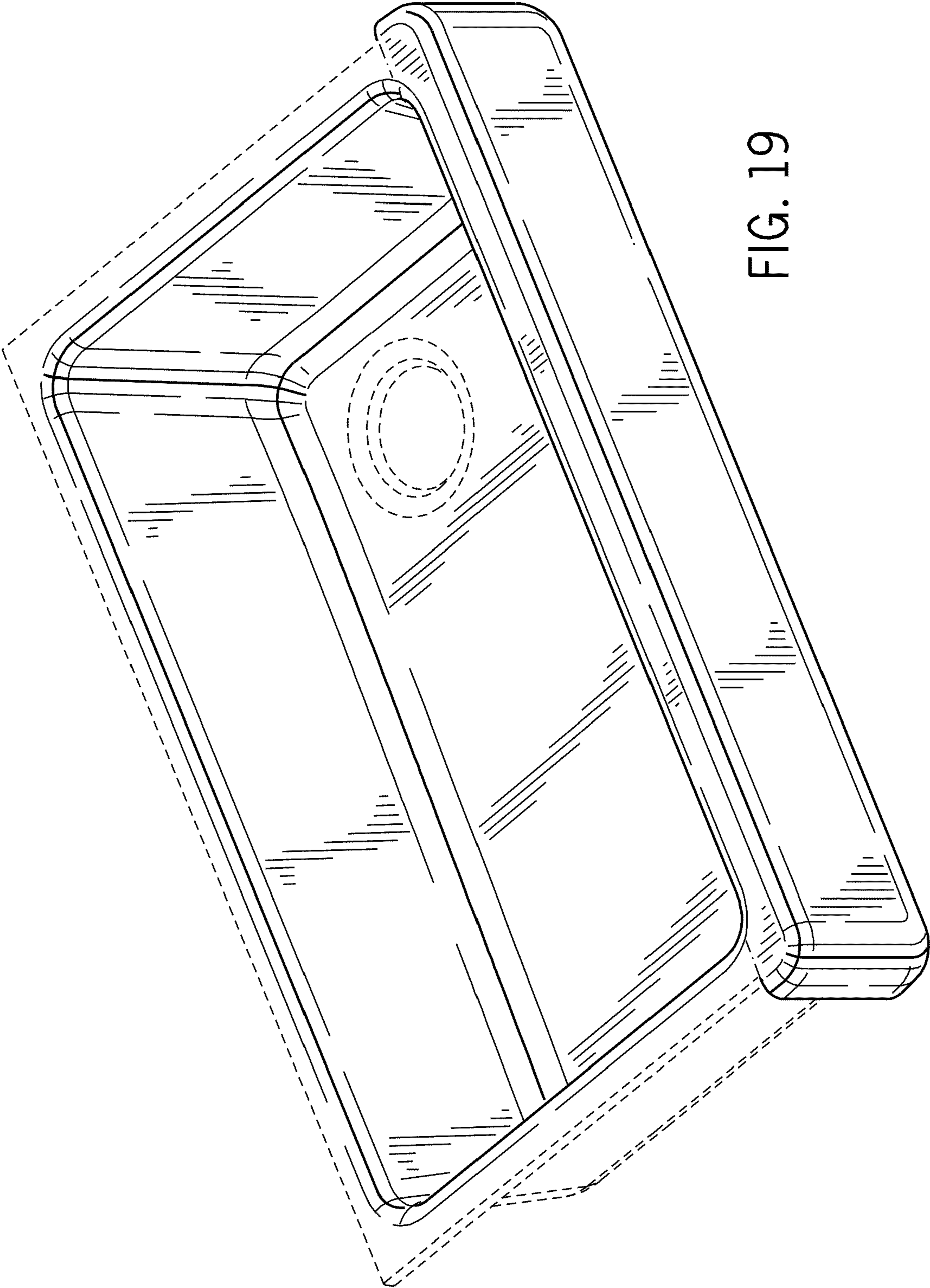


FIG. 19

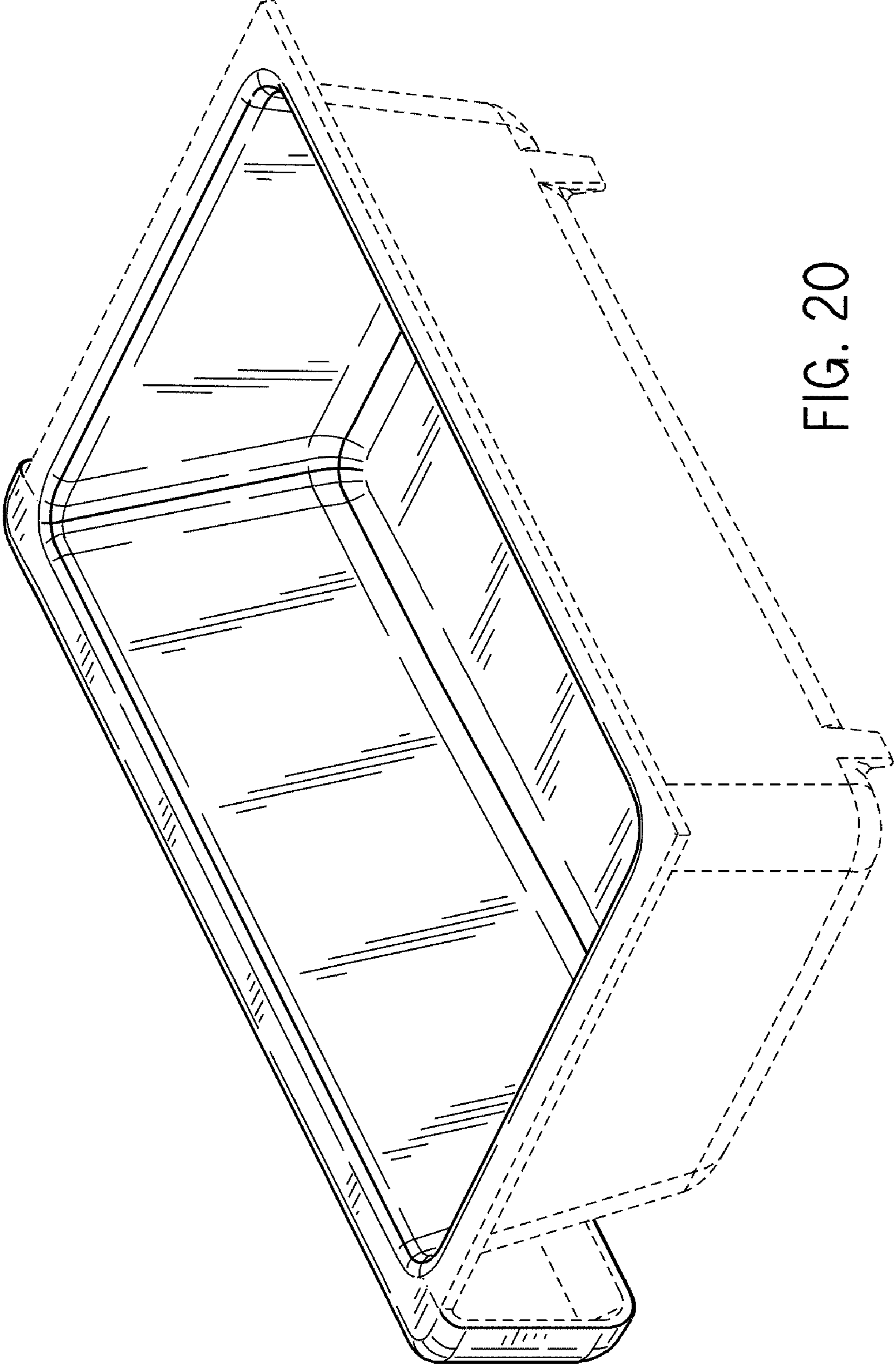


FIG. 20

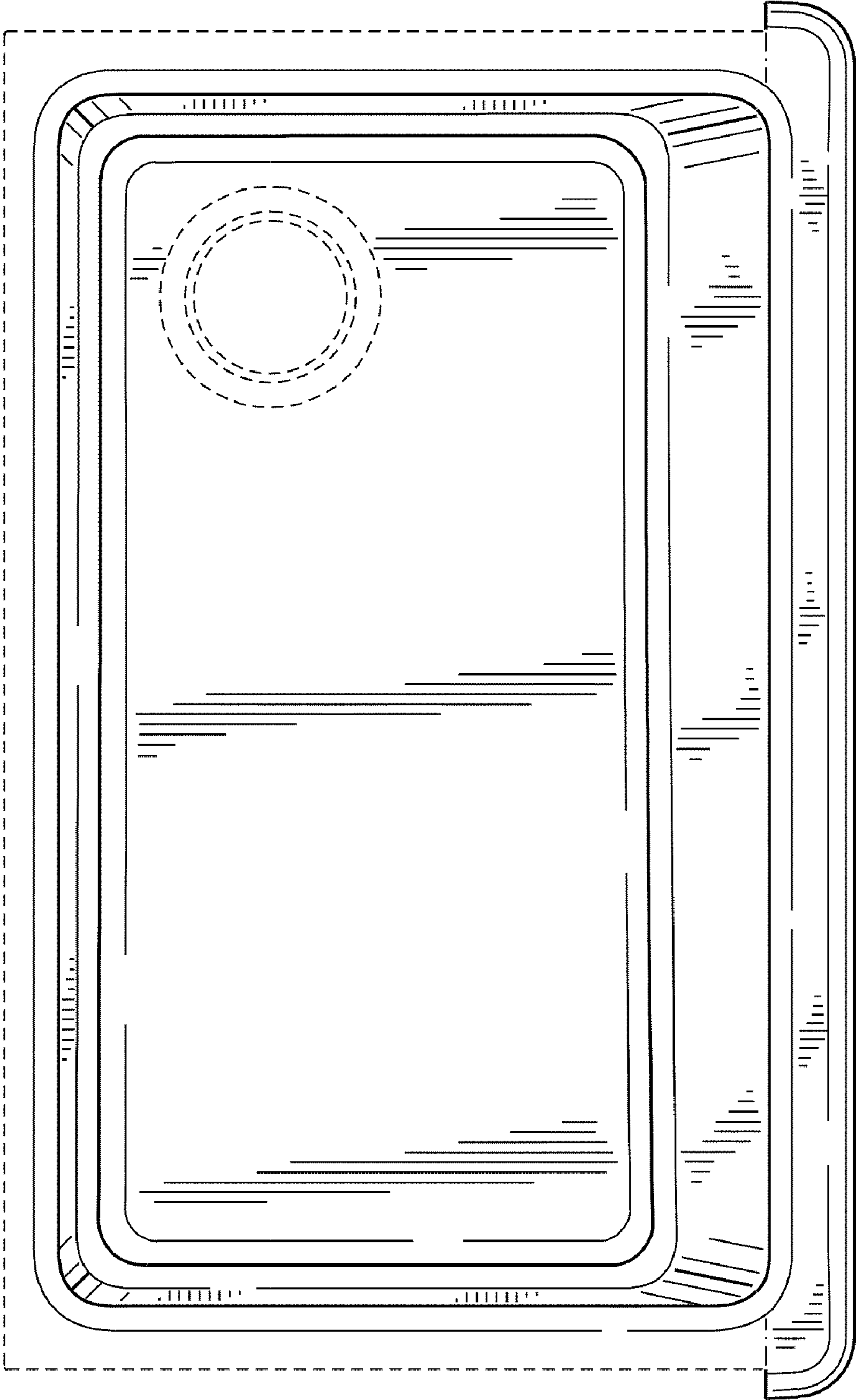


FIG. 21

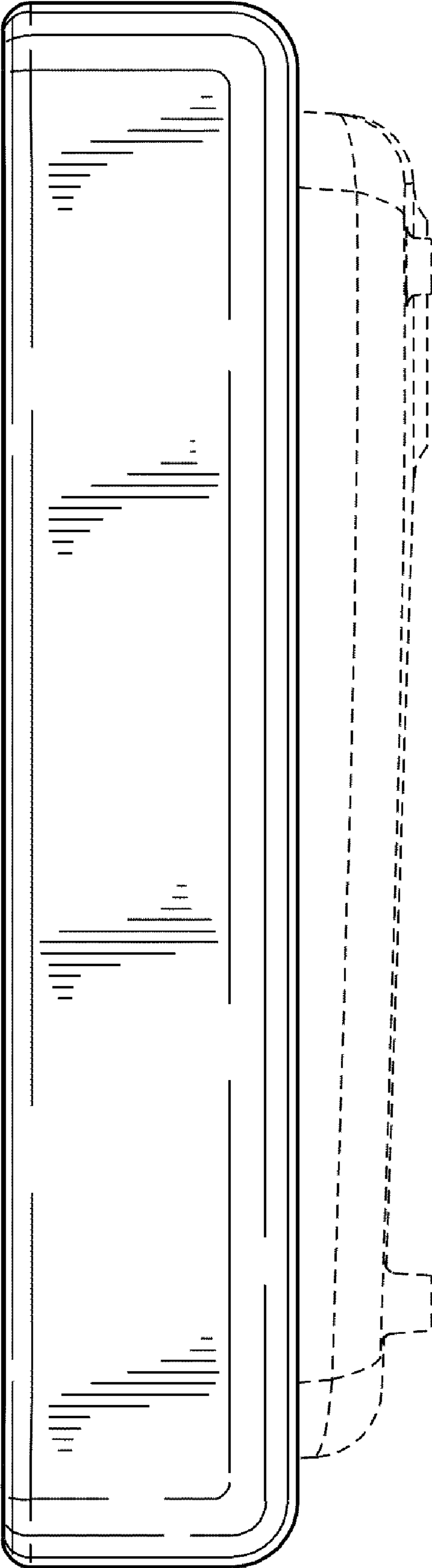


FIG. 22

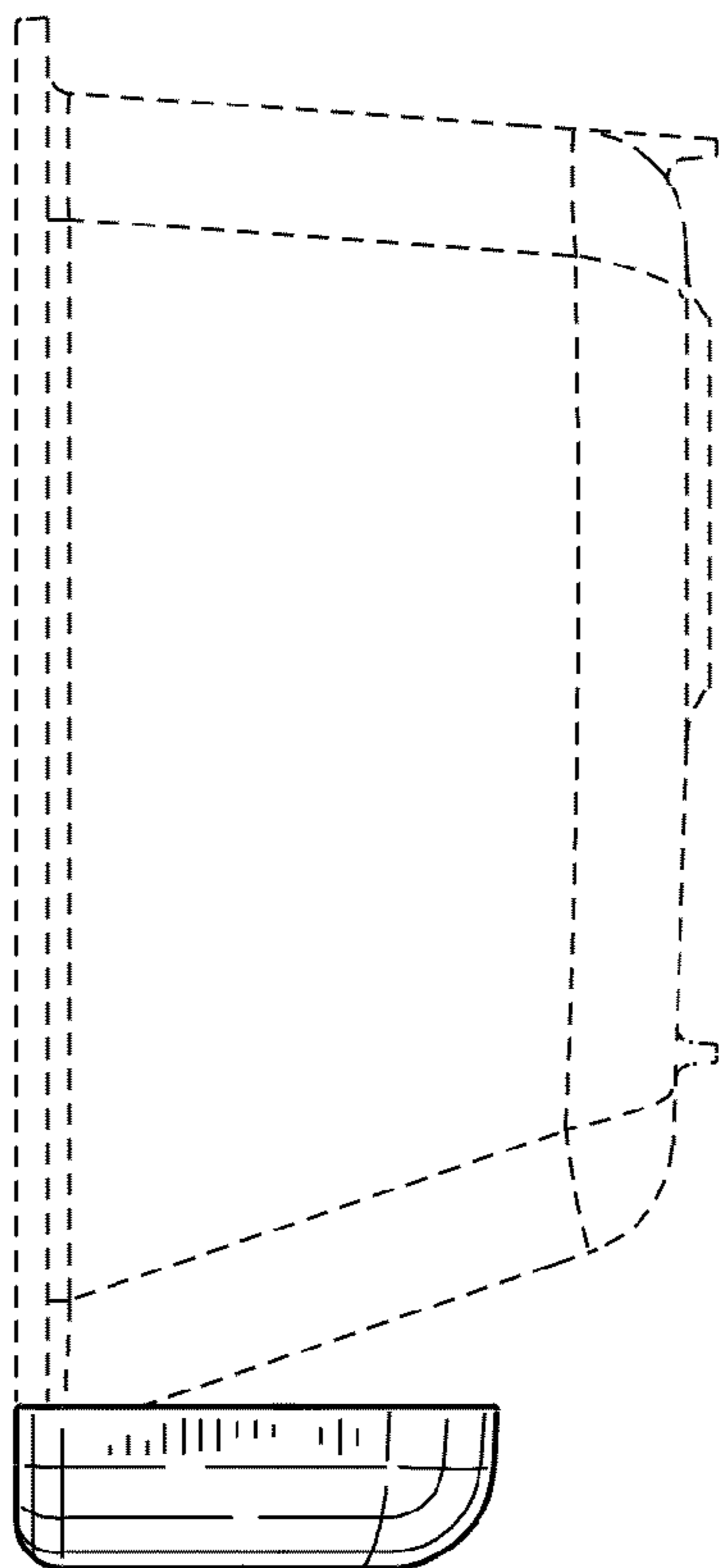


FIG. 24

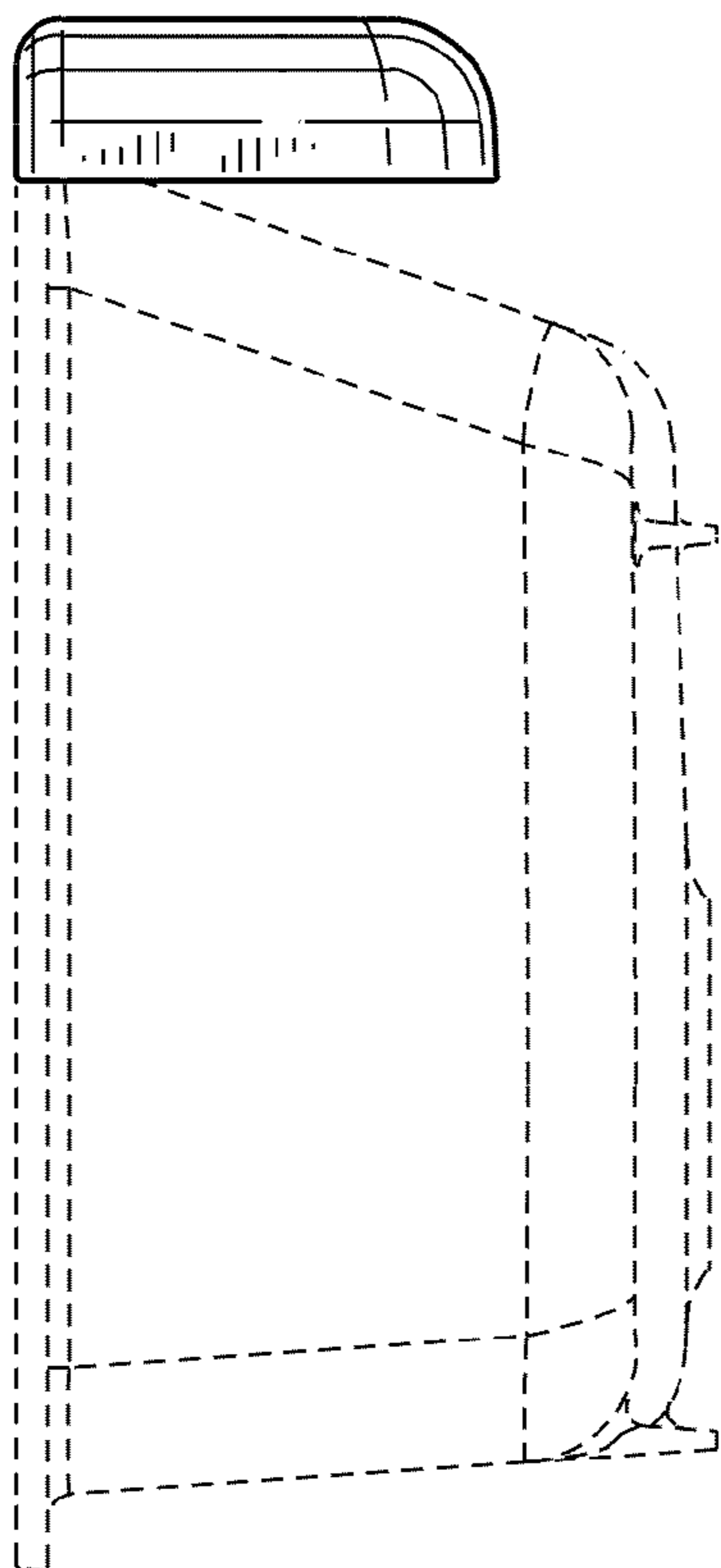


FIG. 23

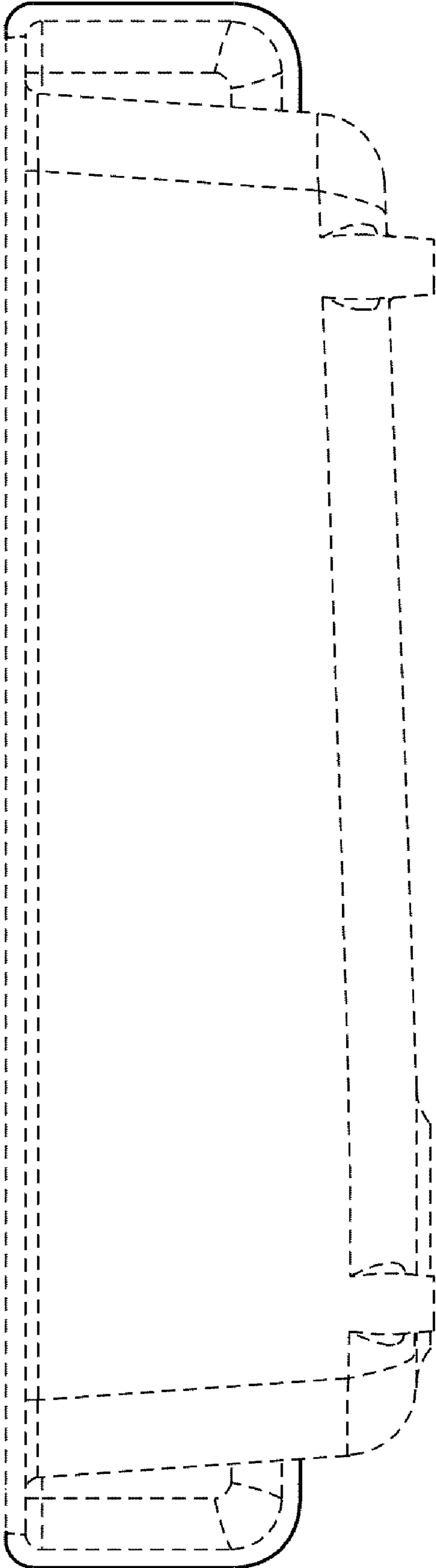


FIG. 25



FIG. 26

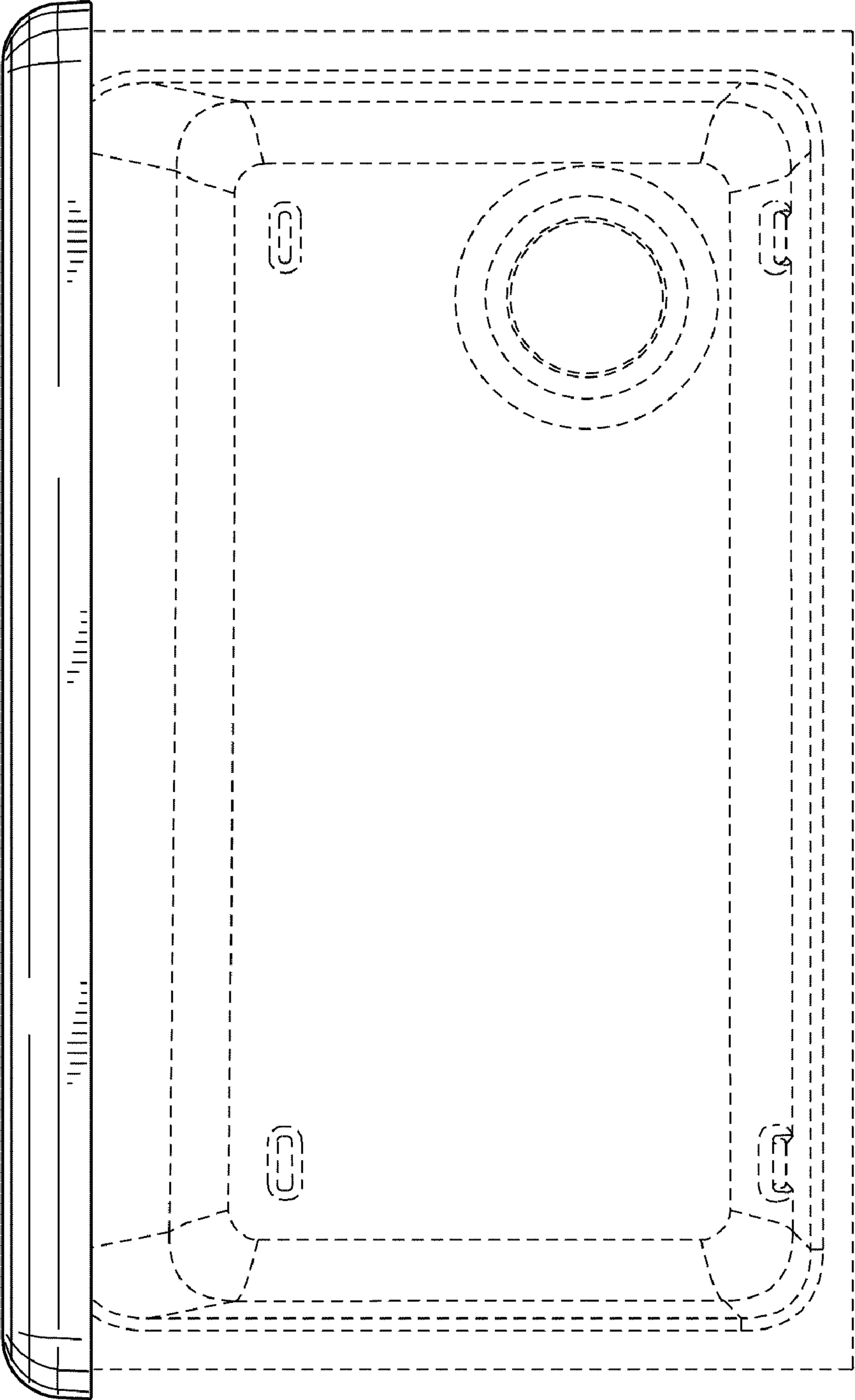
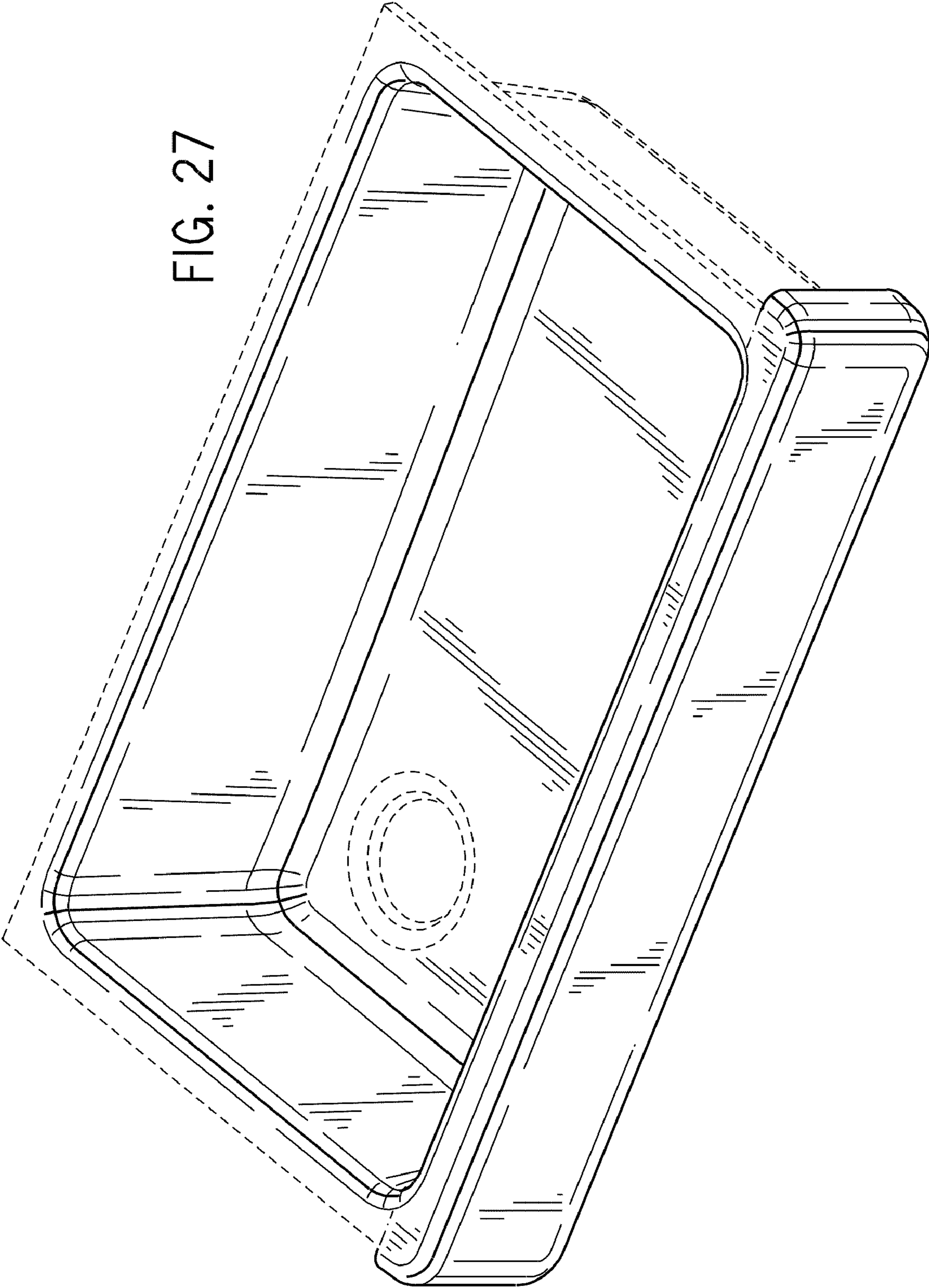


FIG. 27



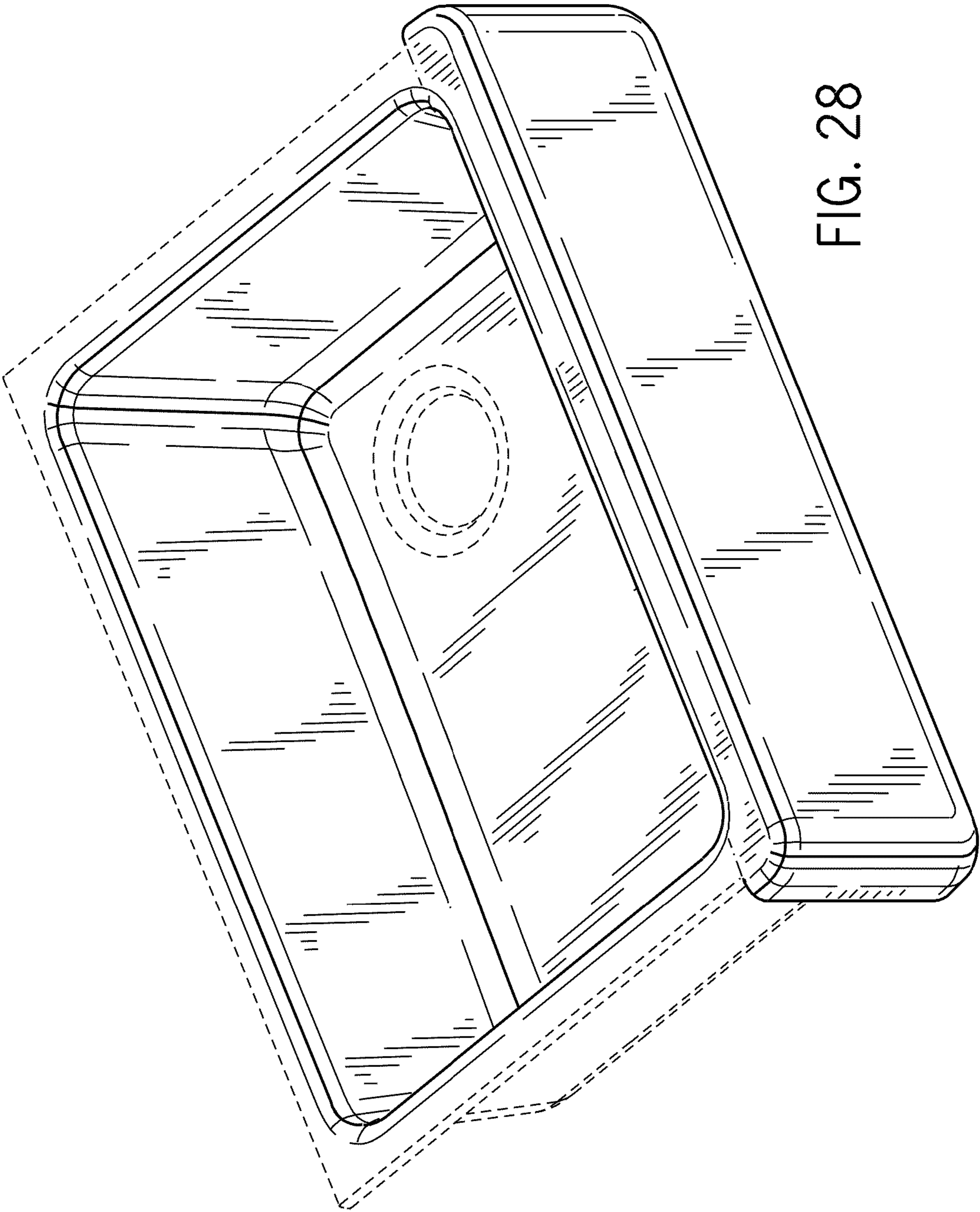


FIG. 28

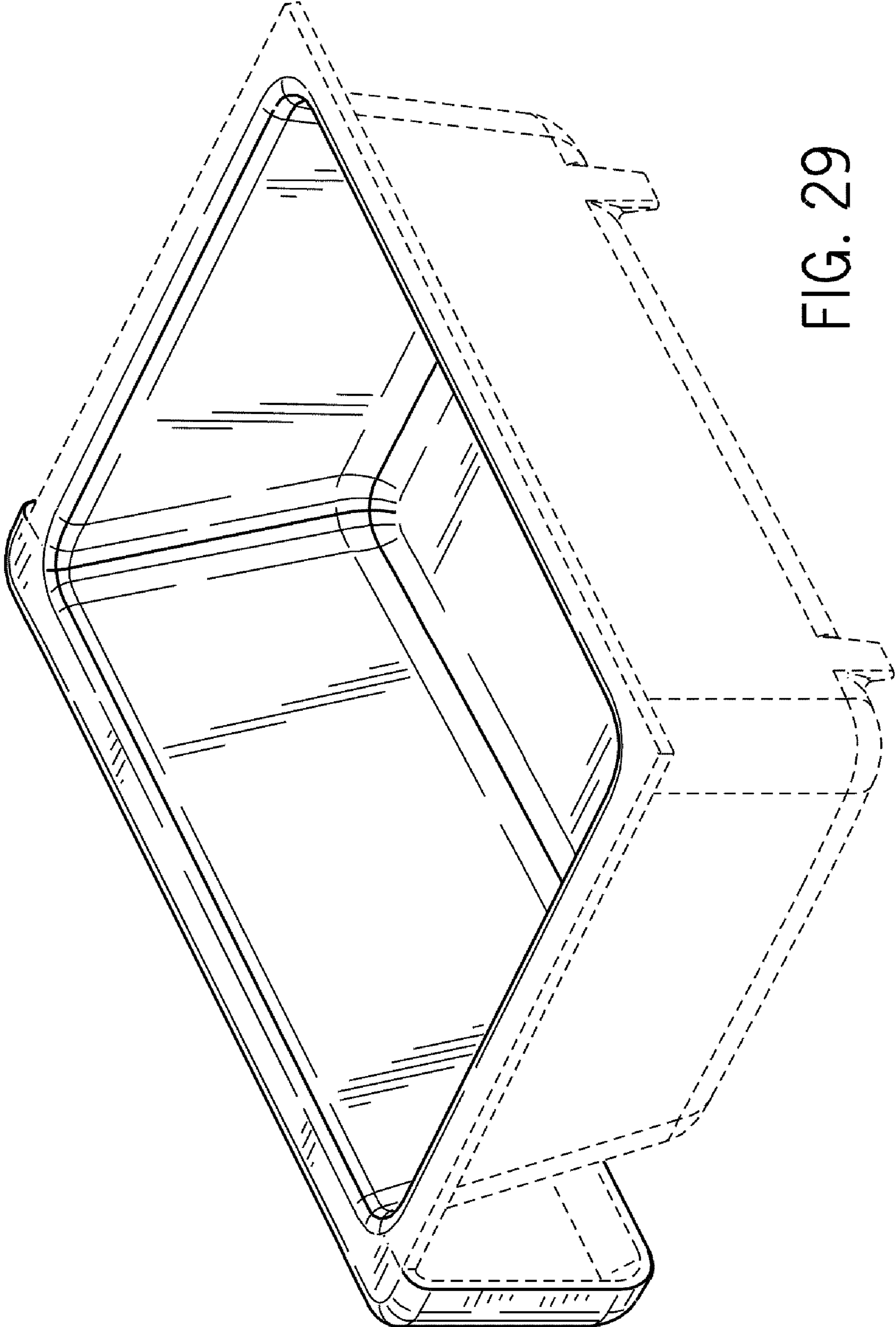


FIG. 29

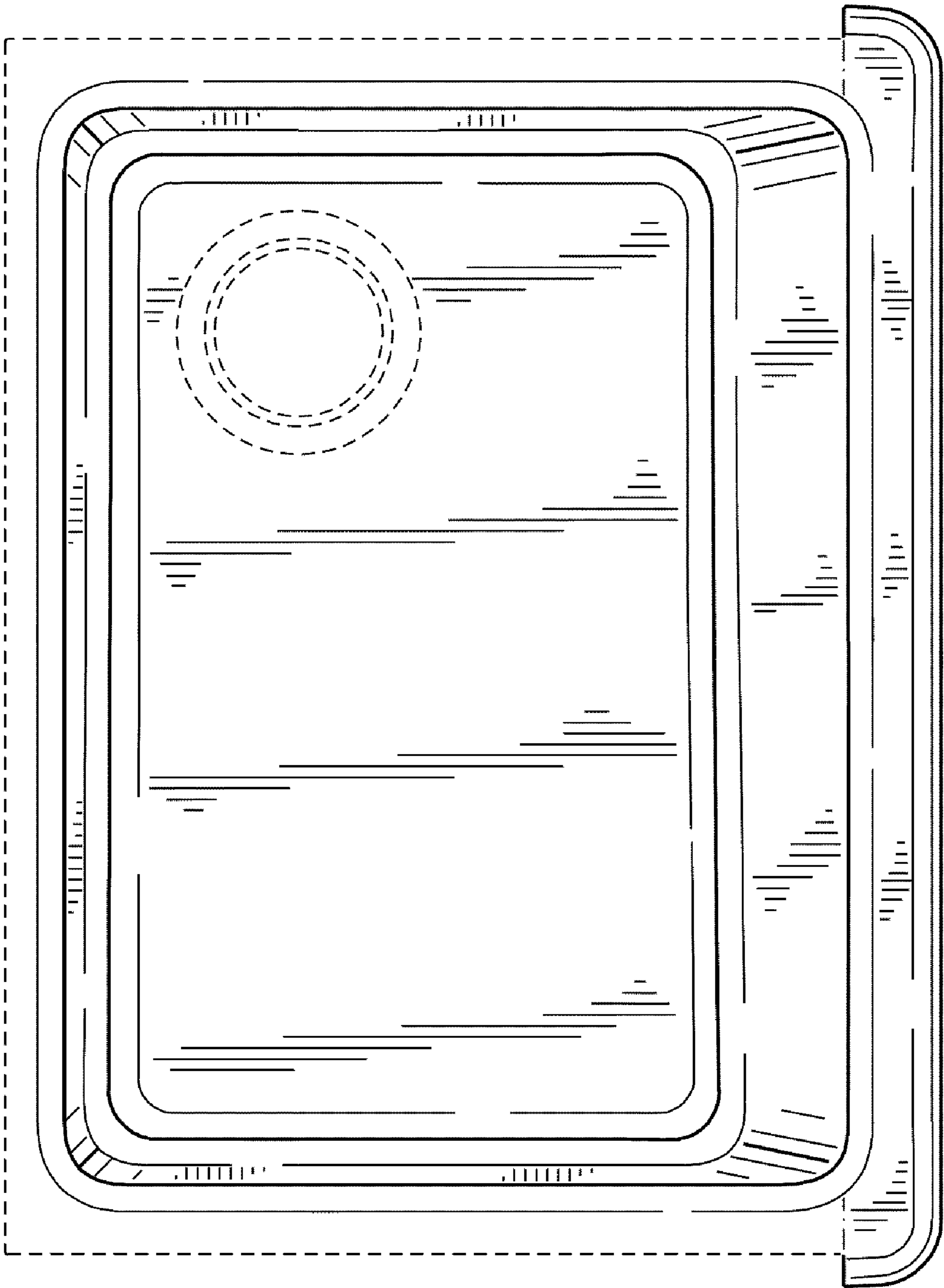


FIG. 30

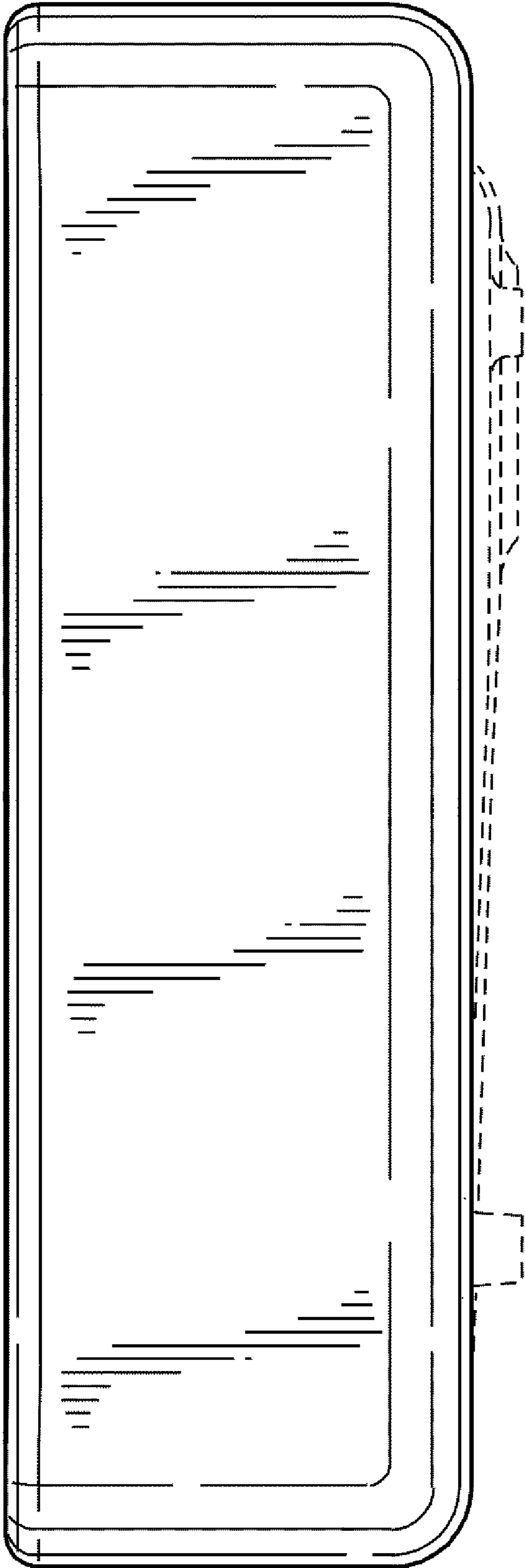


FIG. 31

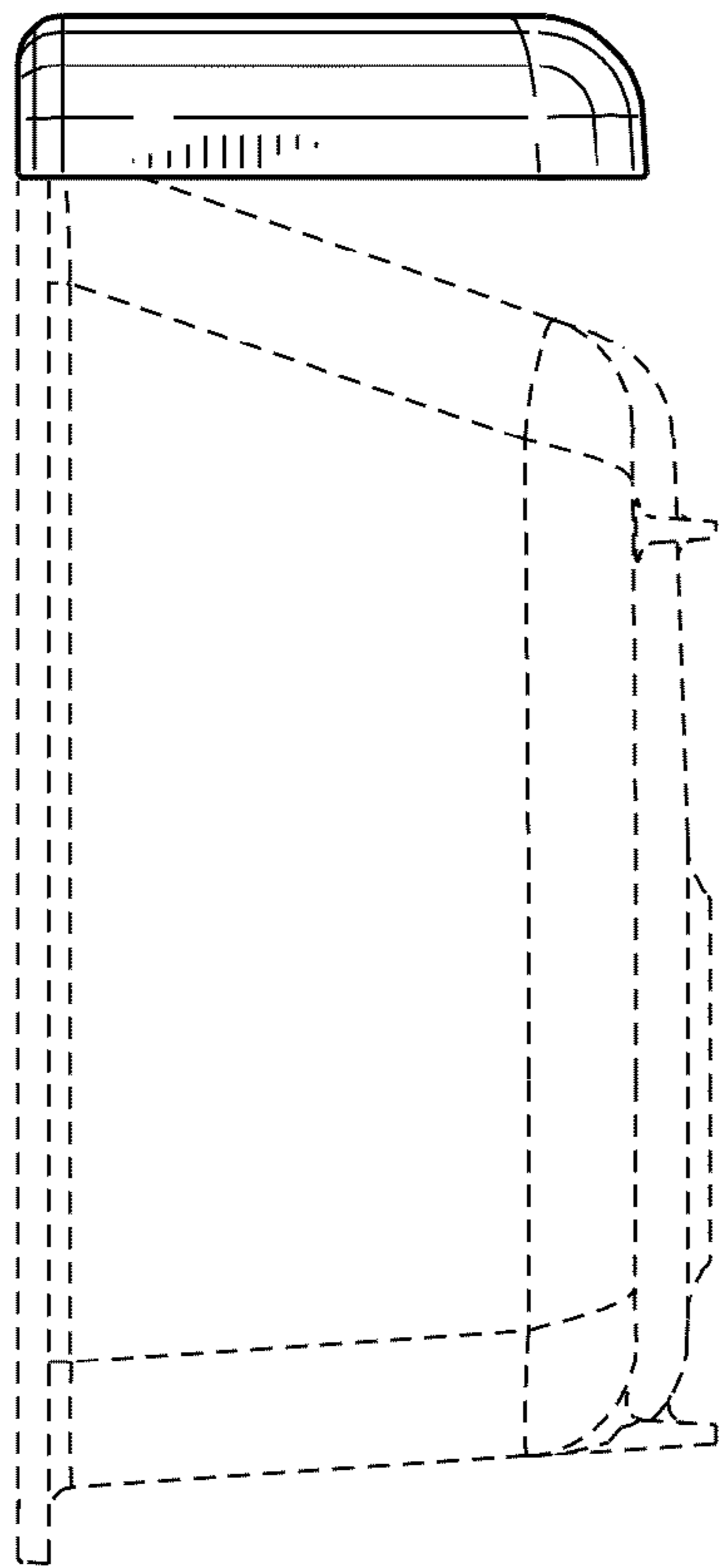
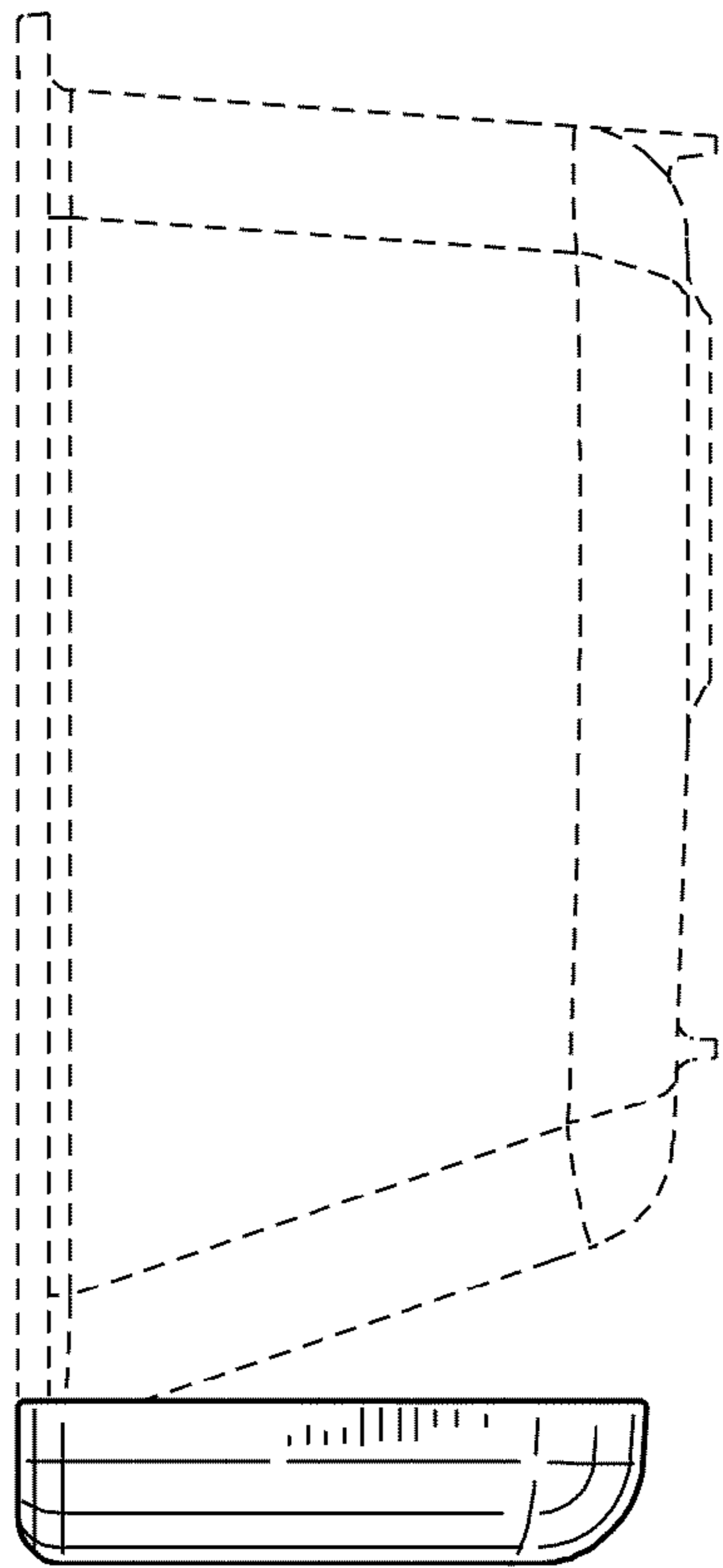


FIG. 32

FIG. 33

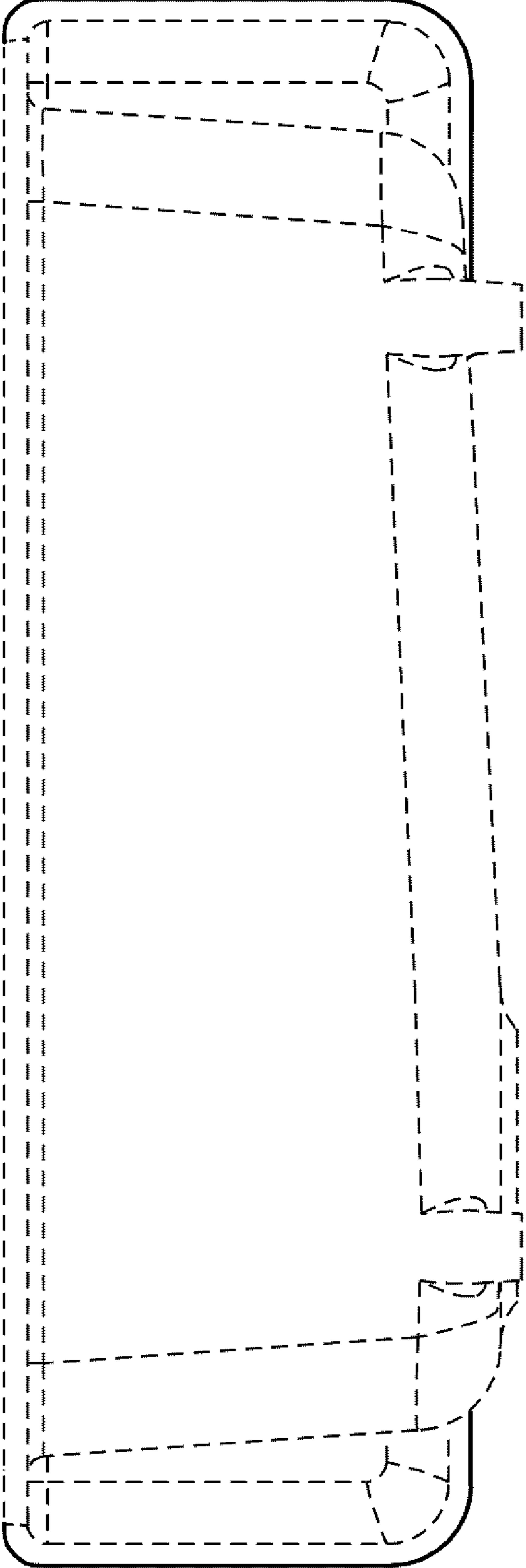


FIG. 34





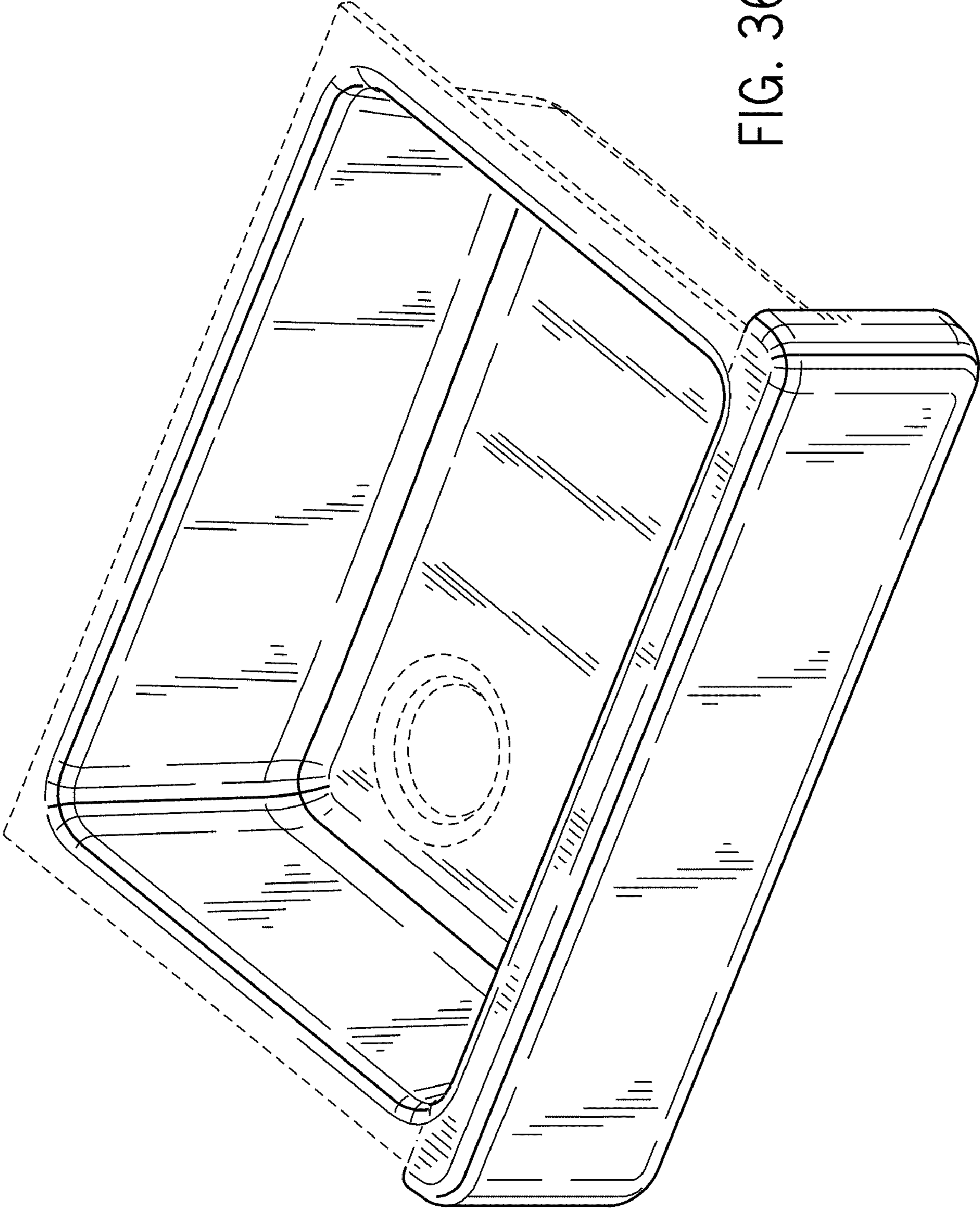


FIG. 36

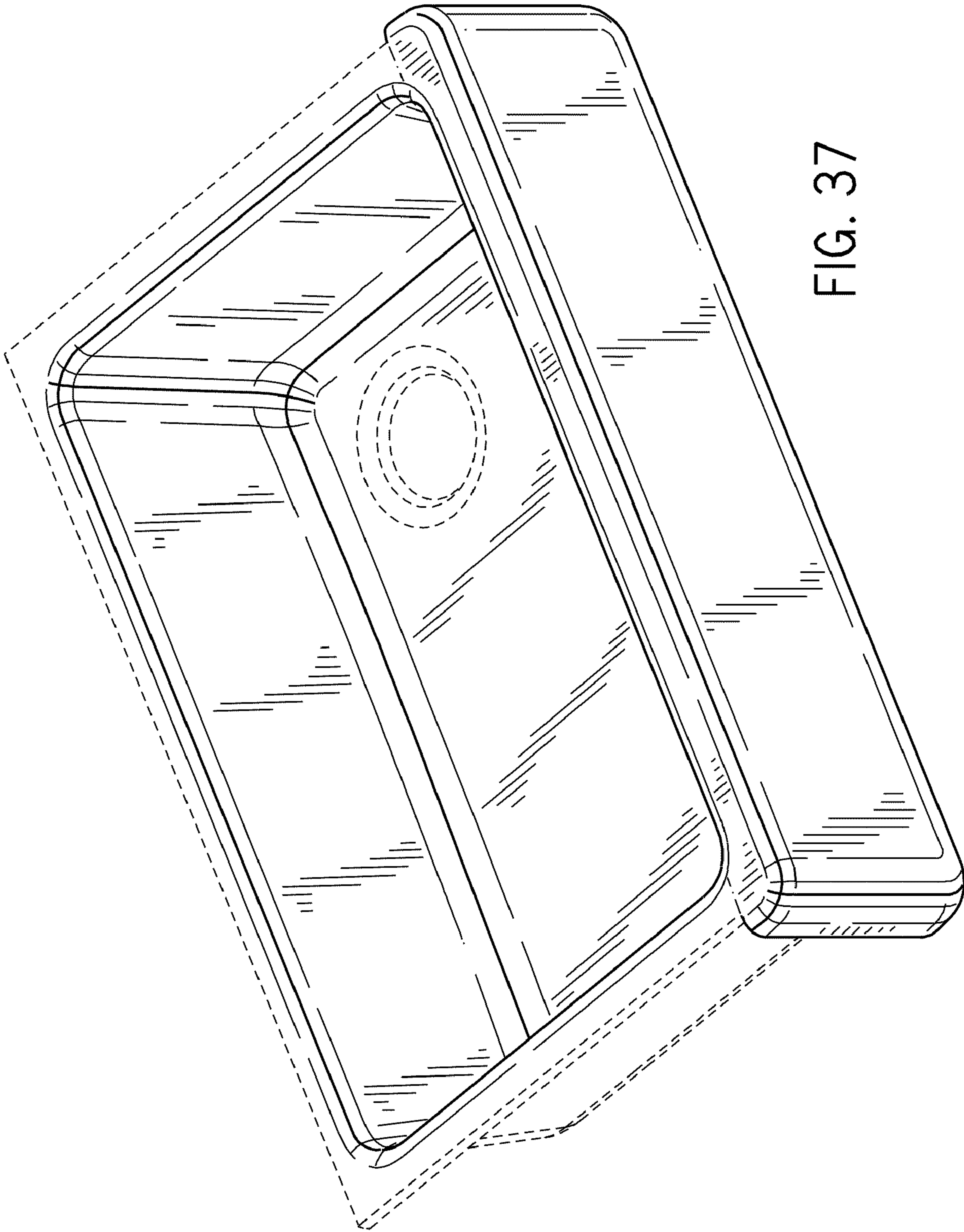


FIG. 37

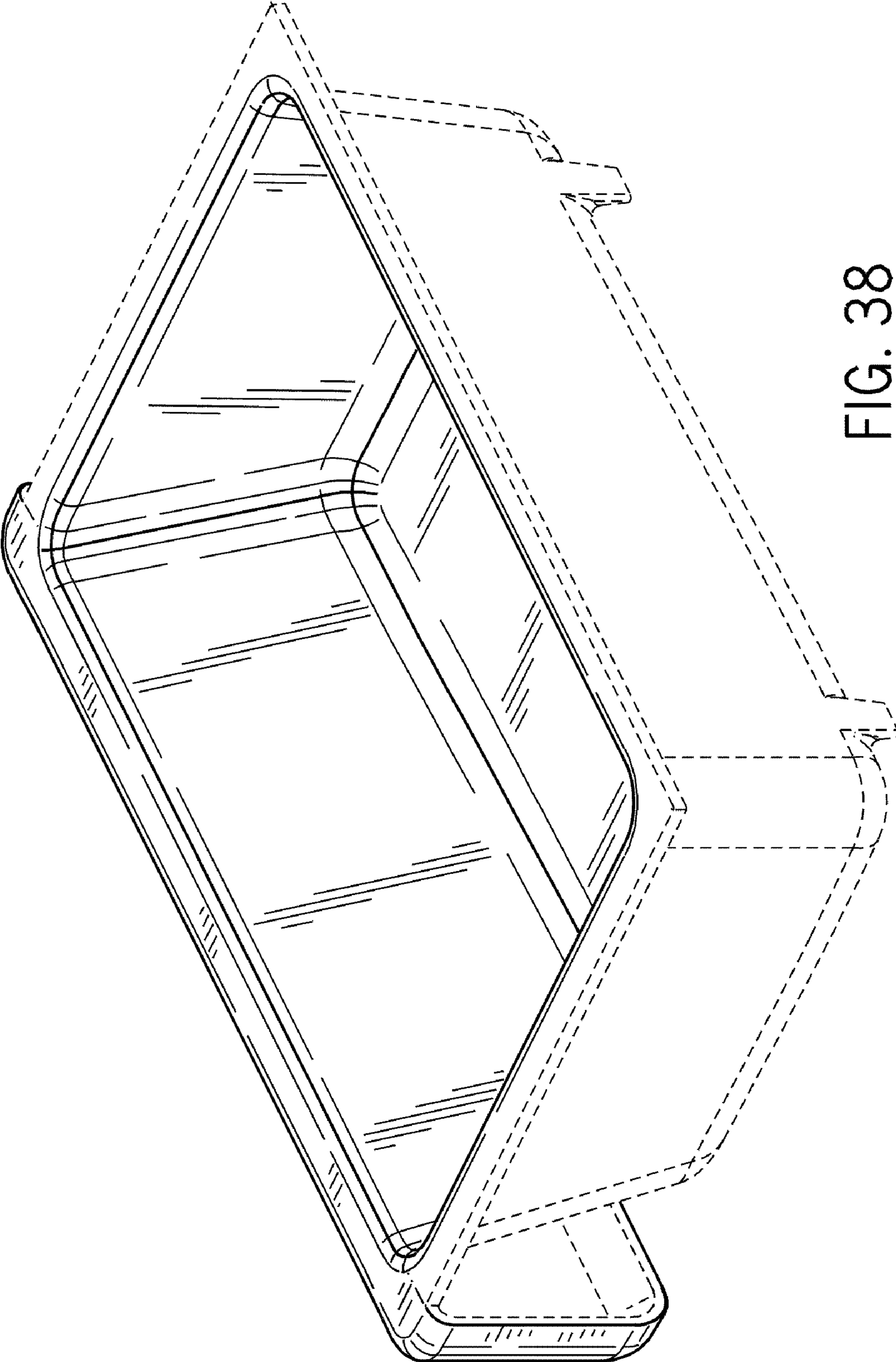
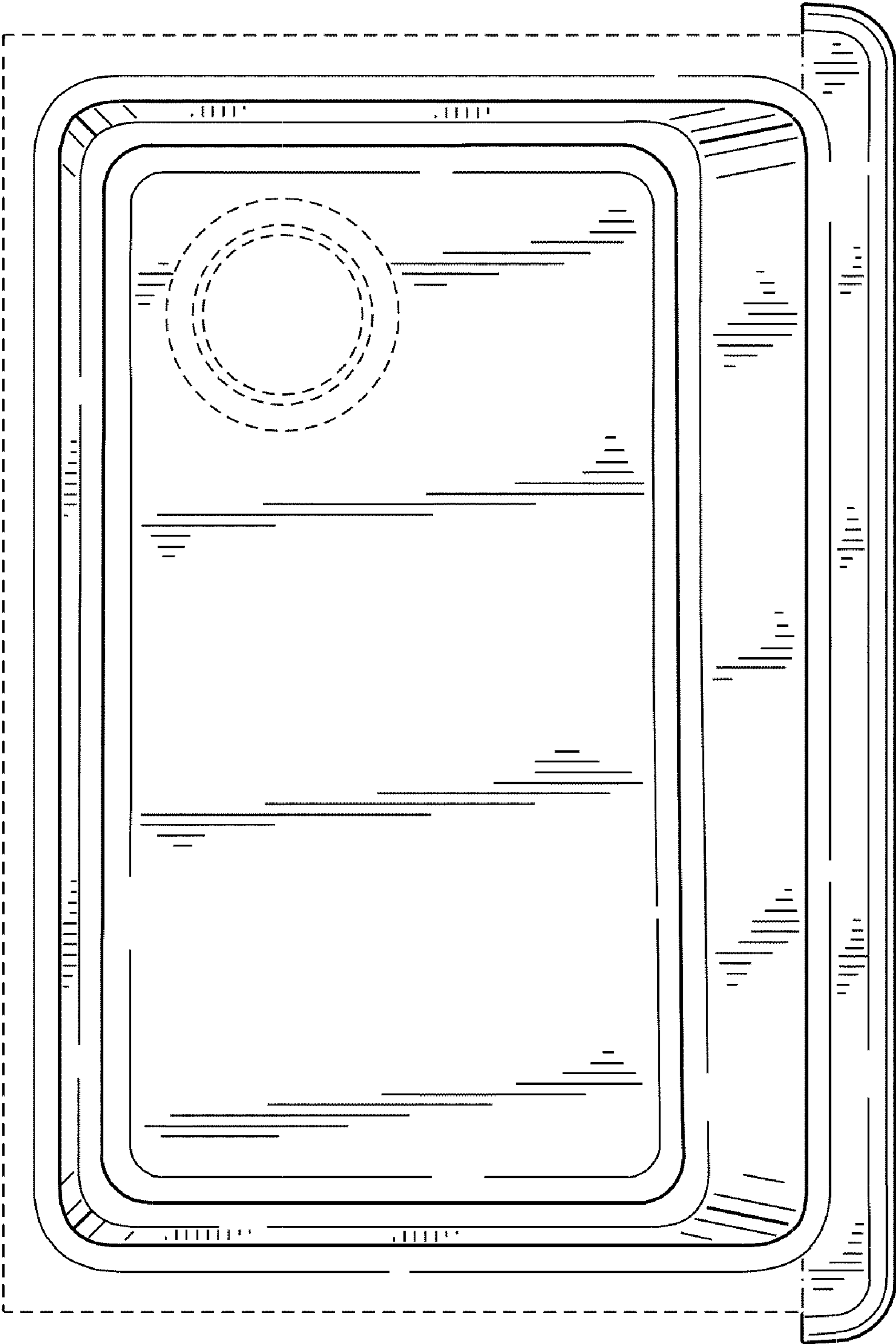


FIG. 38

FIG. 39



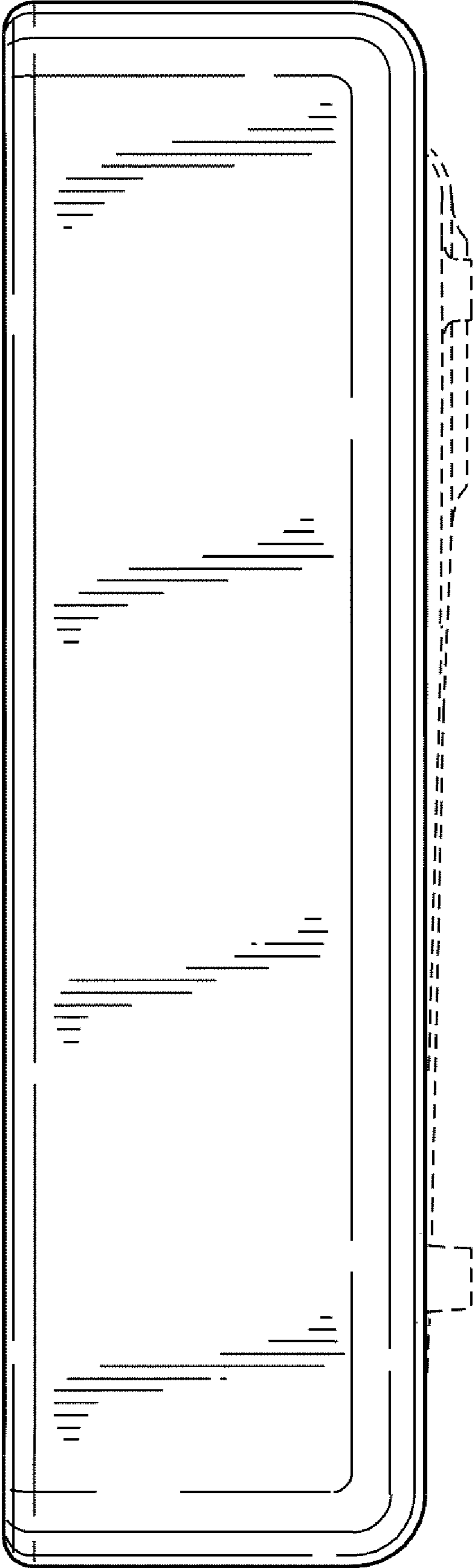


FIG. 40

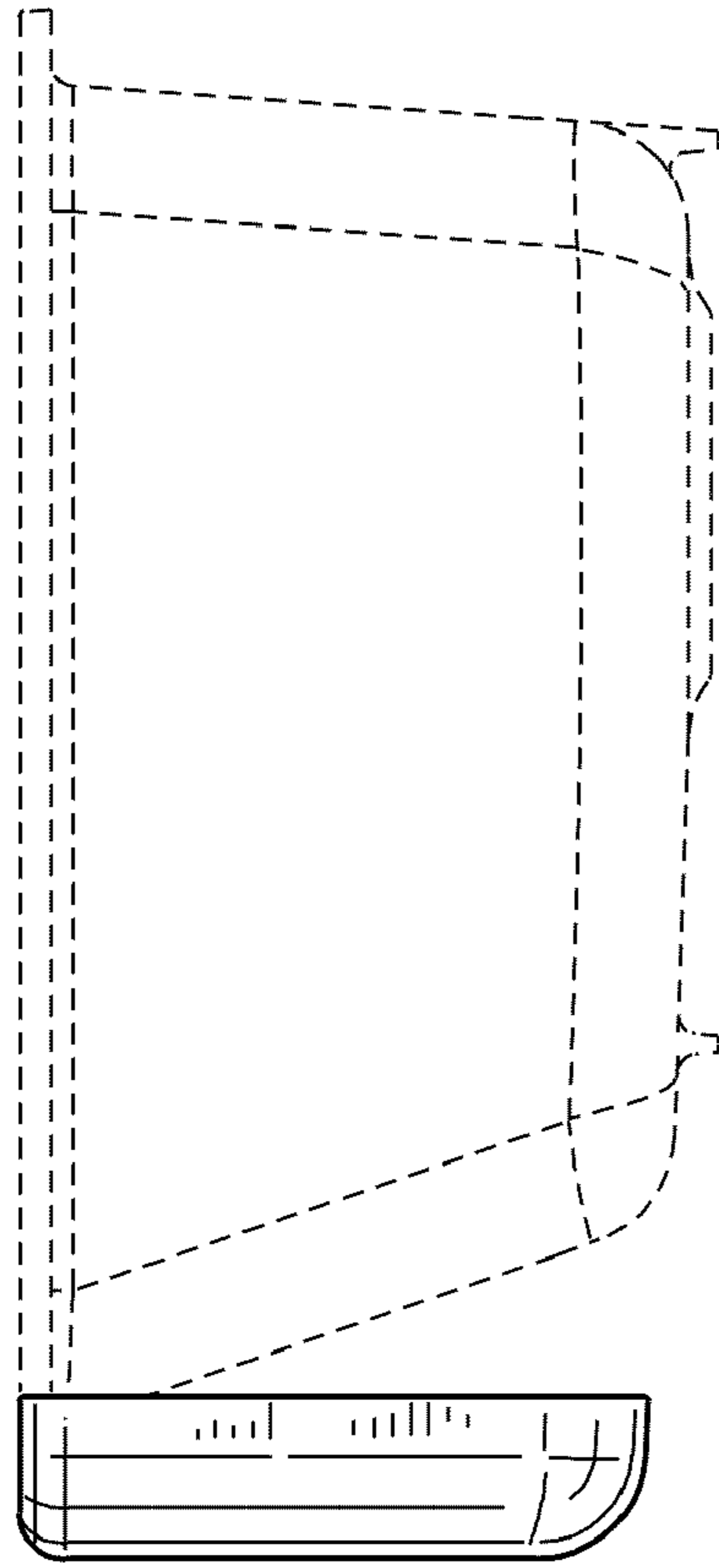


FIG. 42

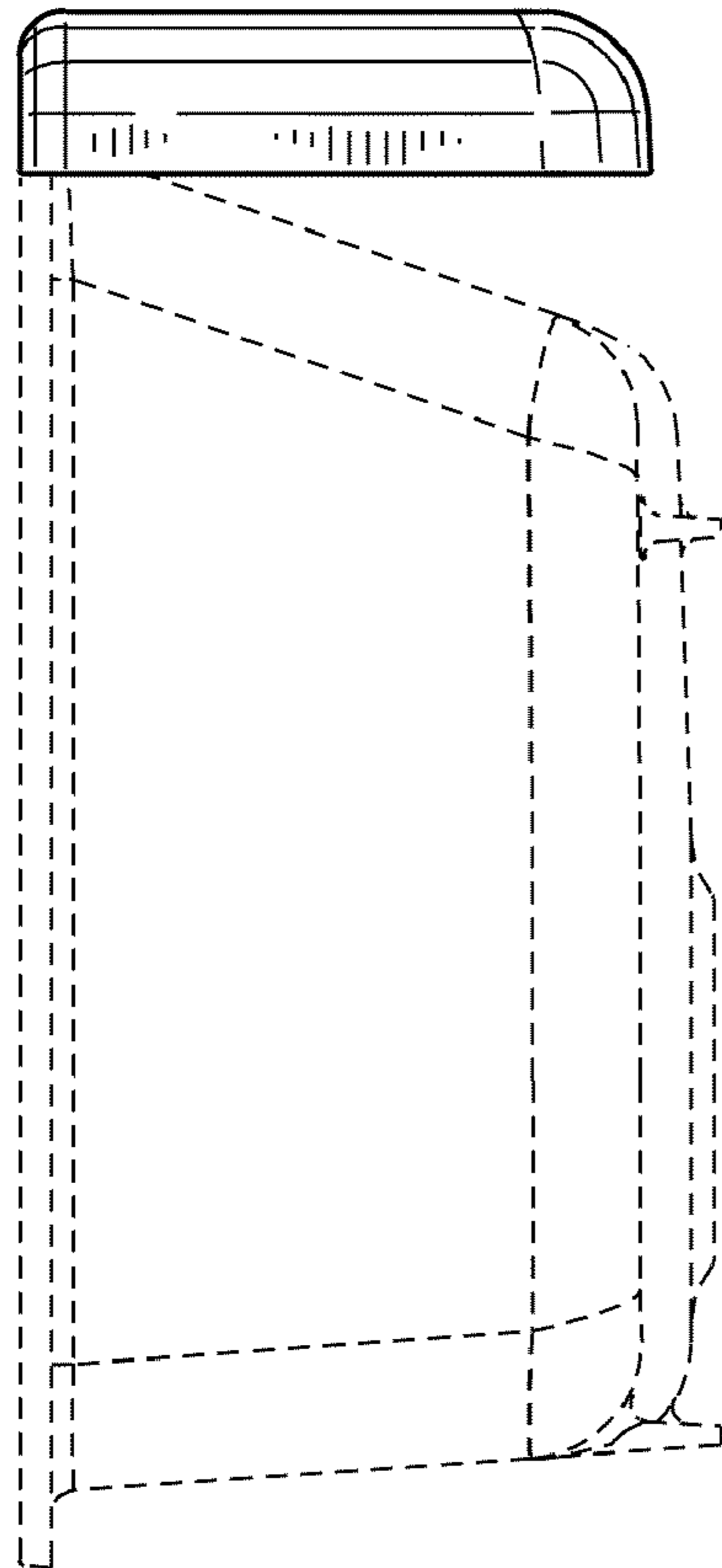


FIG. 41

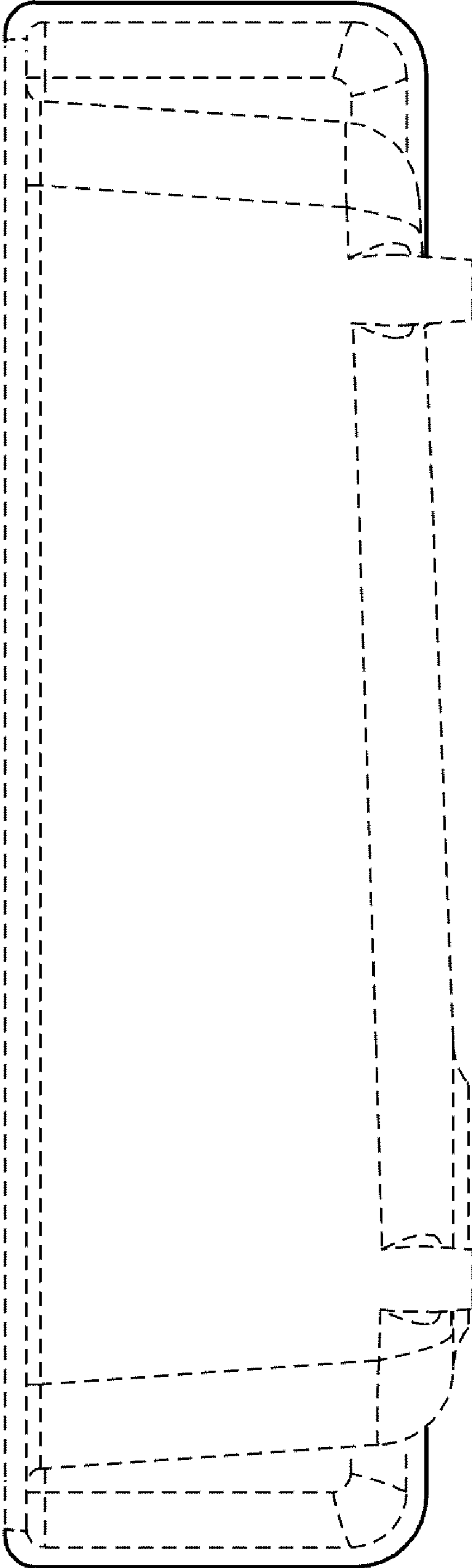


FIG. 43



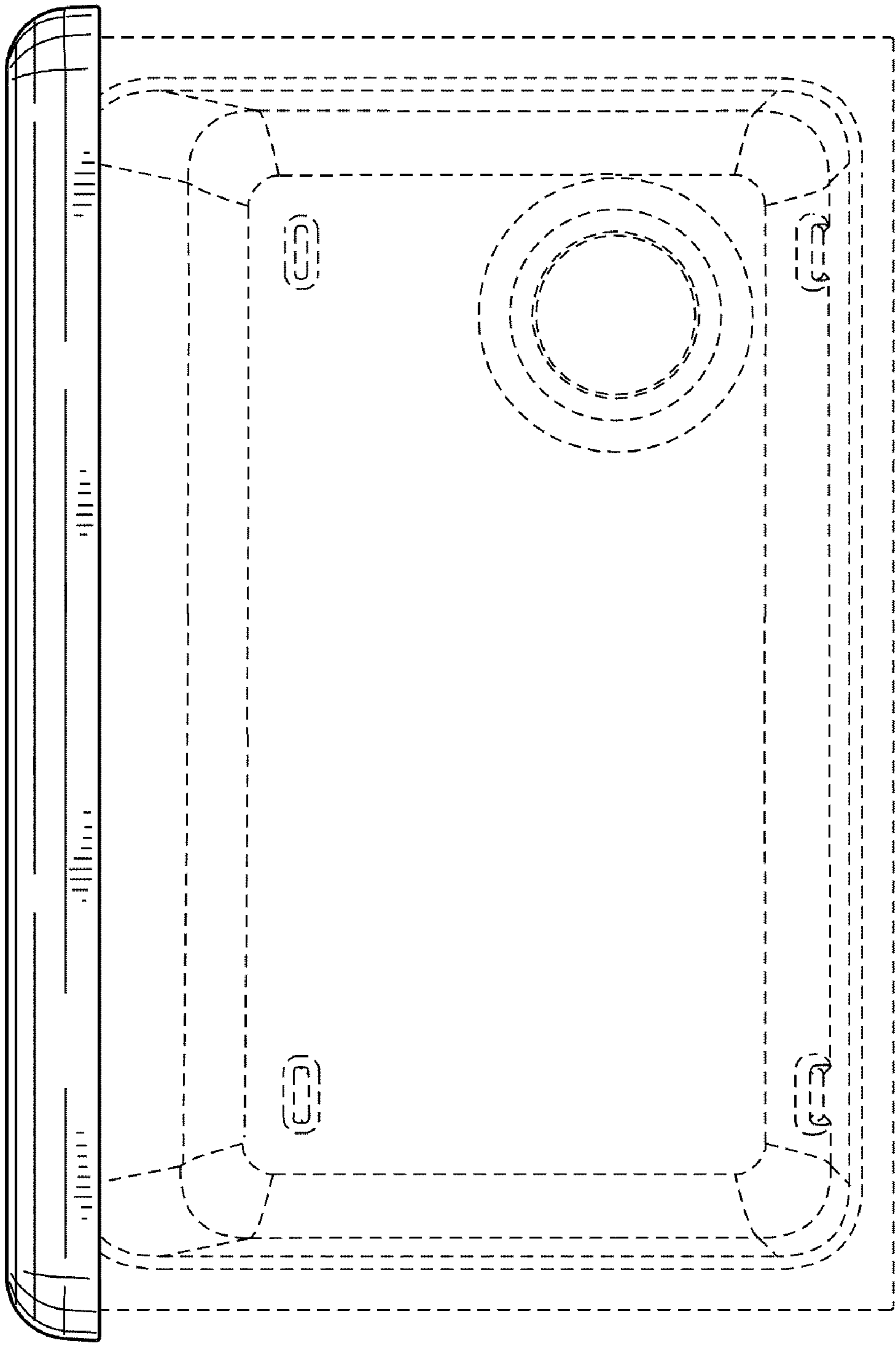


FIG. 44

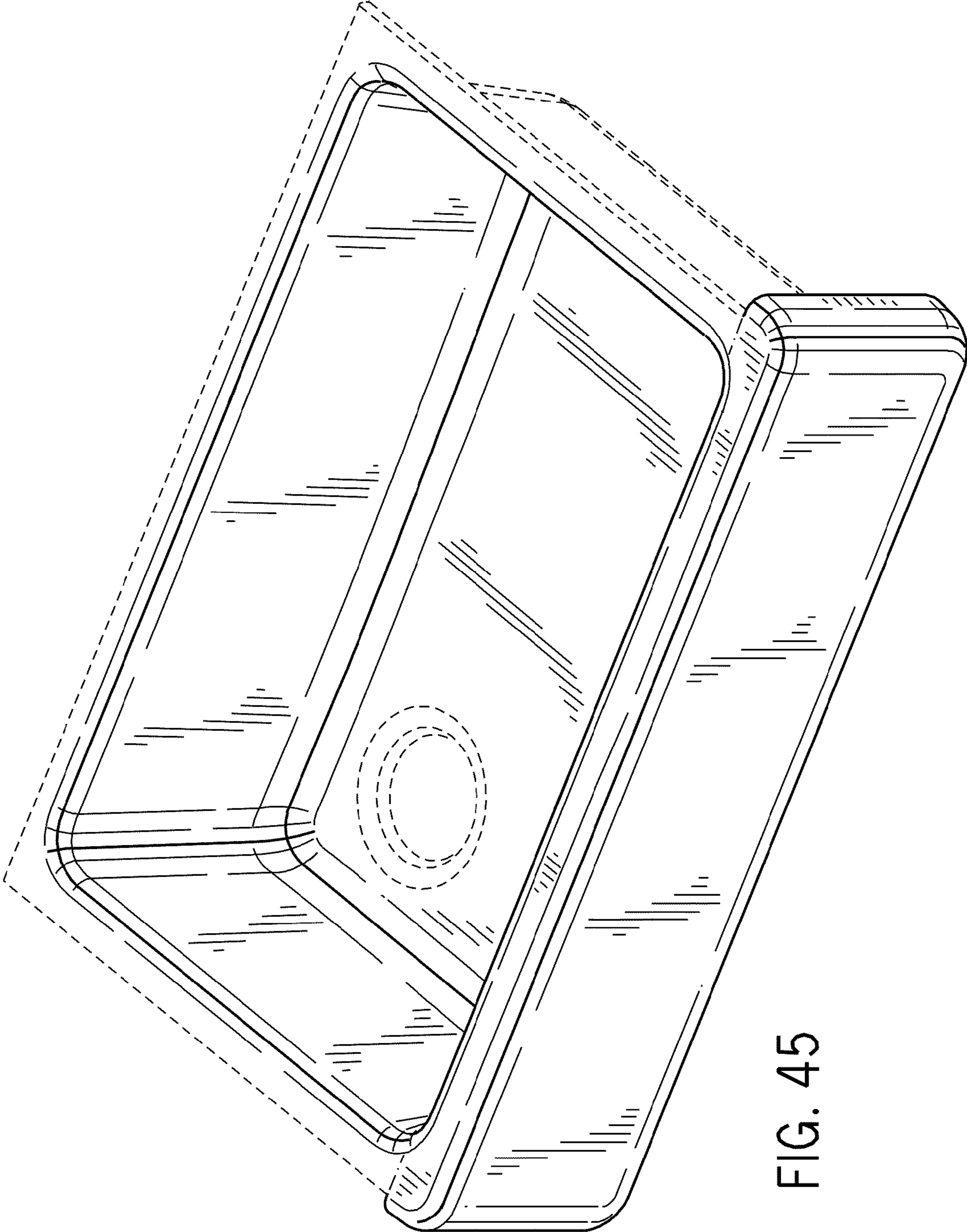


FIG. 45

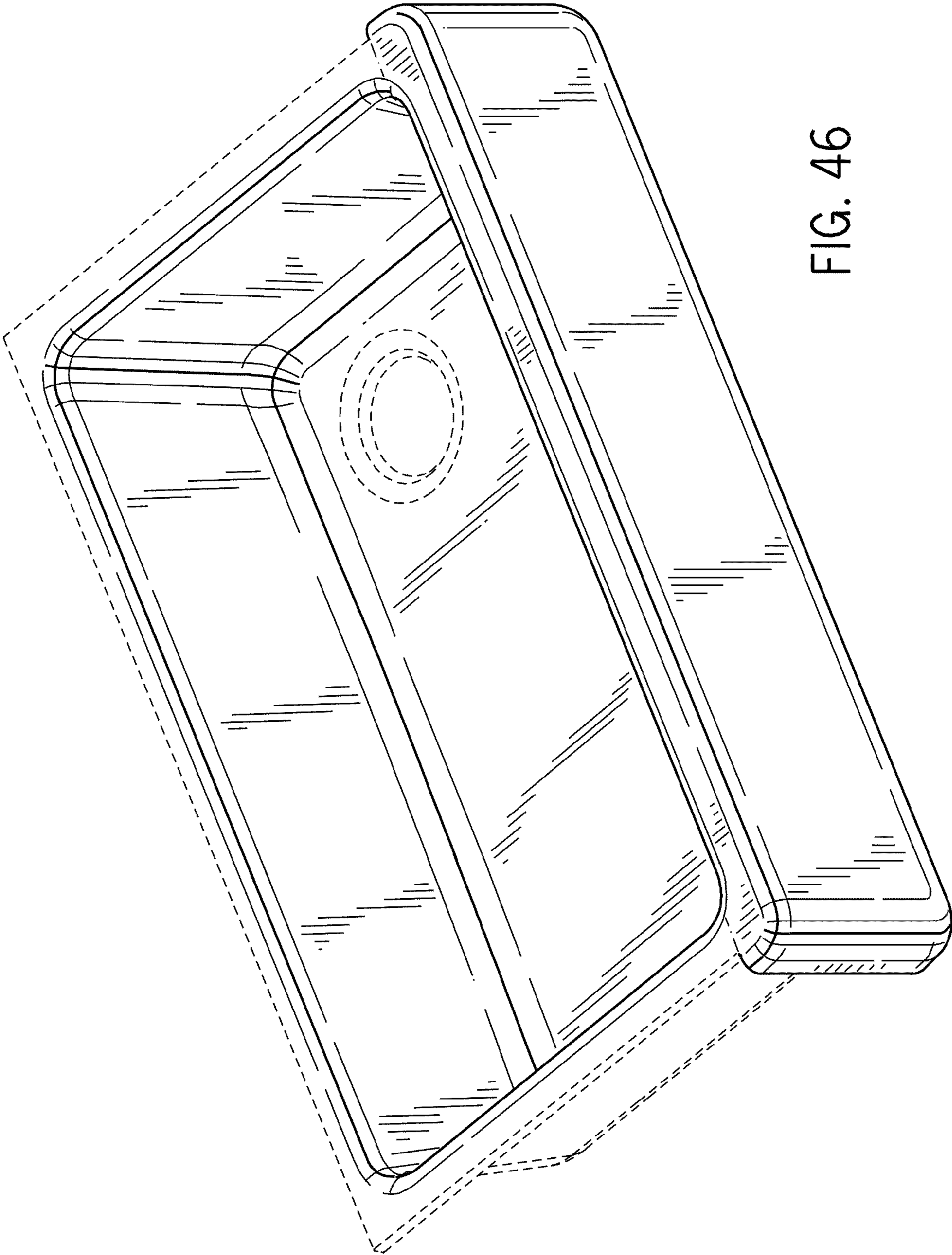


FIG. 46

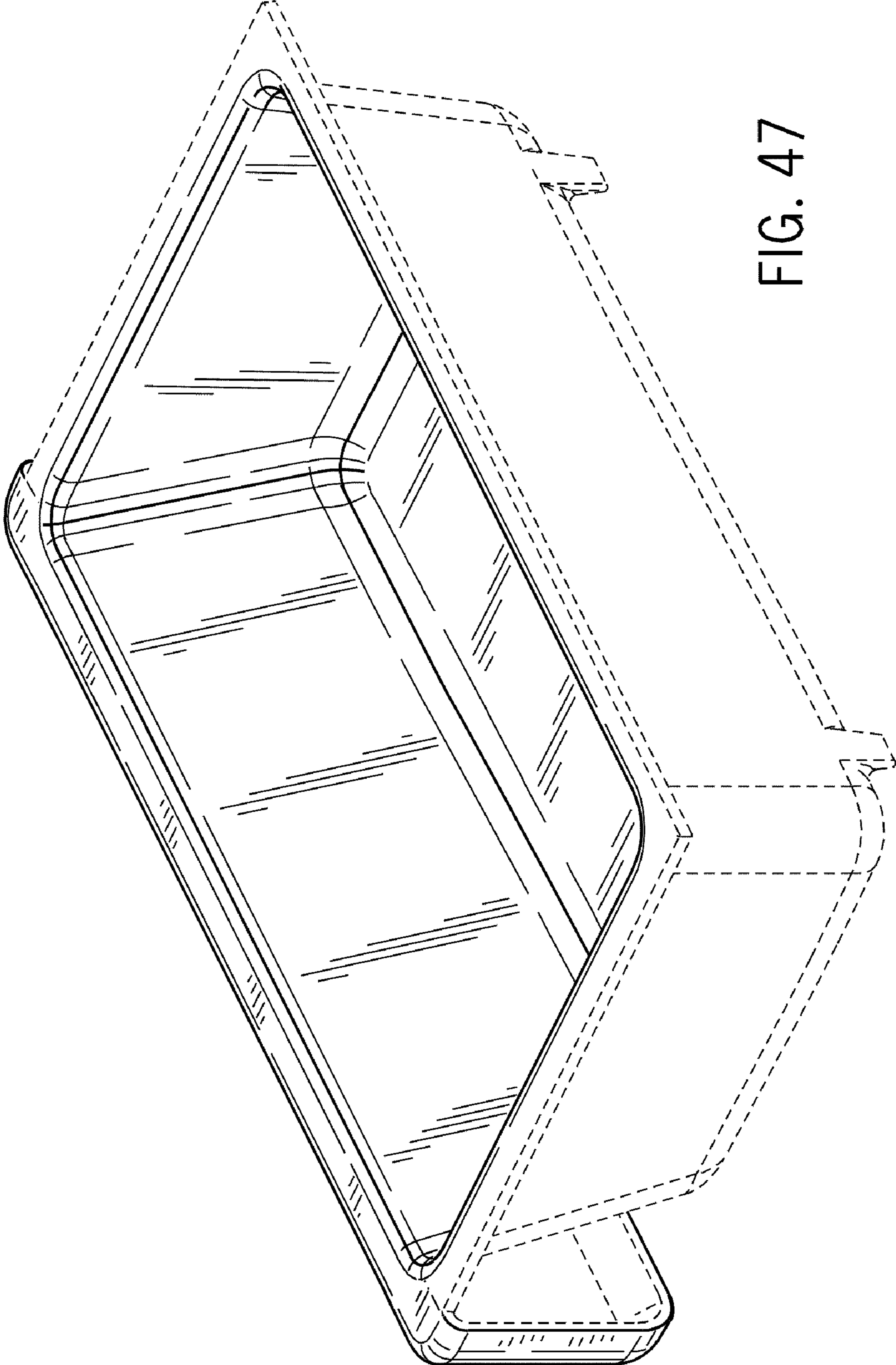


FIG. 47

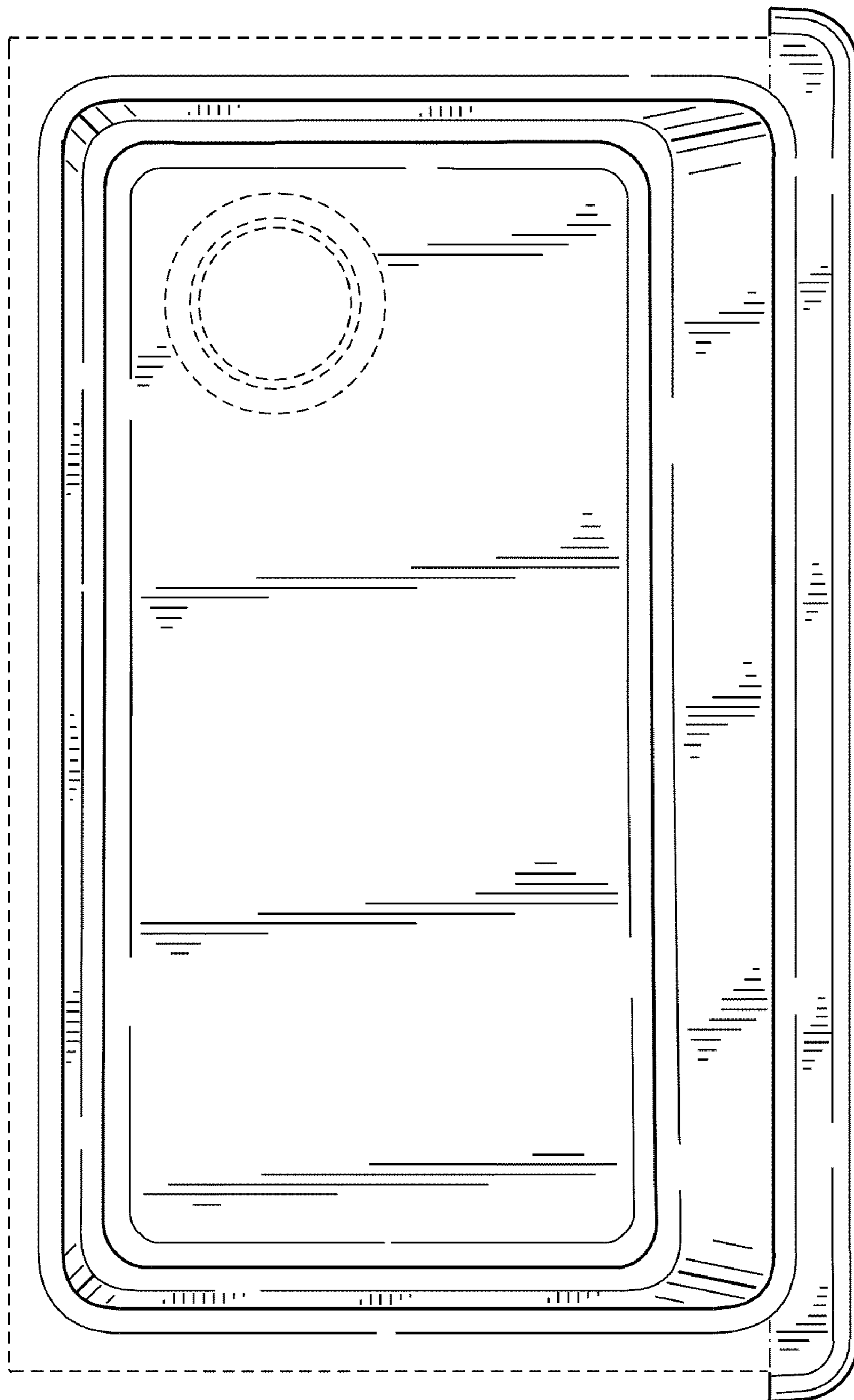


FIG. 48

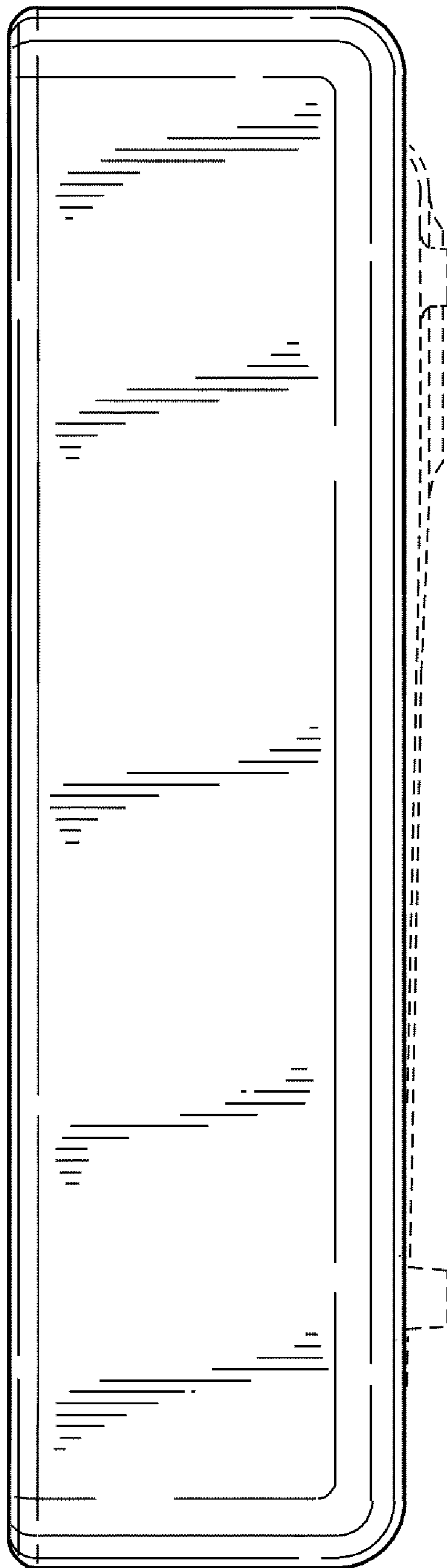


FIG. 49

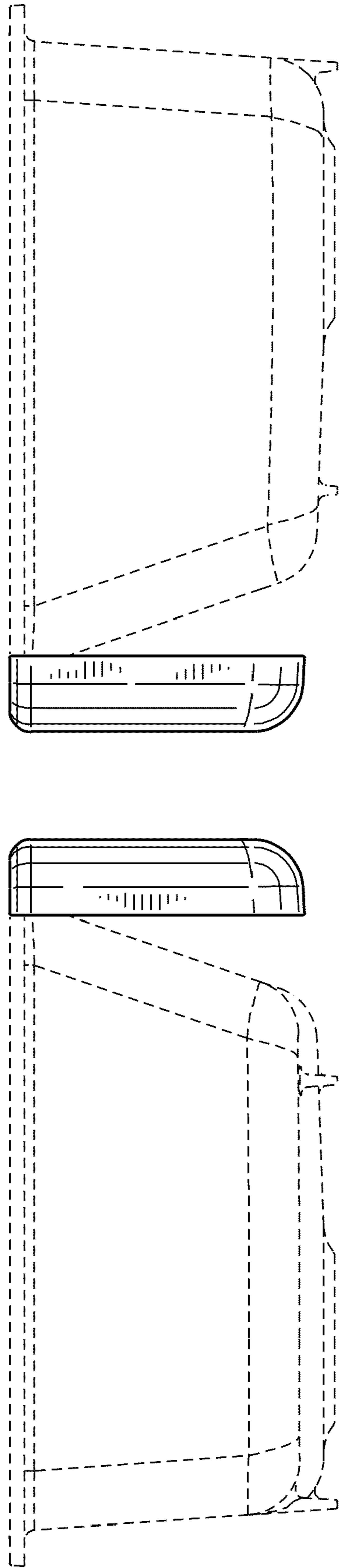


FIG. 50

FIG. 51

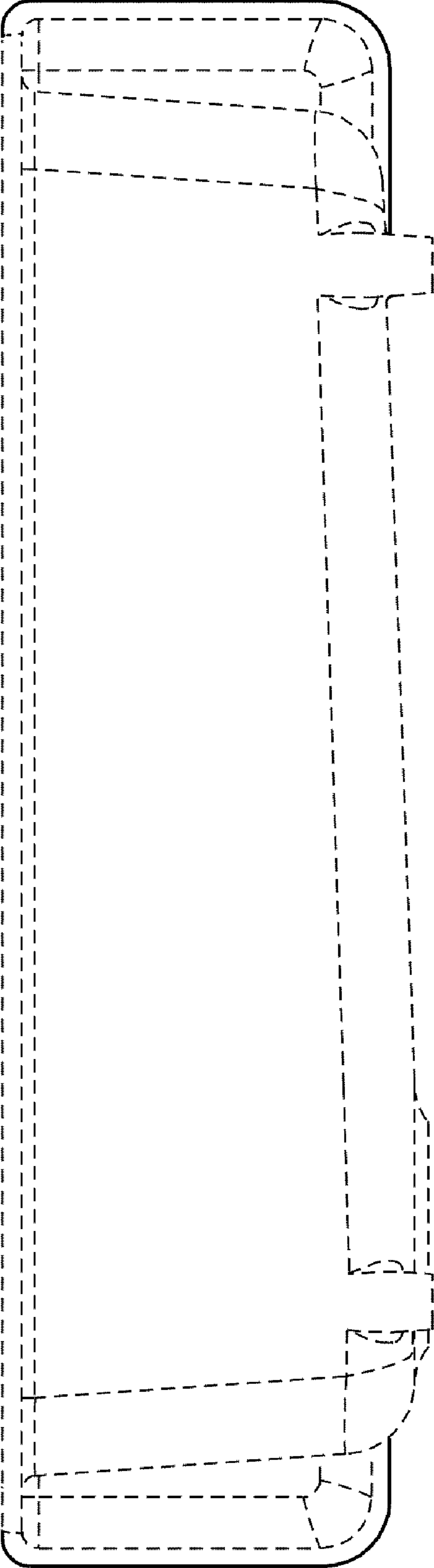


FIG. 52



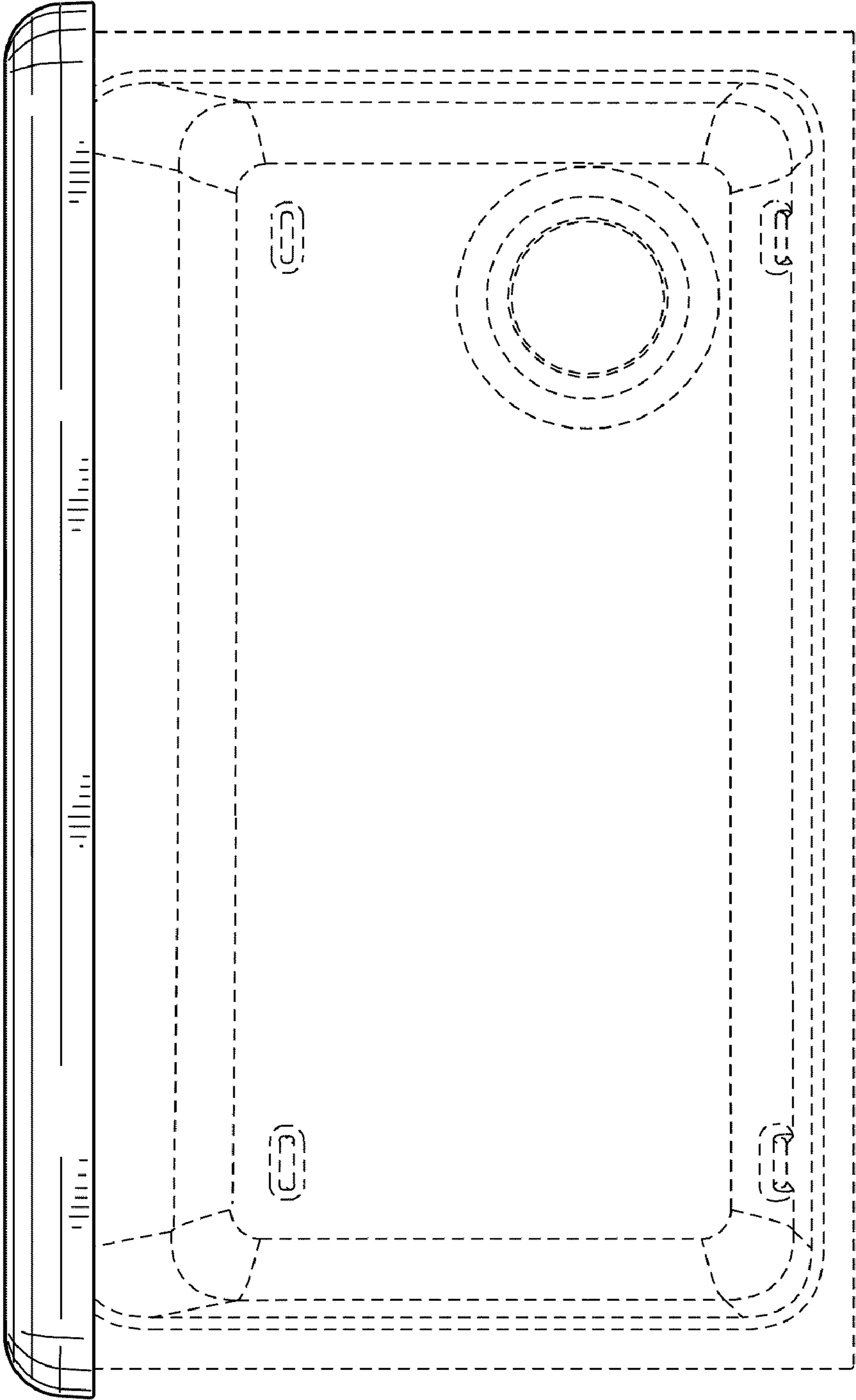


FIG. 53

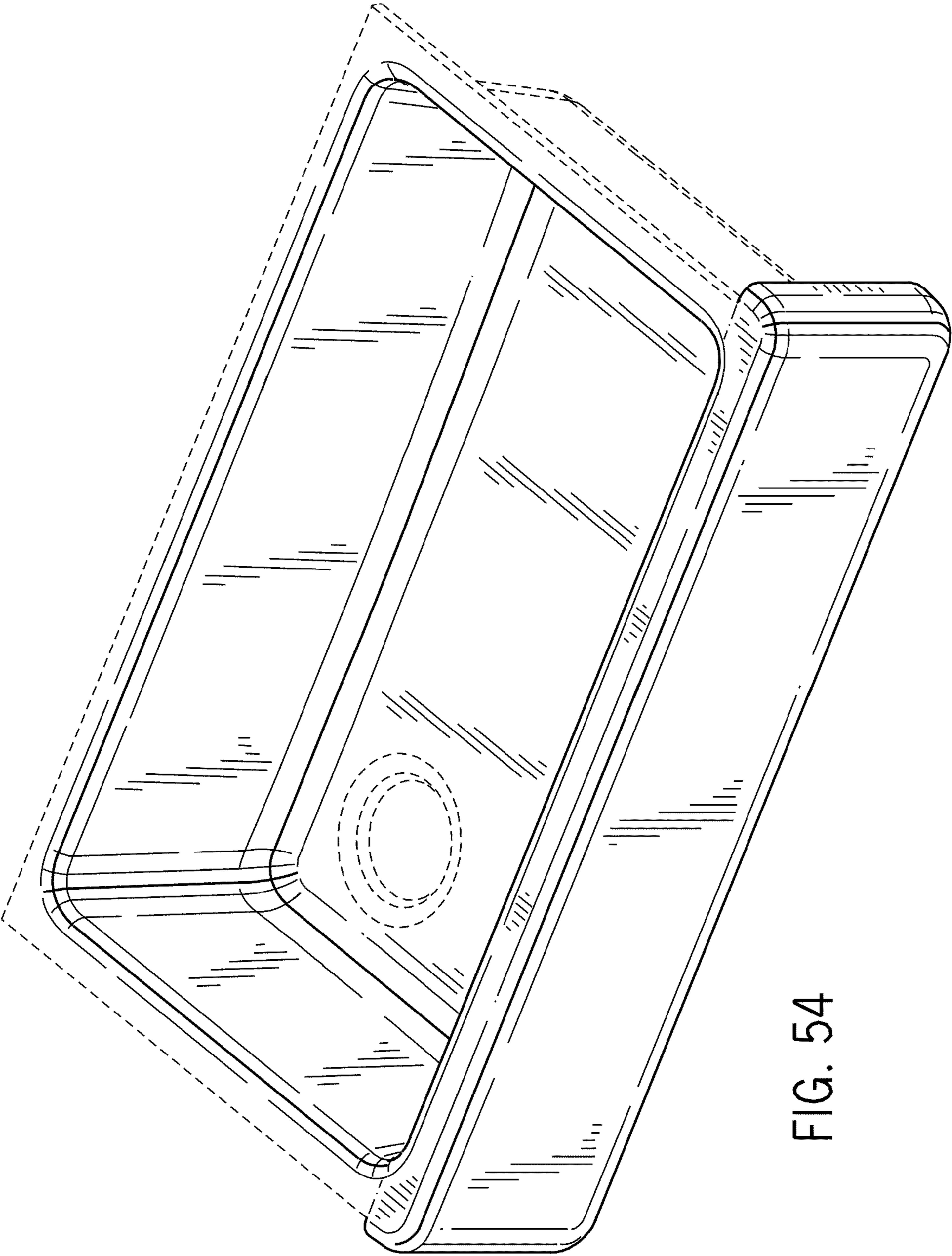


FIG. 54