



US00D651698S

(12) **United States Design Patent**
Broderick

(10) **Patent No.:** **US D651,698 S**
(45) **Date of Patent:** **** Jan. 3, 2012**

(54) **BABY BATH TUB**

(76) Inventor: **Tiffany Broderick**, Scottsdale, AZ (US)

(**) Term: **14 Years**

(21) Appl. No.: **29/397,573**

(22) Filed: **Jul. 18, 2011**

(51) **LOC (9) Cl.** **23-02**

(52) **U.S. Cl.** **D23/278**

(58) **Field of Classification Search** D23/278,
D23/304; 4/572.1, 586; D6/390
See application file for complete search history.

(56) **References Cited**

U.S. PATENT DOCUMENTS

2,178,468	A *	10/1939	Bukolt	4/586
2,700,776	A *	2/1955	Walters	4/572.1
3,094,711	A *	6/1963	Kentes	4/550
3,931,652	A	1/1976	Navarra	
D261,028	S *	9/1981	Bitvai	D23/284
4,602,394	A	7/1986	Allen et al.	
D289,319	S *	4/1987	Kujawski et al.	D23/278
5,809,588	A	9/1998	Angelotti	
2009/0158521	A1	6/2009	Richardson et al.	

OTHER PUBLICATIONS

Puj Tub Product Description, available at <http://pujbaby.com/products-page/puj-tub/puj-tub/>, last visited Jul. 18, 2011.
Puj Tub Google Products Description, last visited Feb. 22, 2011.
Puj Tub Product Description from IFED2009.org, last visited Feb. 20, 2011.

* cited by examiner

Primary Examiner — Robert Delehanty

(74) *Attorney, Agent, or Firm* — Adam R. Stephenson, Ltd.

(57) **CLAIM**

The ornamental design for a baby bath tub, as shown and described.

DESCRIPTION

FIG. 1 is a perspective view of an implementation of a baby bath tub;

FIG. 2 is a front side view thereof, the back side, left side and right side each being a mirror image;

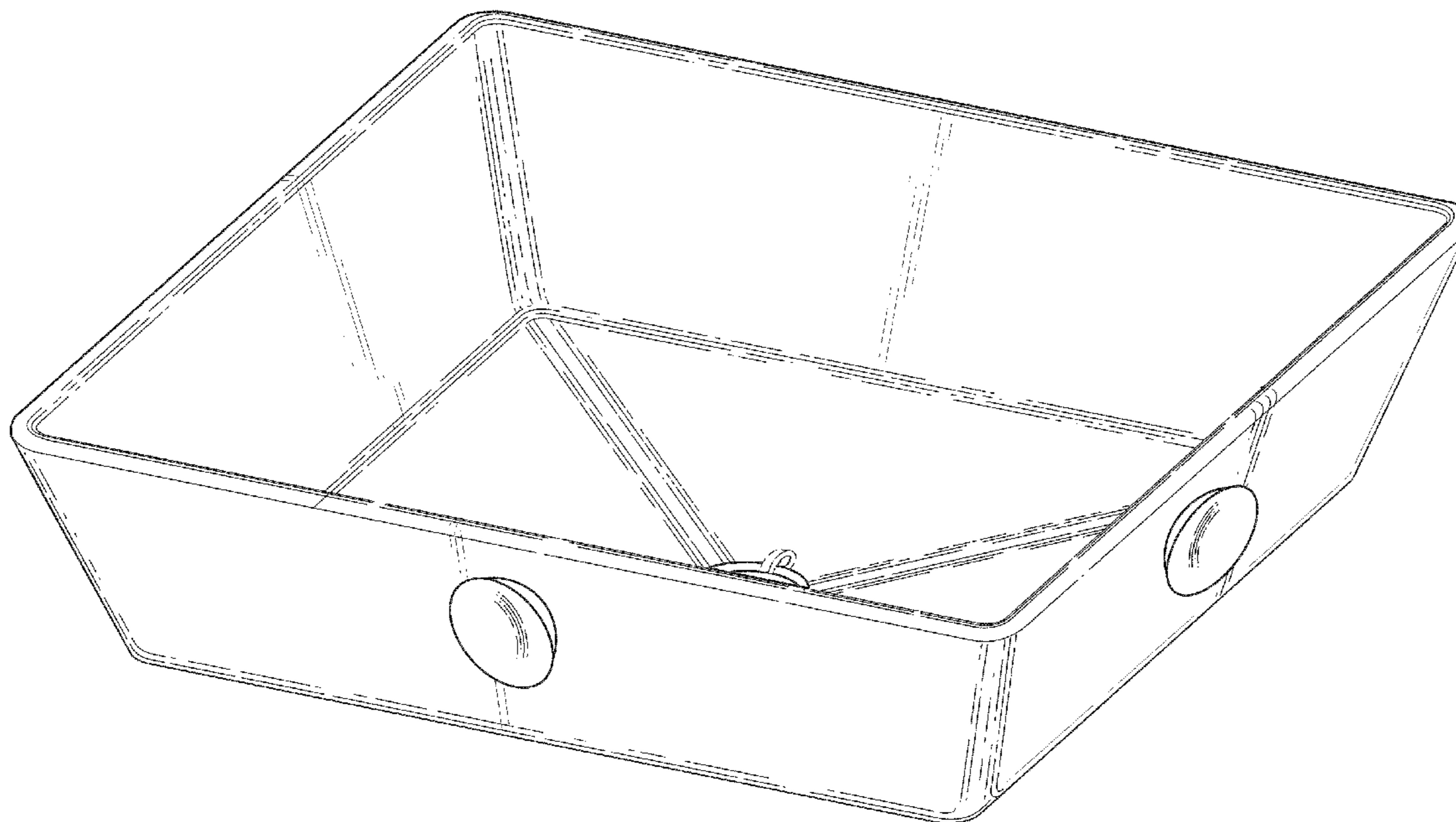
FIG. 3 is top view thereof;

FIG. 4 is a bottom view thereof; and,

FIG. 5 is an additional perspective view.

All broken lines are directed to environment and are for illustrative purposes only and form no part of the claimed design.

1 Claim, 5 Drawing Sheets



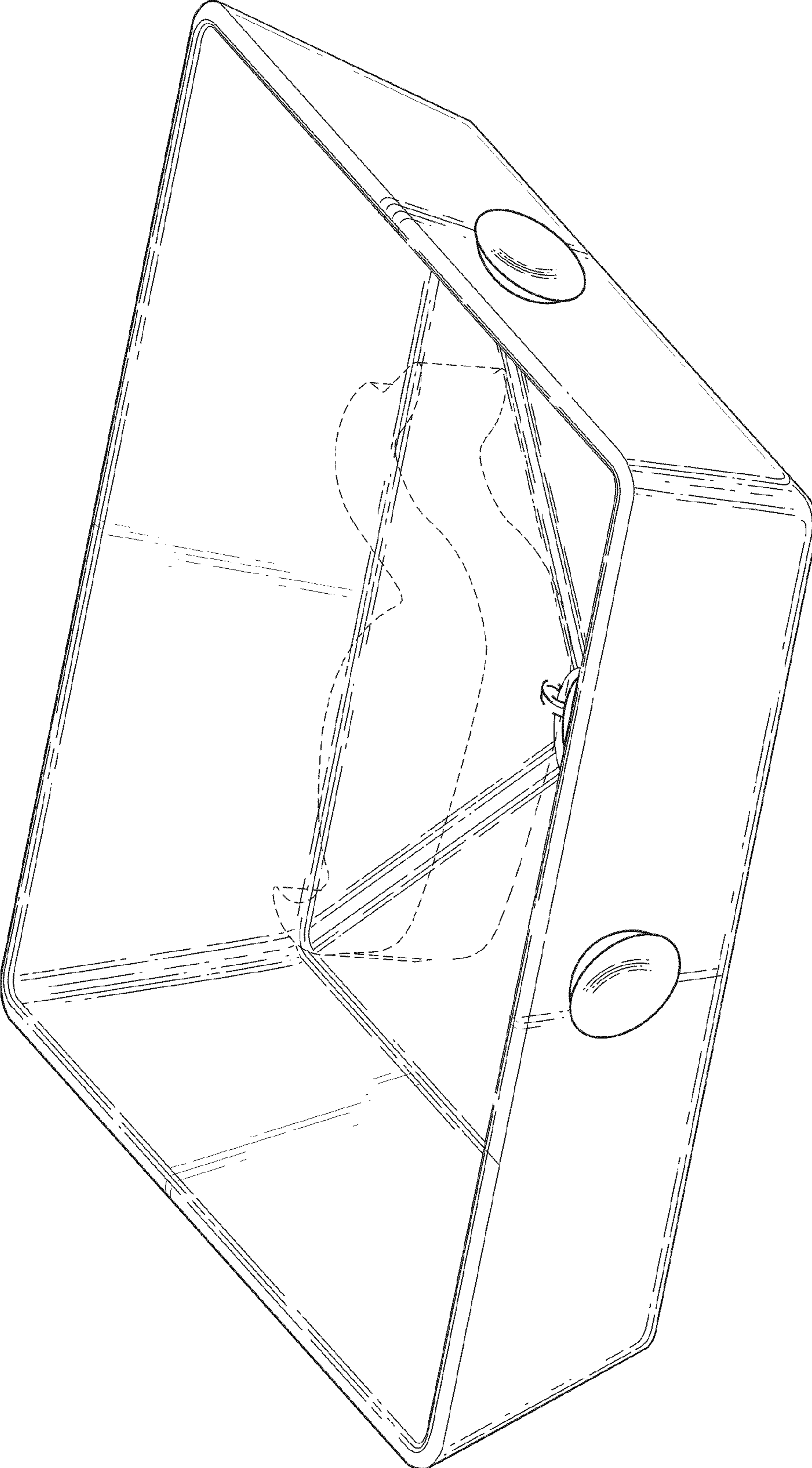


Fig. 1

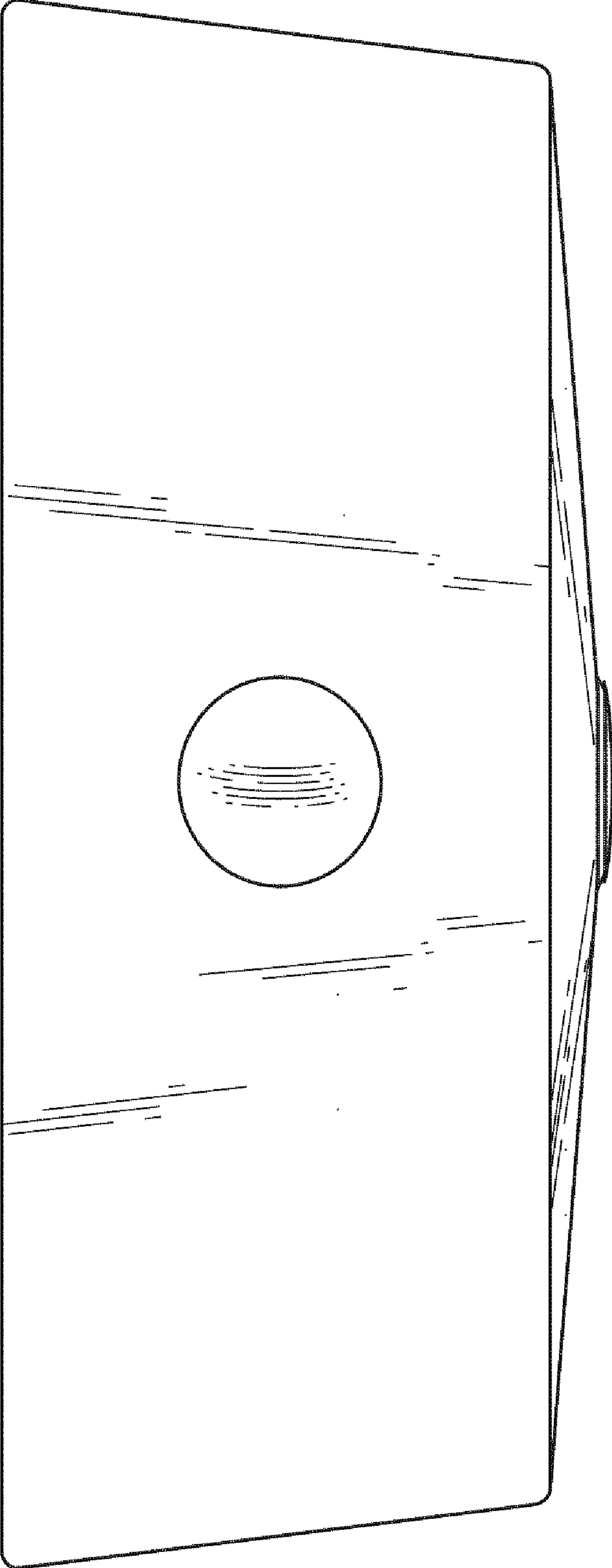


Fig. 2

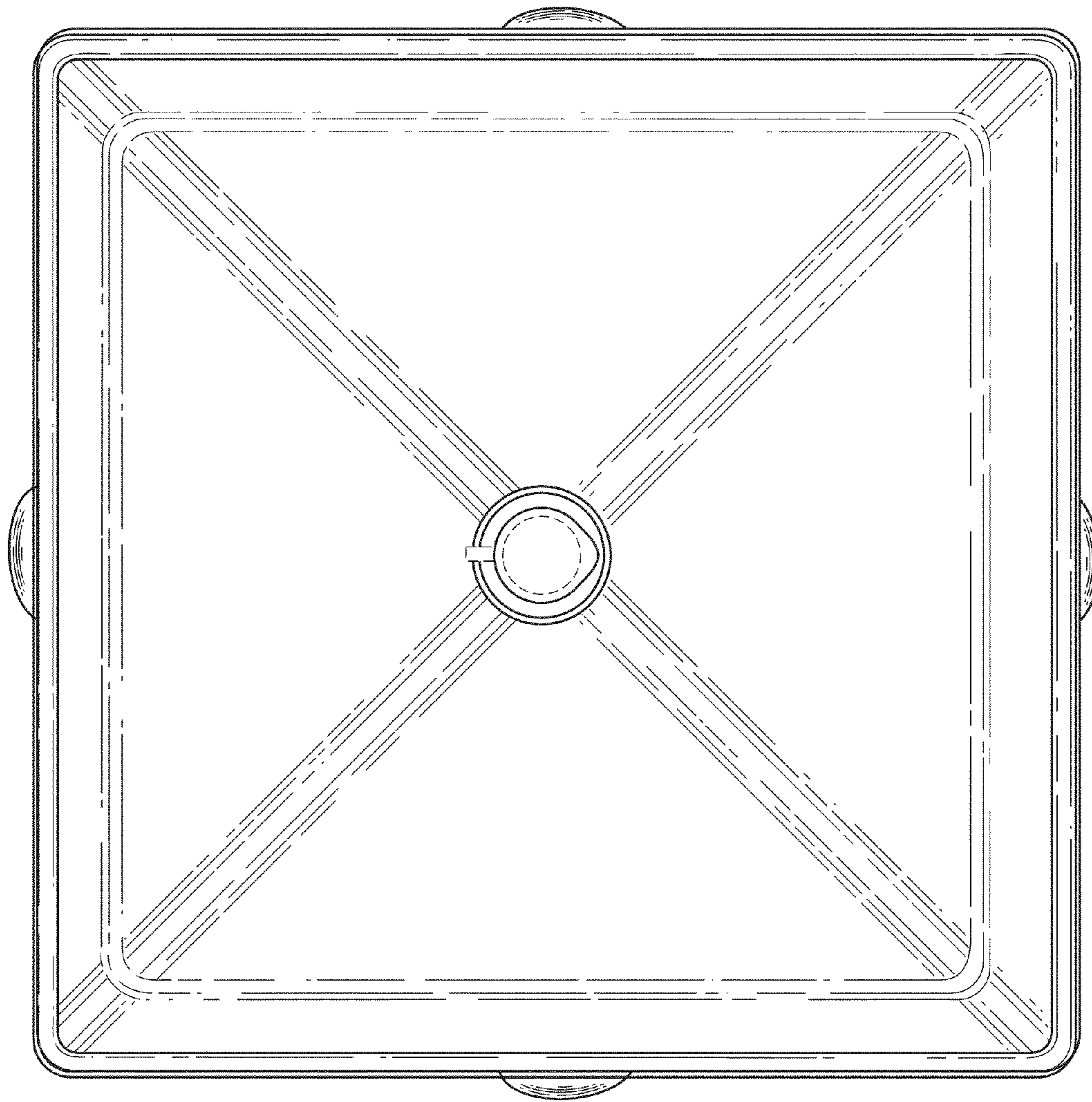


Fig. 3

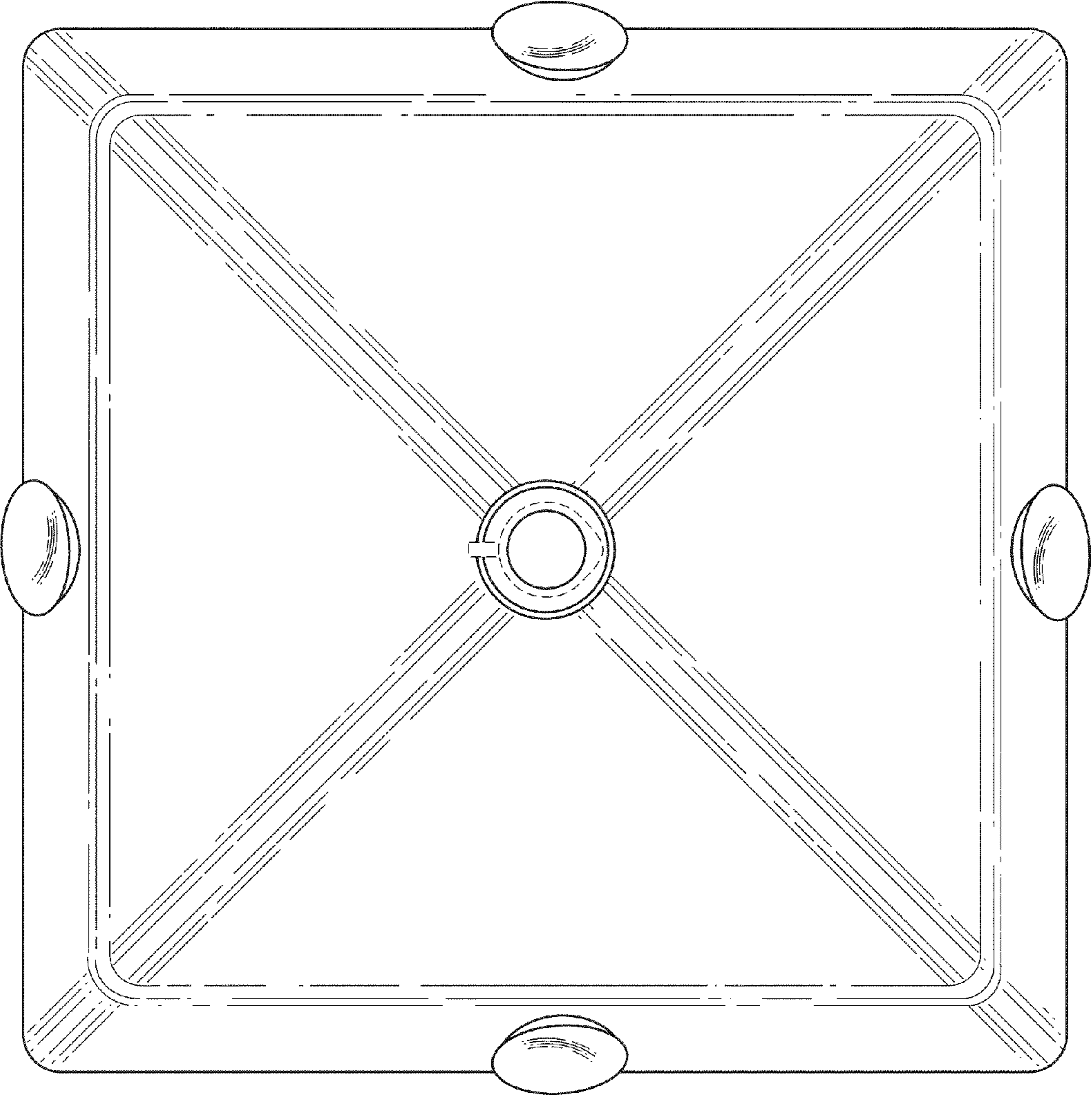


Fig. 4

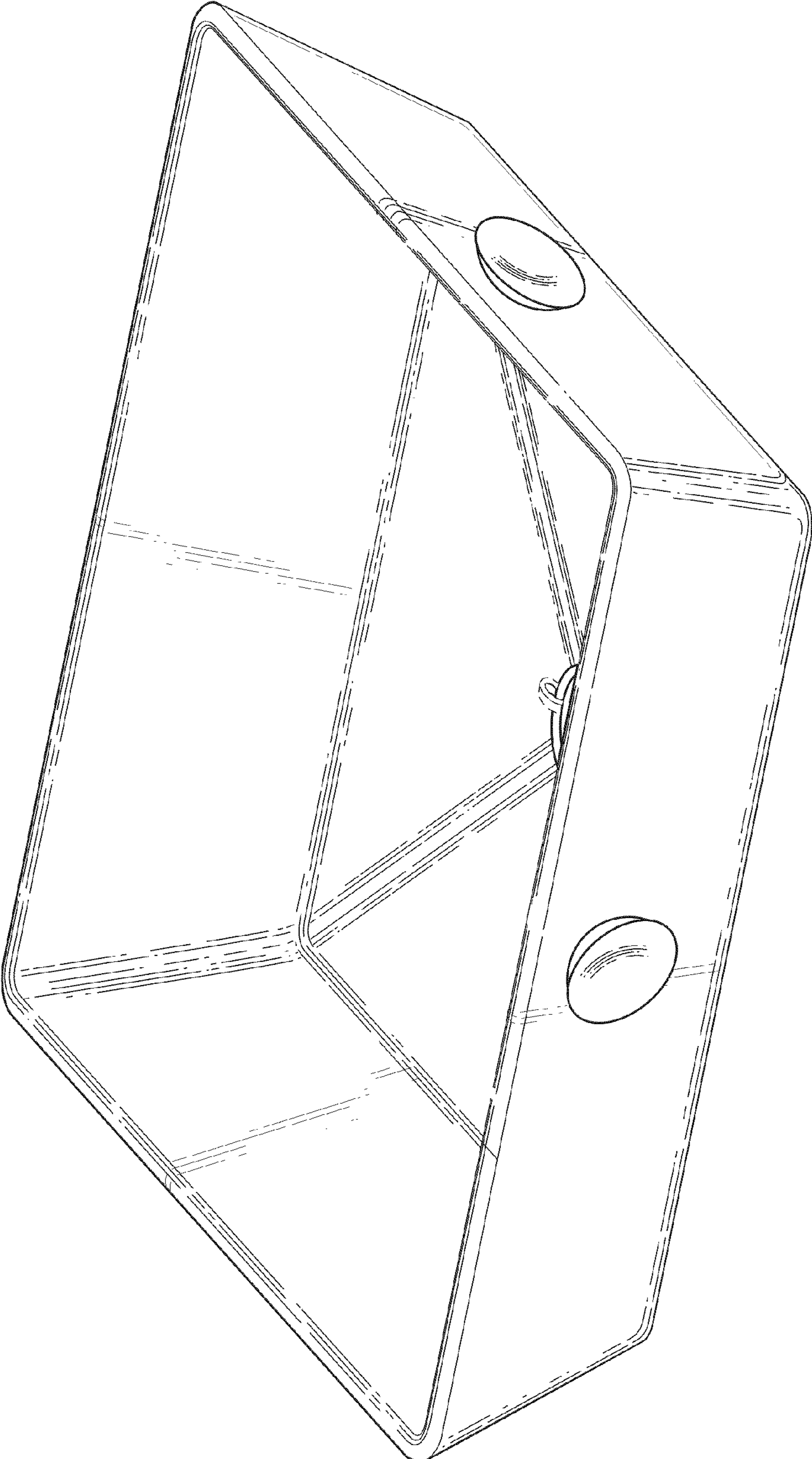


Fig. 5