



US00D651697S

(12) **United States Design Patent**
Dehart, Sr.

(10) **Patent No.:** **US D651,697 S**
(45) **Date of Patent:** **** Jan. 3, 2012**

(54) **RAIN GUTTER INSIDE CORNER PIECE**

2011/0185640 A1* 8/2011 DeHart, Sr. 52/11
* cited by examiner

(76) Inventor: **Jimmy J. Dehart, Sr.**, Landenberg, PA
(US)

Primary Examiner — T. Chase Nelson
Assistant Examiner — Eric Goodman

(**) Term: **14 Years**

(74) *Attorney, Agent, or Firm* — John R. Benefiel

(21) Appl. No.: **29/382,530**

(57) **CLAIM**

The ornamental design for a rain gutter inside corner piece, as shown and described.

(22) Filed: **Jan. 5, 2011**

DESCRIPTION

(51) **LOC (9) Cl.** **23-01**

(52) **U.S. Cl.** **D23/267**

(58) **Field of Classification Search** D23/267;
52/11-13, 16; 248/48.1; 404/4-5, 2; 405/118;
D25/119

See application file for complete search history.

FIG. 1 is a pictorial view of a rain gutter inside corner piece according to the present invention.

FIG. 2 is a top view of the rain gutter inside corner piece shown in FIG. 1.

FIG. 3 is a front view of the rain gutter inside corner piece shown in FIG. 1.

FIG. 4 is a left side view of the rain gutter inside corner piece shown in FIGS. 1-3.

FIG. 5 is a right side of the rain gutter inside corner piece shown in FIGS. 1-4.

FIG. 6 is a rear view of the rain gutter inside corner piece shown in FIGS. 1-5; and,

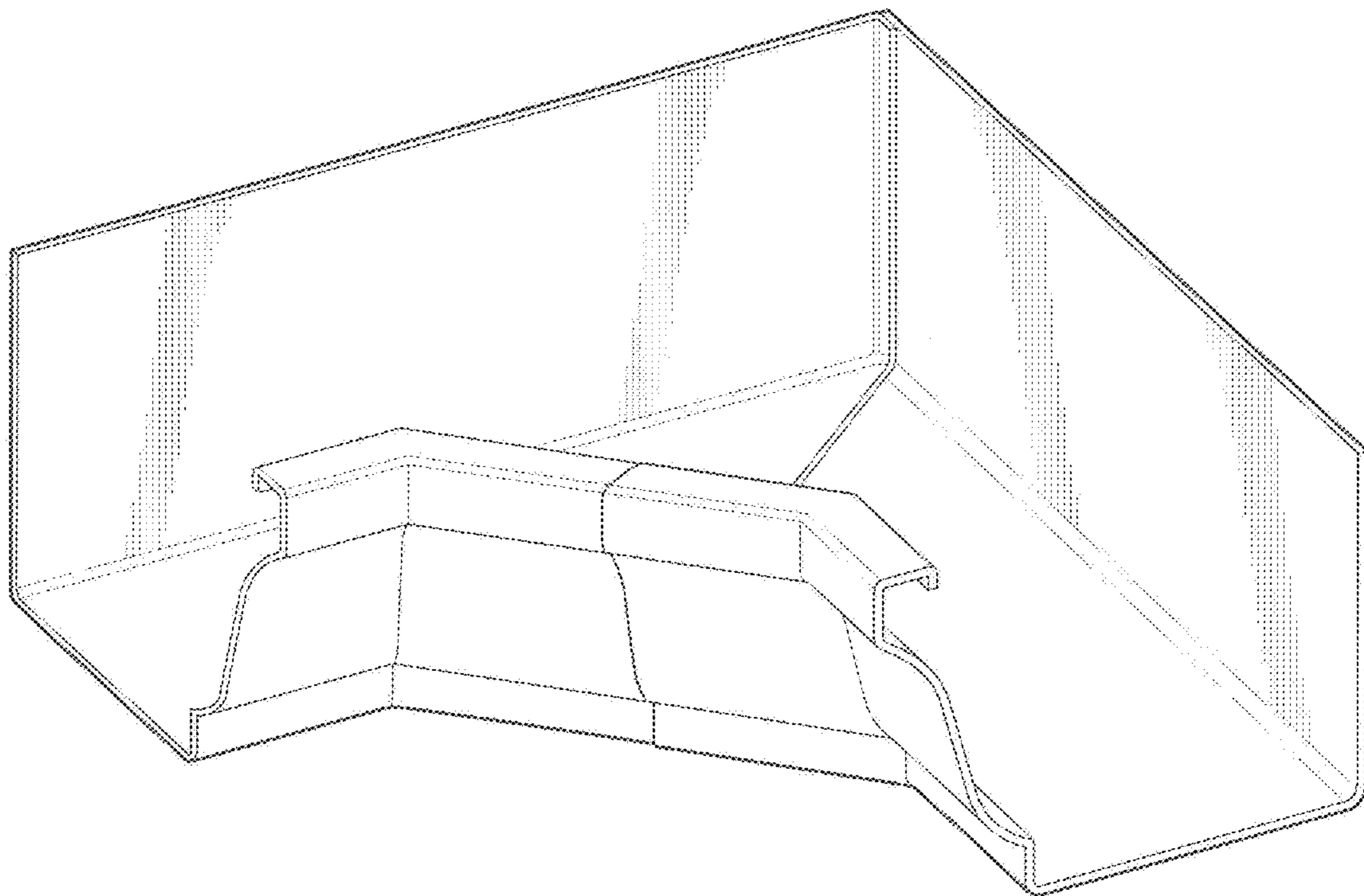
FIG. 7 is a bottom view of the rain gutter inside corner piece shown in FIGS. 1-6.

(56) **References Cited**

U.S. PATENT DOCUMENTS

D82,957	S *	12/1930	Rachlin	D23/267
D454,180	S *	3/2002	Wessels	D23/267
6,883,760	B2 *	4/2005	Seise, Jr.	248/48.1
7,076,921	B2 *	7/2006	Spradlin	52/11
D586,439	S *	2/2009	Porter	D23/267
2001/0032418	A1 *	10/2001	Richardson	52/11
2003/0115807	A1 *	6/2003	Richardson	52/11
2006/0225368	A1 *	10/2006	Roe	52/12

1 Claim, 5 Drawing Sheets



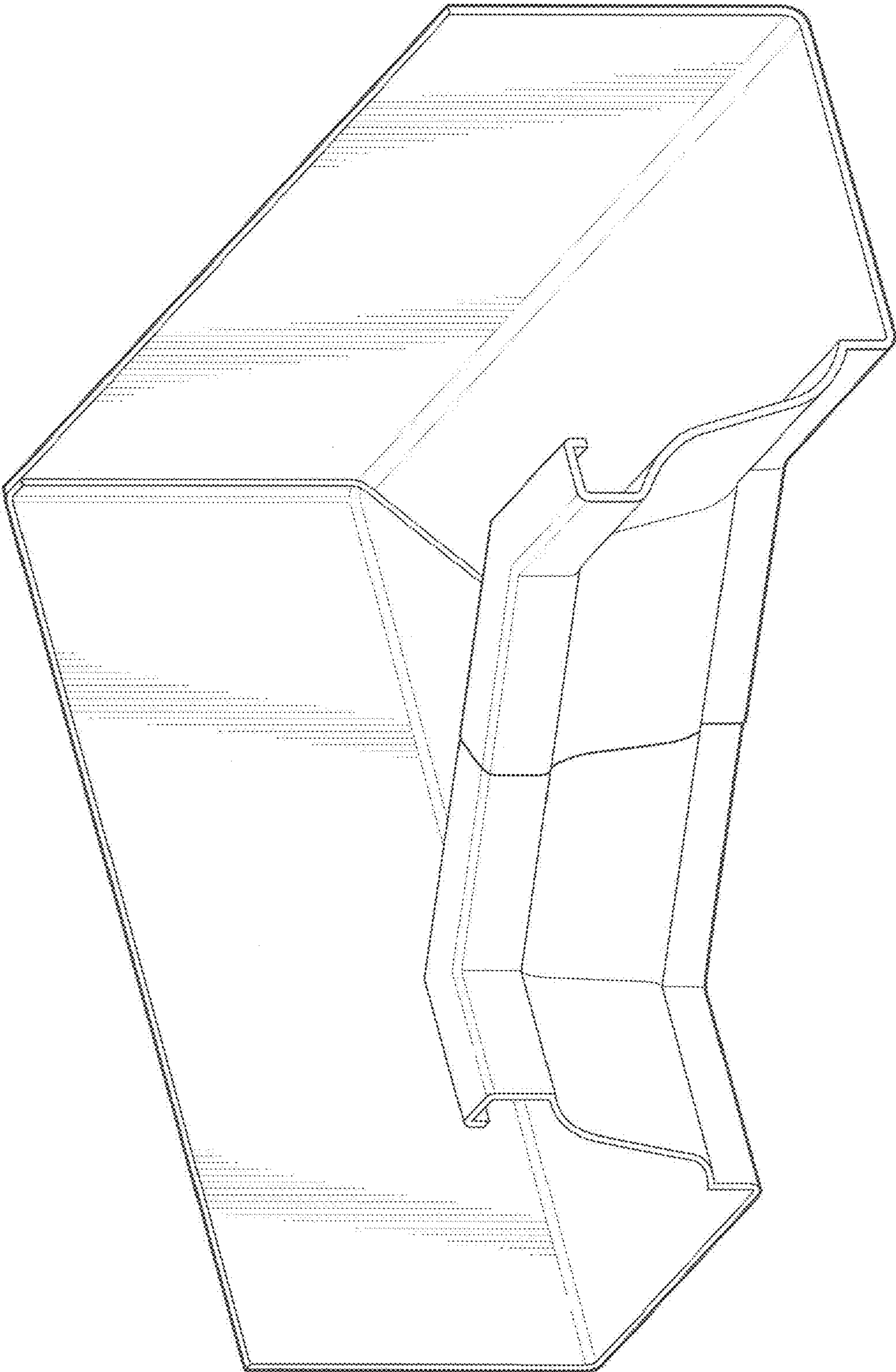


FIG. 1

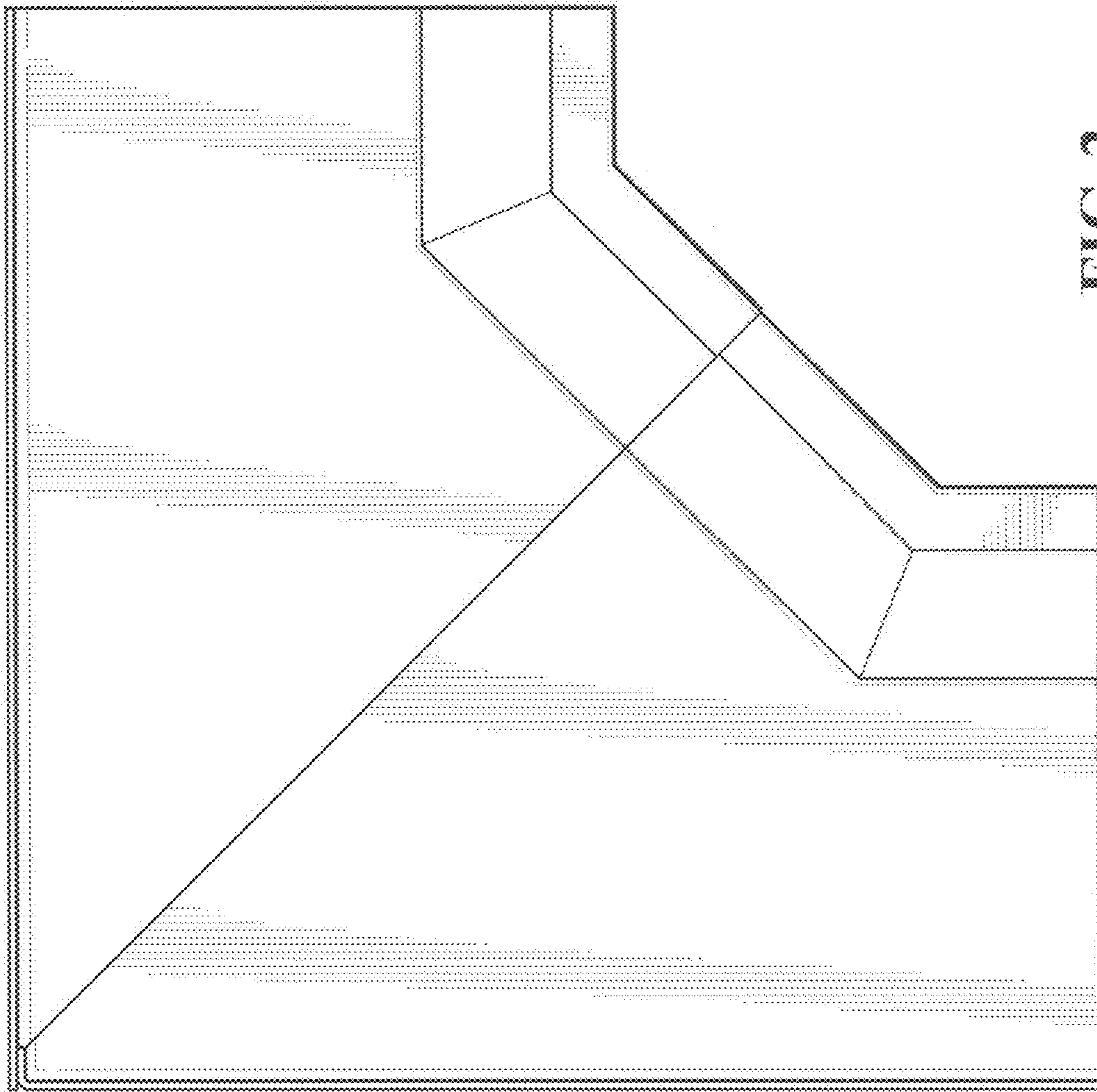


FIG. 2

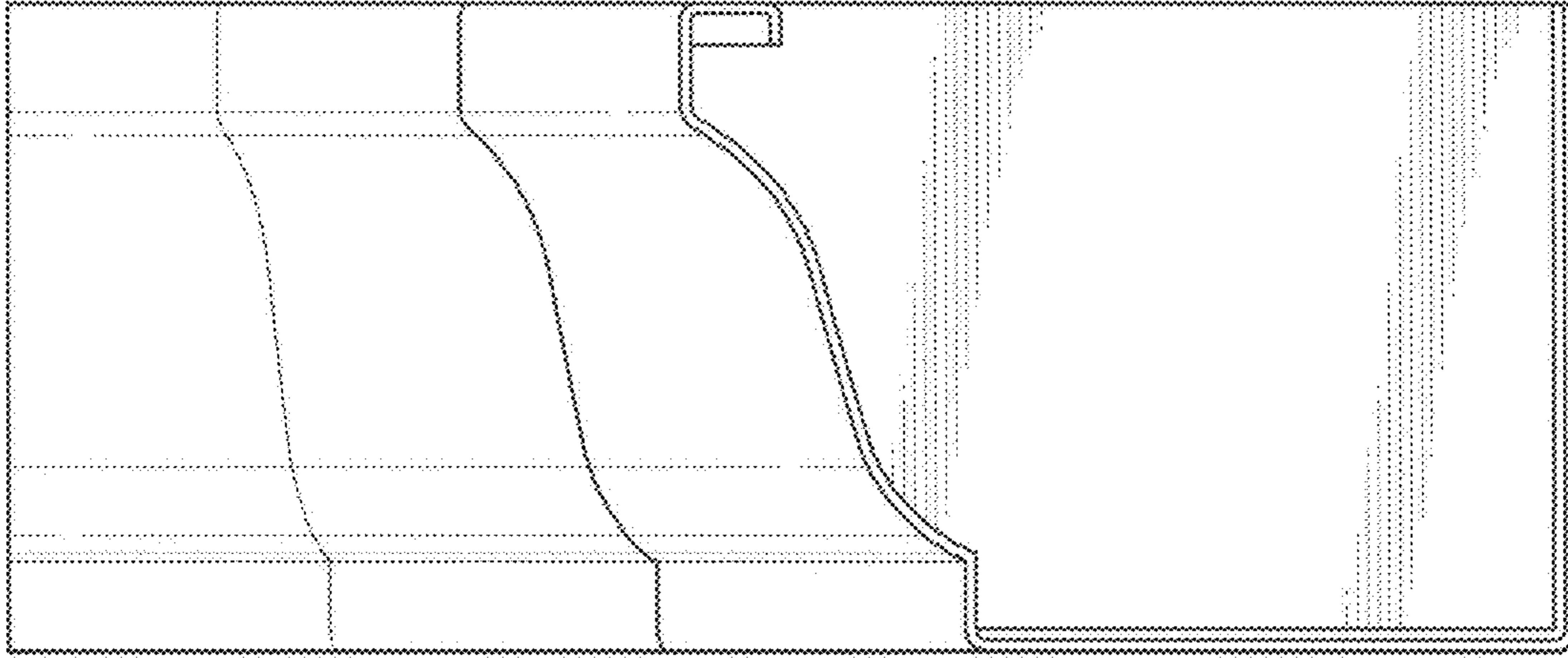


FIG. 3

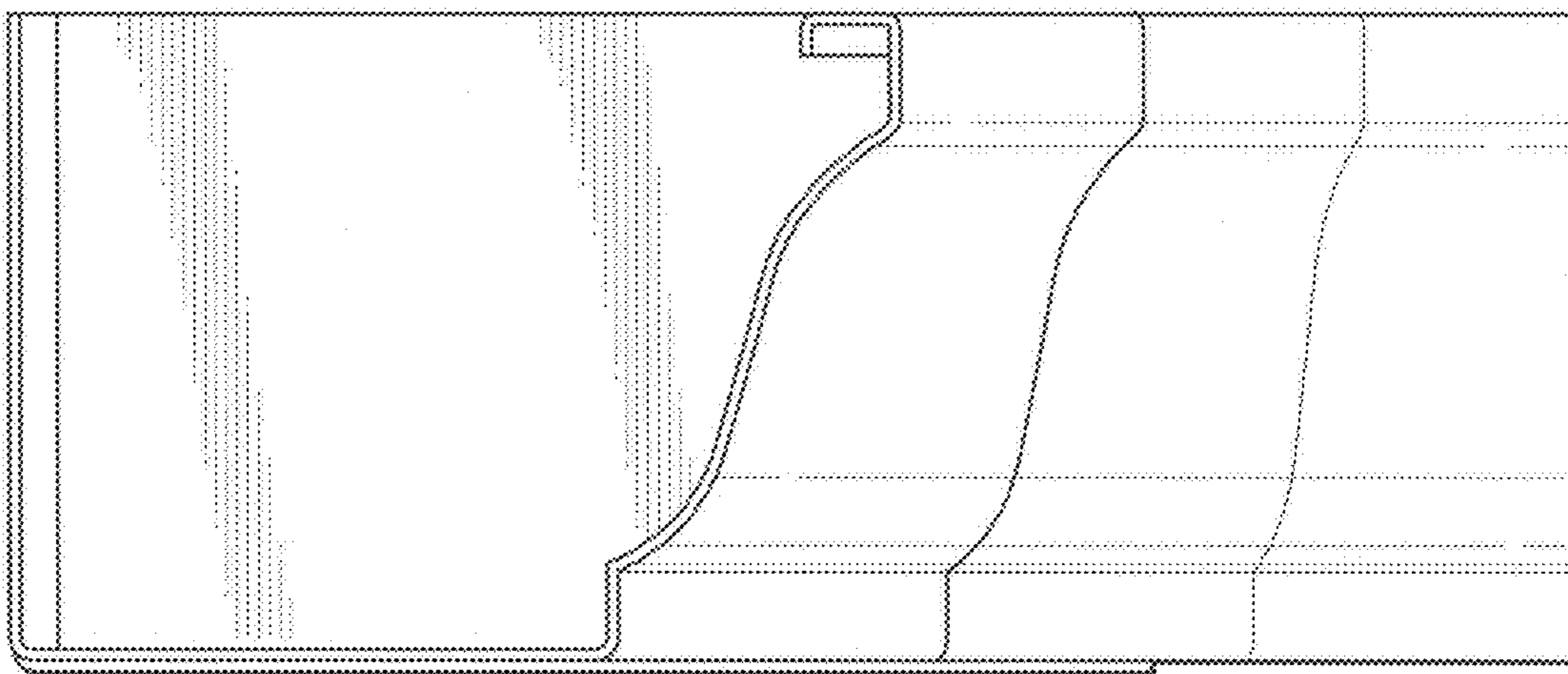


FIG. 4

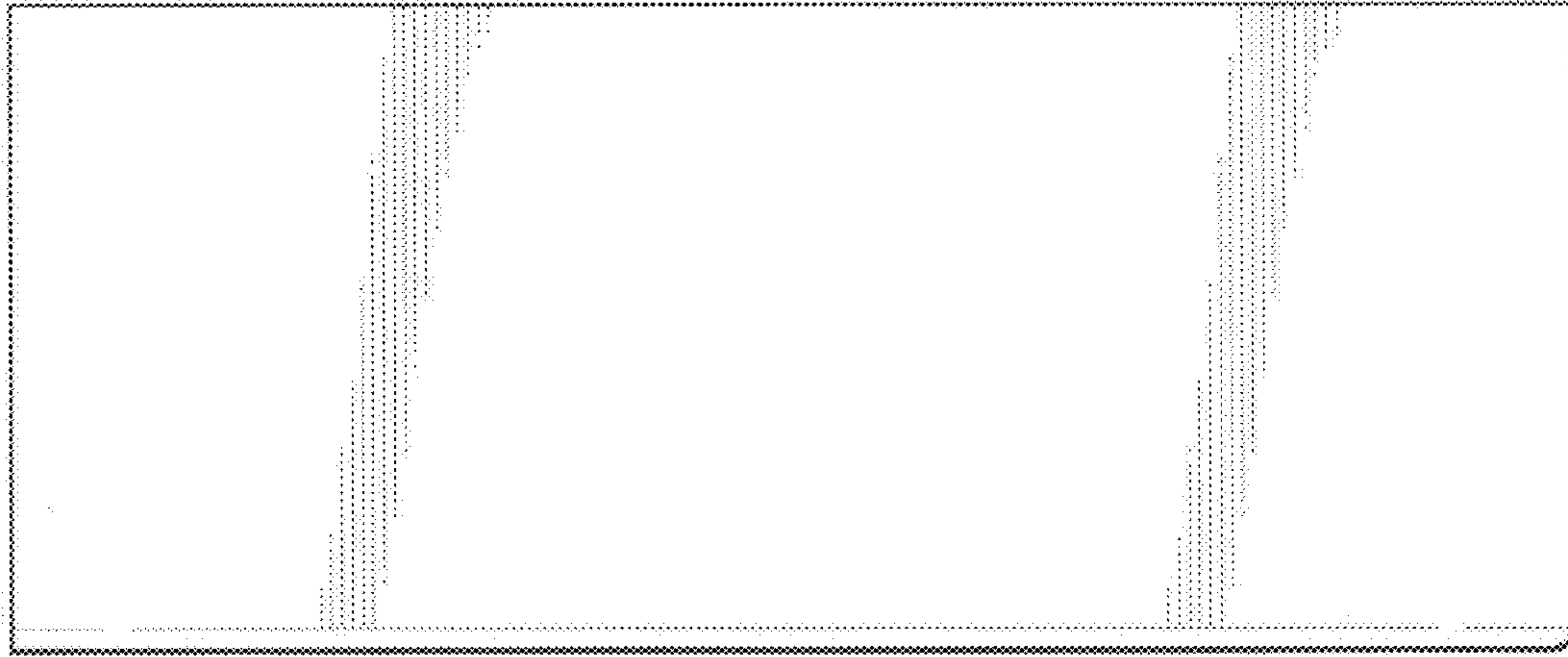


FIG. 5

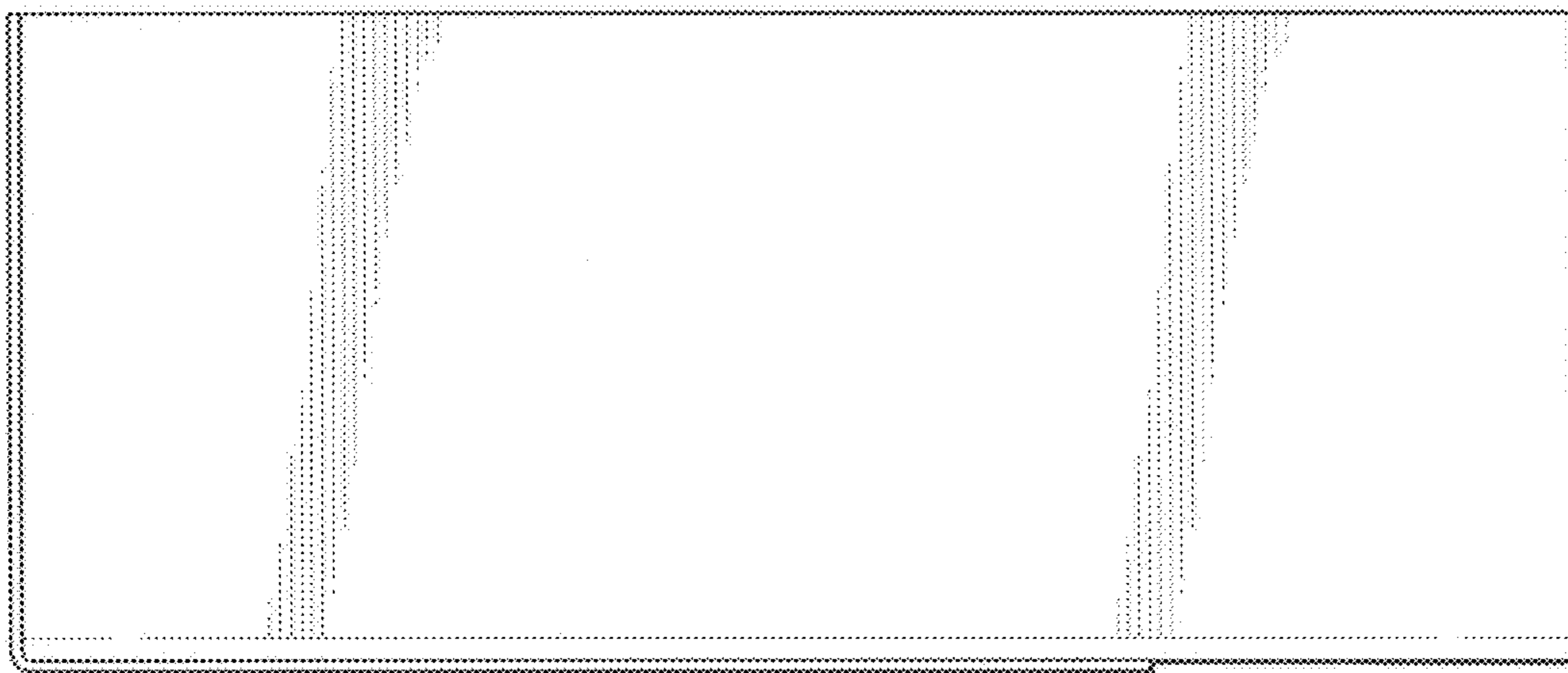


FIG. 6

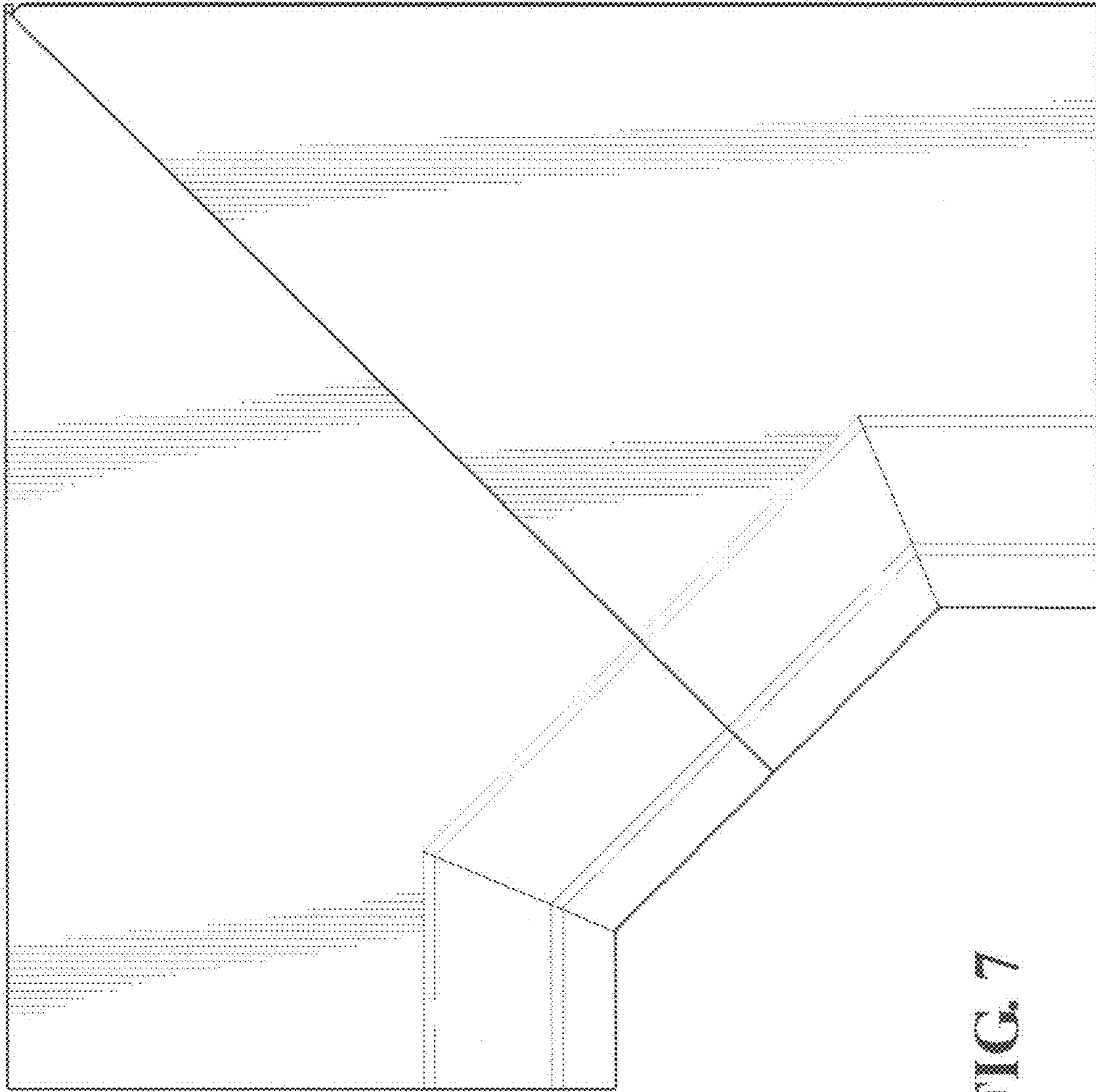


FIG. 7