



US00D651695S

(12) **United States Design Patent**
Johnson et al.

(10) **Patent No.:** **US D651,695 S**

(45) **Date of Patent:** **** Jan. 3, 2012**

(54) **NOZZLE FOR A FITMENT**

(75) Inventors: **James W. Johnson**, Delaware, OH (US);
Mike Young, Mukwonago, WI (US);
Rick Woods, Rockton, IL (US)

(73) Assignee: **Liqui-Box Corporation**, Worthington,
OH (US)

(**) Term: **14 Years**

(21) Appl. No.: **29/353,383**

(22) Filed: **Jan. 7, 2010**

(51) **LOC (9) Cl.** **23-01**

(52) **U.S. Cl.** **D23/262**

(58) **Field of Classification Search** D23/262,
D23/263, 213; 141/329, 330; 251/155
See application file for complete search history.

(56) **References Cited**

U.S. PATENT DOCUMENTS

2,874,996 A * 2/1959 Zajac 239/583
4,436,125 A 3/1984 Blenkush
D387,147 S * 12/1997 Vandermast et al. D23/262

D570,457 S * 6/2008 Brown D23/262
D602,128 S * 10/2009 Williams et al. D23/262
D607,090 S * 12/2009 Johnson D23/262
D617,880 S * 6/2010 Johnson D23/262
D620,084 S * 7/2010 Talamantez D23/262

* cited by examiner

Primary Examiner — Robin V Webster

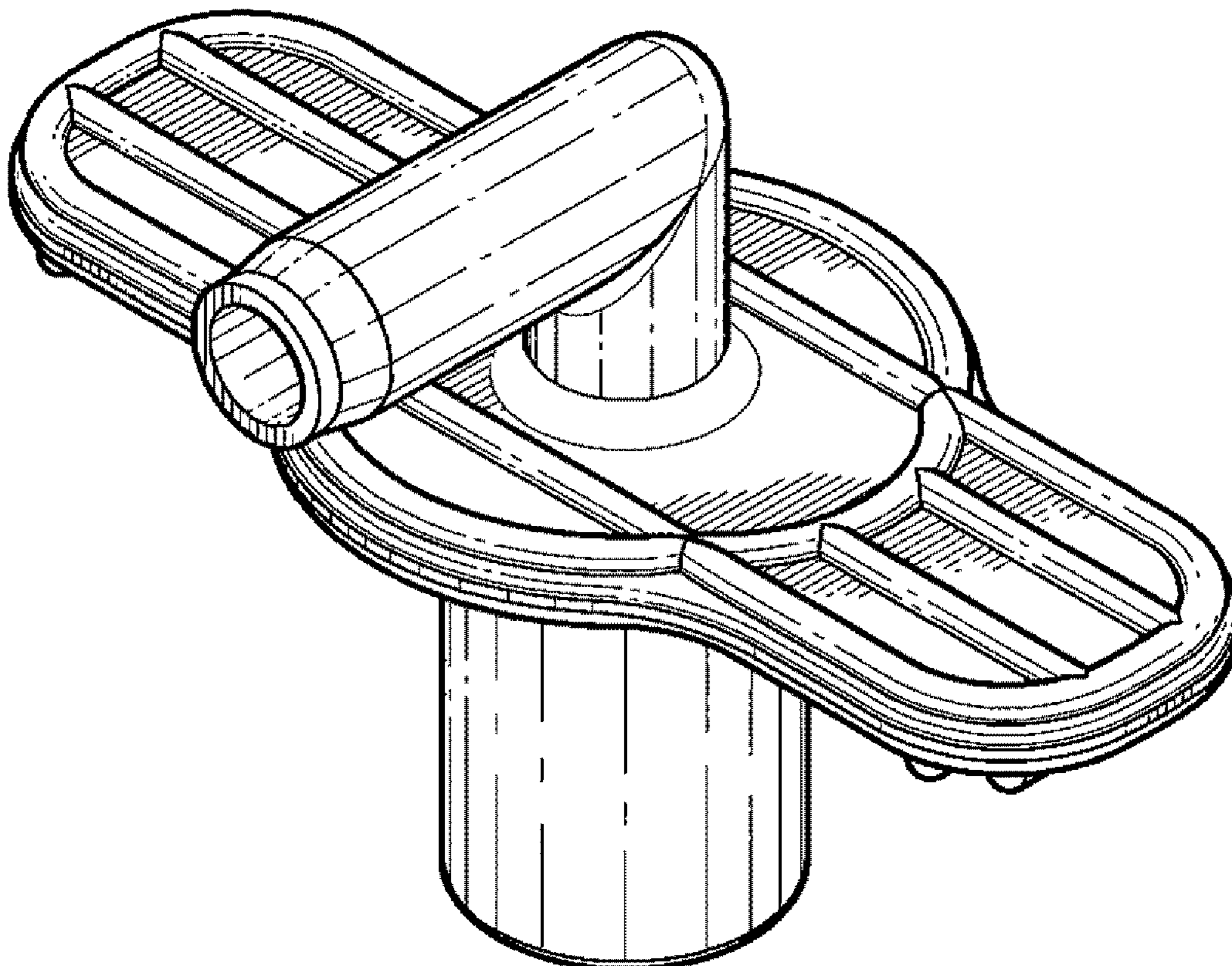
(57) **CLAIM**

The ornamental design for the nozzle for a fitment, substantially as shown and described.

DESCRIPTION

FIG. 1 illustrates a perspective view of a nozzle for a fitment showing our new design;
FIG. 2 illustrates the Top View thereof;
FIG. 3 illustrates the Bottom View thereof;
FIG. 4 illustrates the Left Side View thereof;
FIG. 5 illustrates the Right Side View thereof;
FIG. 6 illustrates the Front Side View thereof; and,
FIG. 7 illustrates the Back View thereof.

1 Claim, 7 Drawing Sheets



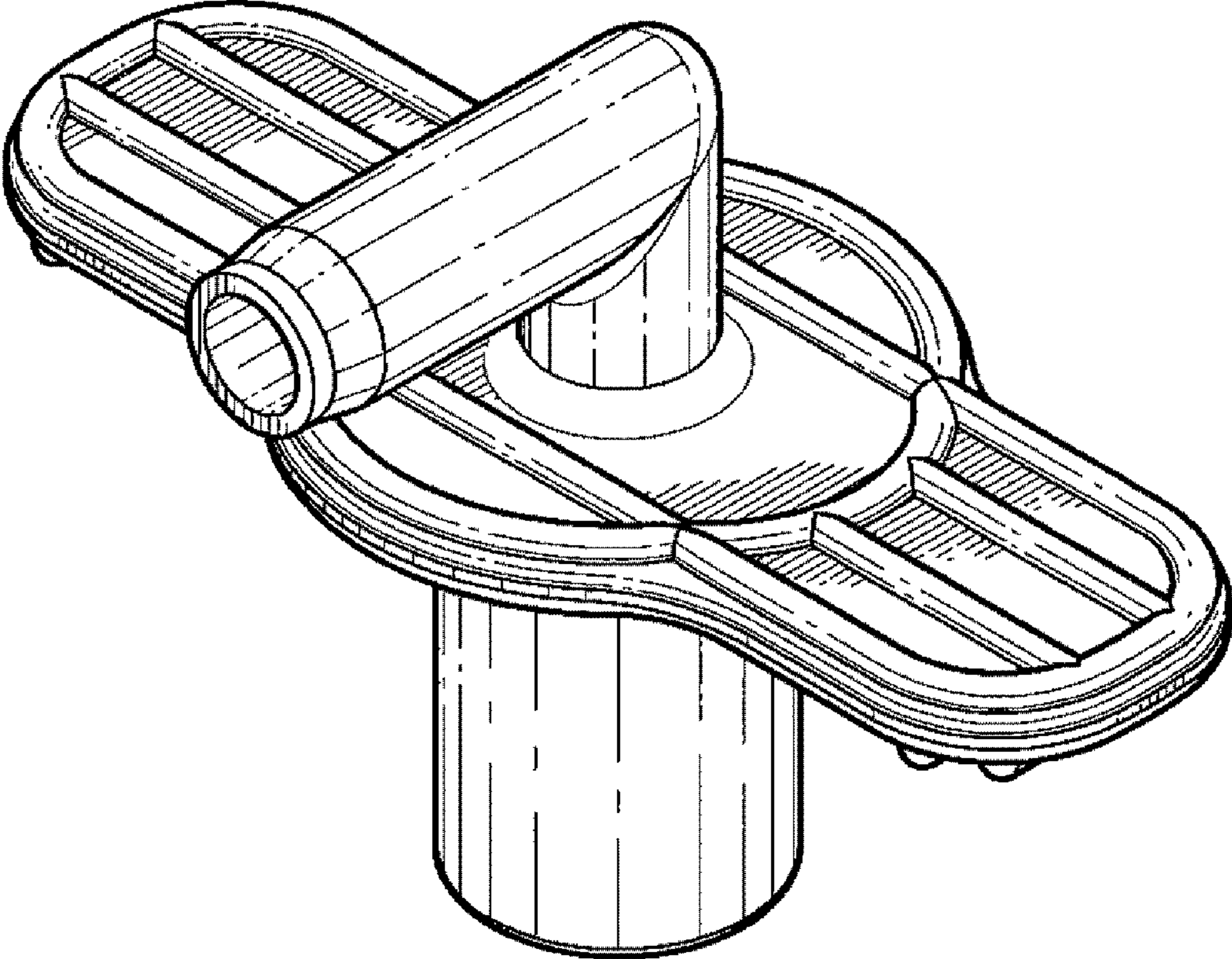


FIG. 1

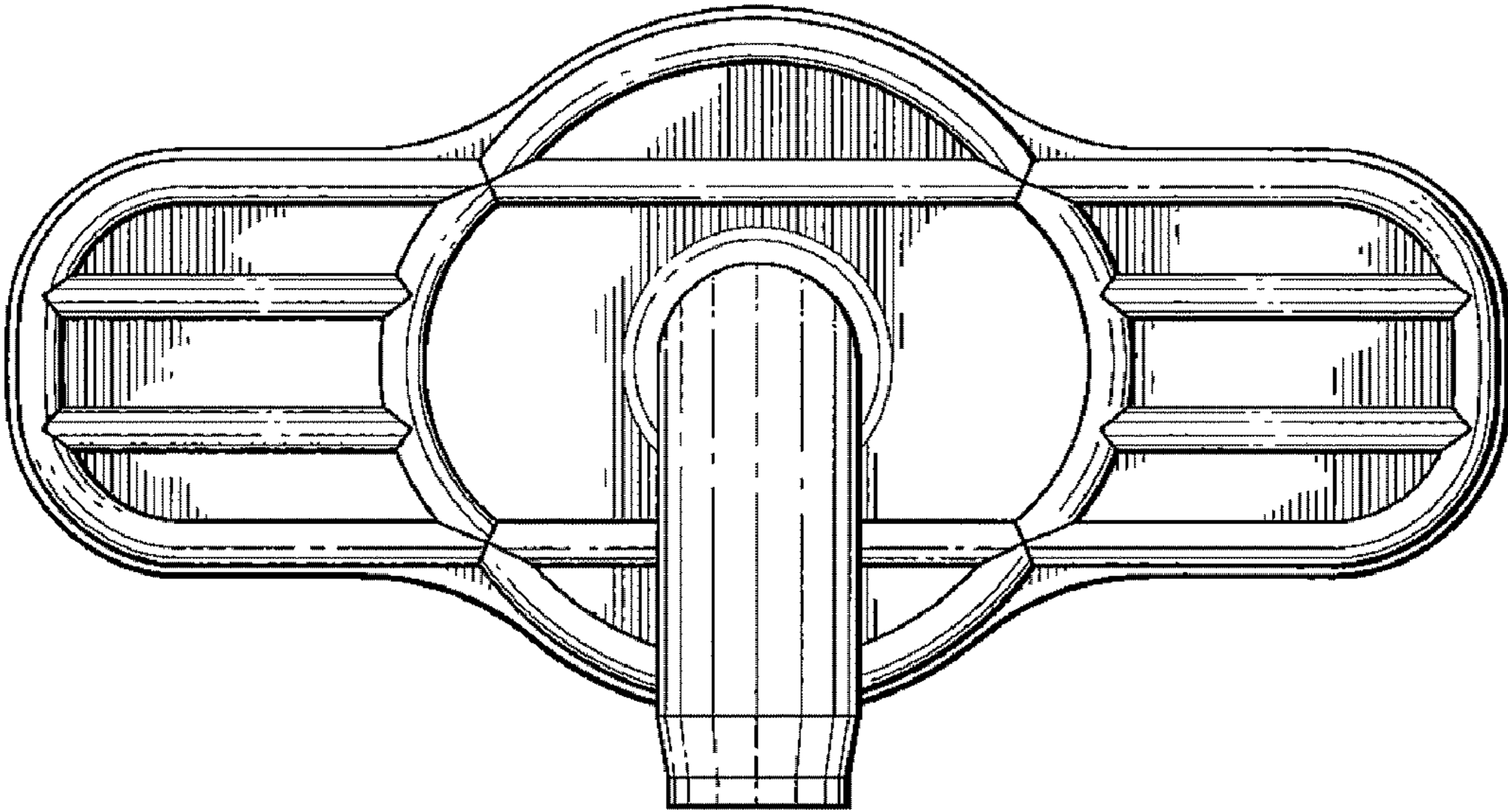


FIG. 2

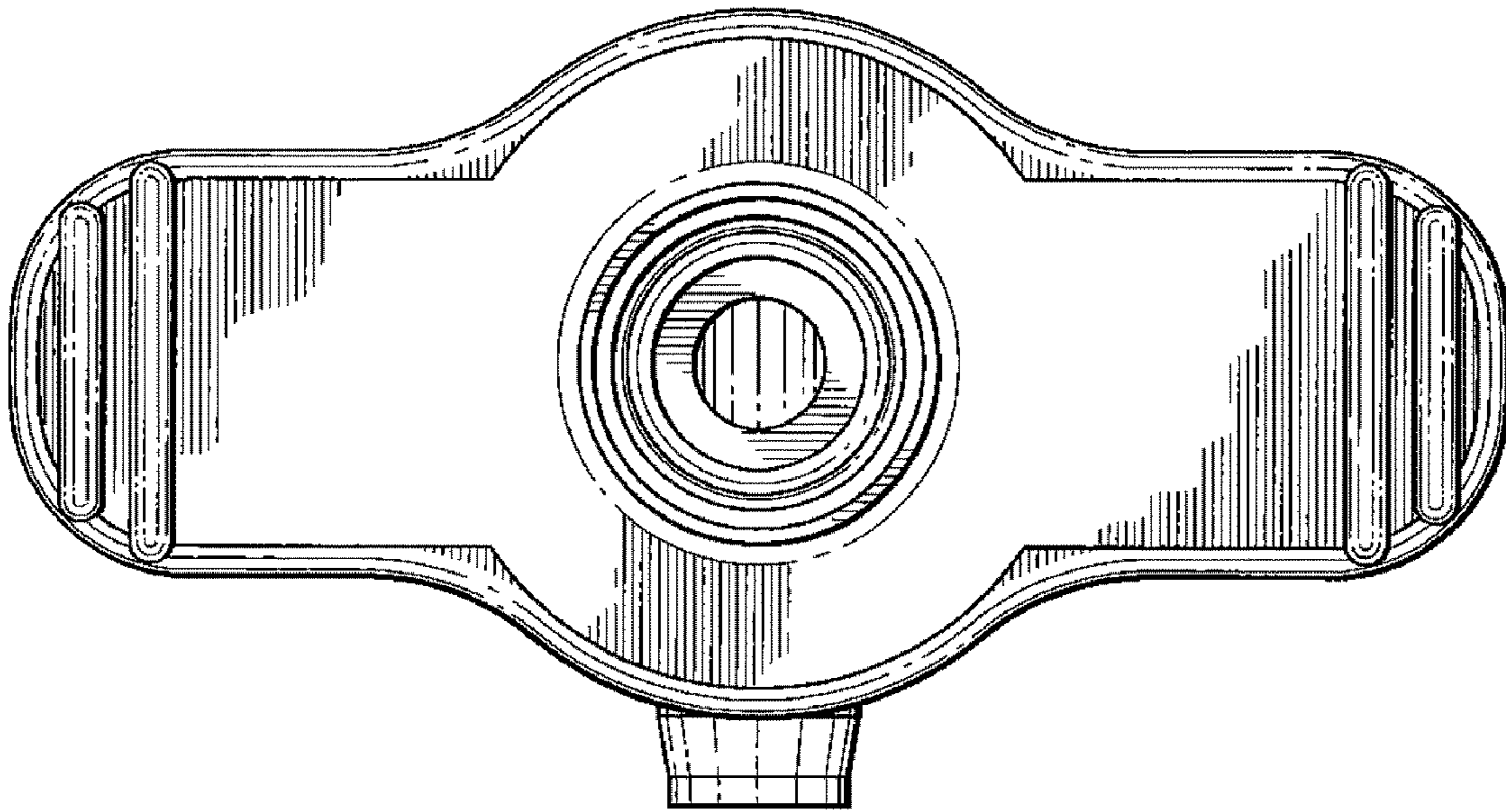


FIG. 3

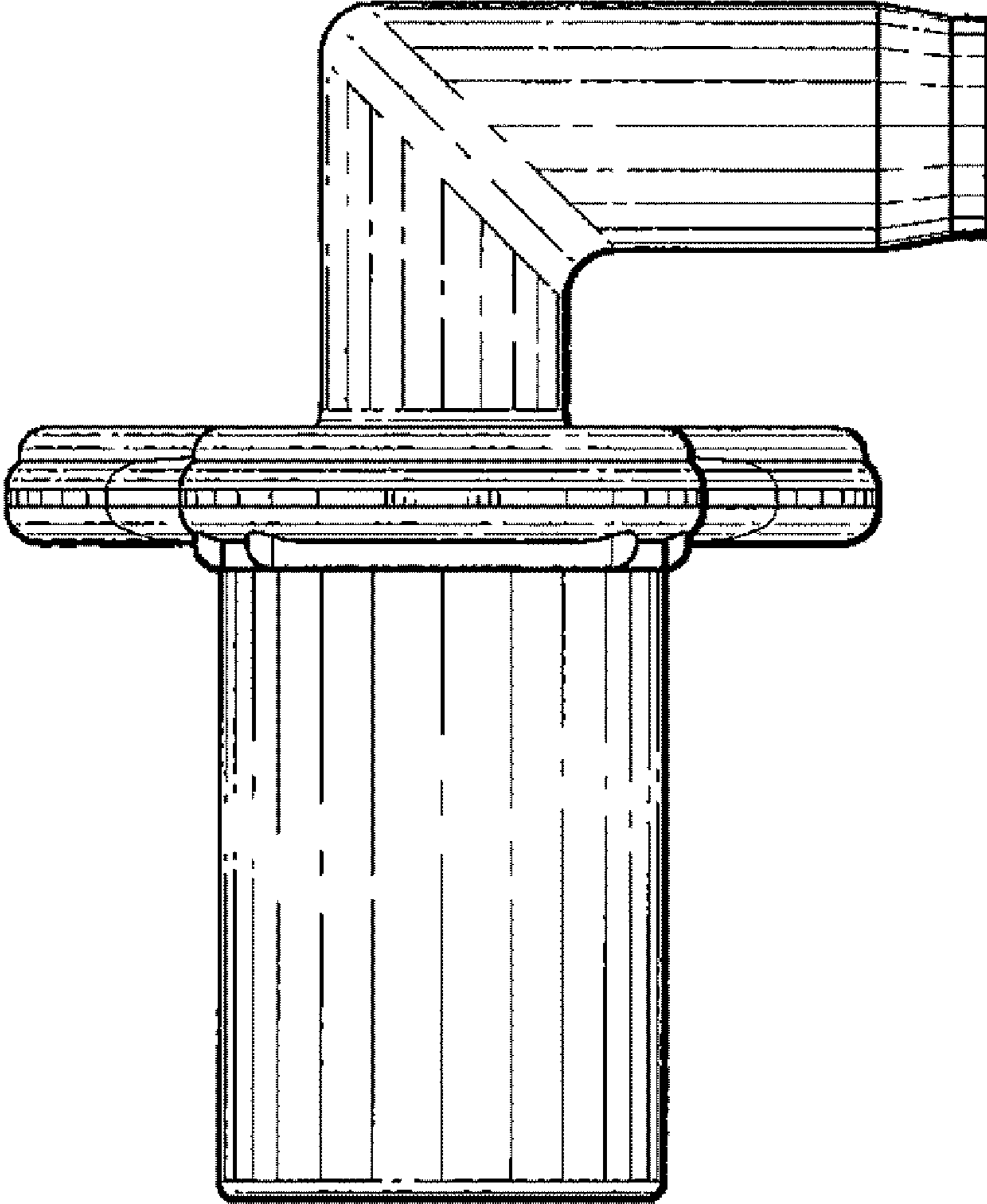


FIG.4

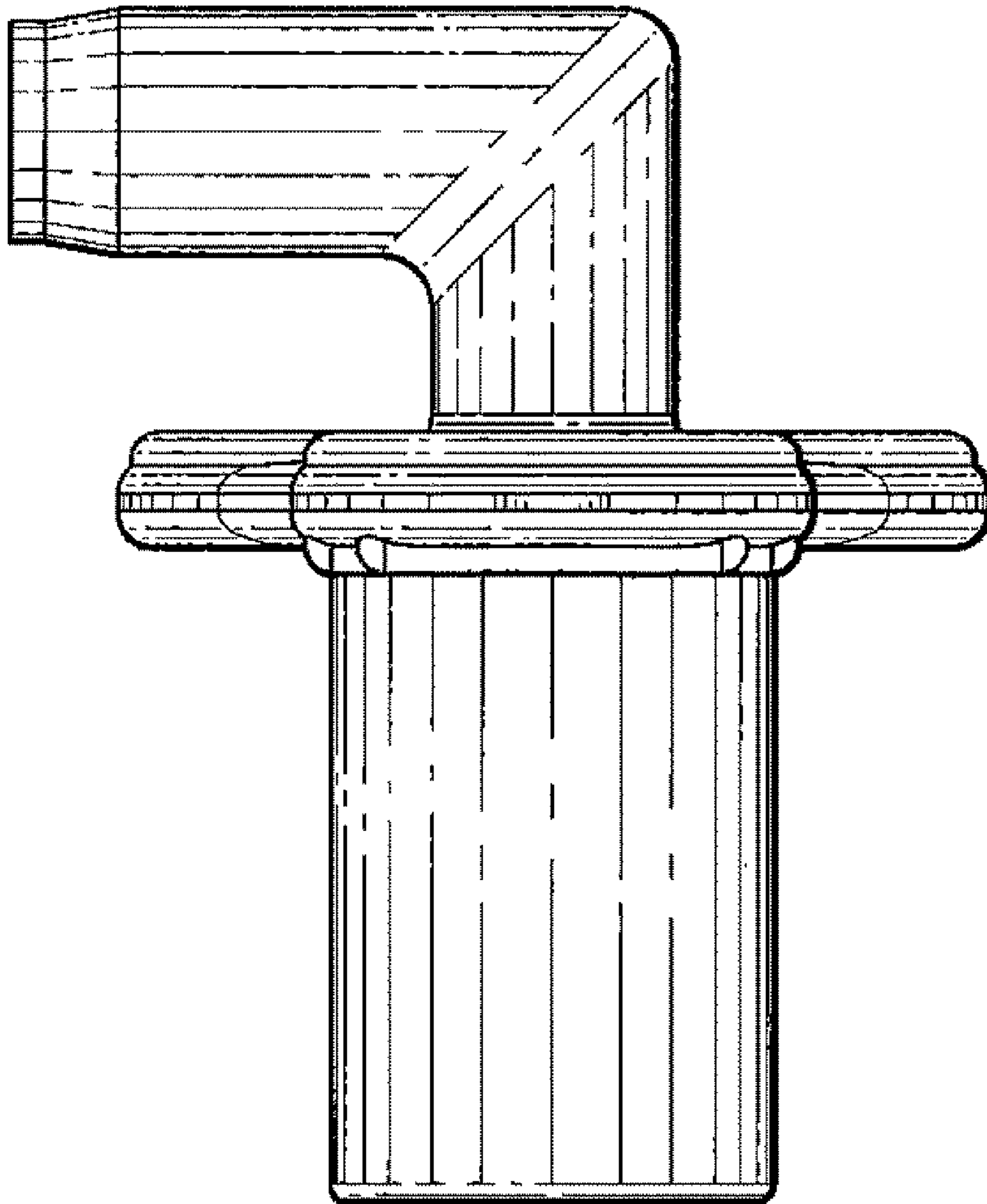


FIG. 5

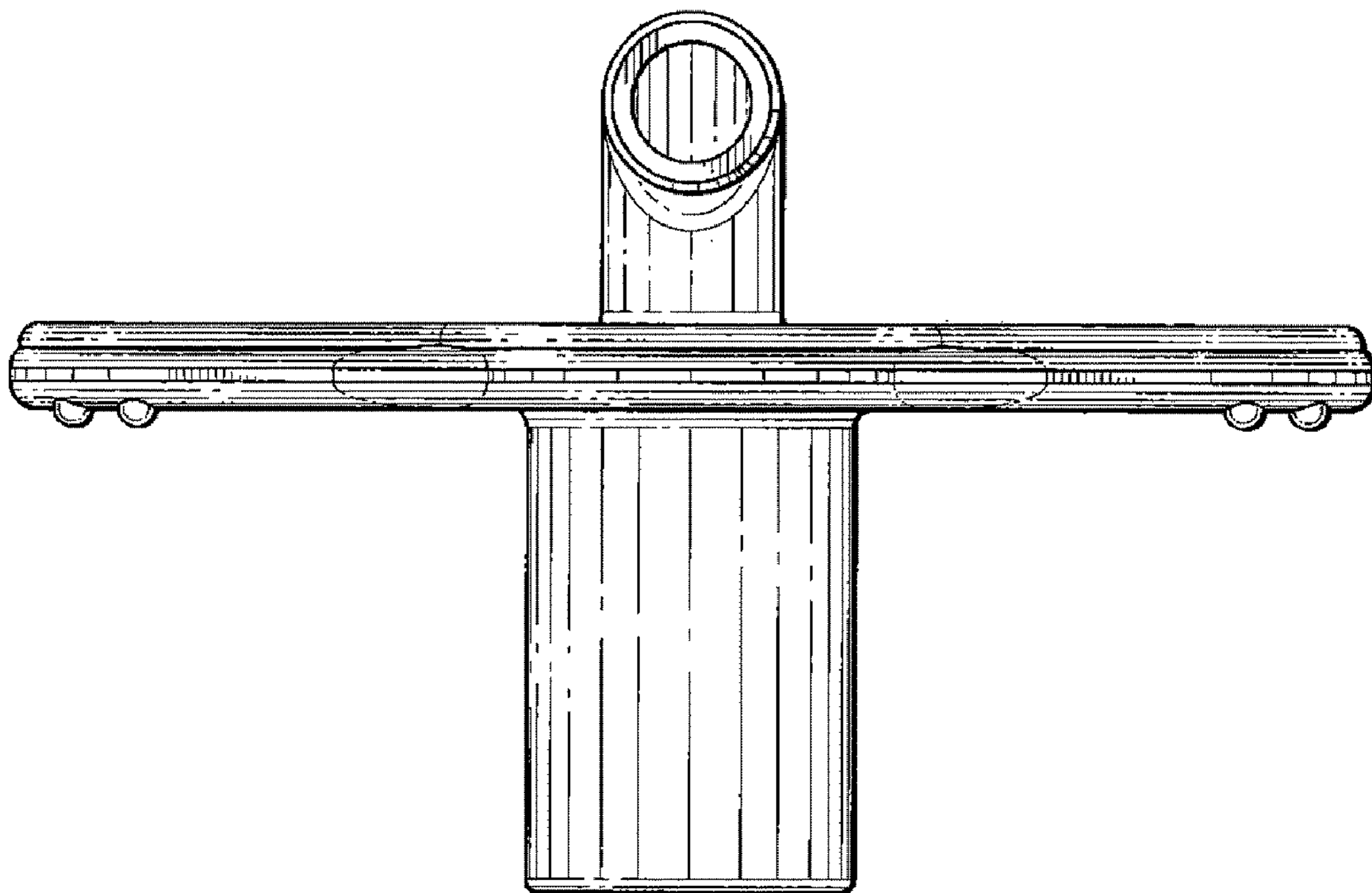


FIG. 6

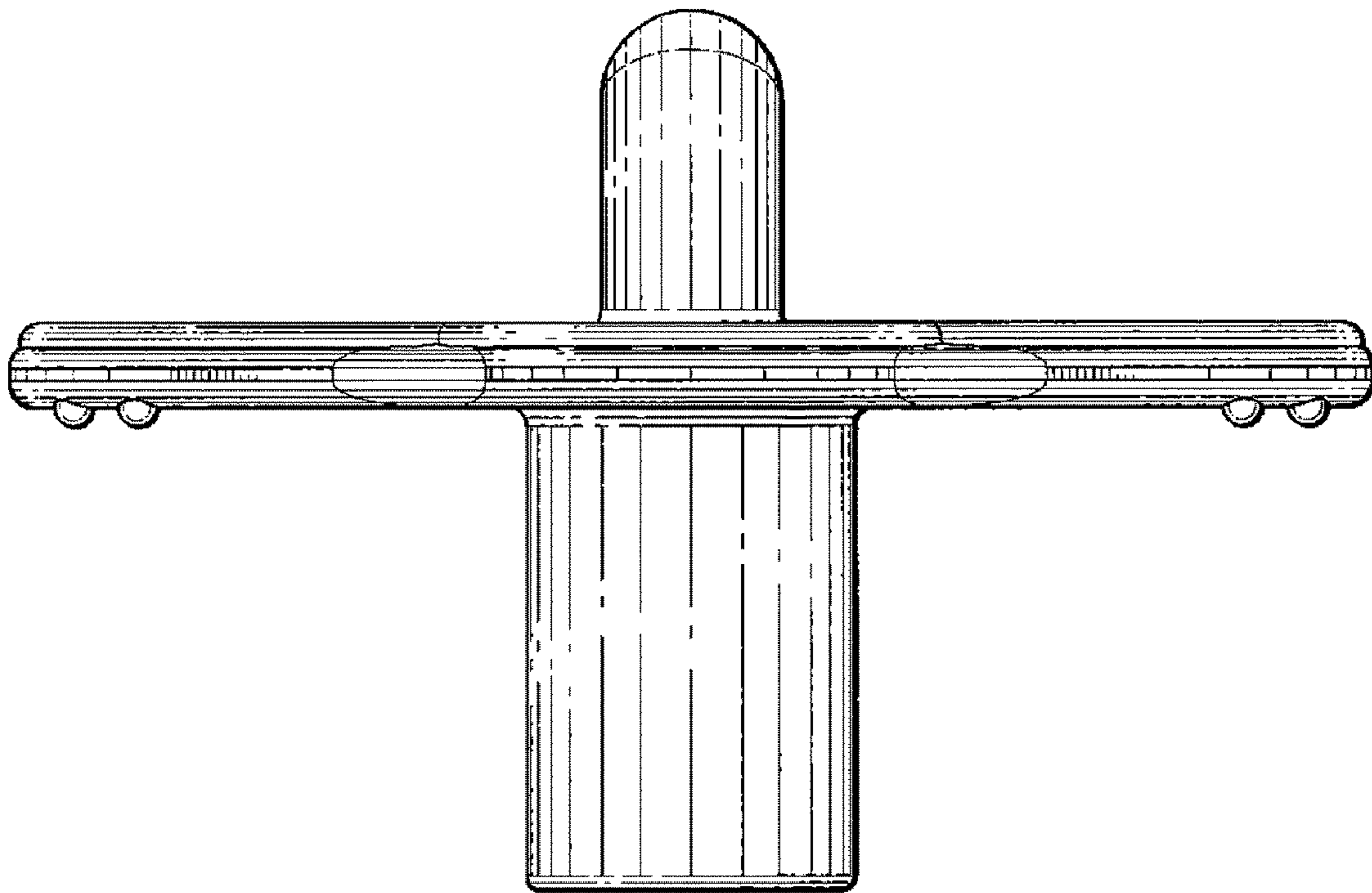


FIG. 7