



US00D651692S

(12) **United States Design Patent**
Vanderheyden et al.

(10) **Patent No.:** **US D651,692 S**
(45) **Date of Patent:** **** Jan. 3, 2012**

(54) **TOILET TRIP LEVER**

(75) Inventors: **Jacob P. Vanderheyden**, Sheboygan, WI (US); **Nicholas Paterson**, Whitefish Bay, WI (US)

(73) Assignee: **Kohler Co.**, Kohler, WI (US)

(**) Term: **14 Years**

(21) Appl. No.: **29/385,775**

(22) Filed: **Feb. 18, 2011**

(51) **LOC (9) Cl.** **23-01**

(52) **U.S. Cl.** **D23/252**

(58) **Field of Classification Search** D23/250, D23/252, 254, 238-243; 4/676-677; 137/801
See application file for complete search history.

(56) **References Cited**

U.S. PATENT DOCUMENTS

D587,345 S * 2/2009 Montgomery et al. D23/254
D598,983 S * 8/2009 Shieh D23/252

* cited by examiner

Primary Examiner — Robert Delehanty

(74) *Attorney, Agent, or Firm* — Foley & Lardner LLP

(57) **CLAIM**

We claim the ornamental design for a toilet trip lever, as shown and described.

DESCRIPTION

FIG. 1 is a top perspective view of an embodiment of the claimed design;

FIG. 2 is a front elevation view of the claimed design of FIG. 1;

FIG. 3 is a left-side elevation view of the claimed design of FIG. 1;

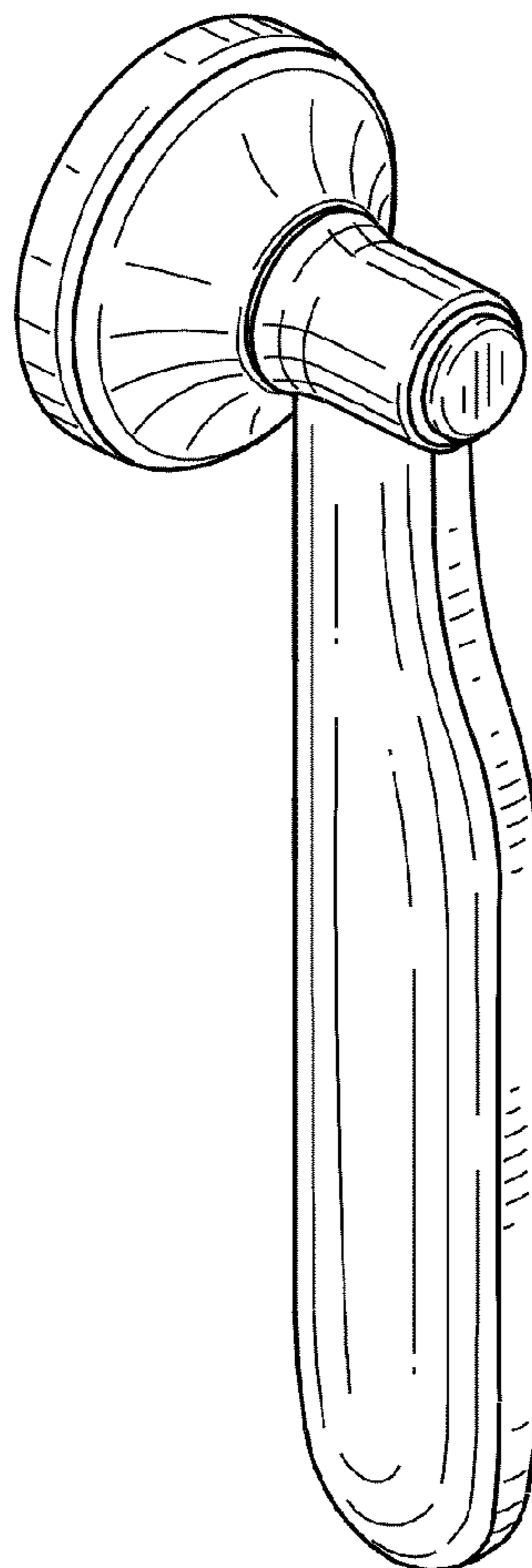
FIG. 4 is a top plan view of the claimed design of FIG. 1;

FIG. 5 is a bottom plan view of the claimed design of FIG. 1; and,

FIG. 6 is a rear elevation view of the claimed design of FIG. 1.

The ornamental design which is claimed is shown in solid lines in the drawings. The broken lines in the drawings are for illustrative purposes only and form no part of the claimed design.

1 Claim, 3 Drawing Sheets



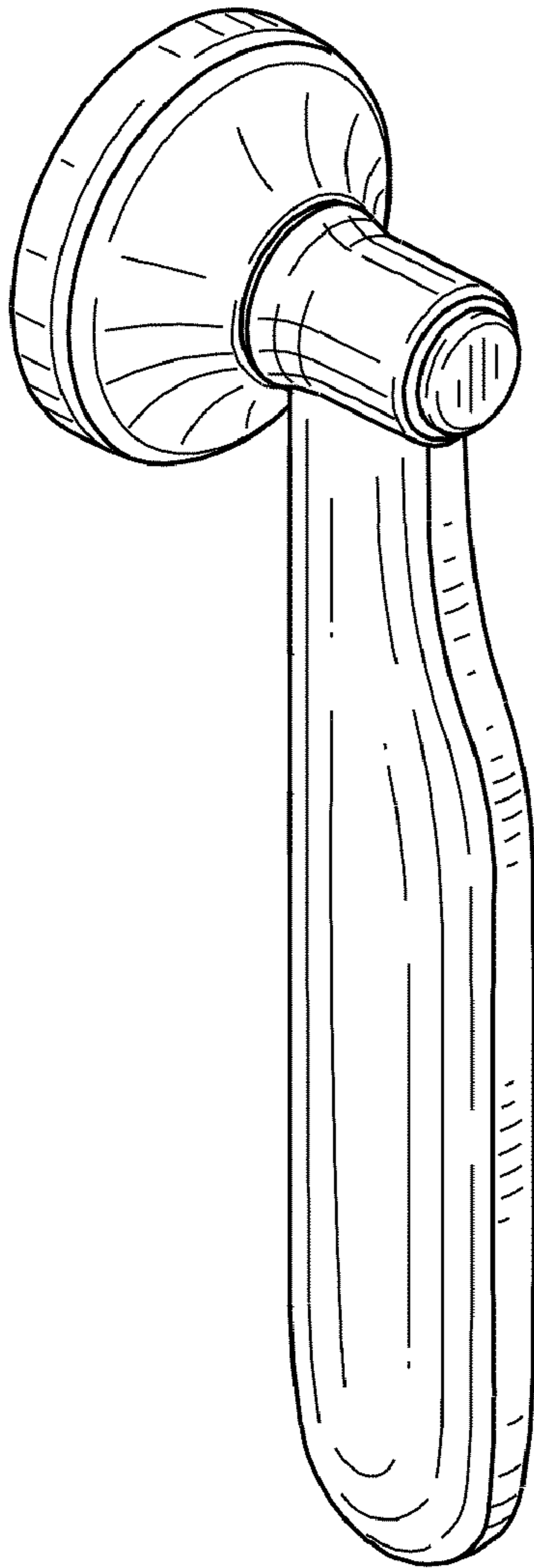


FIG. 1

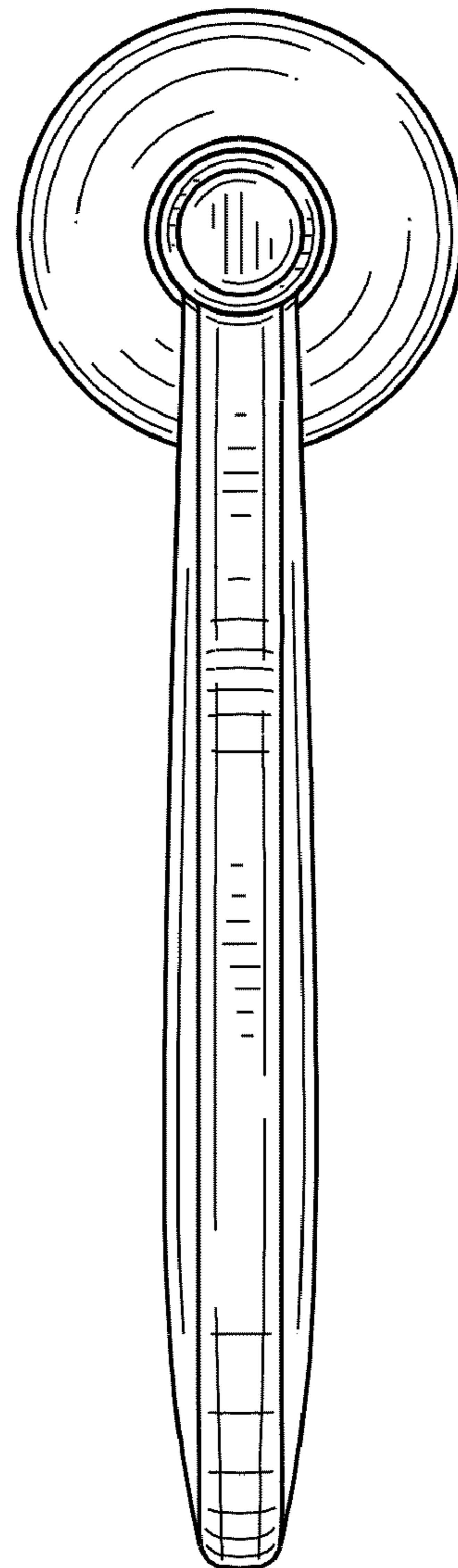


FIG. 2



FIG. 3

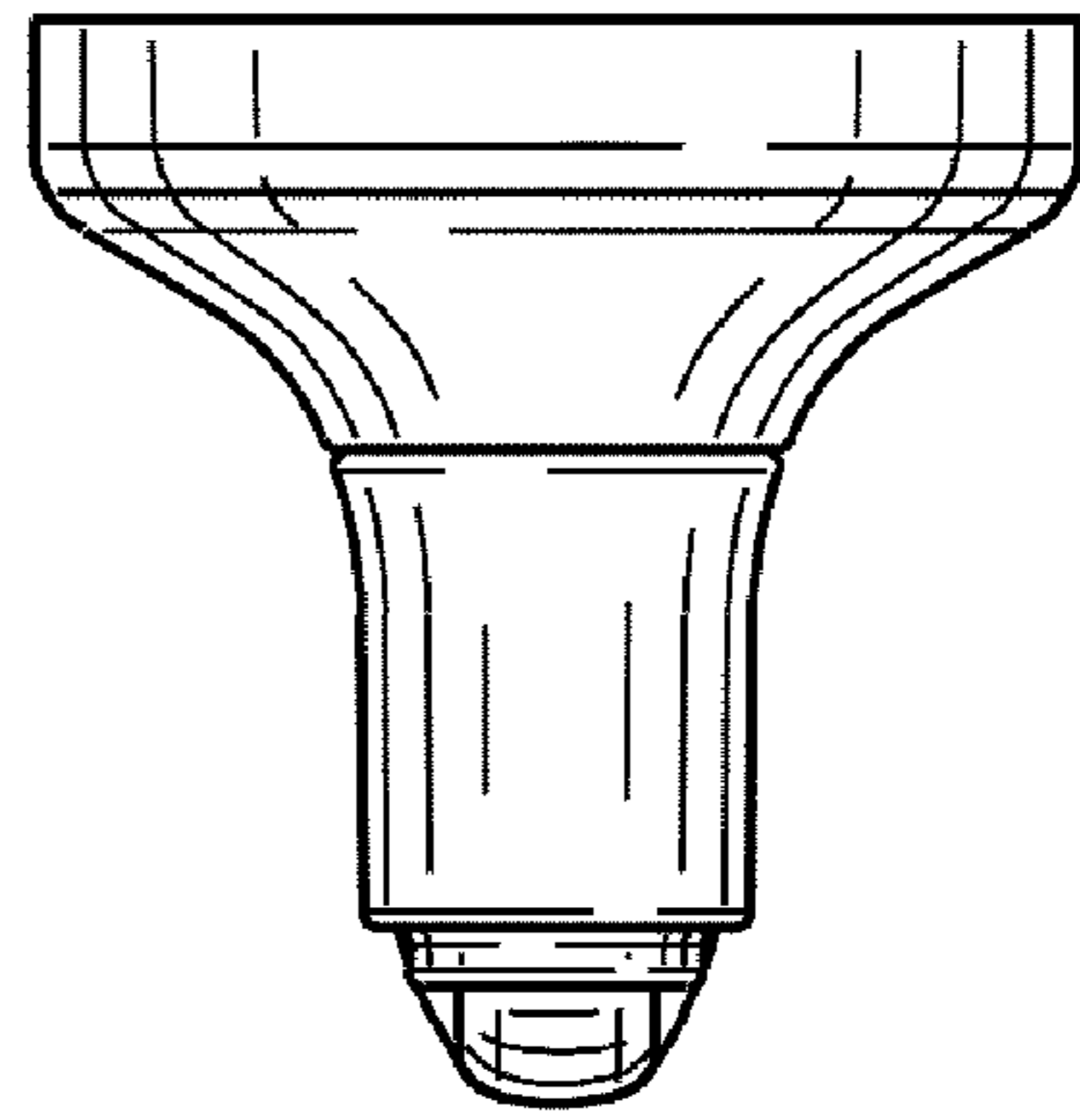


FIG. 4

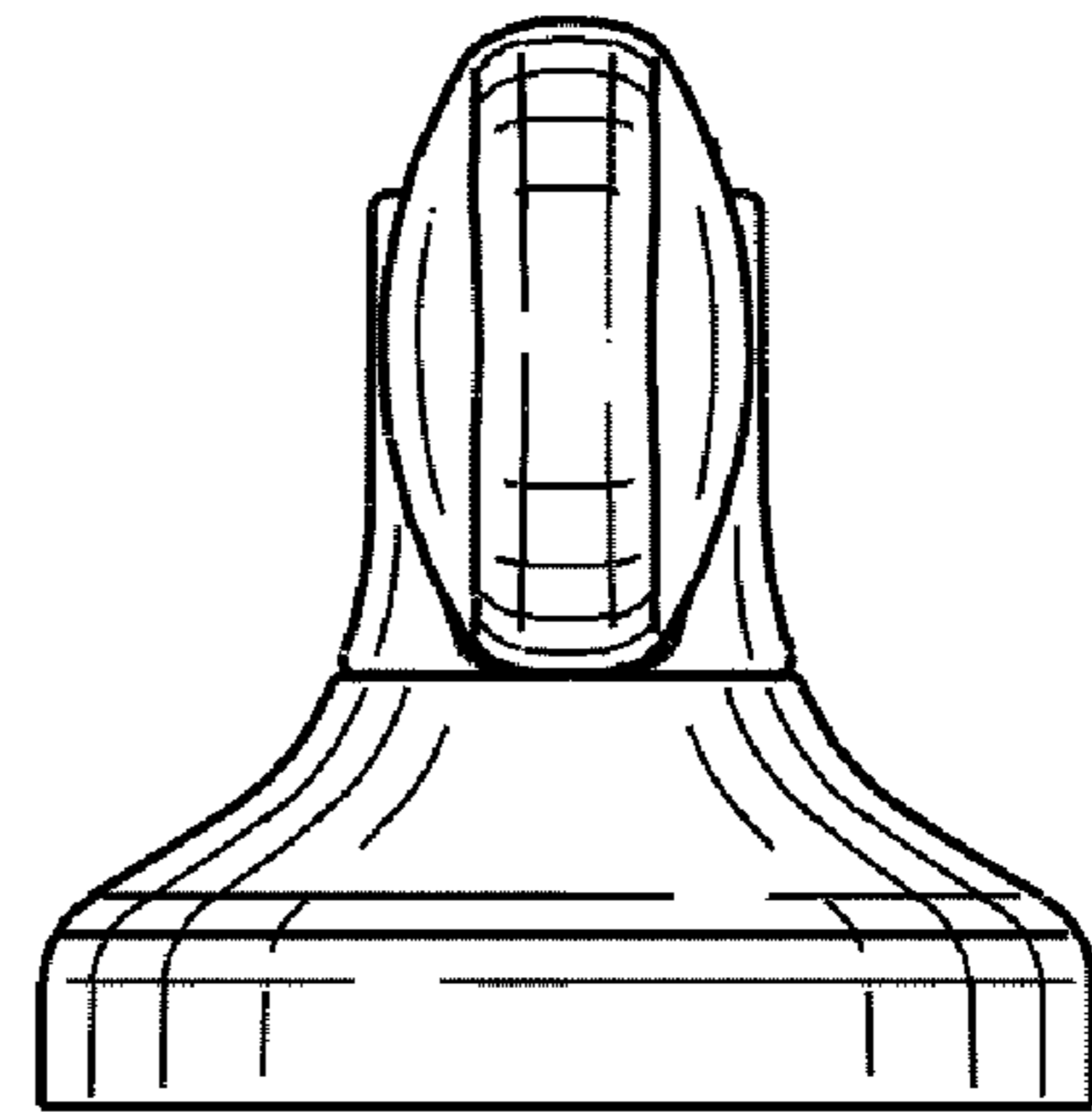


FIG. 5

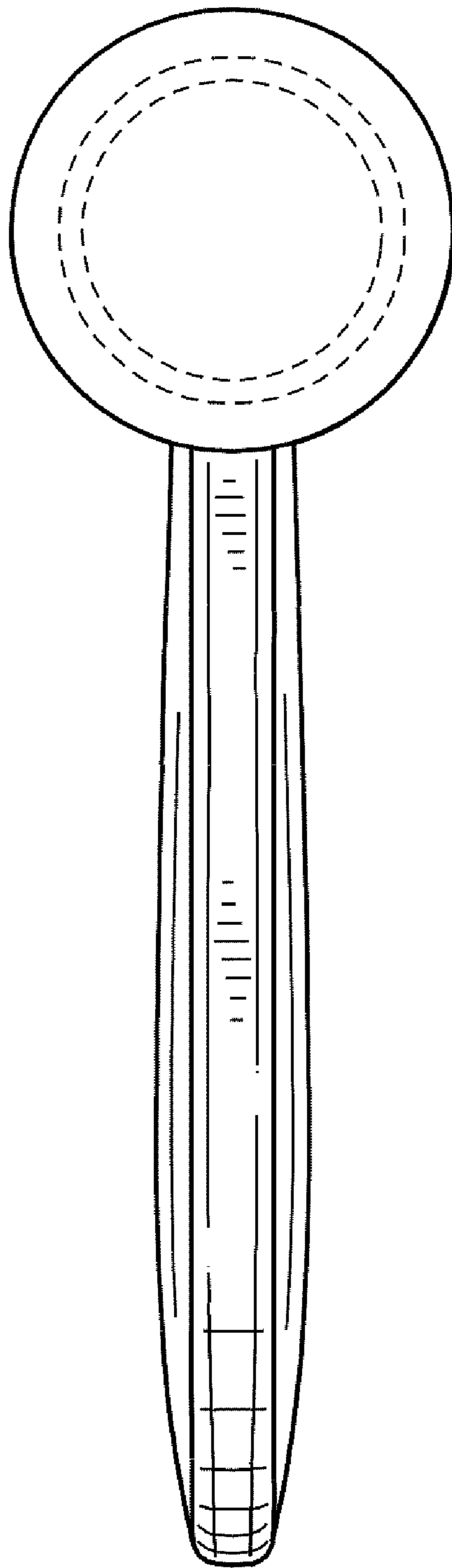


FIG. 6