



US00D651691S

(12) **United States Design Patent**
Muetzel et al.

(10) **Patent No.:** **US D651,691 S**

(45) **Date of Patent:** **** Jan. 3, 2012**

(54) **AIRLESS FINE FINISH PAINT SPRAYER**

(56) **References Cited**

(75) Inventors: **Pamela J. Muetzel**, Otsego, MN (US);
Robert W. Kinne, Minneapolis, MN
(US); **Dale C. Pemberton**, Big Lake,
MN (US); **Bradley H Hines**, Andover,
MN (US)

U.S. PATENT DOCUMENTS

D519,603 S * 4/2006 Schumann et al. D23/225
D609,778 S * 2/2010 Woodgate D23/225
D630,708 S 1/2011 Blenkush et al.
D633,176 S 2/2011 Blenkush et al.

* cited by examiner

(73) Assignee: **Graco Minnesota Inc.**, Minneapolis,
MN (US)

Primary Examiner — Robin V Webster

(74) *Attorney, Agent, or Firm* — Douglas B. Farrow

(**) Term: **14 Years**

(57) **CLAIM**

The ornamental design for an airless fine finish paint sprayer,
as shown and described.

(21) Appl. No.: **29/383,580**

DESCRIPTION

(22) Filed: **Jan. 19, 2011**

(51) **LOC (9) Cl.** **23-01**

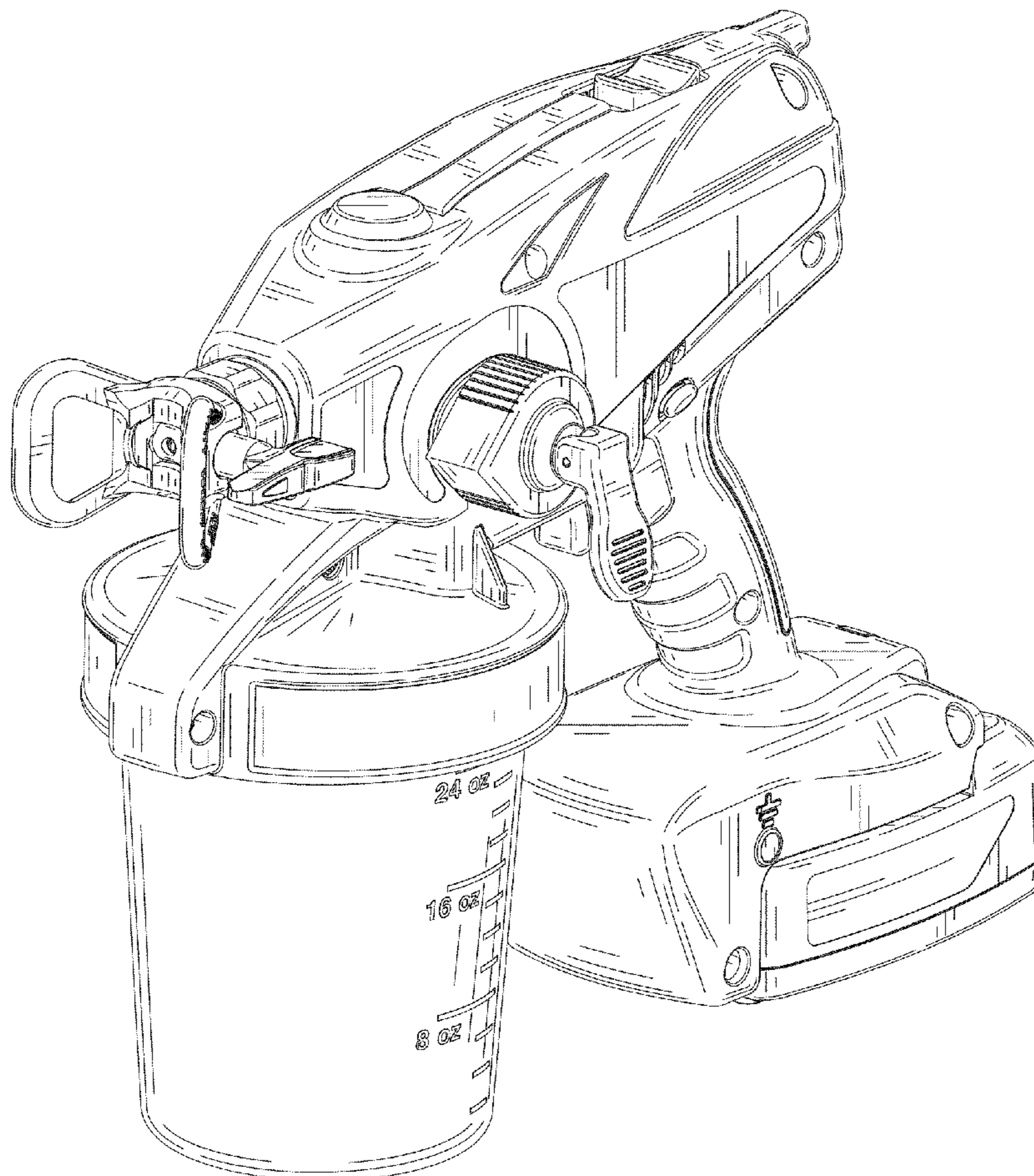
(52) **U.S. Cl.** **D23/225**

(58) **Field of Classification Search** D23/213,
D23/223, 225; 239/302, 316, 317, 332, 333

FIG. 1 is a front view of the airless fine finish paint sprayer;
FIG. 2 is a top view thereof;
FIG. 3 is a right side view thereof,
FIG. 4 is a bottom view thereof;
FIG. 5 is a rear view thereof;
FIG. 6 is a left side view thereof;
FIG. 7 is a front left isometric view thereof; and,
FIG. 8 is a front right isometric view thereof.

See application file for complete search history.

1 Claim, 8 Drawing Sheets



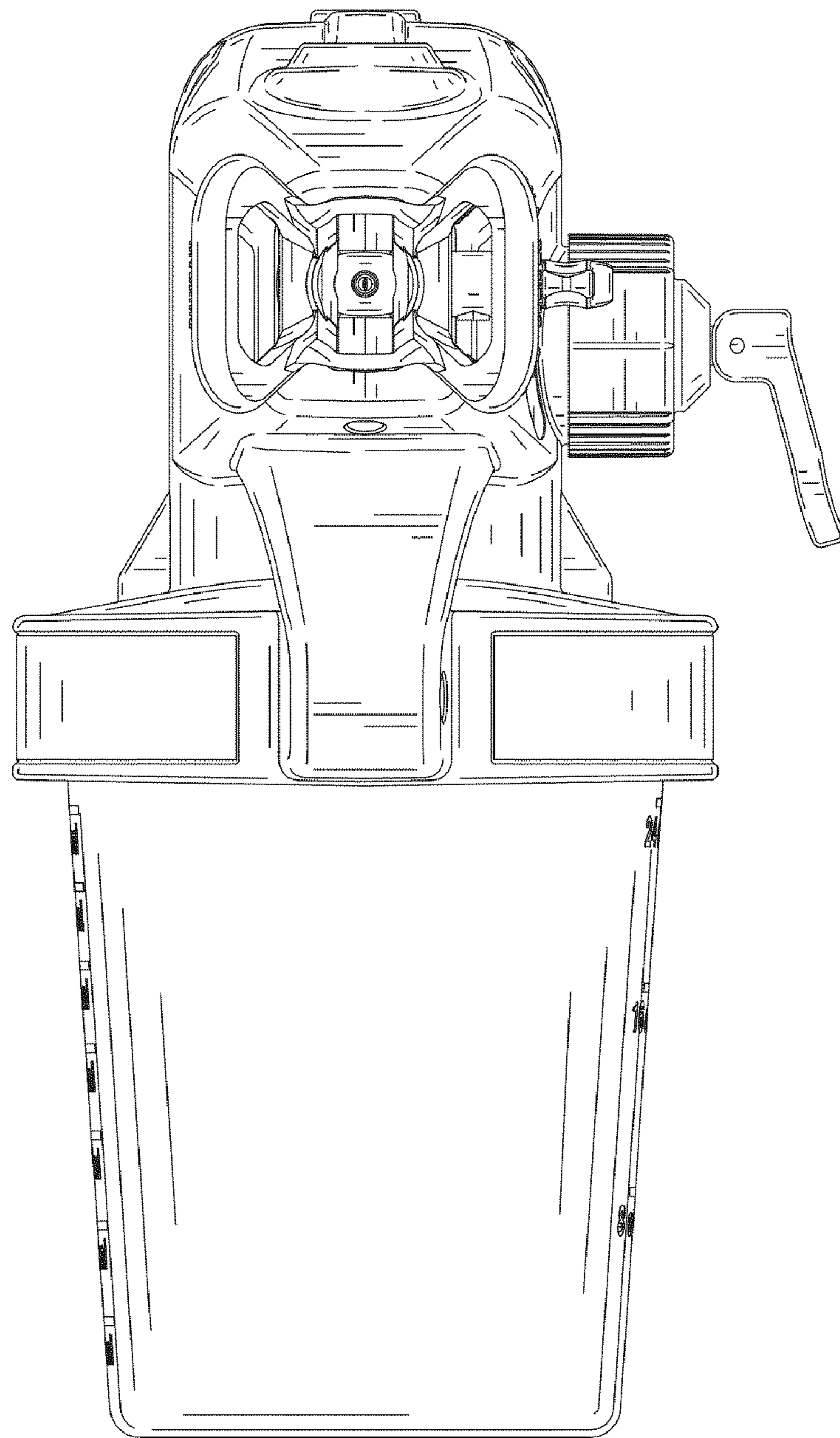


FIG. 1

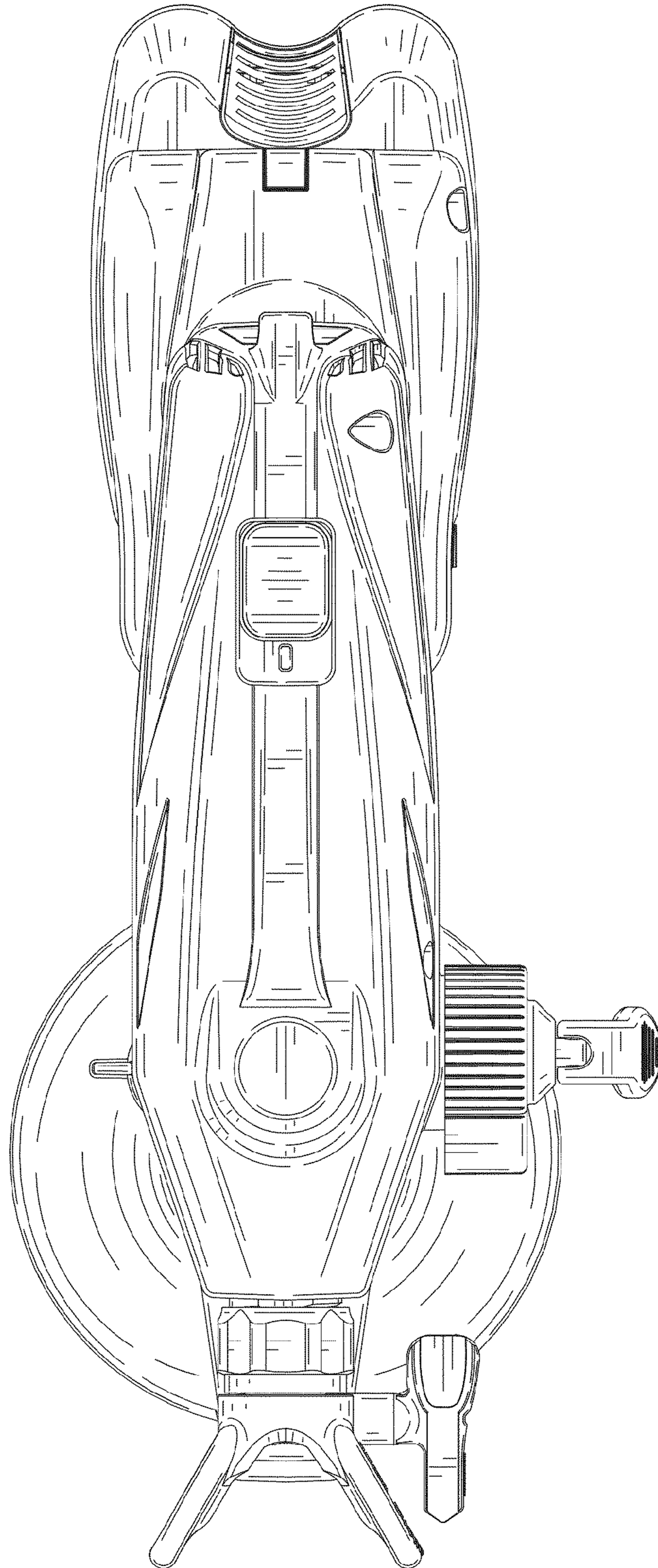


FIG. 2

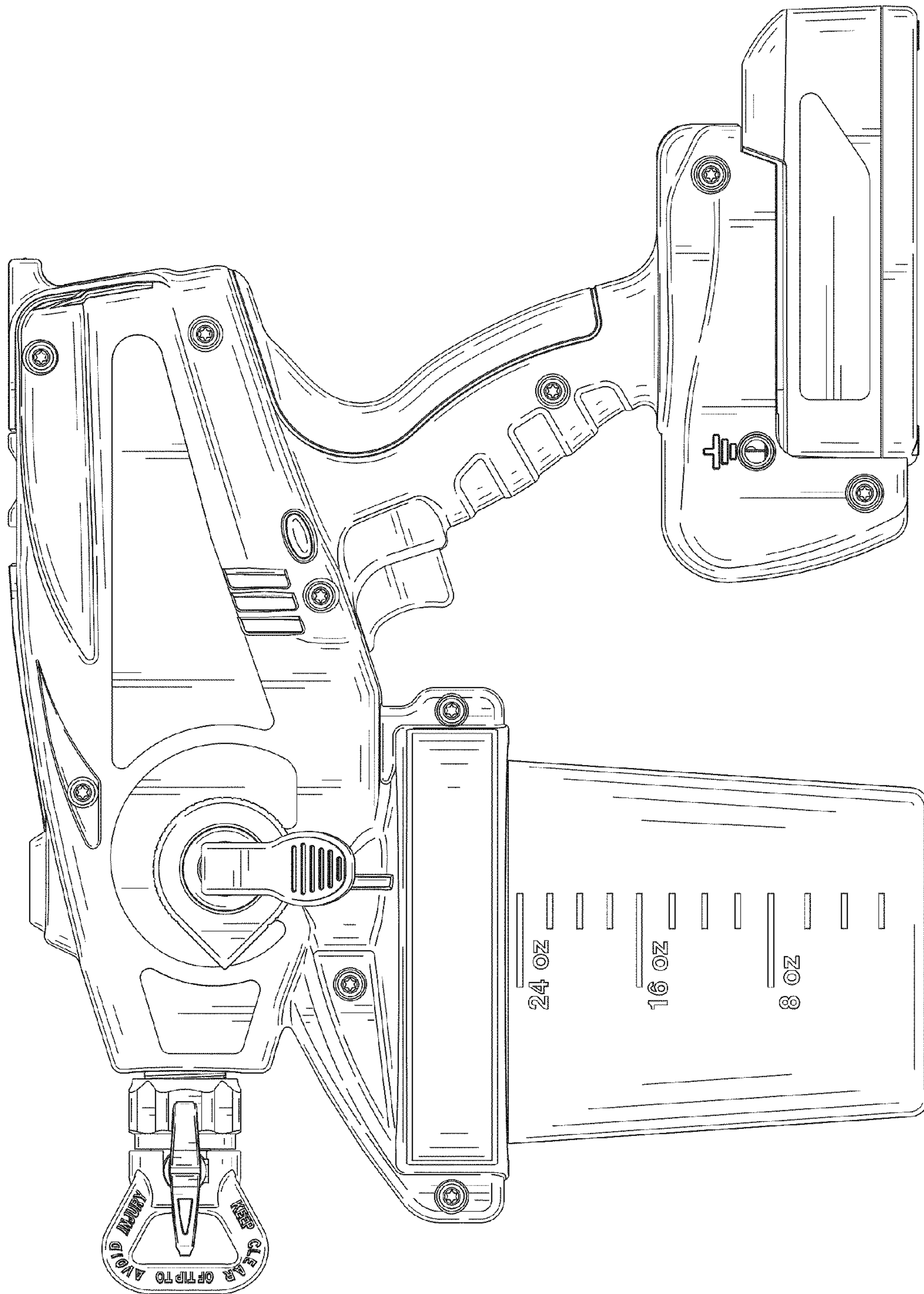


FIG. 3

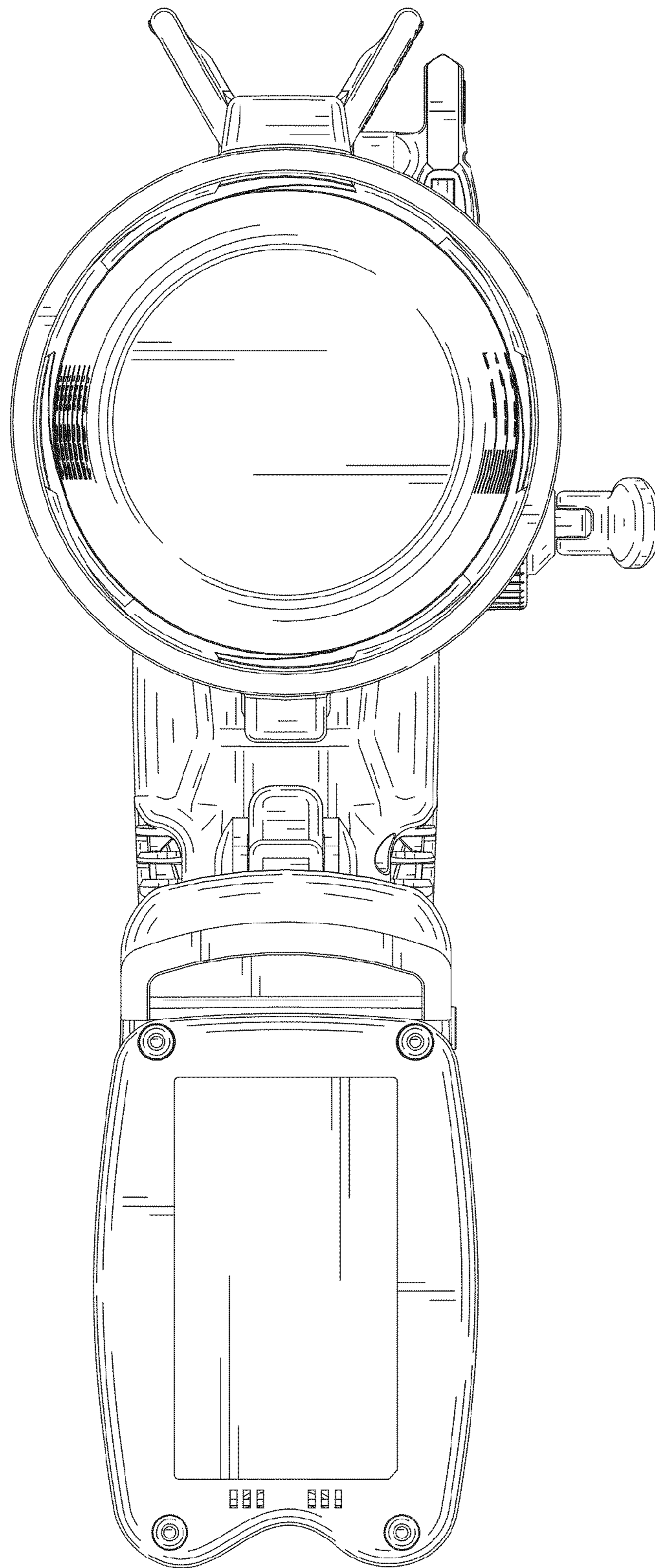


FIG. 4

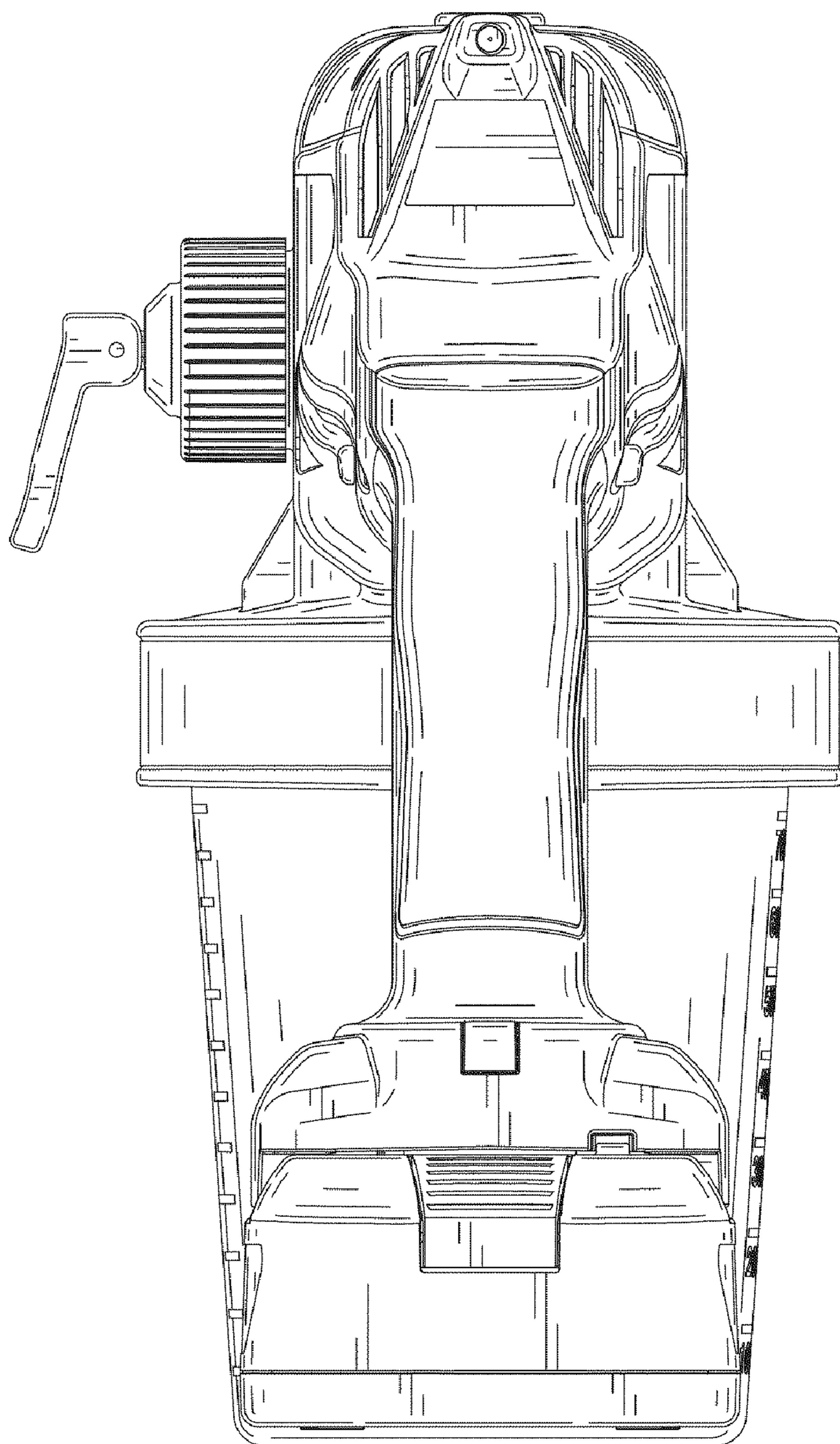


FIG. 5

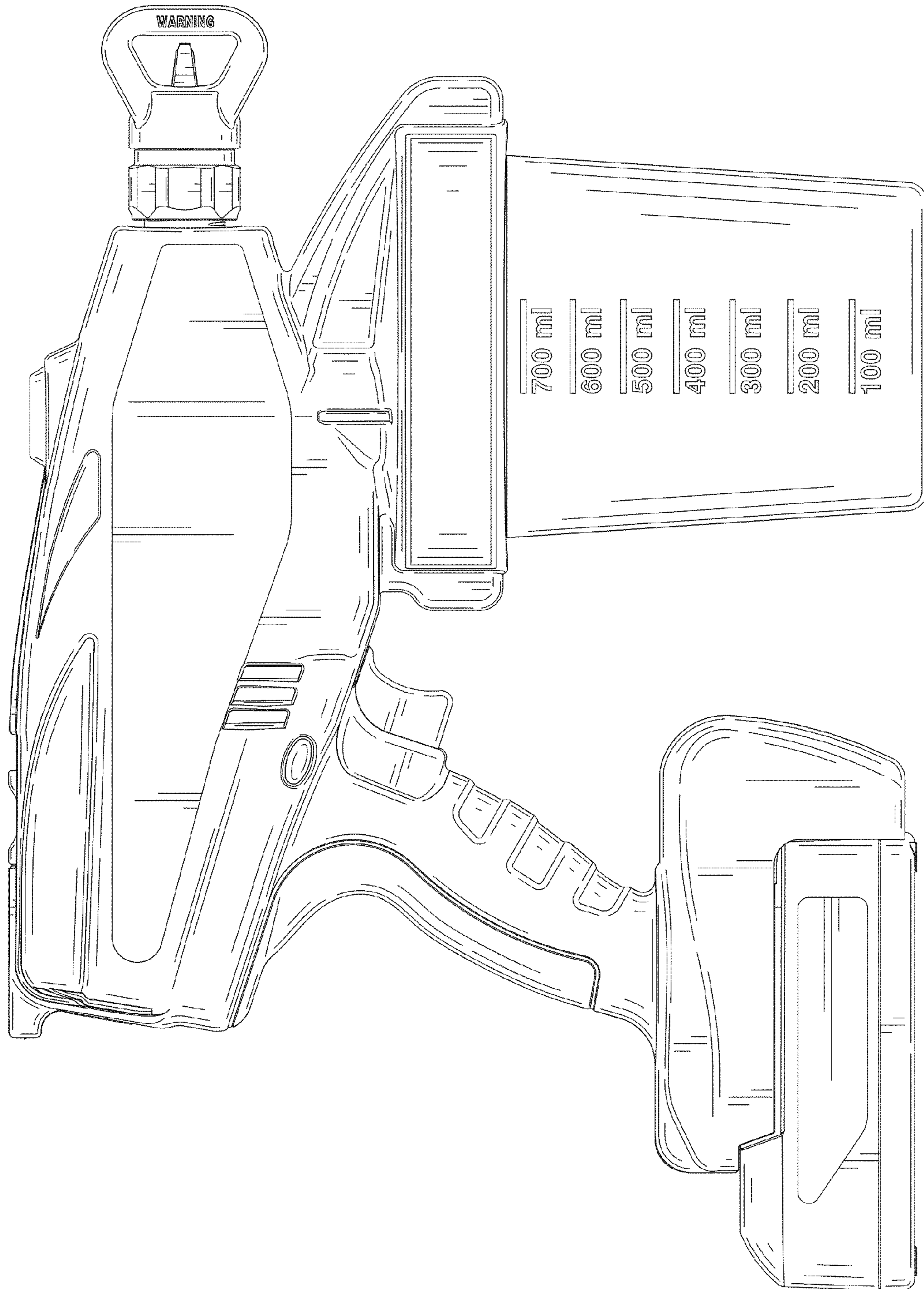


FIG. 6

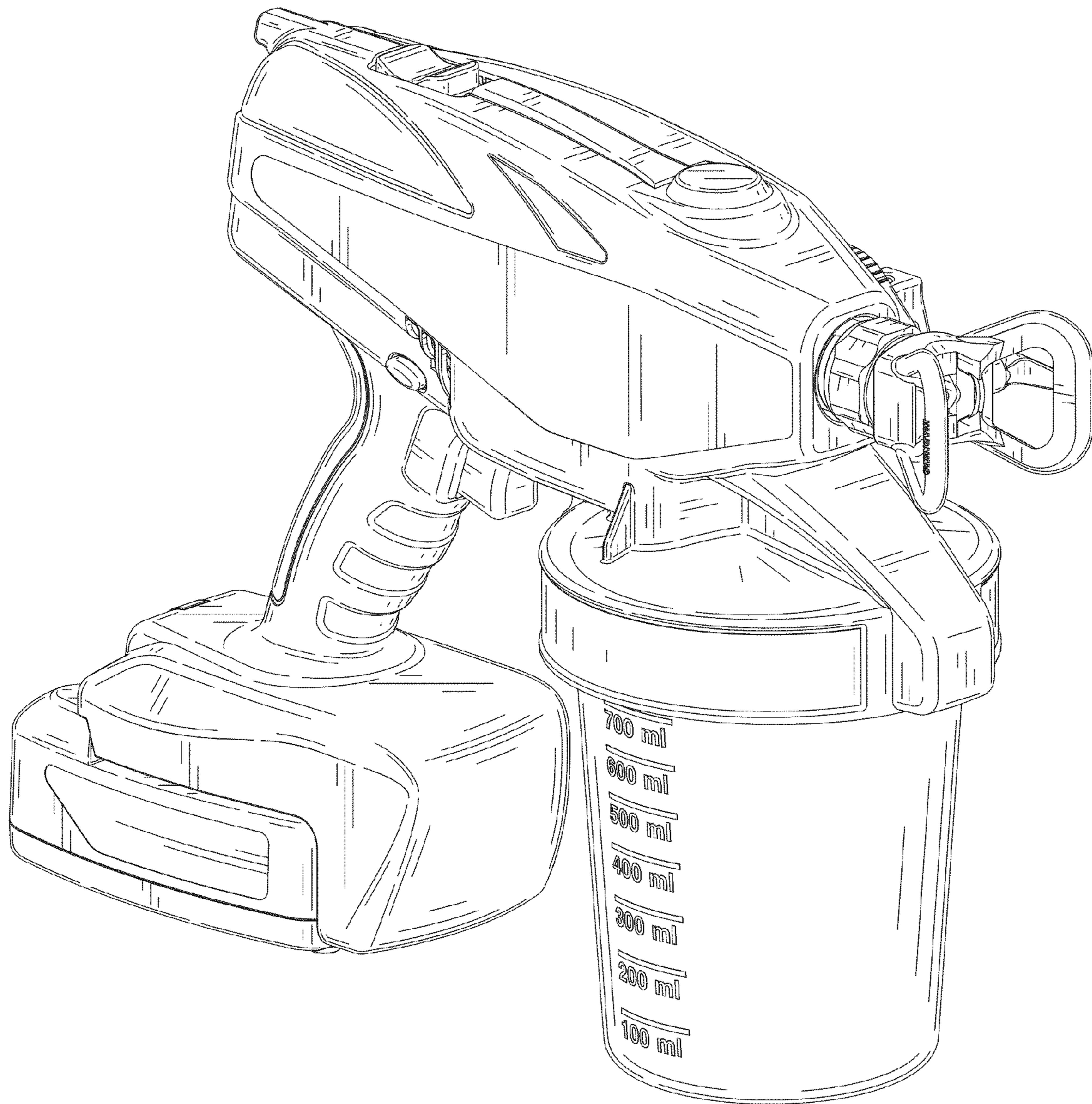


FIG. 7

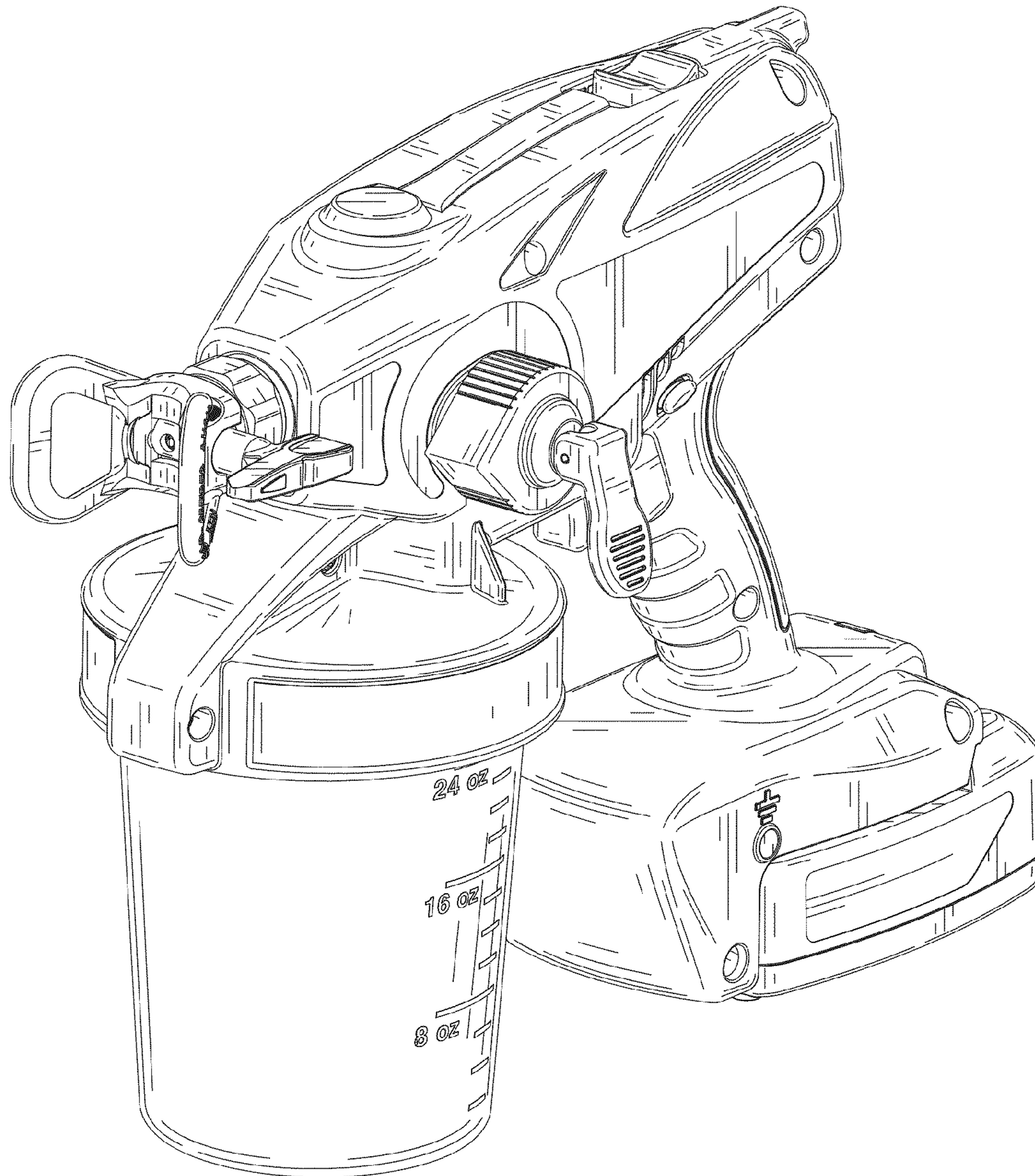


FIG. 8