



US00D651689S

(12) **United States Design Patent**
Chou

(10) **Patent No.:** **US D651,689 S**
(45) **Date of Patent:** **** Jan. 3, 2012**

(54) **MINI AIR SPRAY GUN BODY**

(76) Inventor: **Wu-Chiao Chou**, Taichung (TW)

(**) Term: **14 Years**

(21) Appl. No.: **29/393,116**

(22) Filed: **May 31, 2011**

(51) **LOC (9) Cl.** **23-01**

(52) **U.S. Cl.** **D23/213**

(58) **Field of Classification Search** D23/213,
D23/223, 226, 233; 239/290, 291, 525, 526,
239/569, DIG. 22

See application file for complete search history.

(56) **References Cited**

U.S. PATENT DOCUMENTS

D241,463 S *	9/1976	Ashworth	D15/126
D613,372 S *	4/2010	Zore	D23/233
D613,373 S *	4/2010	Zore	D23/233
7,703,702 B2 *	4/2010	Strong	239/296

* cited by examiner

Primary Examiner — Robin V Webster

(74) *Attorney, Agent, or Firm* — WPAT, P.C.; Anthony King

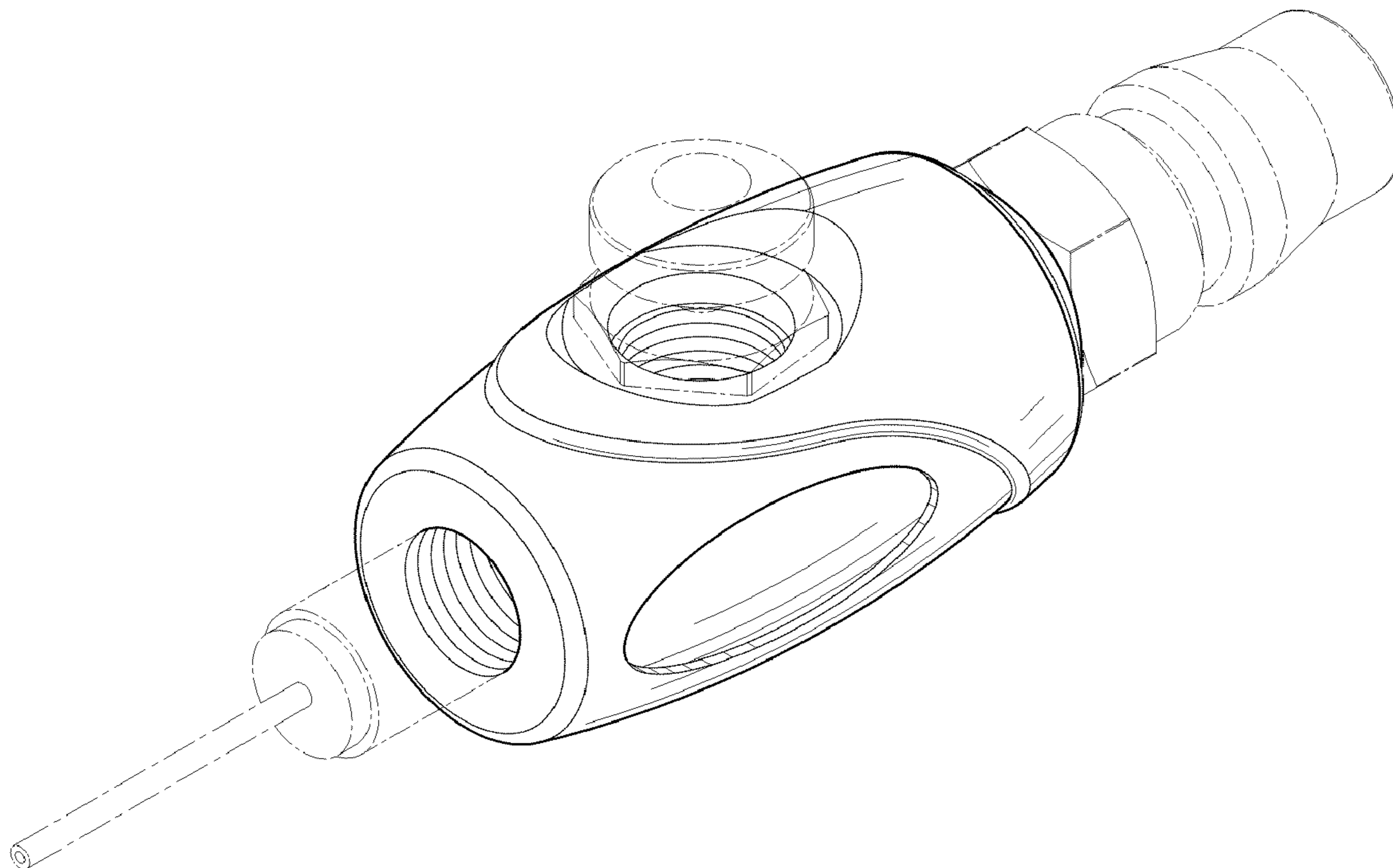
(57) **CLAIM**

I claim, the ornamental design for a mini air spray gun body, as shown and described.

DESCRIPTION

FIG. 1 is a perspective view of a mini air spray gun body showing my present design;
FIG. 2 is a front view thereof;
FIG. 3 is a rear view thereof;
FIG. 4 is a left view thereof;
FIG. 5 is a right view thereof;
FIG. 6 is a top plan view thereof;
FIG. 7 is a bottom plan view thereof;
FIG. 8 is a perspective view when in use; and,
FIG. 9 is another perspective view when in use.
The broken line showing in FIGS. 8 and 9 is included for the purpose of illustrating and forms no part of the claimed design.

1 Claim, 6 Drawing Sheets



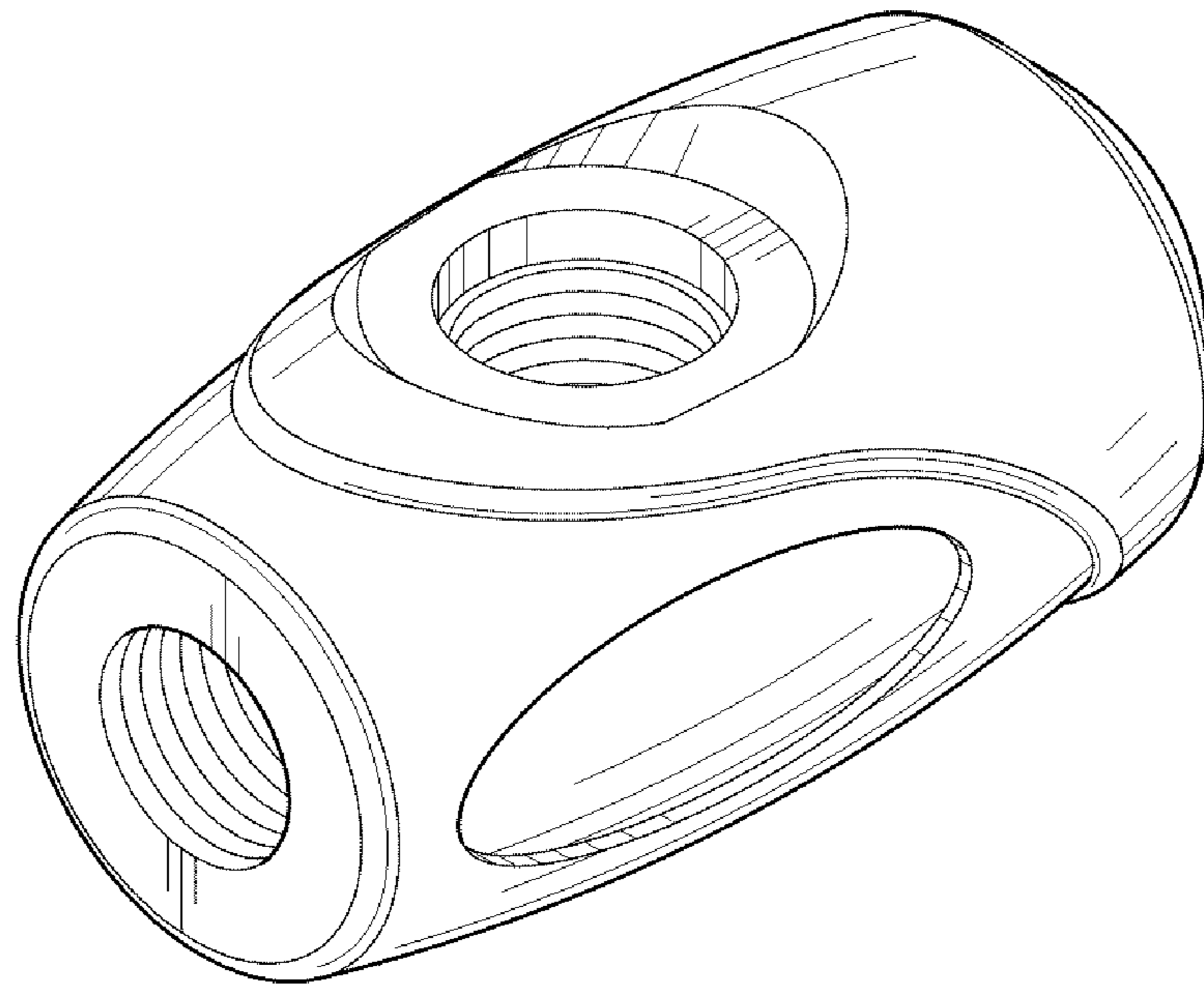


FIG. 1

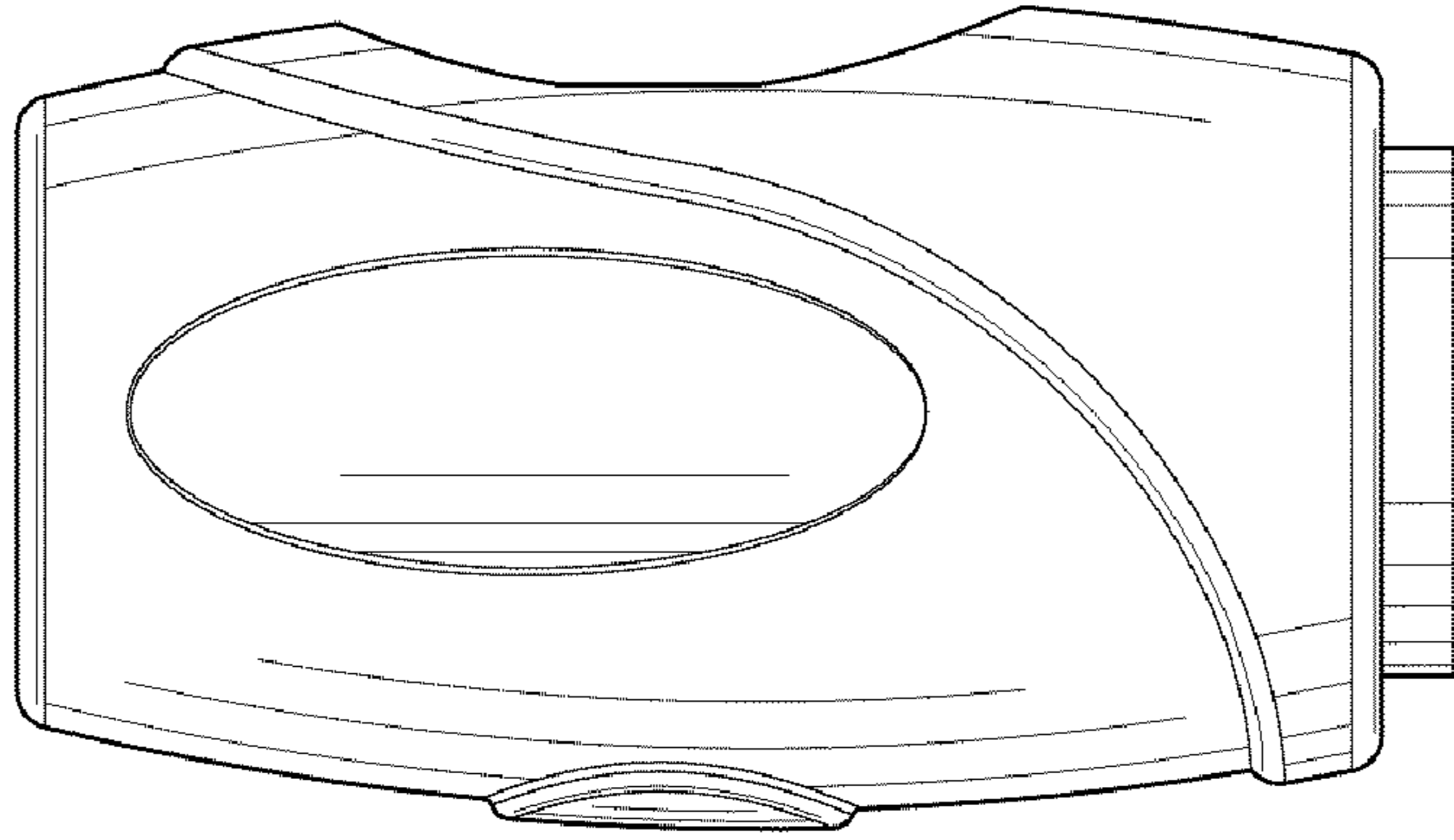


FIG. 2

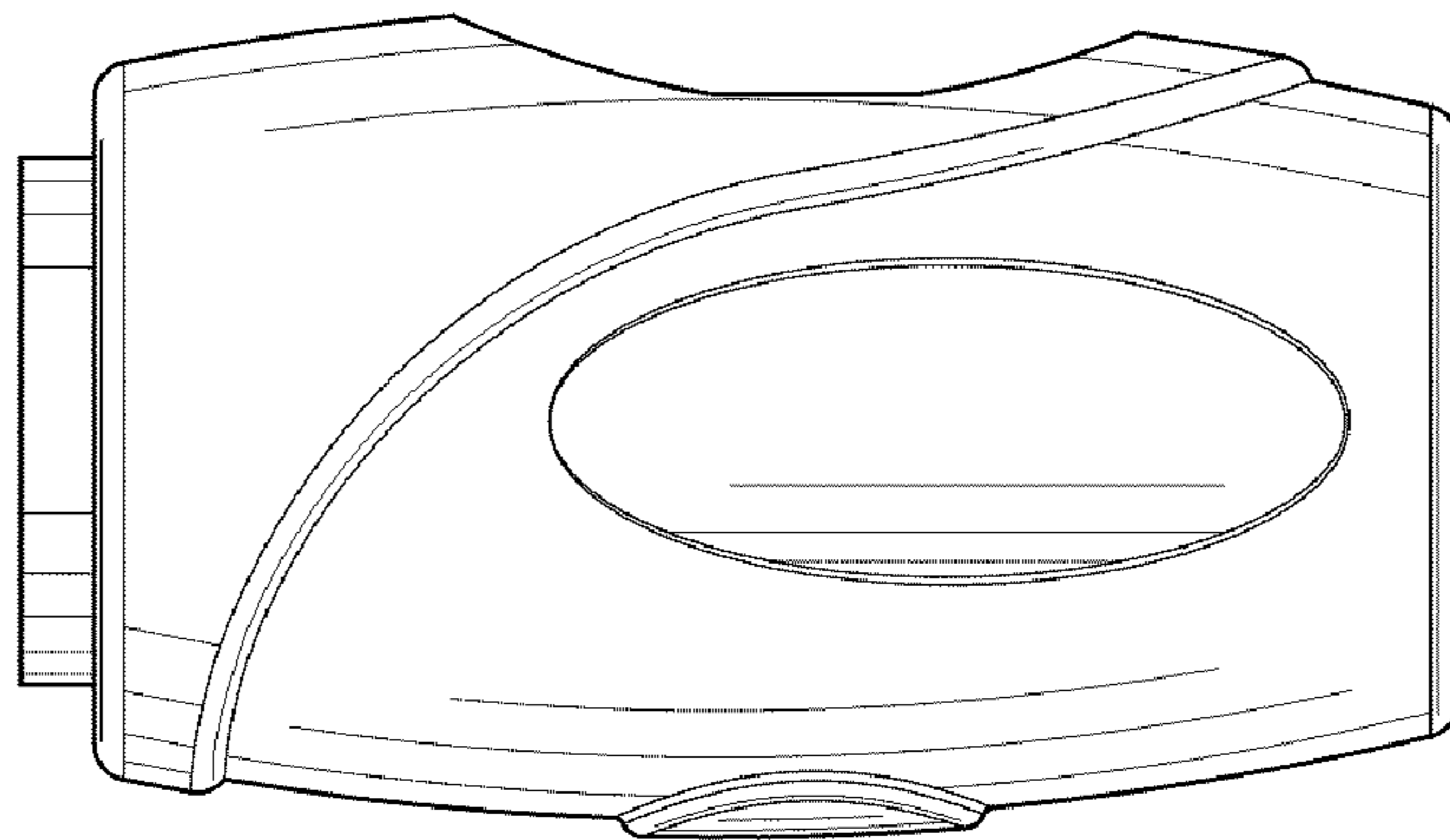


FIG. 3

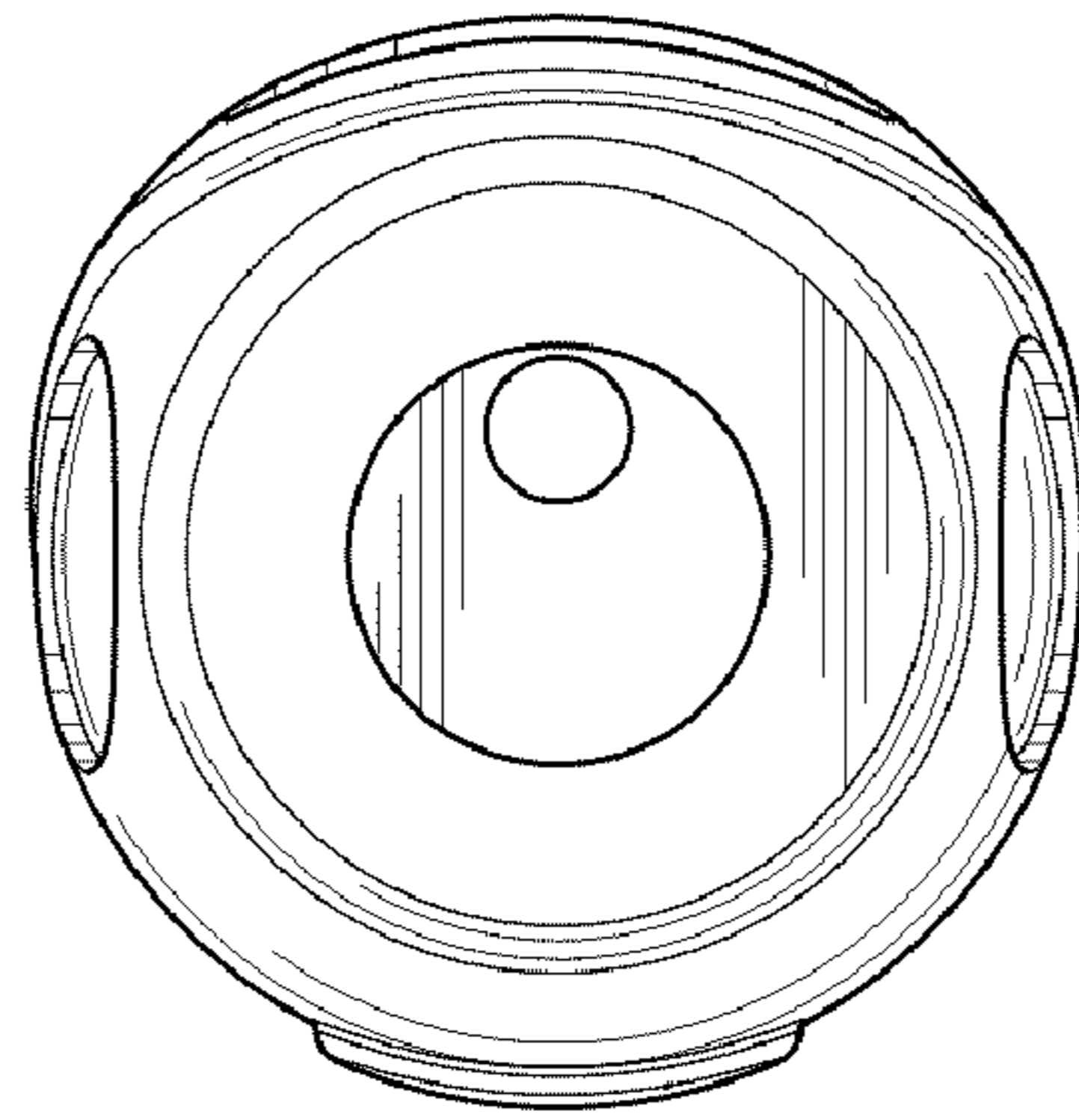


FIG. 4

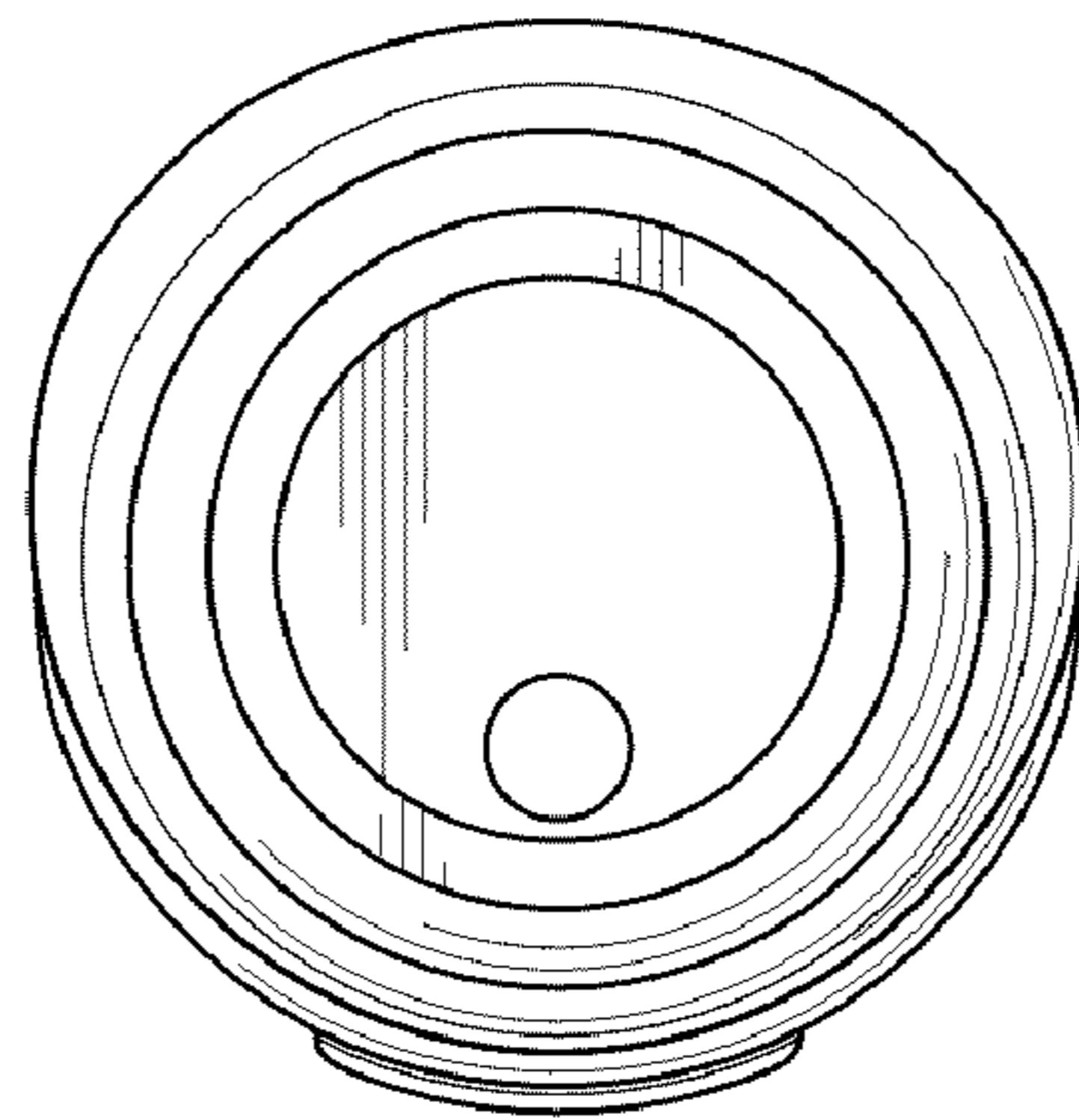


FIG. 5

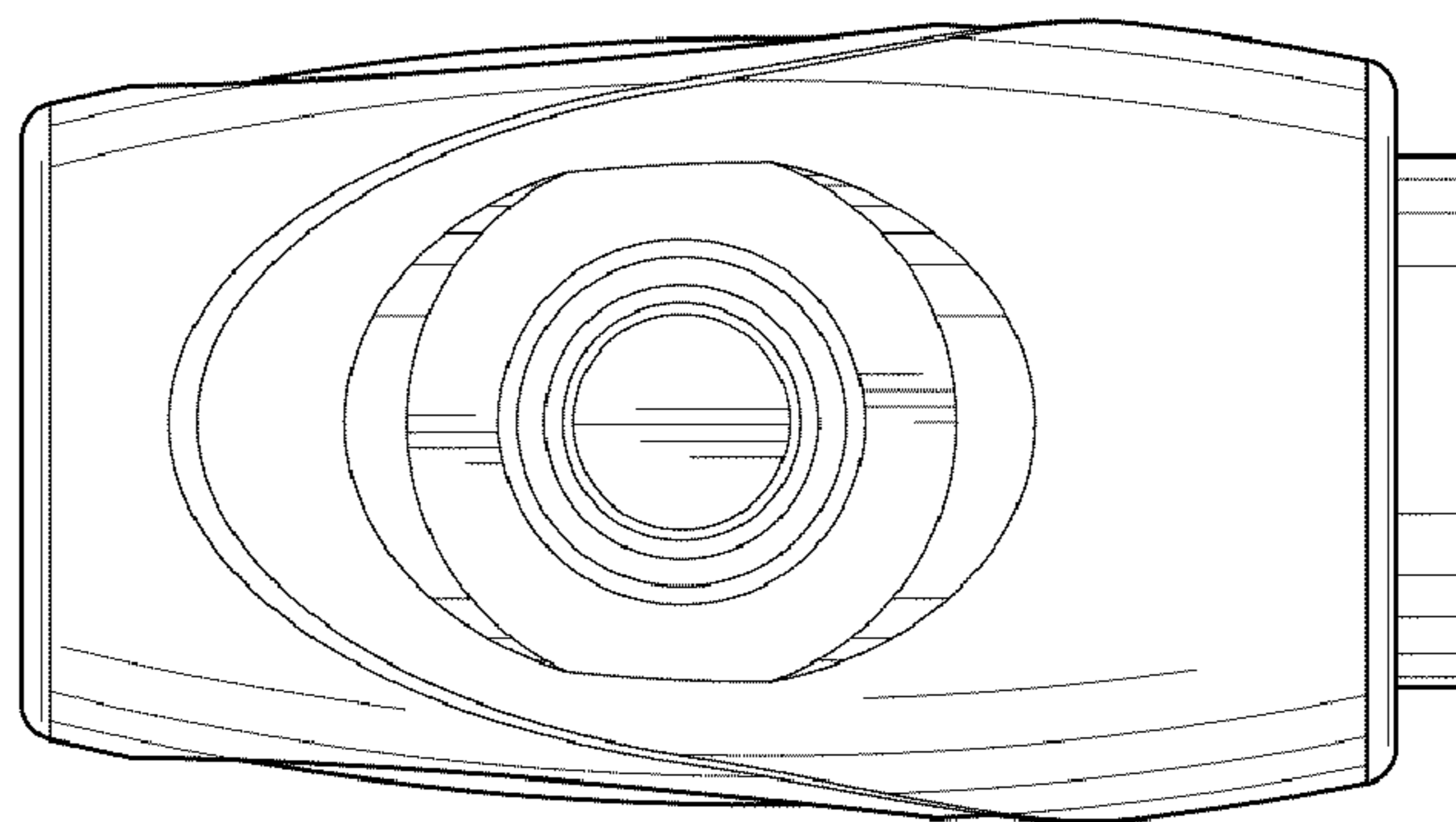


FIG. 6

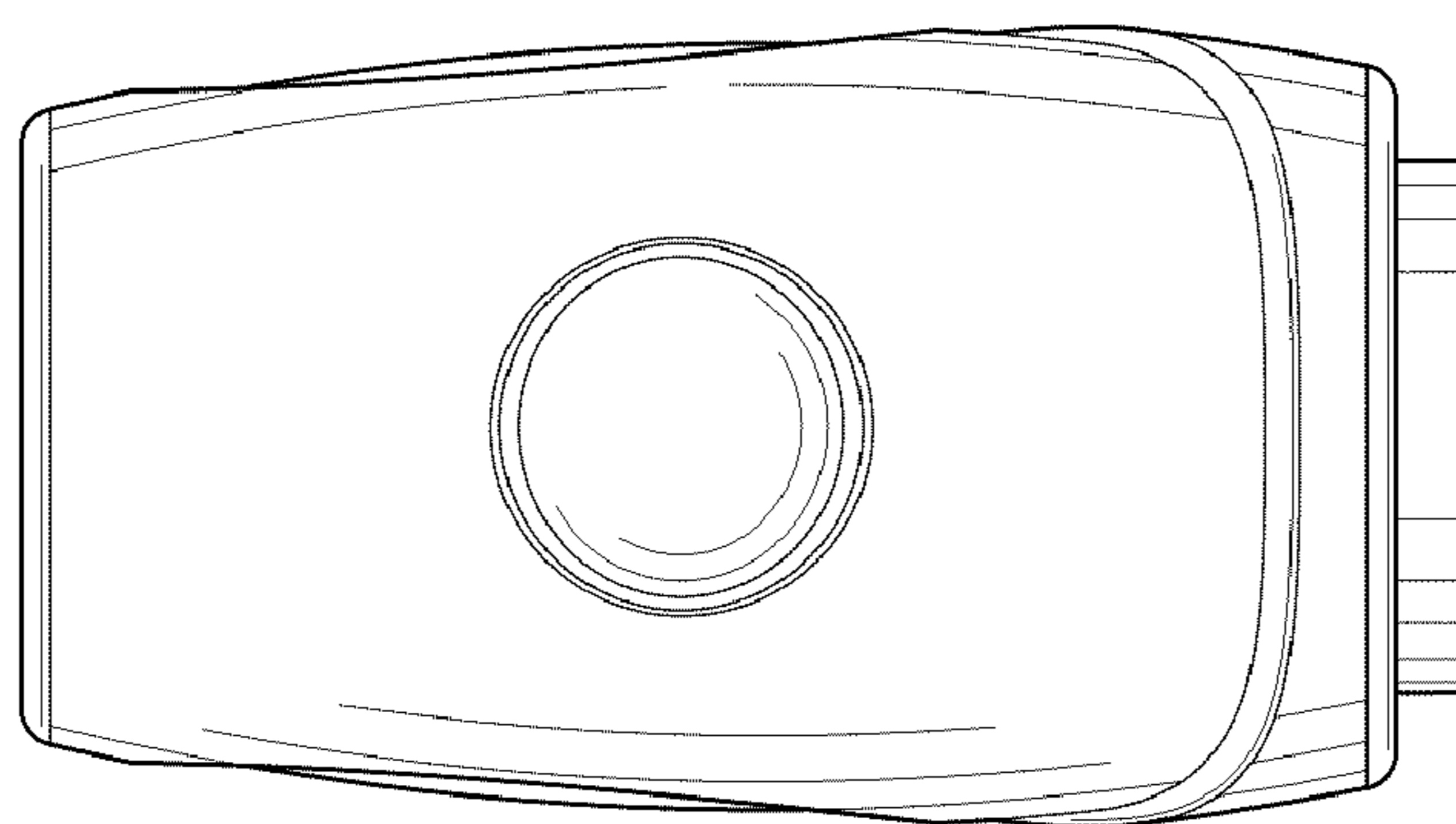


FIG. 7

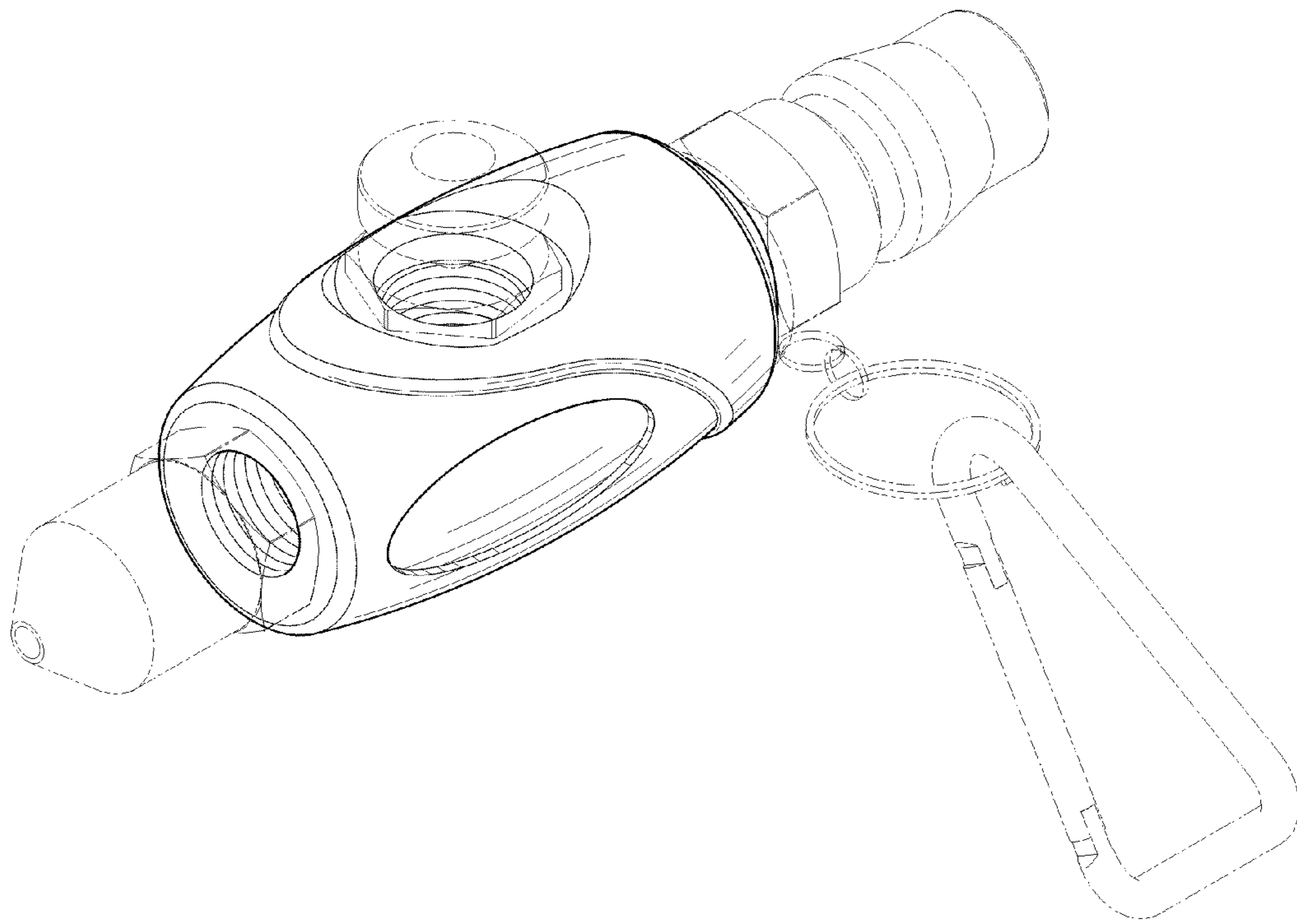


FIG. 8

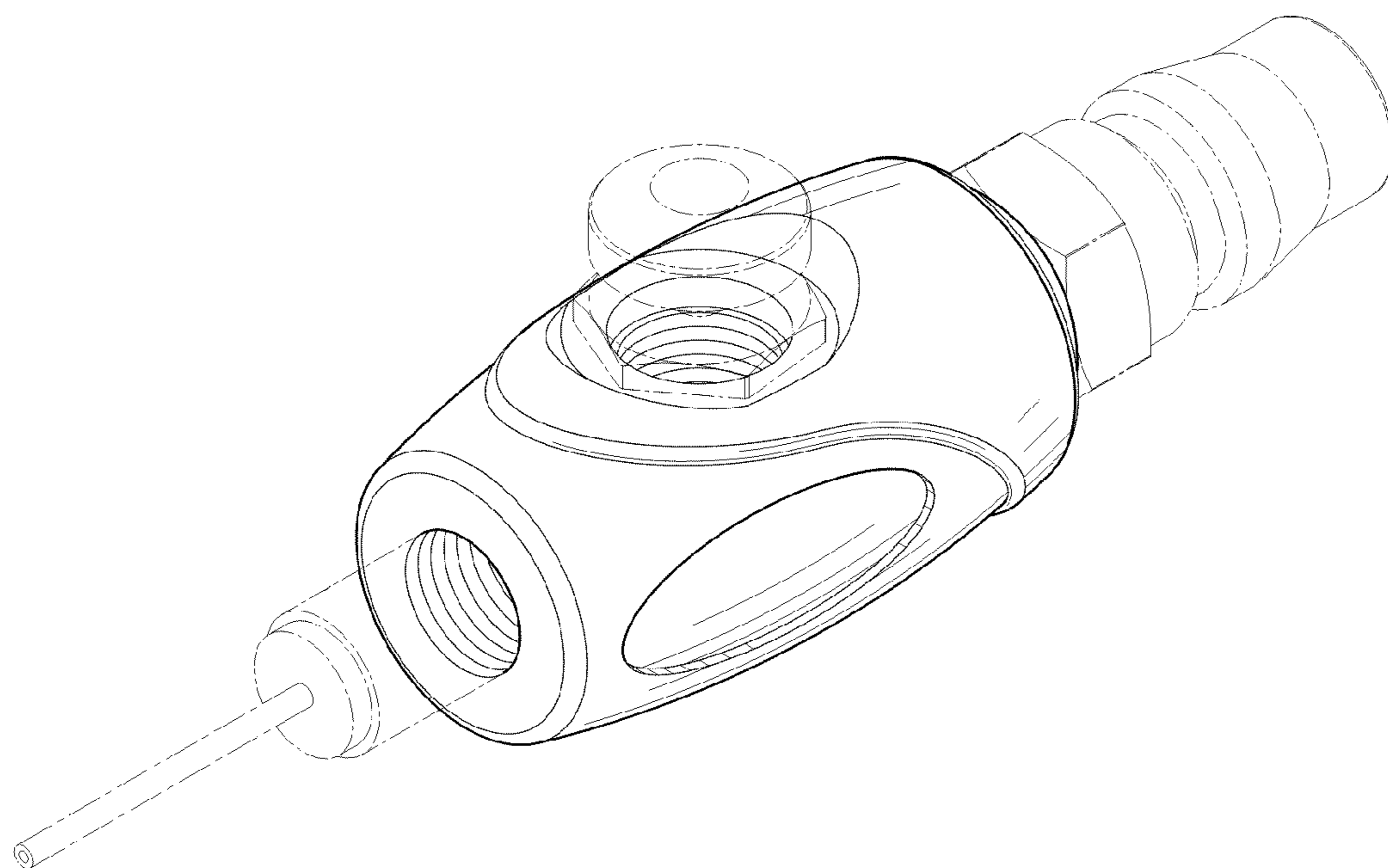


FIG. 9