



US00D651687S

(12) **United States Design Patent**
Chen

(10) **Patent No.:** **US D651,687 S**
(45) **Date of Patent:** **** Jan. 3, 2012**

- (54) **SPRAY NOZZLE FOR PRESSURE WASHER**
 - (75) Inventor: **Karen Chen**, Tsimshatsui (HK)
 - (73) Assignee: **Power Plus Products, Ltd.**, Hong Kong (CN)
 - (**) Term: **14 Years**
 - (21) Appl. No.: **29/367,314**
 - (22) Filed: **Aug. 5, 2010**
 - (51) **LOC (9) Cl.** **23-01**
 - (52) **U.S. Cl.** **D23/213**
 - (58) **Field of Classification Search** D23/213, D23/214; 15/250.02; 239/597, 601, DIG. 1, 239/DIG. 19, 532
- See application file for complete search history.

(56) **References Cited**

U.S. PATENT DOCUMENTS

4,739,934	A *	4/1988	Gewelber	239/446
D466,585	S *	12/2002	Alkalay	D23/214
6,851,632	B2 *	2/2005	Ferrazza et al.	239/590
7,648,087	B2 *	1/2010	Horn et al.	239/597

* cited by examiner

Primary Examiner — Robin V Webster

(74) *Attorney, Agent, or Firm* — Byrne Poh LLP

(57) **CLAIM**

The ornamental design for a spray nozzle for pressure washer, as shown and described.

DESCRIPTION

FIG. 1 is a top plan view of the spray nozzle with six nozzles for a pressure washer in accordance with some embodiments of the present invention.

FIG. 2 is a front side view of the spray nozzle shown in FIG. 1 in accordance with some embodiments of the present invention.

FIG. 3 is a right side view of the spray nozzle shown in FIG. 1 in accordance with some embodiments of the present invention.

FIG. 4 is a back side view of the spray nozzle shown in FIG. 1 in accordance with some embodiments of the present invention.

FIG. 5 is a left side view of the spray nozzle shown in FIG. 1 in accordance with some embodiments of the present invention.

FIG. 6 is a bottom plan view of the spray nozzle shown in FIG. 1 in accordance with some embodiments of the present invention.

FIG. 7 is a top plan view of the spray nozzle with five nozzles for a pressure washer in accordance with some embodiments of the present invention.

FIG. 8 is a front side view of the spray nozzle shown in FIG. 7 in accordance with some embodiments of the present invention.

FIG. 9 is a right side view of the spray nozzle shown in FIG. 7 in accordance with some embodiments of the present invention.

FIG. 10 is a back side view of the spray nozzle shown in FIG. 7 in accordance with some embodiments of the present invention.

FIG. 11 is a left side view of the spray nozzle shown in FIG. 7 in accordance with some embodiments of the present invention.

FIG. 12 is a bottom plan view of the spray nozzle shown in FIG. 7 in accordance with some embodiments of the present invention.

FIG. 13 is a top plan view of the spray nozzle with four nozzles for a pressure washer in accordance with some embodiments of the present invention.

FIG. 14 is a front side view of the spray nozzle shown in FIG. 13 in accordance with some embodiments of the present invention.

FIG. 15 is a right side view of the spray nozzle shown in FIG. 13 in accordance with some embodiments of the present invention.

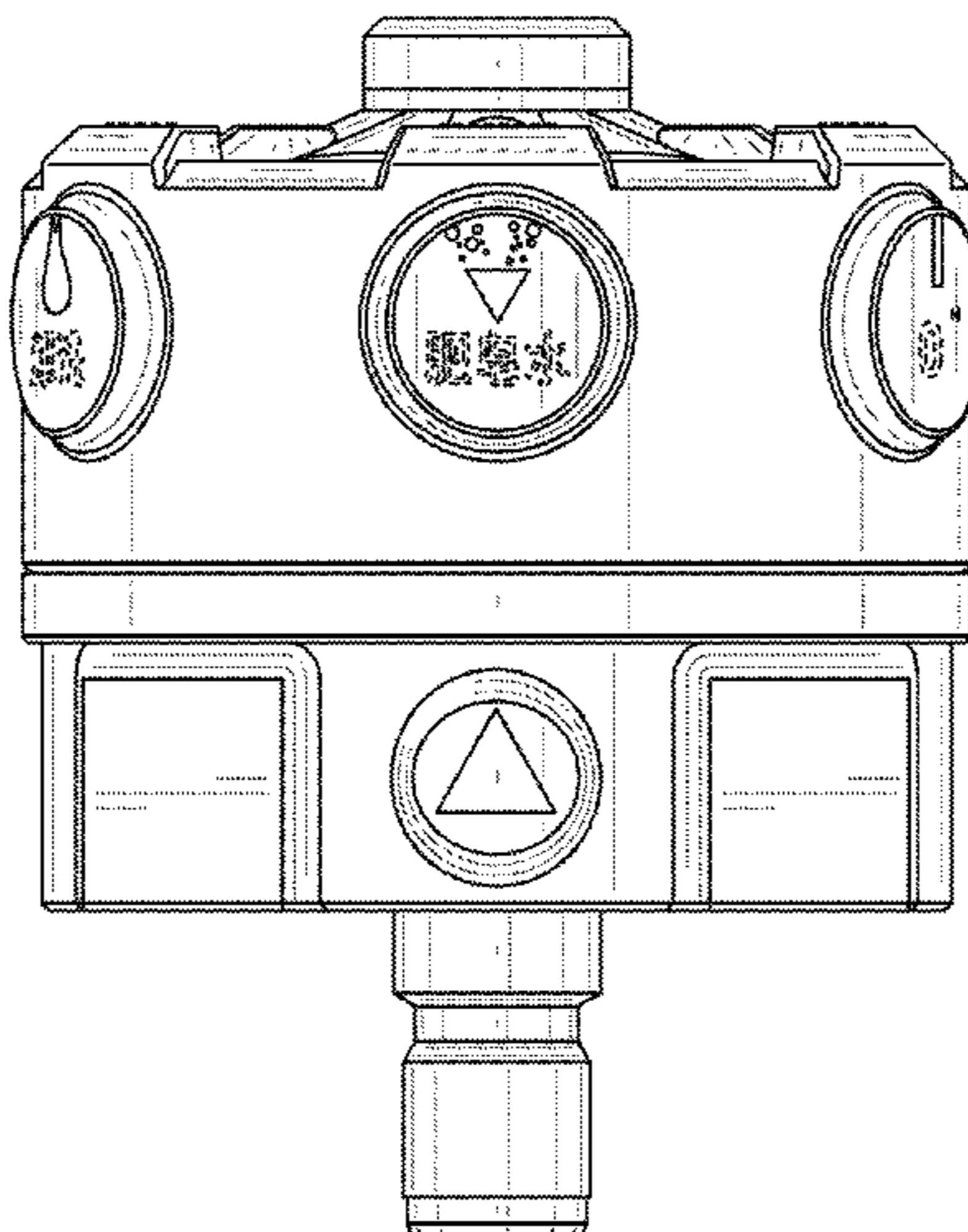
FIG. 16 is a back side view of the spray nozzle shown in FIG. 13 in accordance with some embodiments of the present invention.

FIG. 17 is a left side view of the spray nozzle shown in FIG. 13 in accordance with some embodiments of the present invention; and,

FIG. 18 is a bottom plan view of the spray nozzle shown in FIG. 13 in accordance with some embodiments of the present invention.

The broken line showing of the indicia and features on the bottom of the spray nozzle is included for the purpose of illustrating and forms no part of the claimed design.

1 Claim, 18 Drawing Sheets



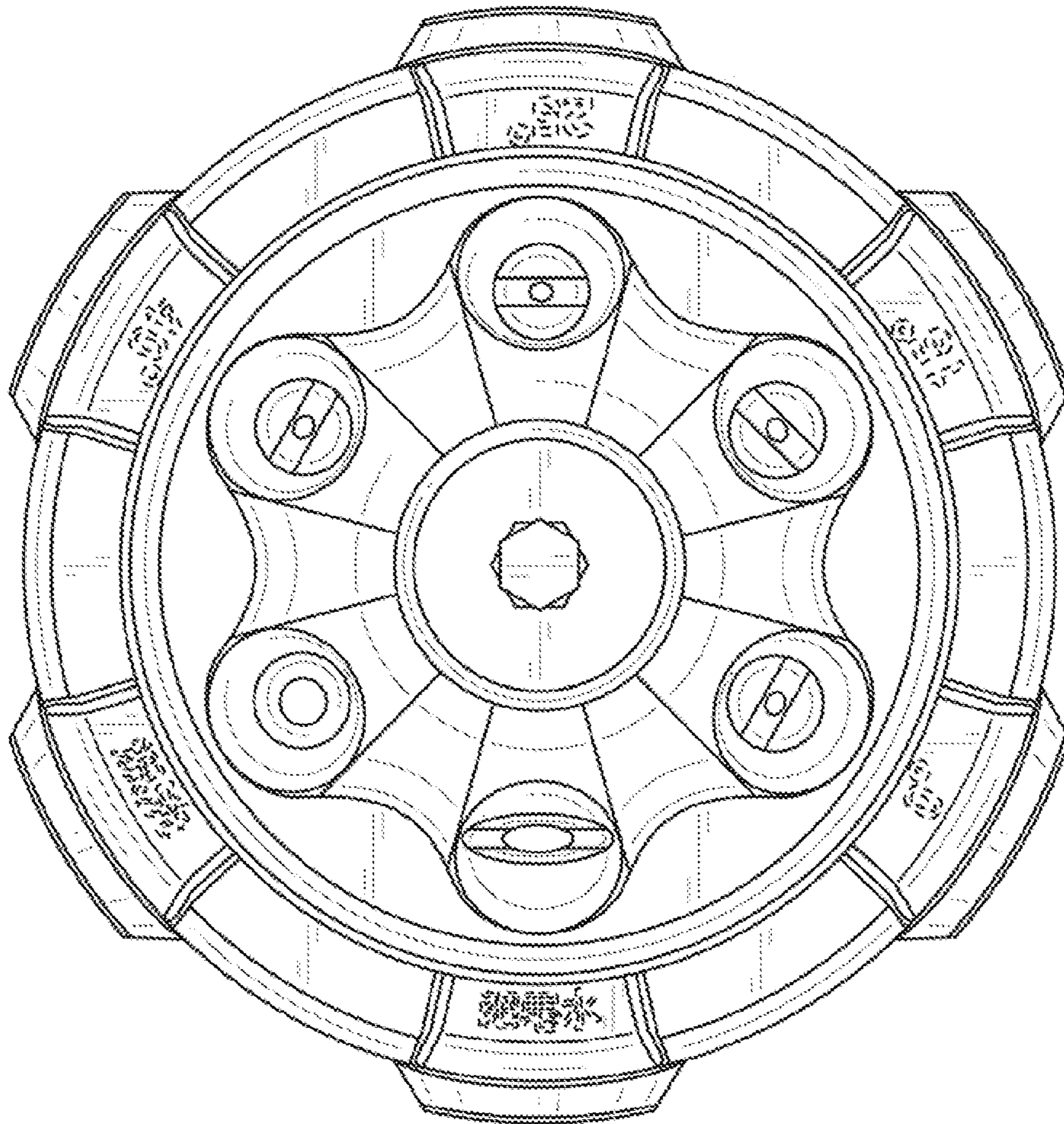


FIG. 1

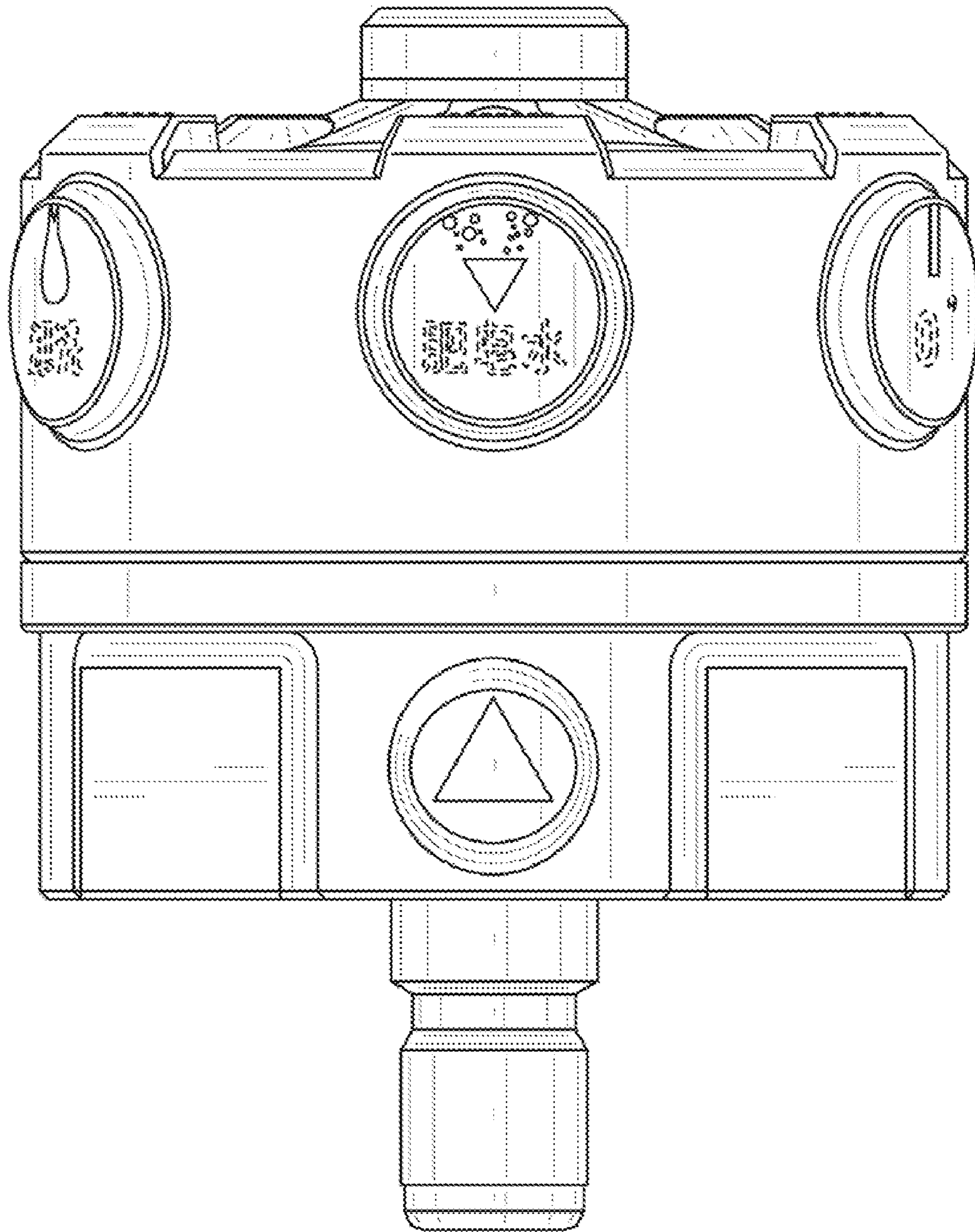


FIG. 2

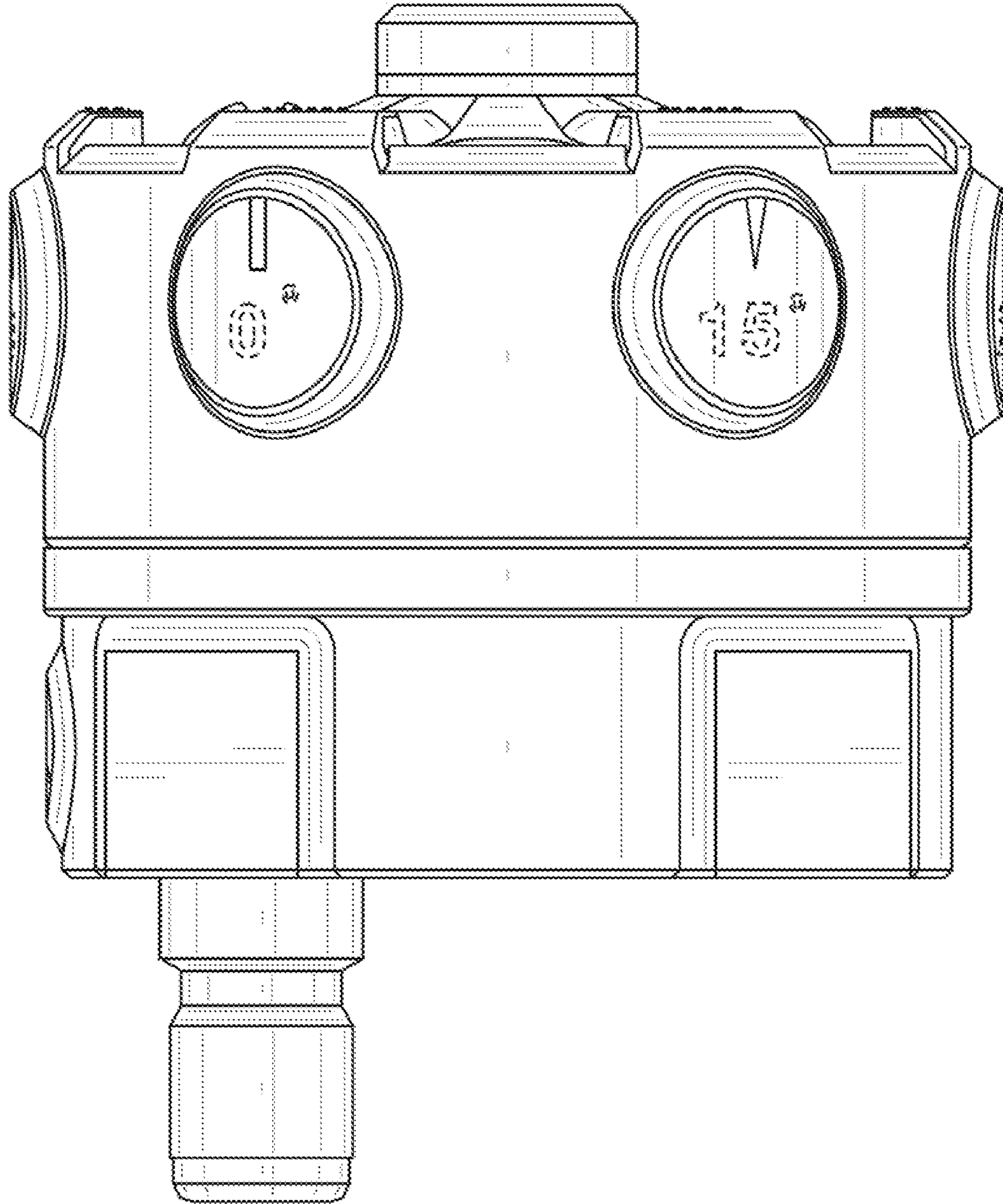


FIG. 3

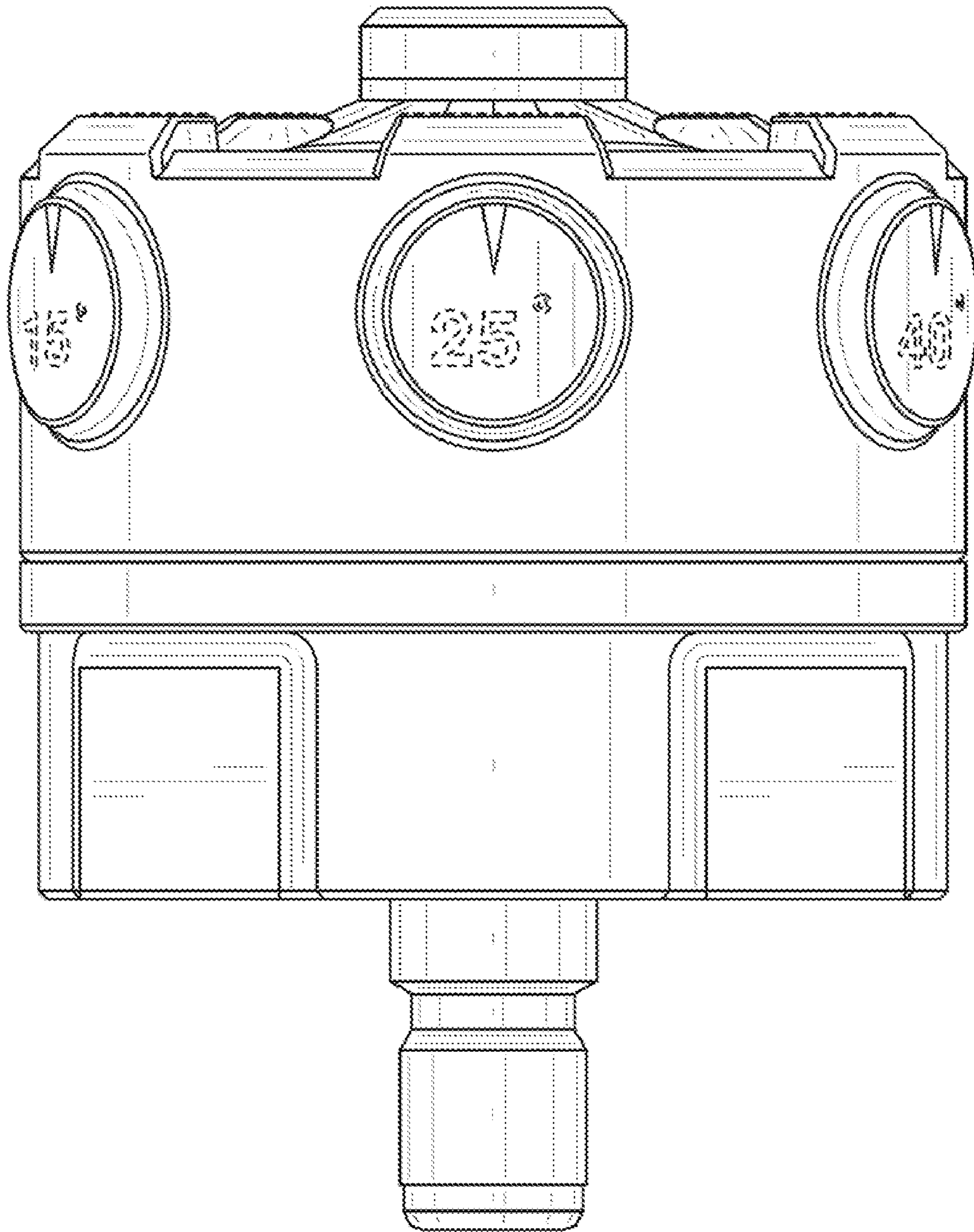


FIG. 4

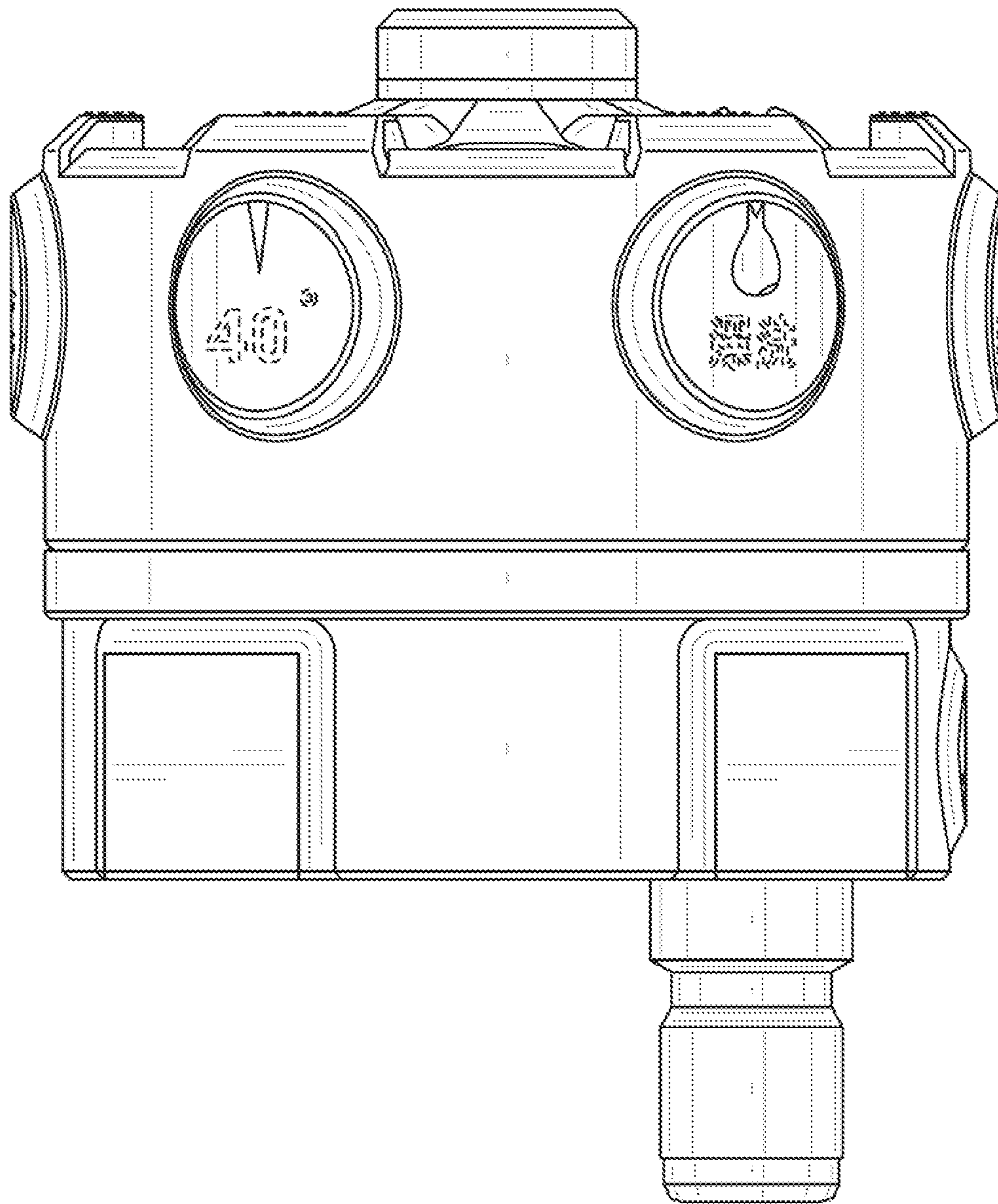


FIG. 5

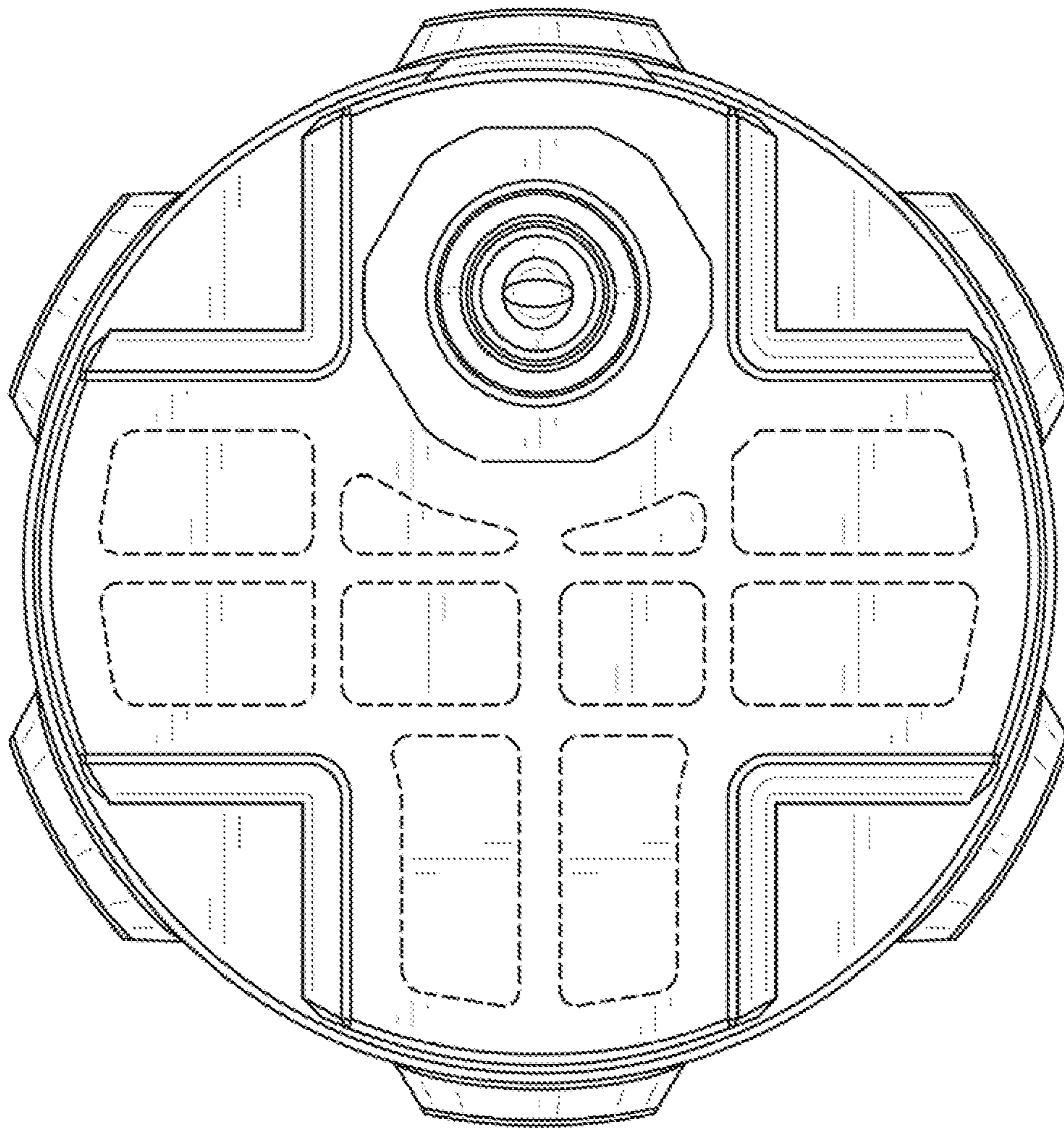


FIG. 6

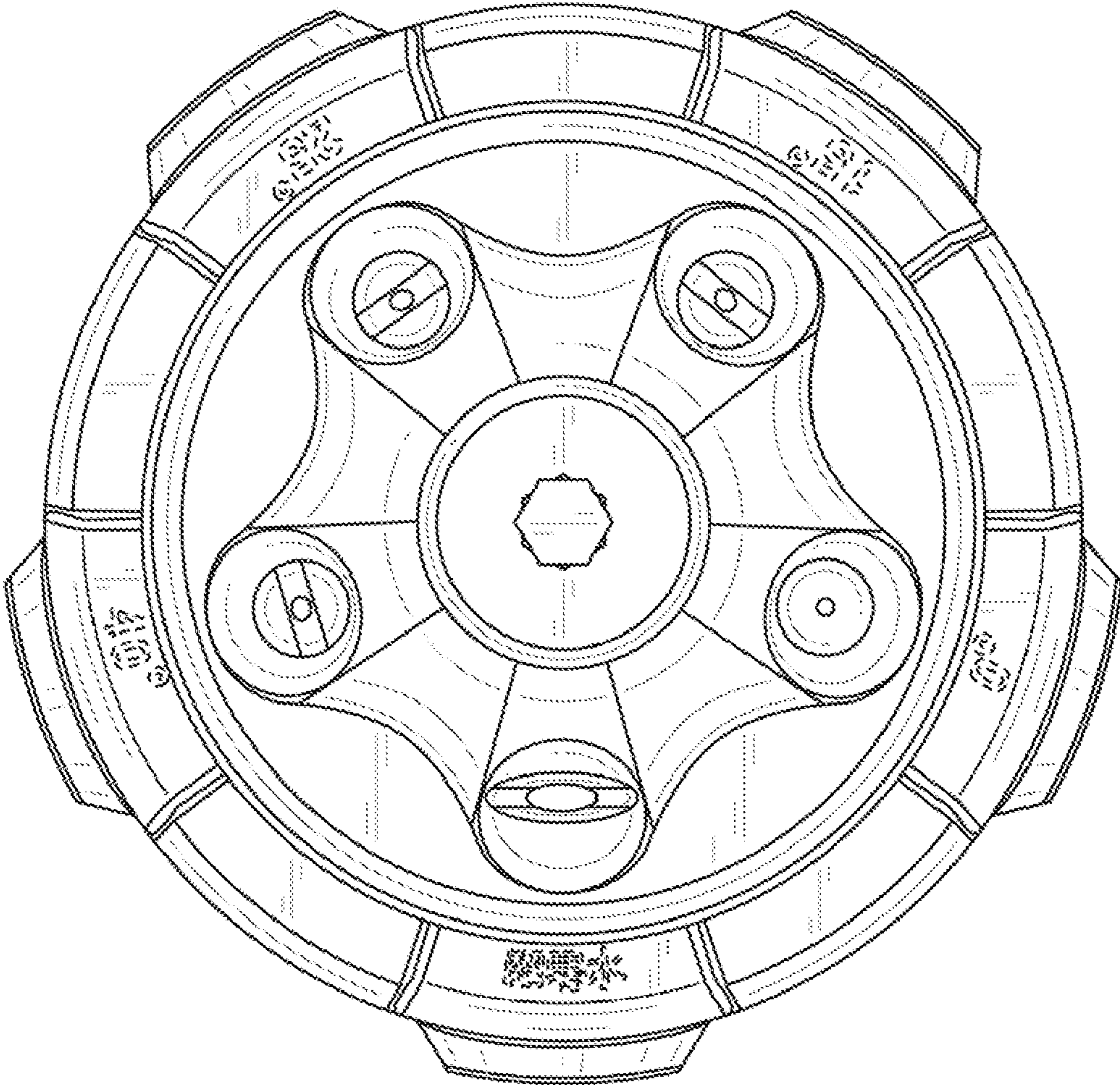


FIG. 7

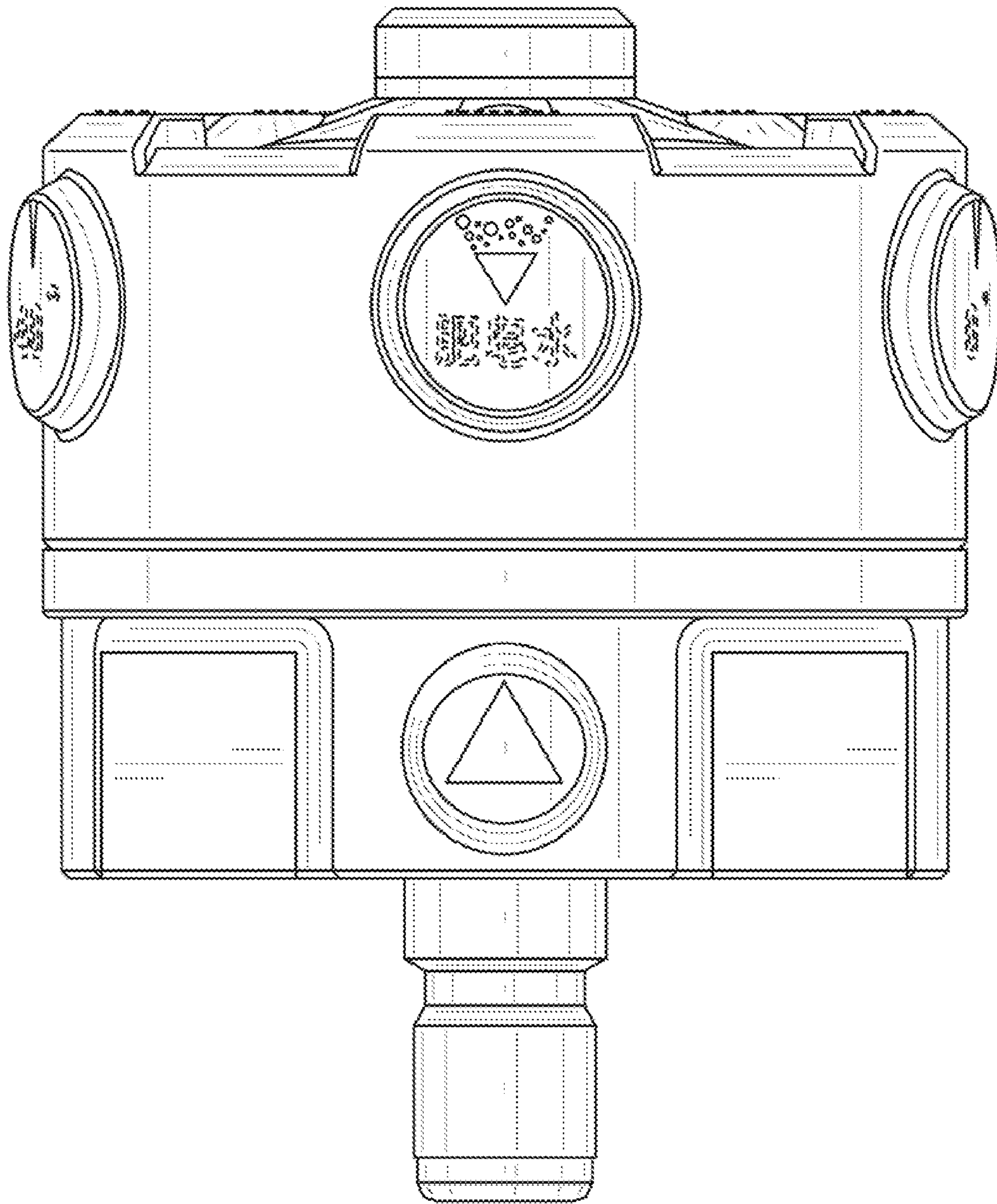


FIG. 8

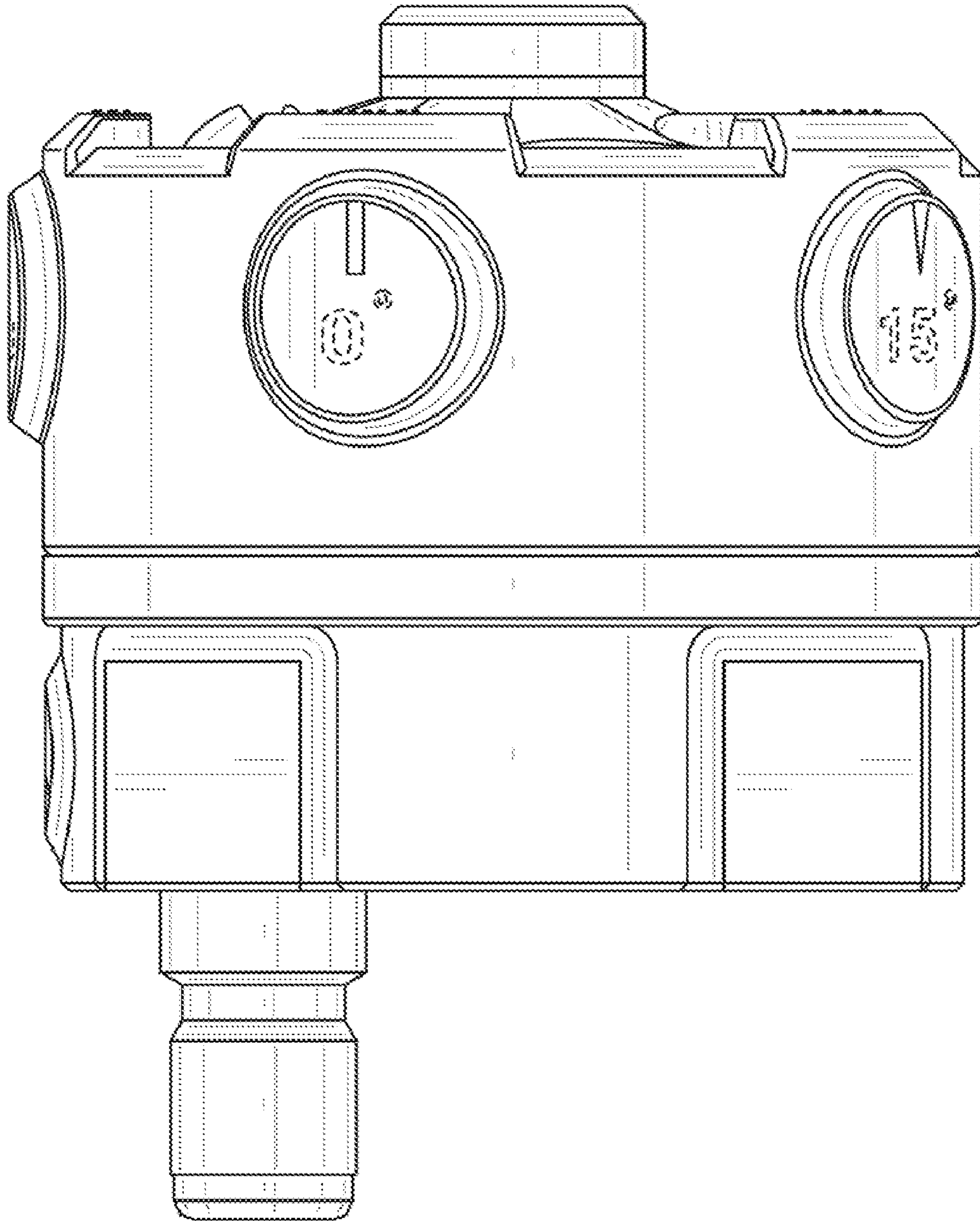


FIG. 9

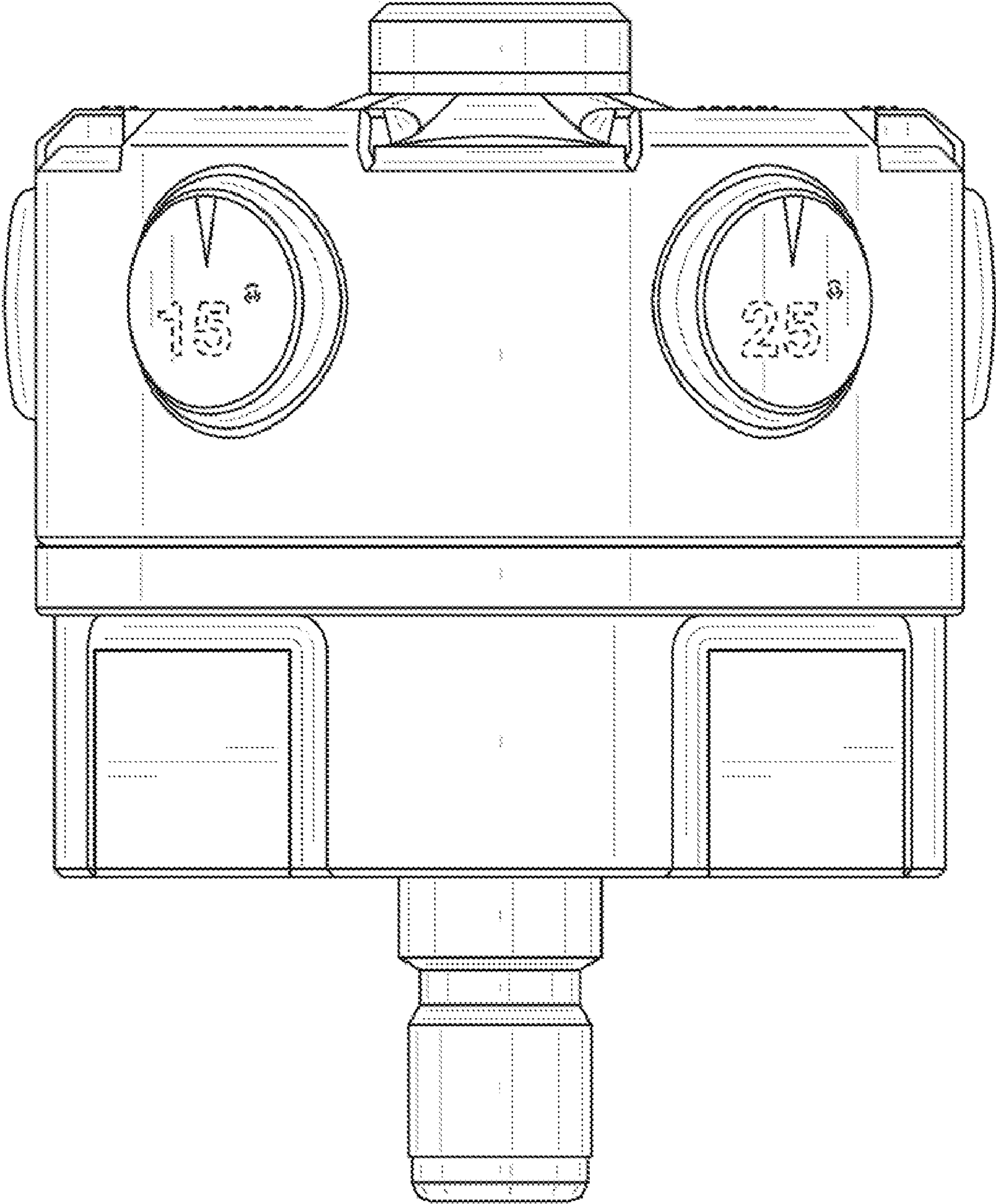


FIG. 10

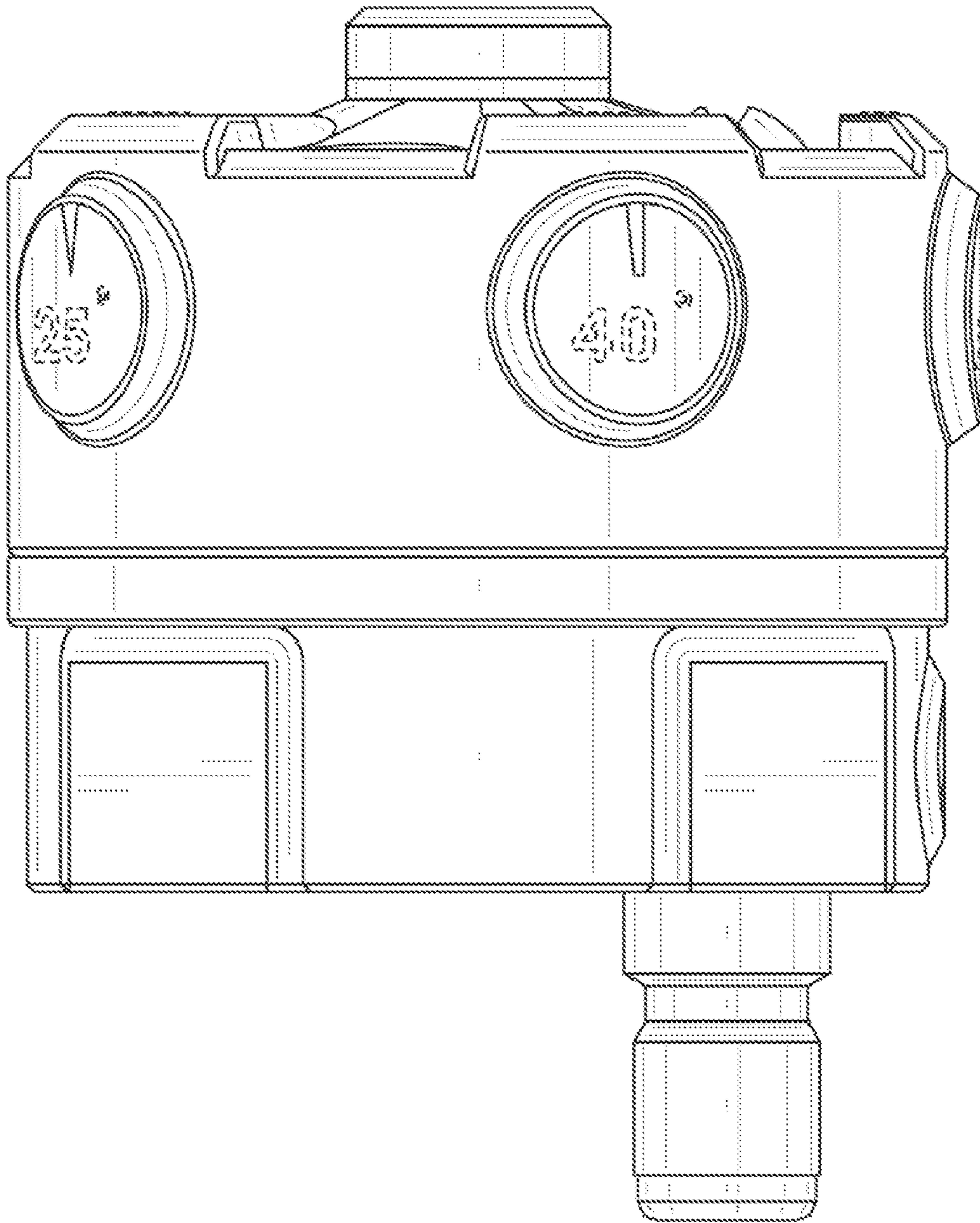


FIG. 11

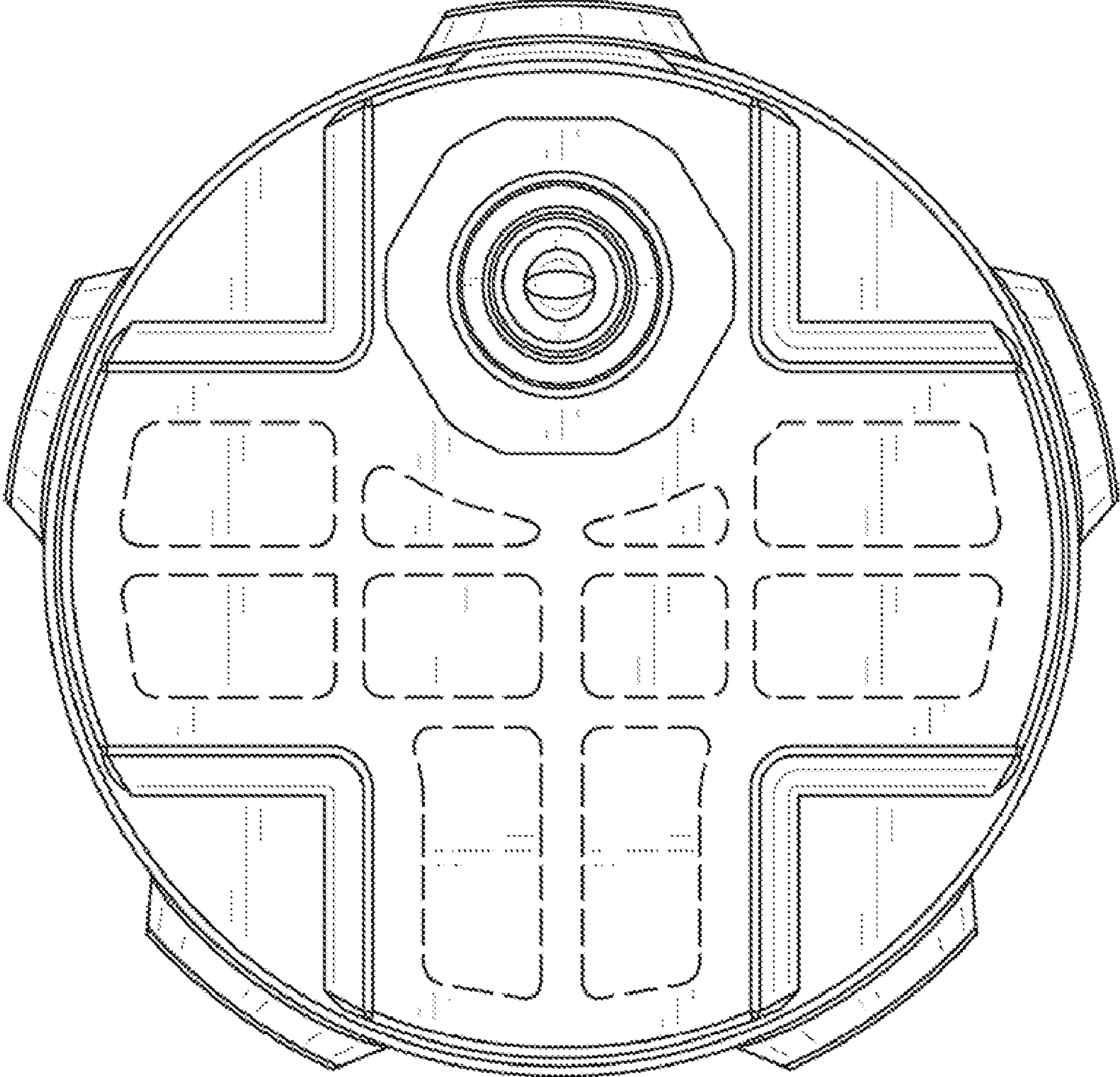


FIG. 12

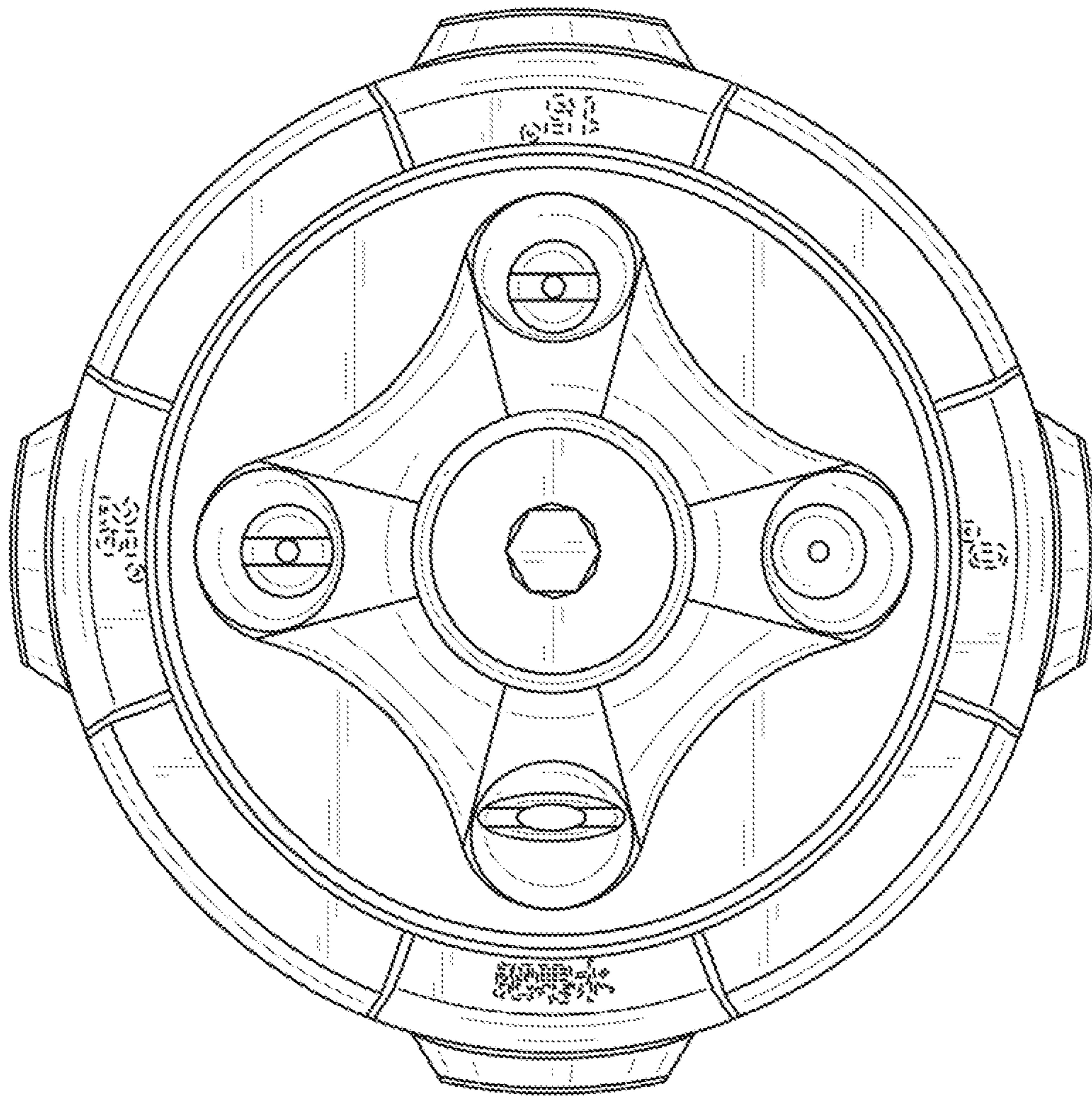


FIG. 13

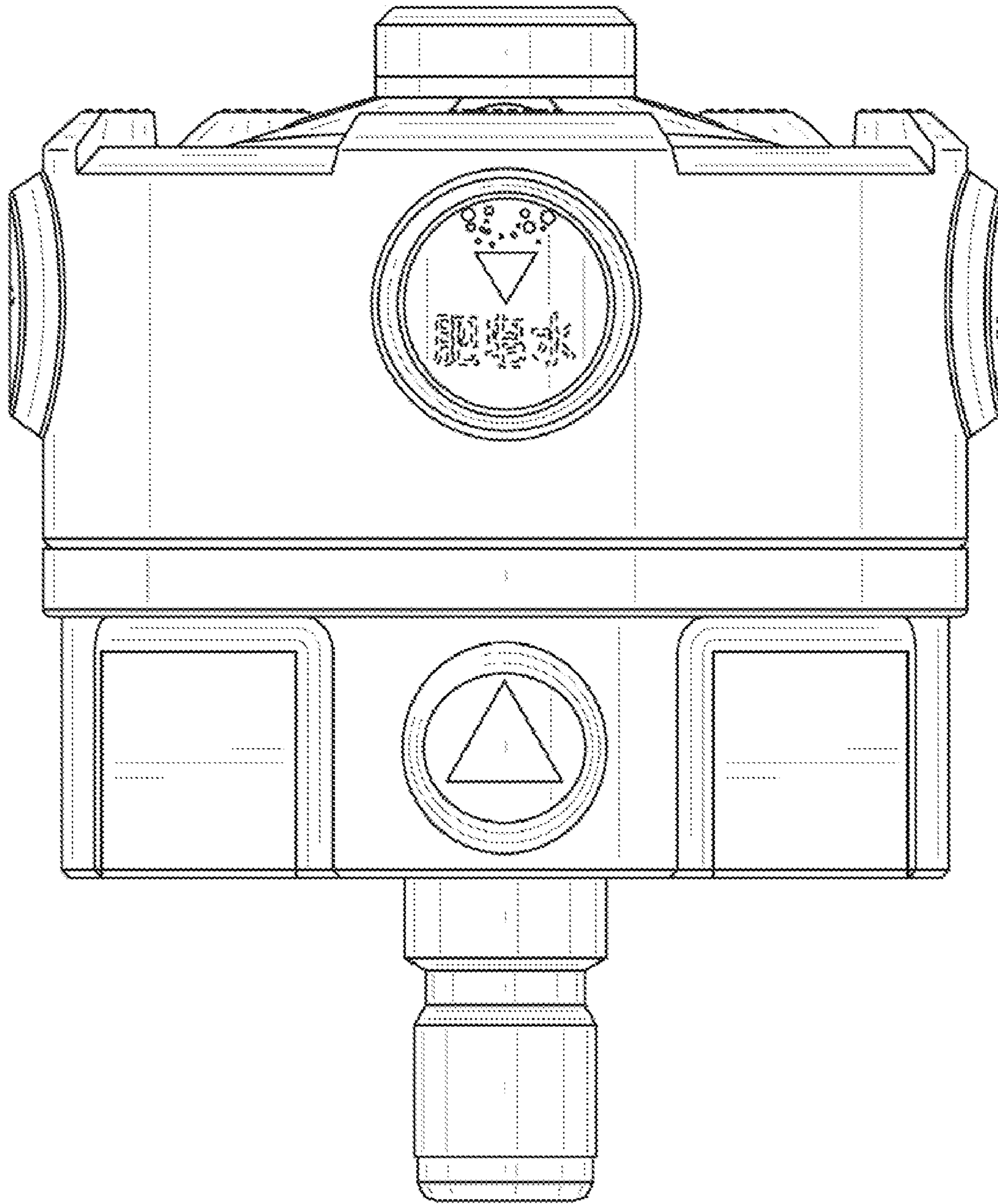


FIG. 14

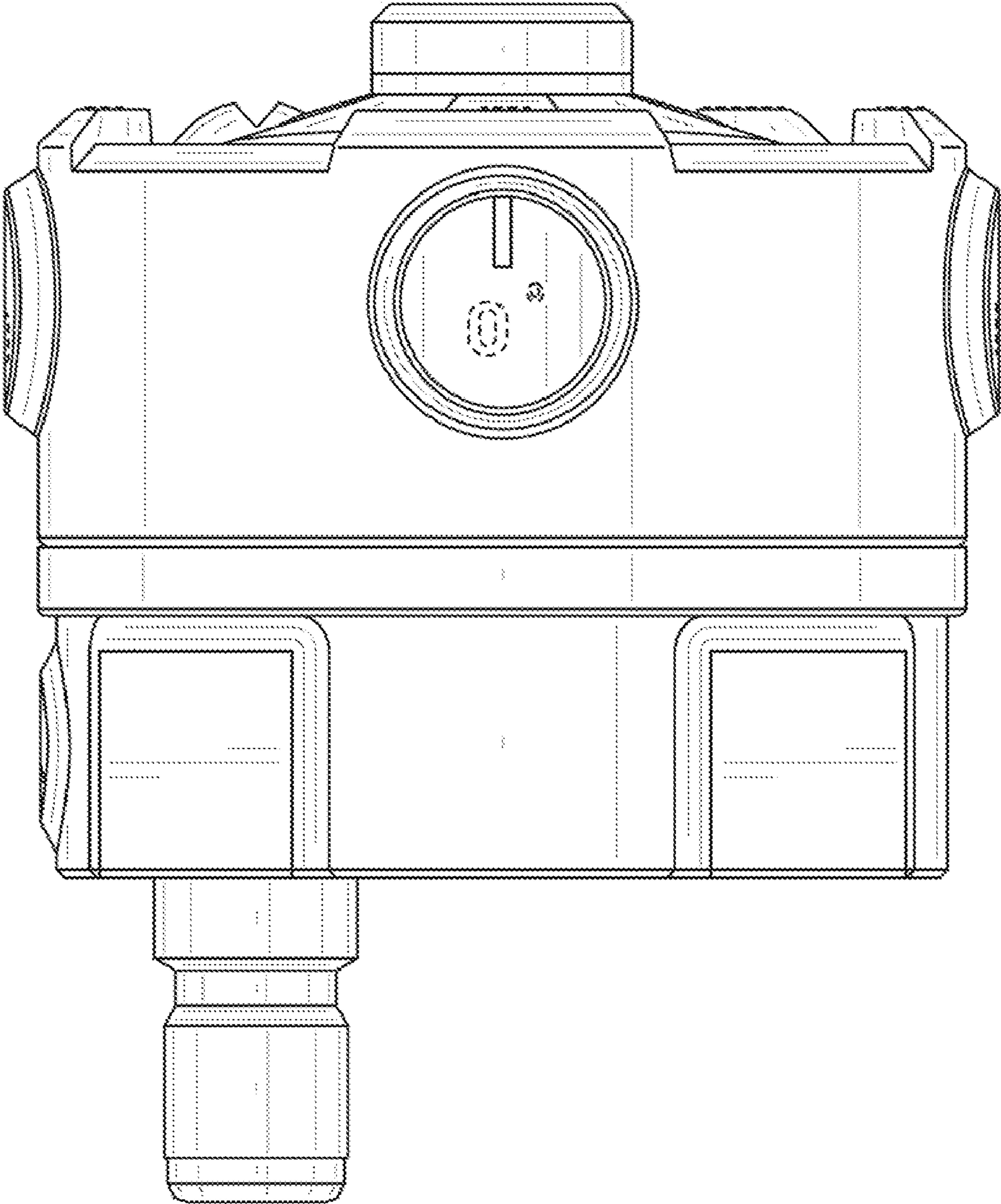


FIG. 15

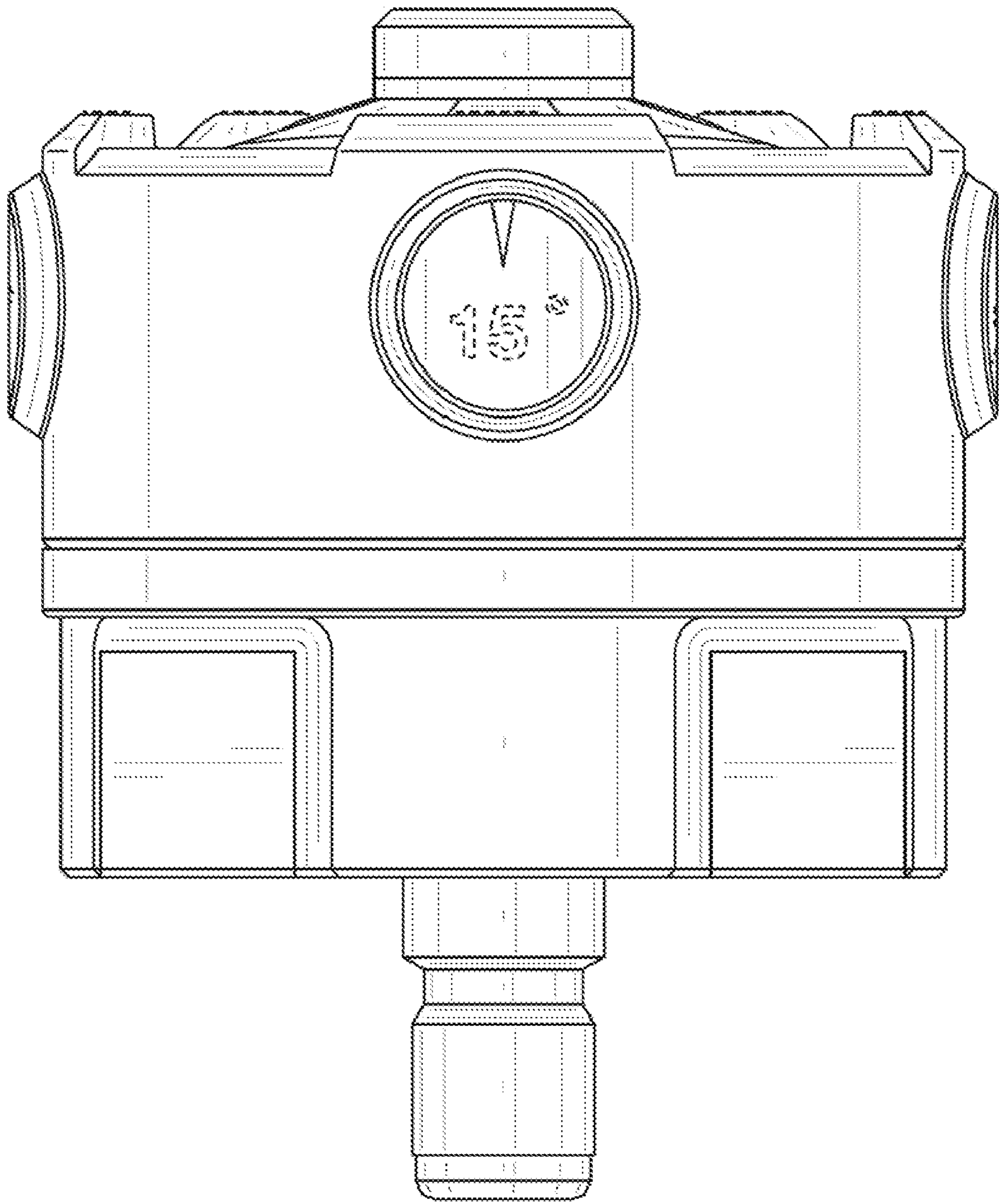


FIG. 16

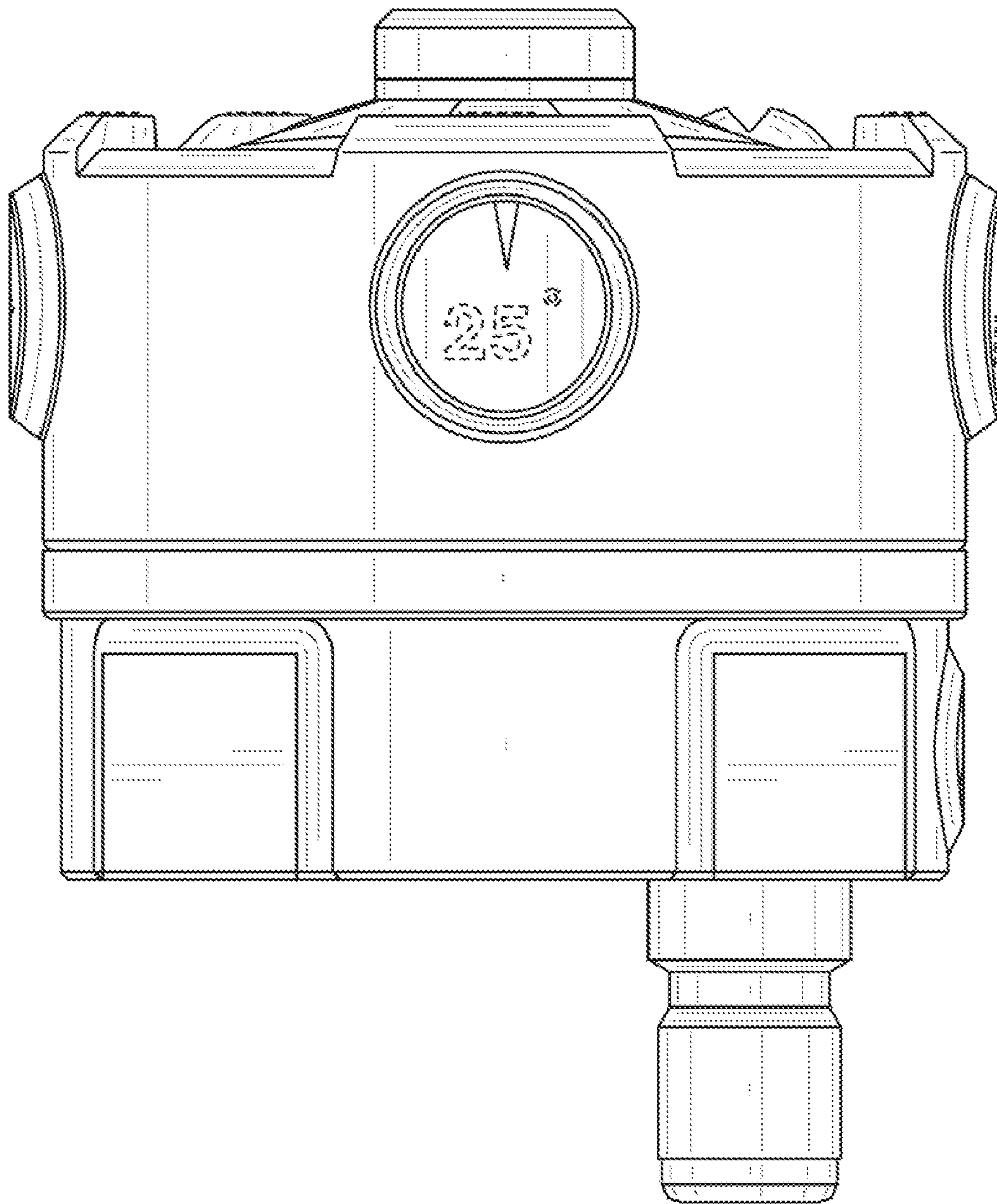


FIG. 17

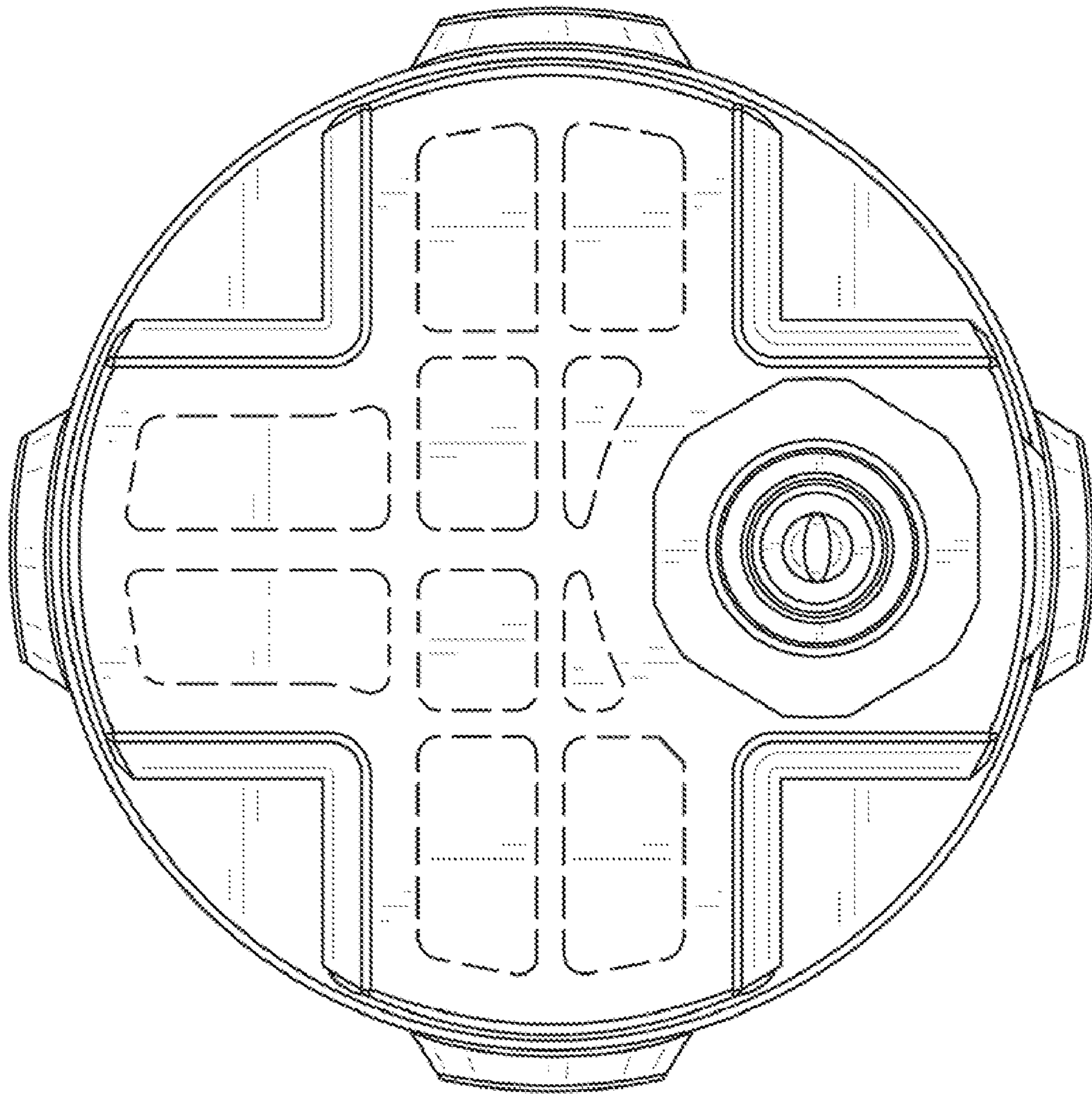


FIG. 18