



US00D651684S

(12) **United States Design Patent**  
**Rogers et al.**

(10) **Patent No.:** **US D651,684 S**  
(45) **Date of Patent:** **\*\* Jan. 3, 2012**

(54) **BORE CLEANING TOOL**

(74) *Attorney, Agent, or Firm* — Arthur G. Yeager, Esq.

(76) Inventors: **William H. Rogers**, St. Augustine, FL (US); **Matthew E. McKendrick**, Jacksonville, FL (US)

(57) **CLAIM**  
The ornamental design for a bore cleaning tool, as shown and described.

(\*\*) Term: **14 Years**

**DESCRIPTION**

(21) Appl. No.: **29/364,487**

FIG. 1 is a perspective view of a longitudinal side and front axial end, according to a first embodiment thereof;  
FIG. 2 is a perspective view of a longitudinal side and rear axial end, according to the first embodiment thereof;  
FIG. 3 is a longitudinal side view thereof, according to the first embodiment thereof;  
FIG. 4 is a front axial end view thereof, according to the first embodiment thereof;  
FIG. 5 is a rear axial end view thereof according to the first embodiment thereof;  
FIG. 6 is a perspective view of a longitudinal side and front axial end, according to a second embodiment thereof;  
FIG. 7 is a perspective view of a longitudinal side and rear axial end, according to the second embodiment thereof;  
FIG. 8 is a longitudinal side view thereof, according to the second embodiment thereof;  
FIG. 9 is a front axial end view thereof, according to the second embodiment thereof; and,  
FIG. 10 is a rear axial end view thereof according to the second embodiment thereof.  
Except for the threads in the second embodiment, the bore squeegee is substantially symmetrical about its longitudinal axis. In the first embodiment, large broken lines illustrate a boundary of the claimed invention, and small broken lines illustrate environment, which forms no part of the claimed invention.

(22) Filed: **Jun. 24, 2010**

(51) **LOC (9) Cl.** ..... **22-99**

(52) **U.S. Cl.** ..... **D22/199**

(58) **Field of Classification Search** ..... D22/108,  
D22/199; D21/572-574; 42/95;  
15/104.001-104.05

See application file for complete search history.

(56) **References Cited**

U.S. PATENT DOCUMENTS

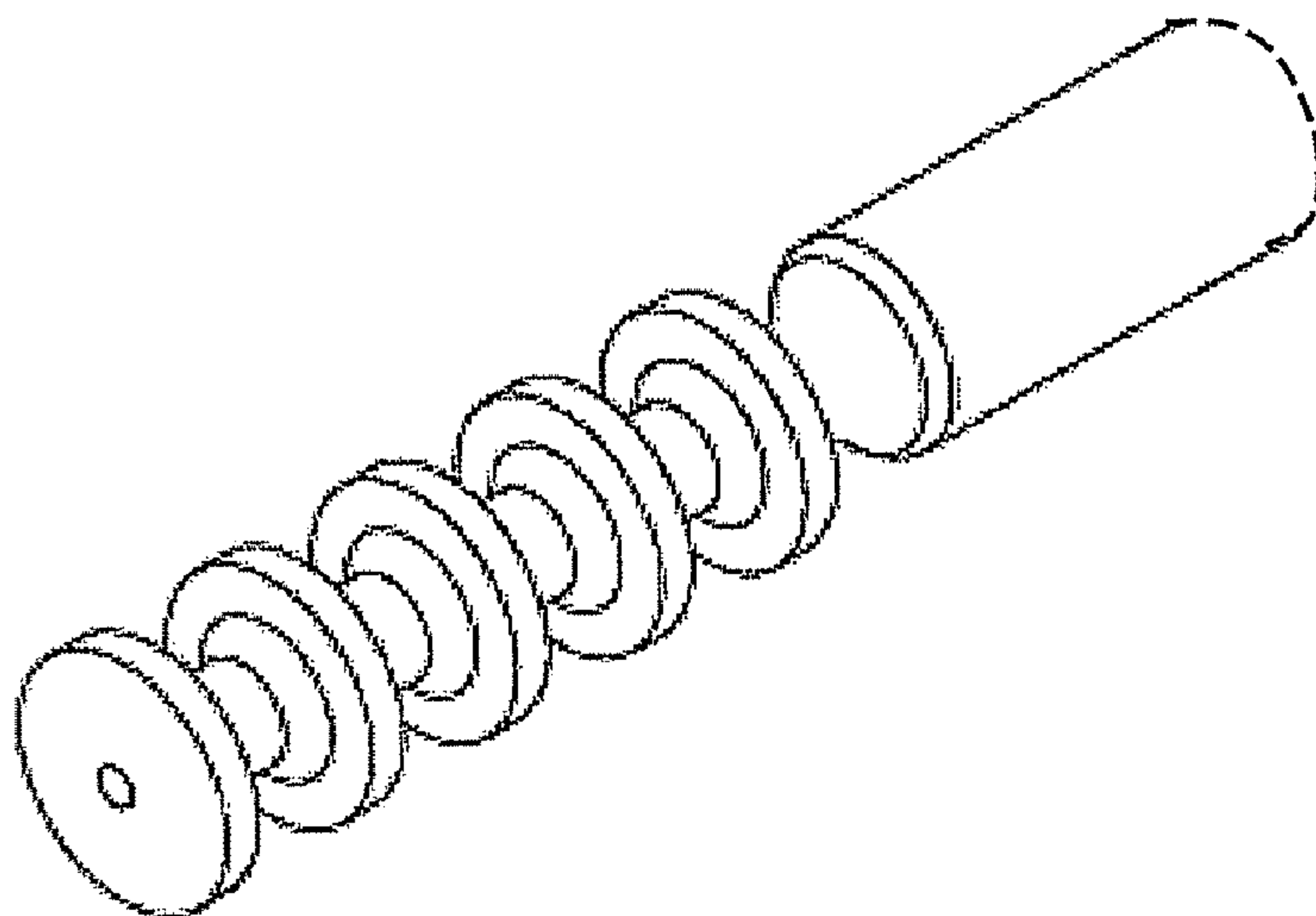
1,264,290	A *	4/1918	Fletcher	15/104.2
1,296,719	A *	3/1919	Veeck	15/179
1,532,222	A *	4/1925	Belding	15/104.16
D247,936	S *	5/1978	Wortley et al.	D4/120
D393,115	S *	3/1998	Bell et al.	D32/35
6,276,017	B1 *	8/2001	Lino et al.	15/104.061
7,380,570	B1 *	6/2008	Orr	137/625.25
7,454,812	B1 *	11/2008	Lyle	15/104.05
2007/0266610	A1 *	11/2007	Coffield	42/95
2009/0283115	A1 *	11/2009	Dentico	134/22.1
2010/0017980	A1 *	1/2010	Filippovitch	15/104.05
2011/0047853	A1 *	3/2011	Williams	42/95

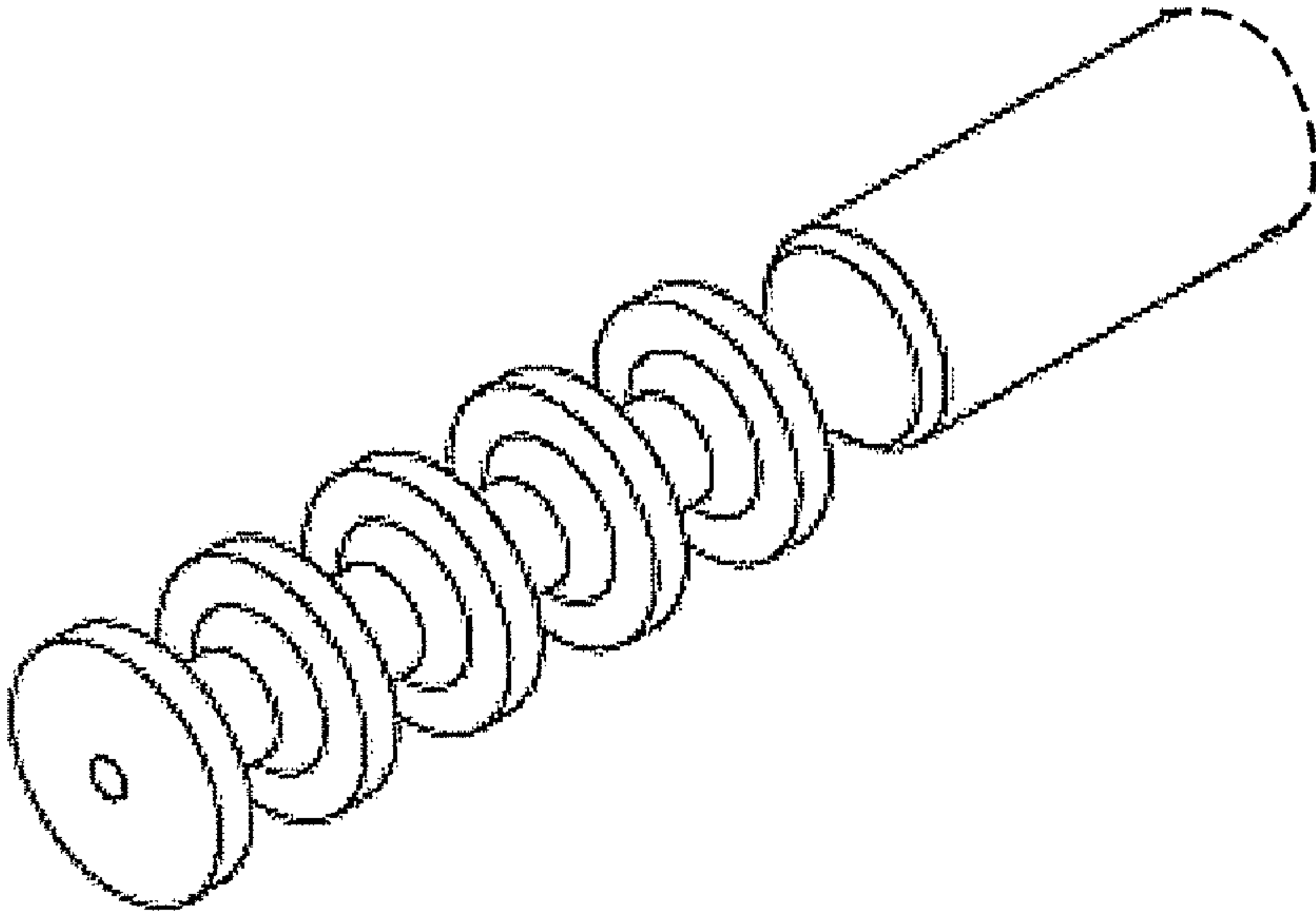
\* cited by examiner

*Primary Examiner* — T. Chase Nelson

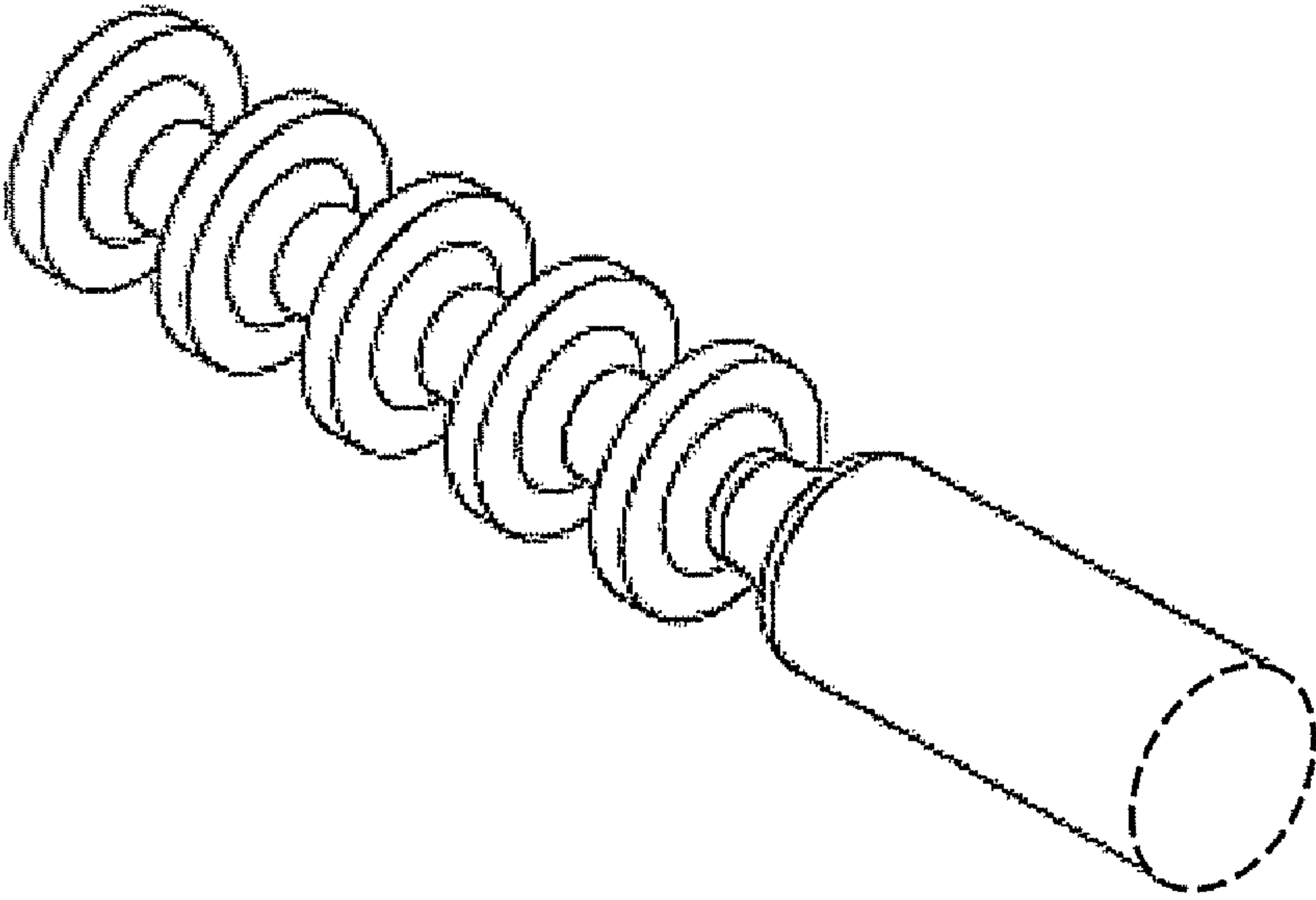
*Assistant Examiner* — Michael Pratt

**1 Claim, 4 Drawing Sheets**

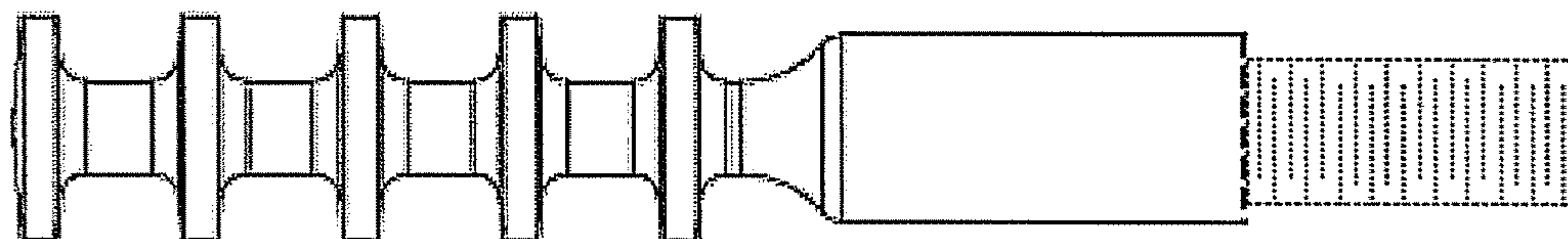




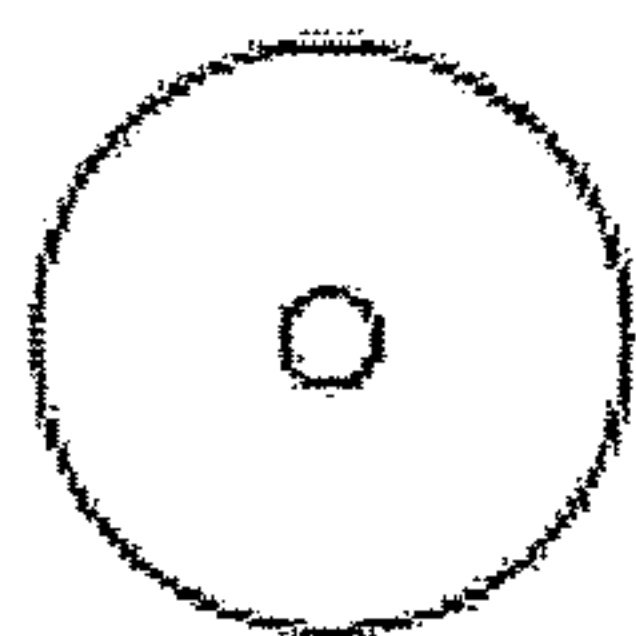
**FIG. 1**



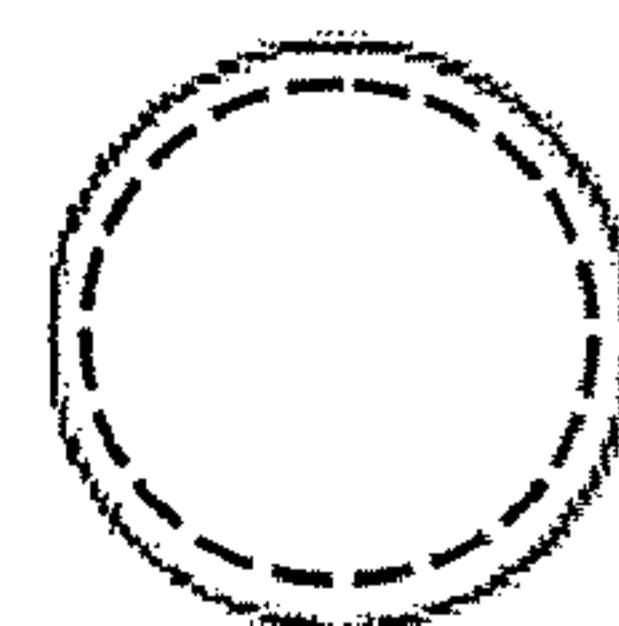
**FIG. 2**



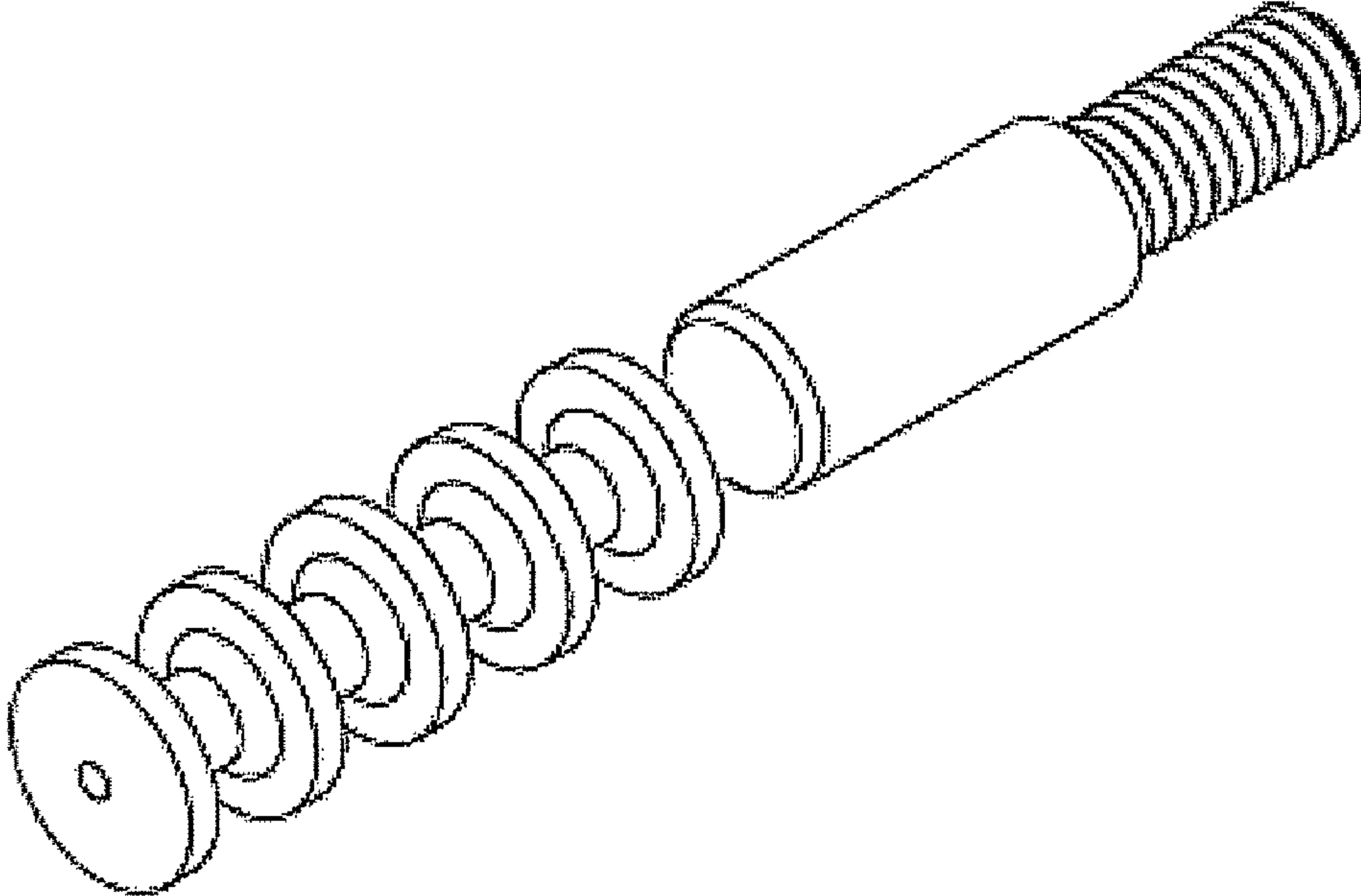
**FIG. 3**



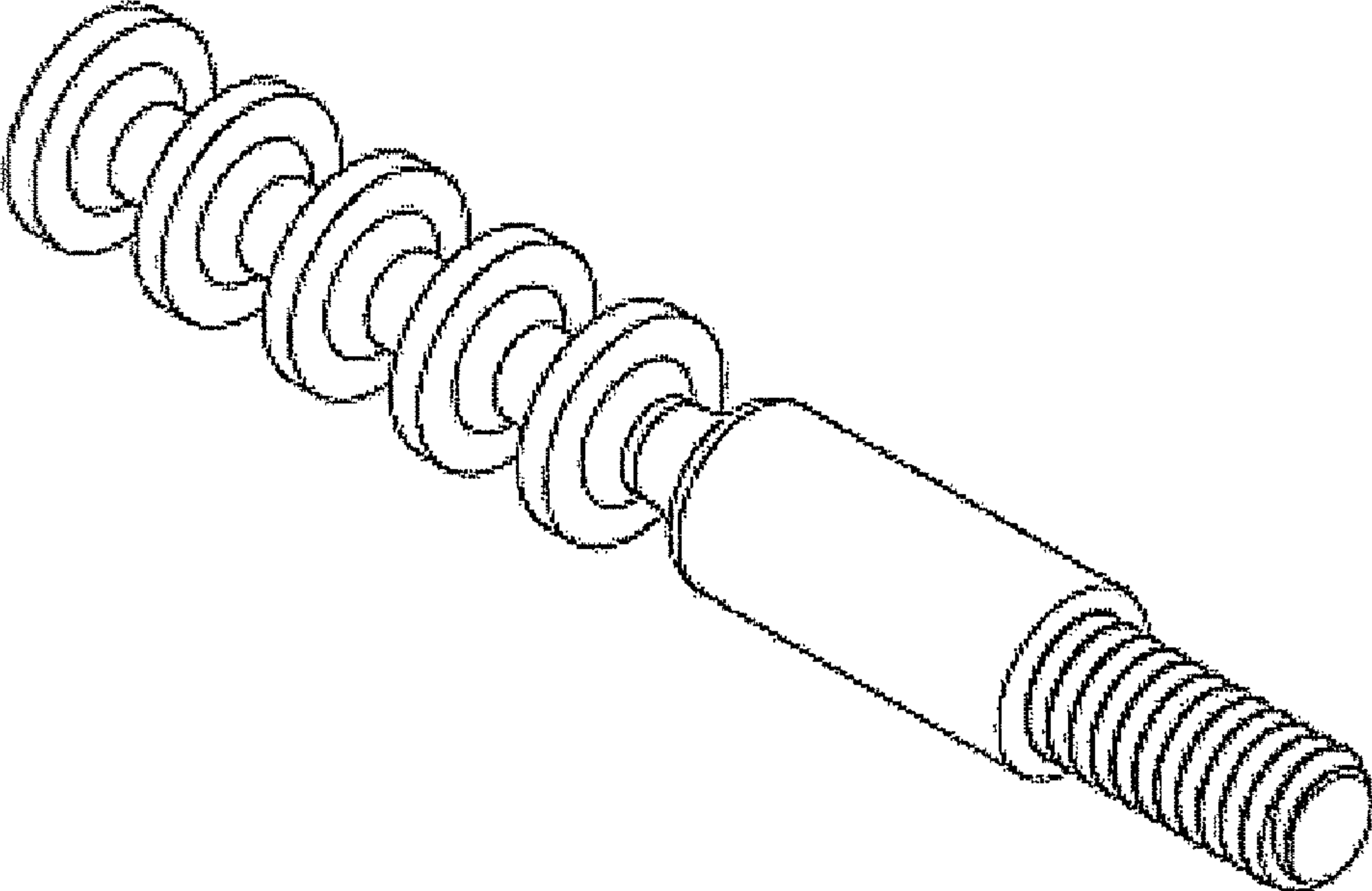
**FIG. 4**



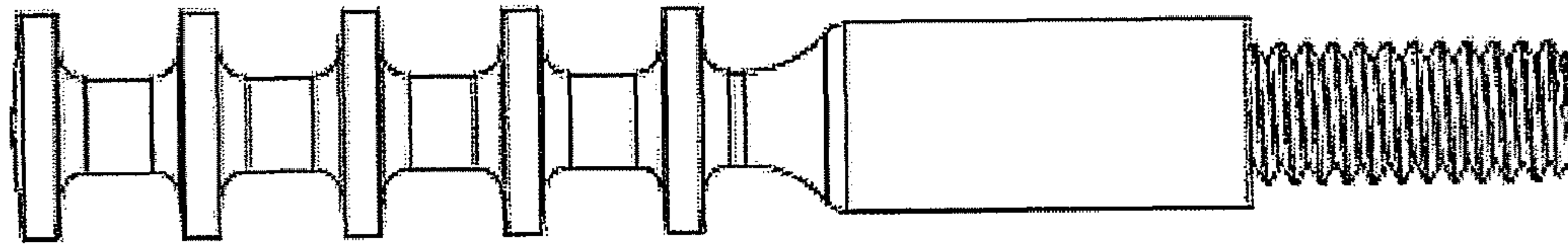
**FIG. 5**



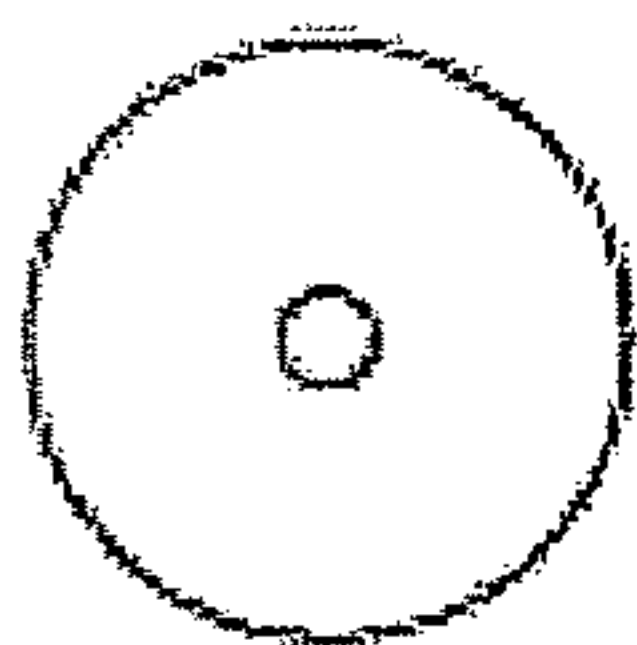
**FIG. 6**



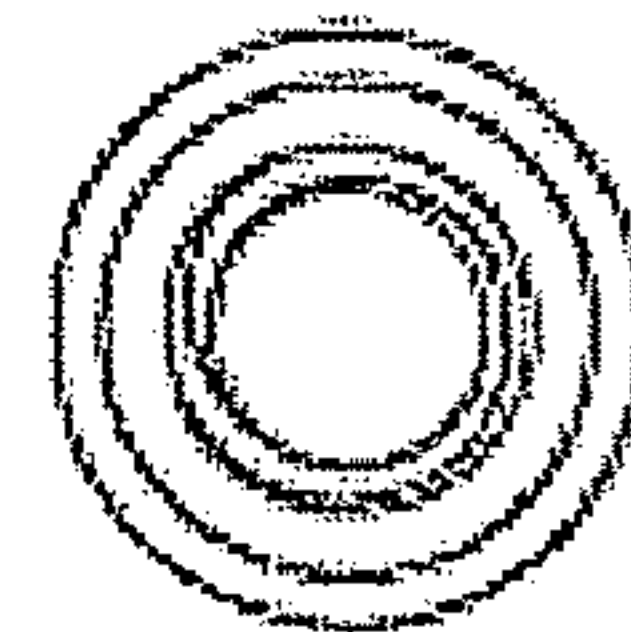
**FIG. 7**



**FIG. 8**



**FIG. 9**



**FIG. 10**