

US00D651682S

(12) **United States Design Patent**
Beckett et al.

(10) **Patent No.:** **US D651,682 S**
(45) **Date of Patent:** **** Jan. 3, 2012**

- (54) **OPTICAL SIGHT RETICLE**
- (75) Inventors: **Patrick Beckett**, Greeley, CO (US); **Sky Leighton**, Firestone, CO (US)
- (73) Assignee: **Burriss Company**, Greeley, CO (US)
- (**) Term: **14 Years**
- (21) Appl. No.: **29/378,476**
- (22) Filed: **Nov. 4, 2010**
- (51) **LOC (9) Cl.** **22-01**
- (52) **U.S. Cl.** **D22/109**
- (58) **Field of Classification Search** D22/108;
33/227, 297, 298; D16/130-134; 42/111,
42/113, 130, 122, 124, 134-145; 235/414;
356/21, 139.02, 250, 251, 252, 29; 89/41,
89/19, 161, 200-204; 359/424, 428; D14/404
See application file for complete search history.

D530,775	S	*	10/2006	LaCorte	D22/108
D544,511	S		6/2007	Geurts		
D567,324	S	*	4/2008	Pride et al.	D22/109
D567,325	S	*	4/2008	Pride et al.	D22/109
D567,326	S	*	4/2008	Pride et al.	D22/109
D567,896	S	*	4/2008	Pride et al.	D22/109
D570,441	S	*	6/2008	Pride et al.	D22/109
D587,333	S		2/2009	Peters et al.		
7,603,804	B2	*	10/2009	Zaderey et al.	42/122
D609,769	S		2/2010	Lacorte		
D613,362	S		4/2010	Huber		
D613,363	S		4/2010	Huber		
2004/0016168	A1	*	1/2004	Thomas et al.	42/122
2005/0005495	A1	*	1/2005	Smith	42/122
2005/0229468	A1	*	10/2005	Zaderey et al.	42/122
2007/0044364	A1	*	3/2007	Sammur et al.	42/122
2008/0098640	A1	*	5/2008	Sammur et al.	42/122

* cited by examiner

Primary Examiner — T. Chase Nelson
Assistant Examiner — Michael Pratt
(74) *Attorney, Agent, or Firm* — Merchant & Gould PC

(56) **References Cited**

U.S. PATENT DOCUMENTS

3,190,003	A	*	6/1965	O'Brien	33/297
4,285,137	A	*	8/1981	Jennie	42/122
4,584,776	A	*	4/1986	Shepherd	42/122
D285,540	S	*	9/1986	Allen	D10/74
4,789,231	A	*	12/1988	Shimizu	359/422
D306,173	S	*	2/1990	Reese	D16/130
5,491,546	A	*	2/1996	Wascher et al.	356/4.03
D397,704	S	*	9/1998	Reese	D16/130
D403,686	S	*	1/1999	Reese	D16/130
5,920,995	A	*	7/1999	Sammur	42/122
6,032,374	A	*	3/2000	Sammur	42/122
6,357,158	B1	*	3/2002	Smith, III	42/122
D475,758	S	*	6/2003	Ishikawa	D22/108
6,591,537	B2	*	7/2003	Smith	42/122
D517,153	S	*	3/2006	Timm et al.	D22/109
D522,030	S	*	5/2006	Jenkinson	D16/130

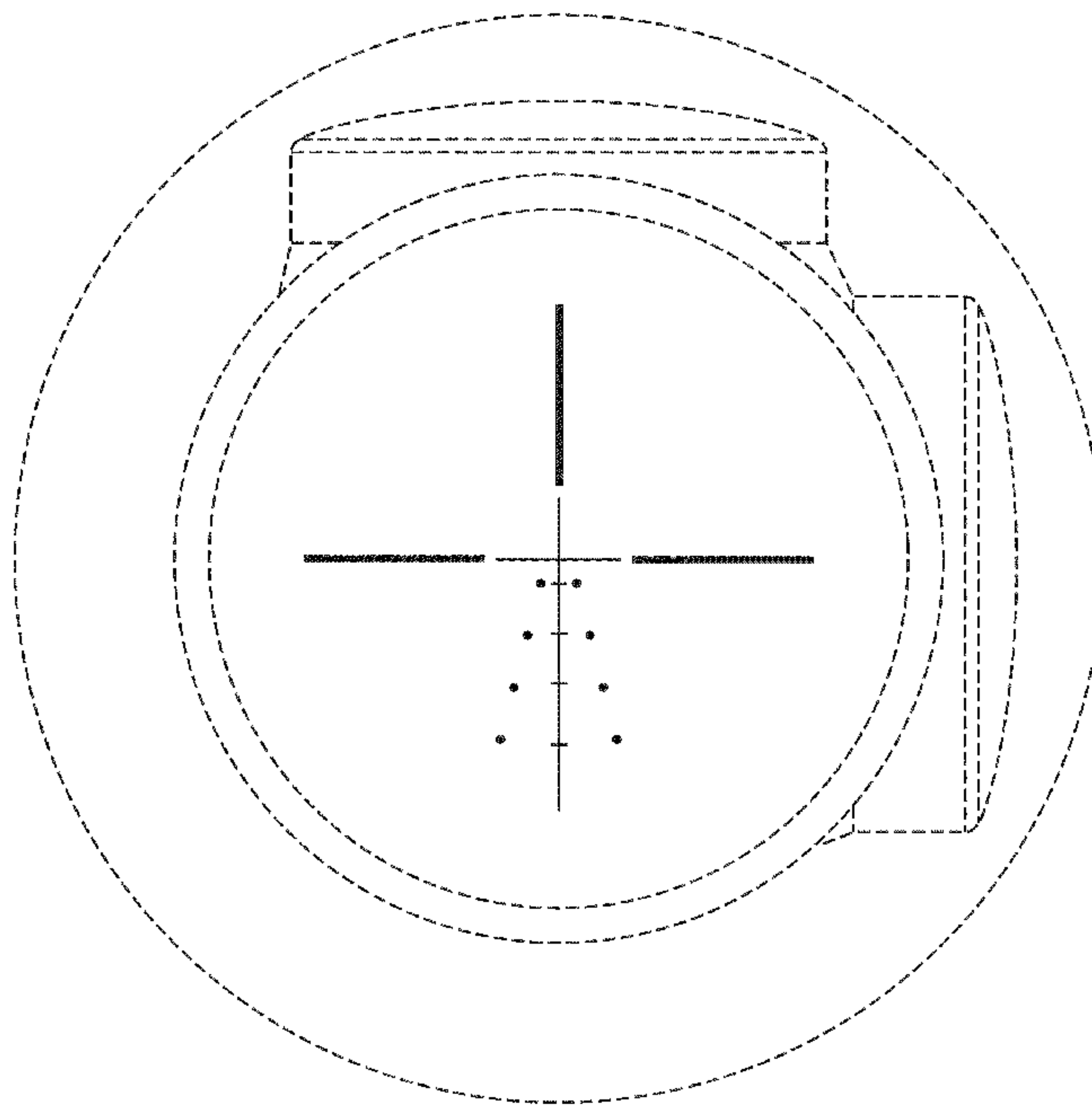
(57) **CLAIM**

The ornamental design for an optical sight reticle, as shown and described.

DESCRIPTION

FIG. 1 is a view of an optical sight reticle for an aimed device, as viewed through an eyepiece end of a rifle scope; and FIG. 2 is a view of another embodiment of an optical sight reticle for an aimed device, as viewed through an eyepiece end of a rifle scope; and, FIG. 3 is a perspective view showing an environment of use for the reticle of FIGS. 1 and 2. In FIGS. 1-3, the dashed lines indicate environmental features that form no part of the claimed invention.

1 Claim, 3 Drawing Sheets



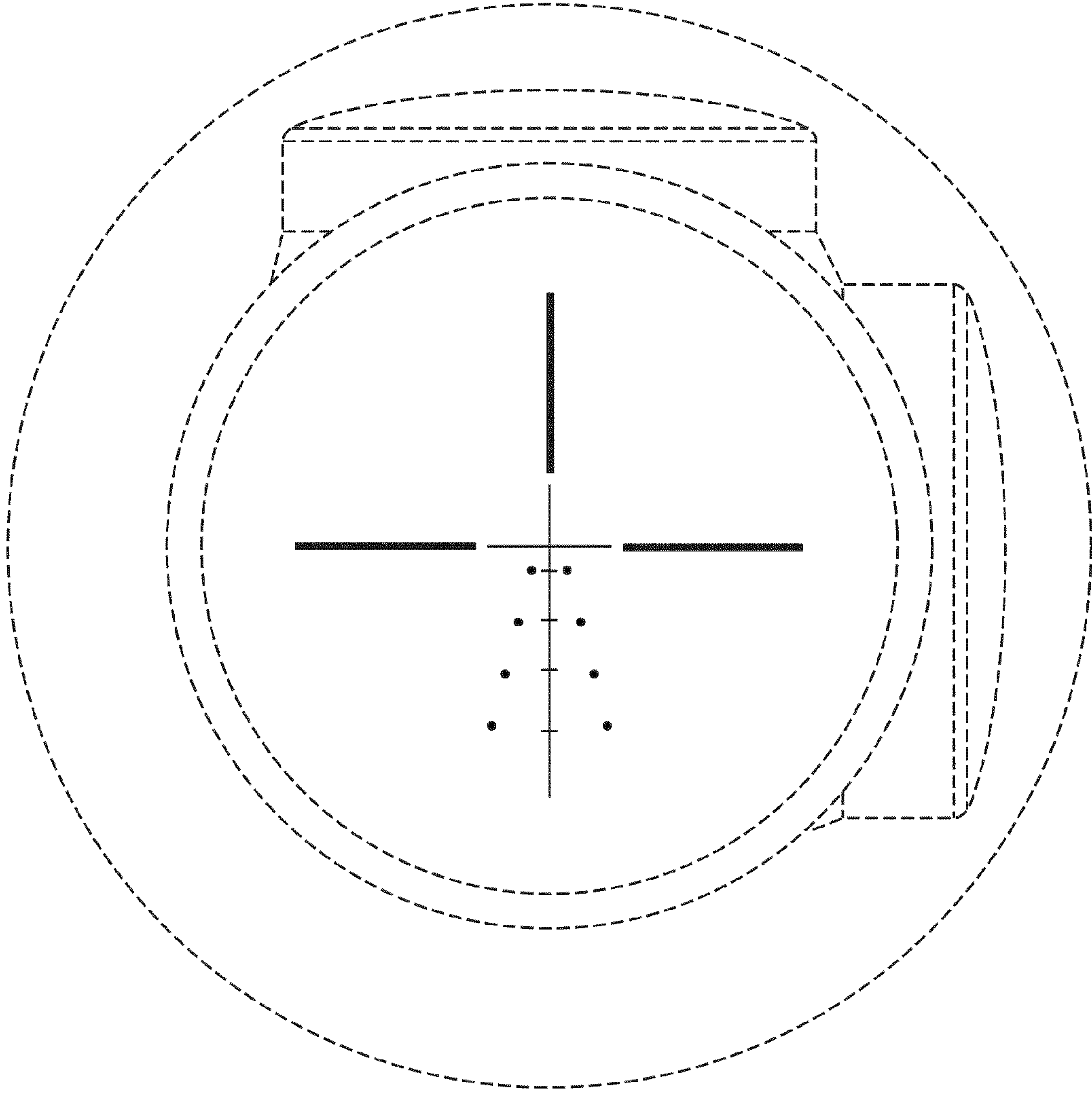


FIG. 1

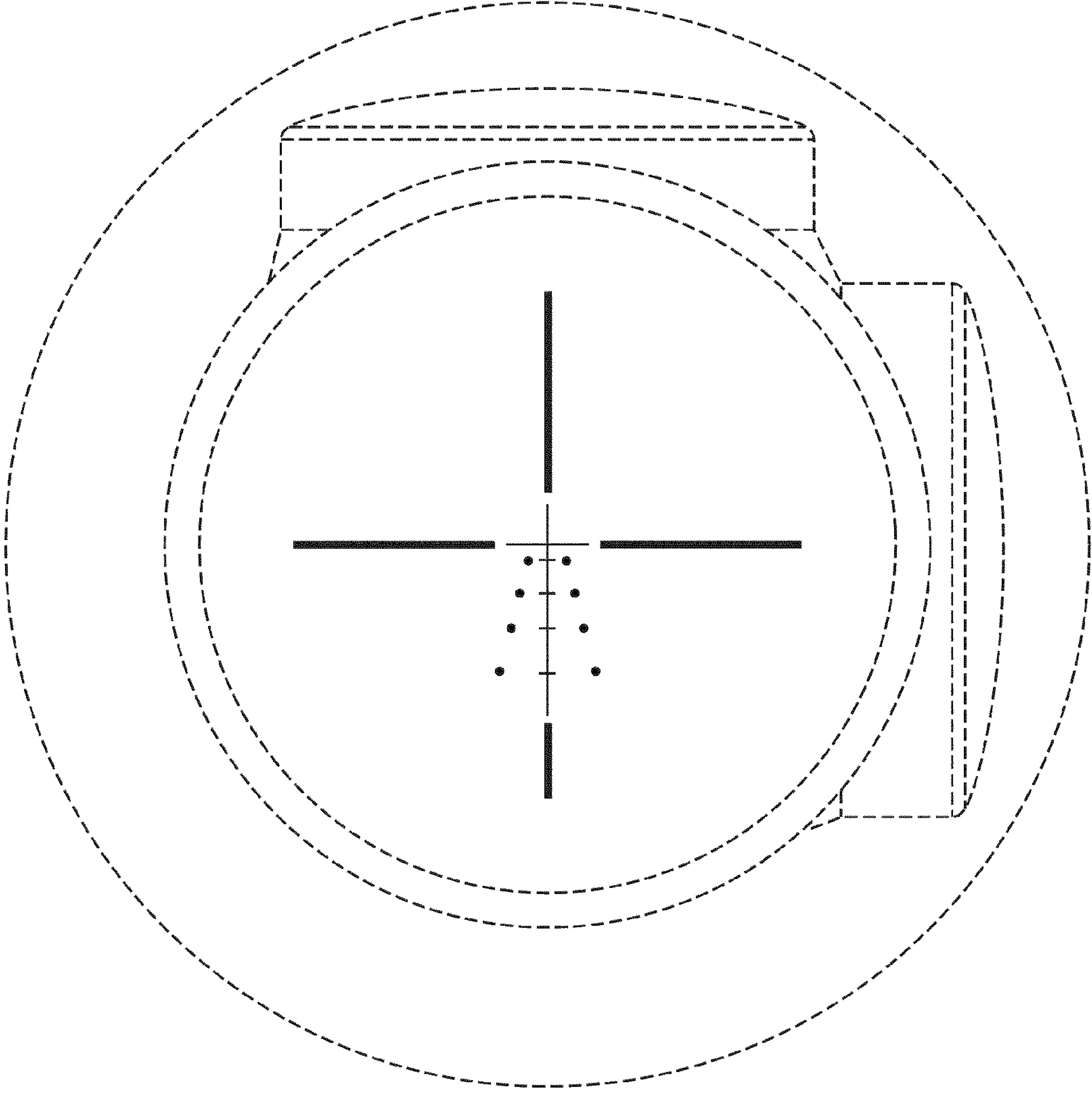


FIG. 2

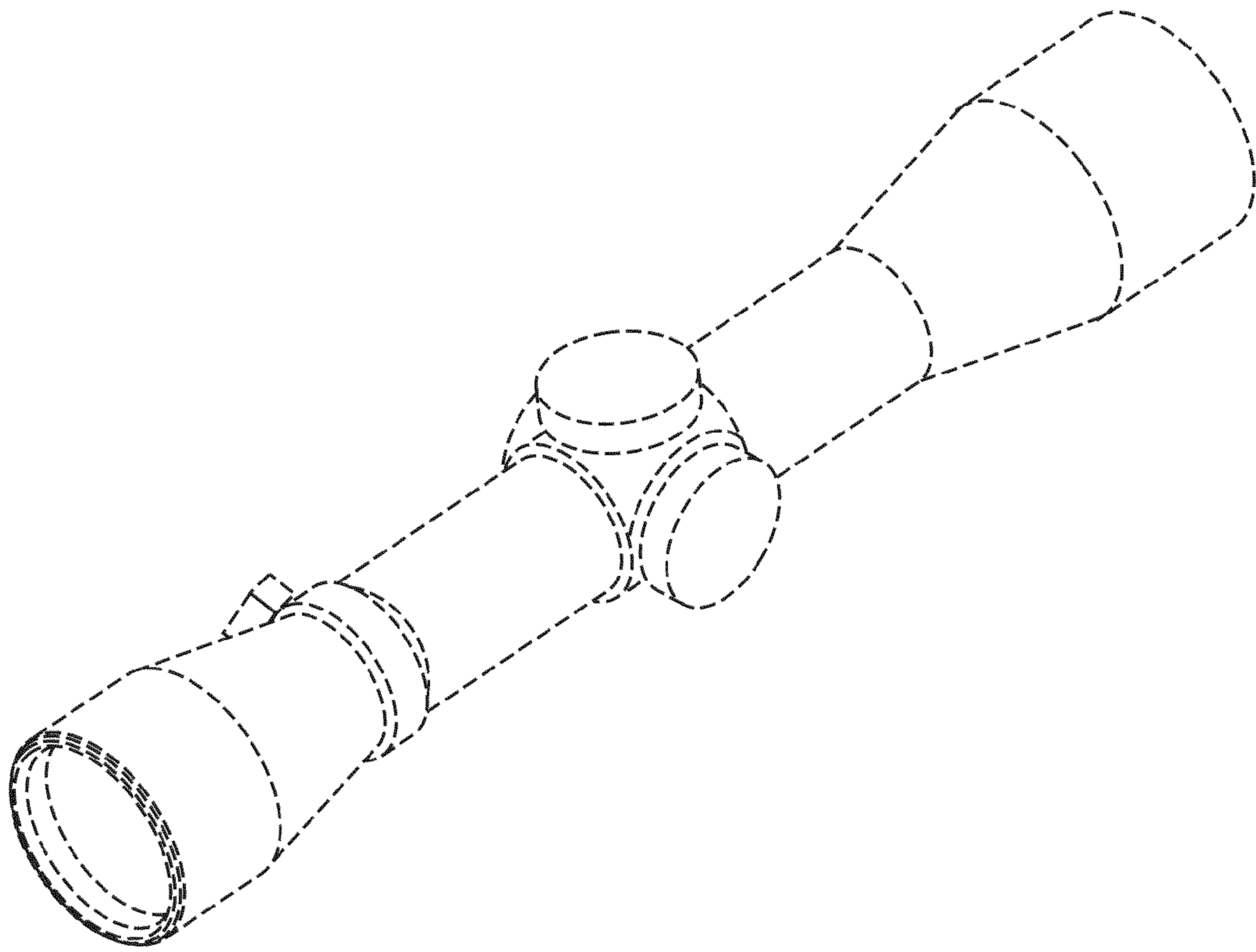


FIG. 3