

US00D651681S

(12) **United States Design Patent**
Vestling et al.

(10) **Patent No.:** **US D651,681 S**

(45) **Date of Patent:** **** Jan. 3, 2012**

(54) **GUN SIGHT**

(75) Inventors: **Niklas Vestling**, Norrköping (SE);
Tobias Vestling, Norrköping (SE)

(73) Assignee: **Nitoves AB**, Norrköping (SE)

(**) Term: **14 Years**

(21) Appl. No.: **29/362,505**

(22) Filed: **May 26, 2010**

(30) **Foreign Application Priority Data**

Nov. 26, 2009 (EM) 001182422

(51) **LOC (9) Cl.** **22-01**

(52) **U.S. Cl.** **D22/109**

(58) **Field of Classification Search** D22/108-110,
D22/199; 89/200-204; 359/399, 823, 744;
42/104, 105, 111-113, 116, 120, 124-126,
42/127-129, 141-148, 133-140; 33/227,
33/229; D8/395, 396

See application file for complete search history.

(56) **References Cited**

U.S. PATENT DOCUMENTS

2,058,305 A * 10/1936 Forsling 42/143
2,433,909 A * 1/1948 Jefferies 42/141
D151,408 S * 10/1948 Richards D22/109

3,368,454 A * 2/1968 Peck et al. 89/14.05
4,223,446 A * 9/1980 Villa 42/141
4,790,075 A * 12/1988 Howard, Sr. 42/130
D347,164 S * 5/1994 Wodka D8/395

* cited by examiner

Primary Examiner — Michael Pratt

(74) *Attorney, Agent, or Firm* — Young & Thompson

(57) **CLAIM**

The ornamental design for a gun sight, as shown and described.

DESCRIPTION

FIG. 1 is a perspective view of a gun sight showing our new design;

FIG. 2 is a another perspective view thereof;

FIG. 3 is a rear elevational view thereof, the appearance of the side opposite that shown in FIG. 3 being identical thereto;

FIG. 4 is a side elevational view thereof, the appearance of the side opposite that shown in FIG. 4 being identical thereto; and

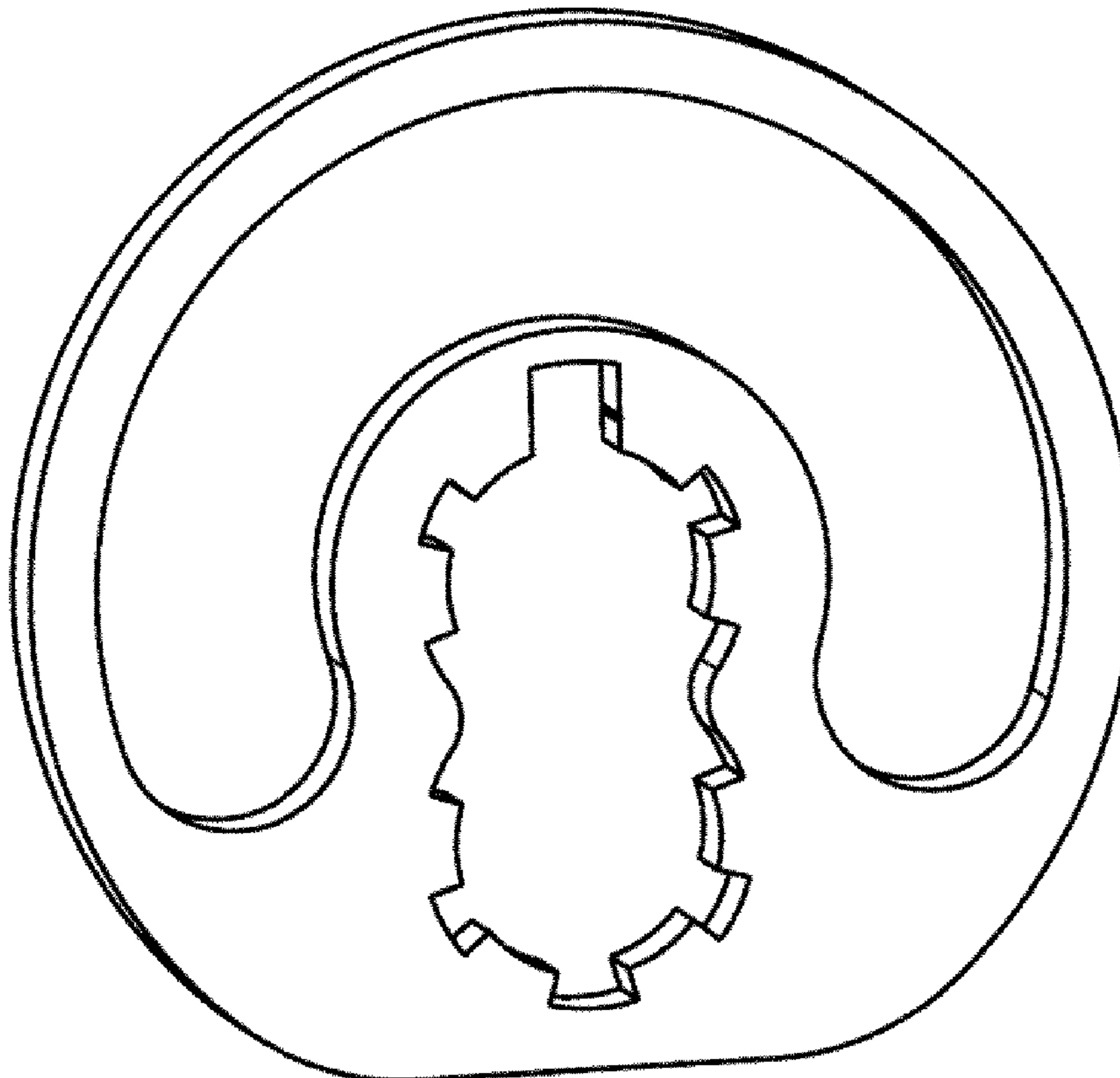
FIG. 5, is a perspective views showing the gun sight in use;

FIG. 6, is another perspective views showing the gun sight in use; and,

FIG. 7, is another perspective views showing the gun sight in use.

The material shown in broken lines forms no part of the claimed invention.

1 Claim, 2 Drawing Sheets



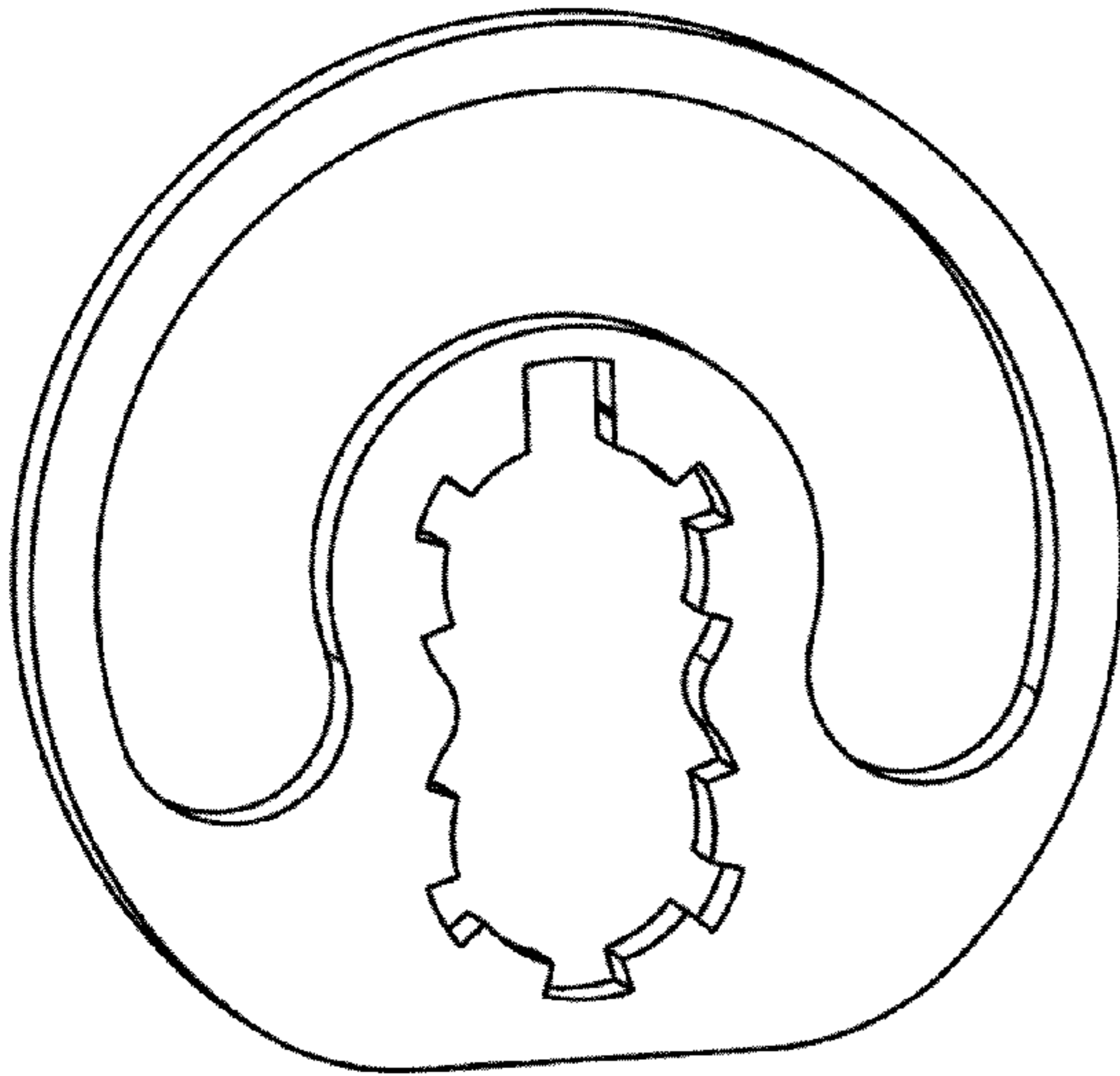


Figure 1

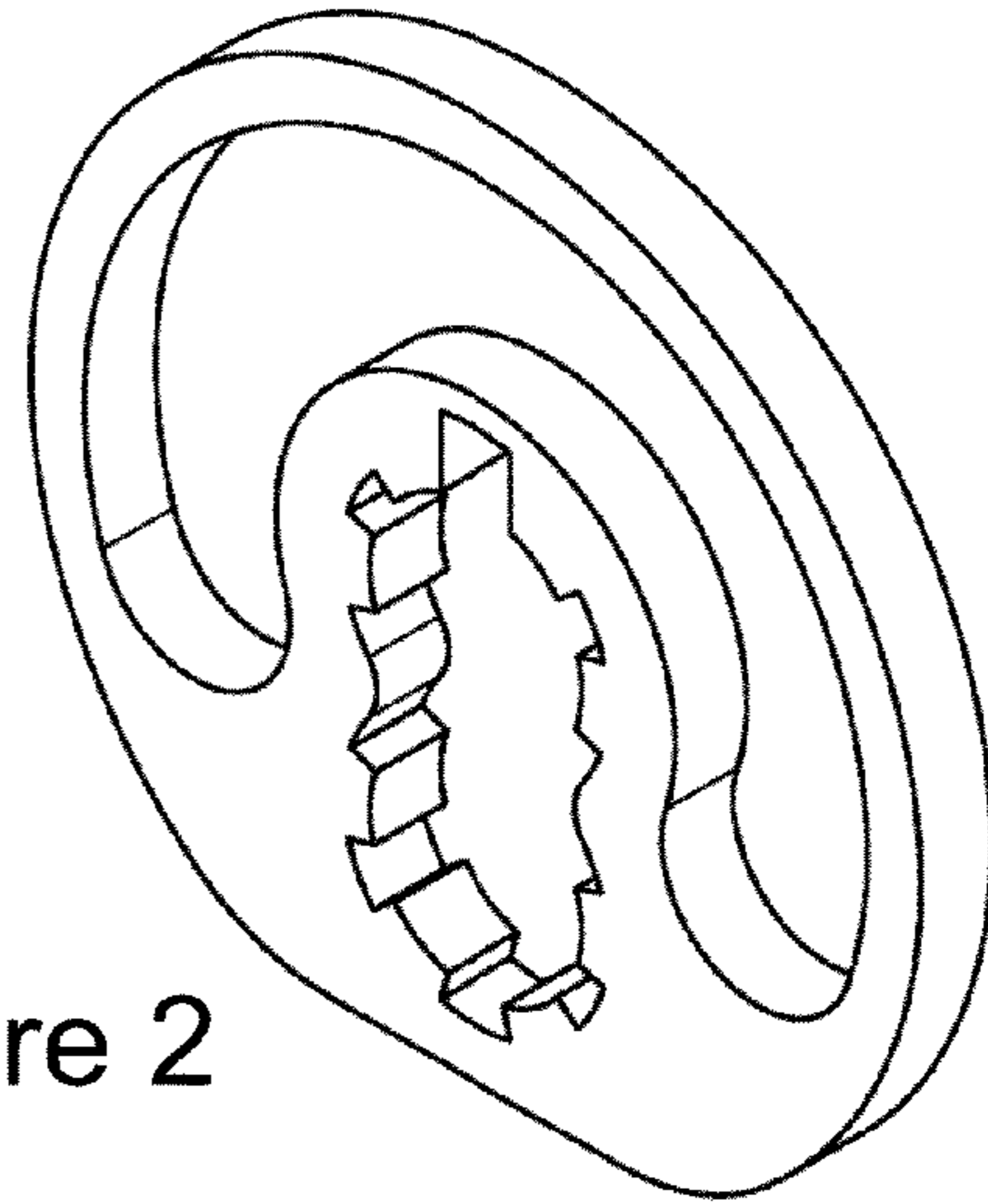


Figure 2

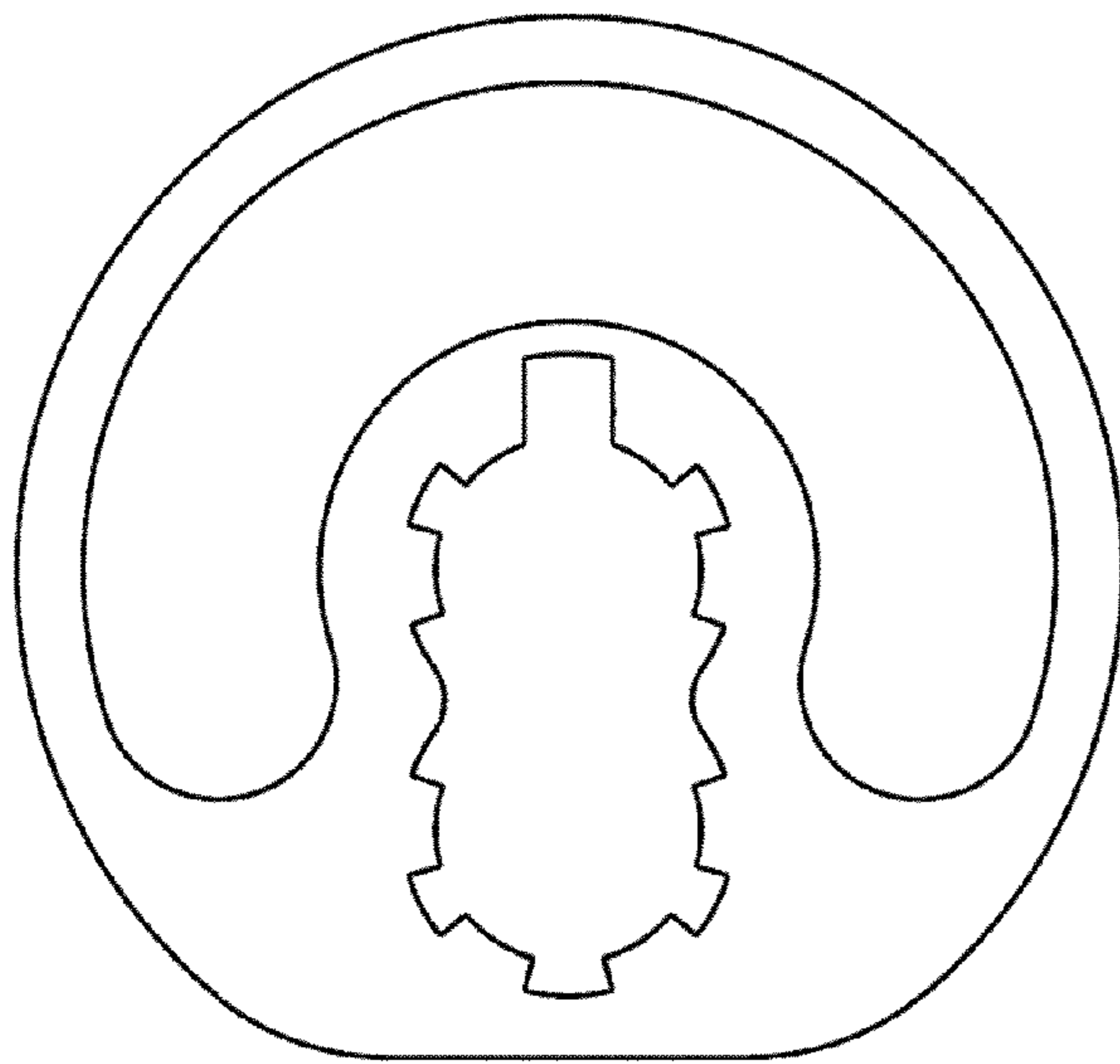


Figure 3



Figure 4

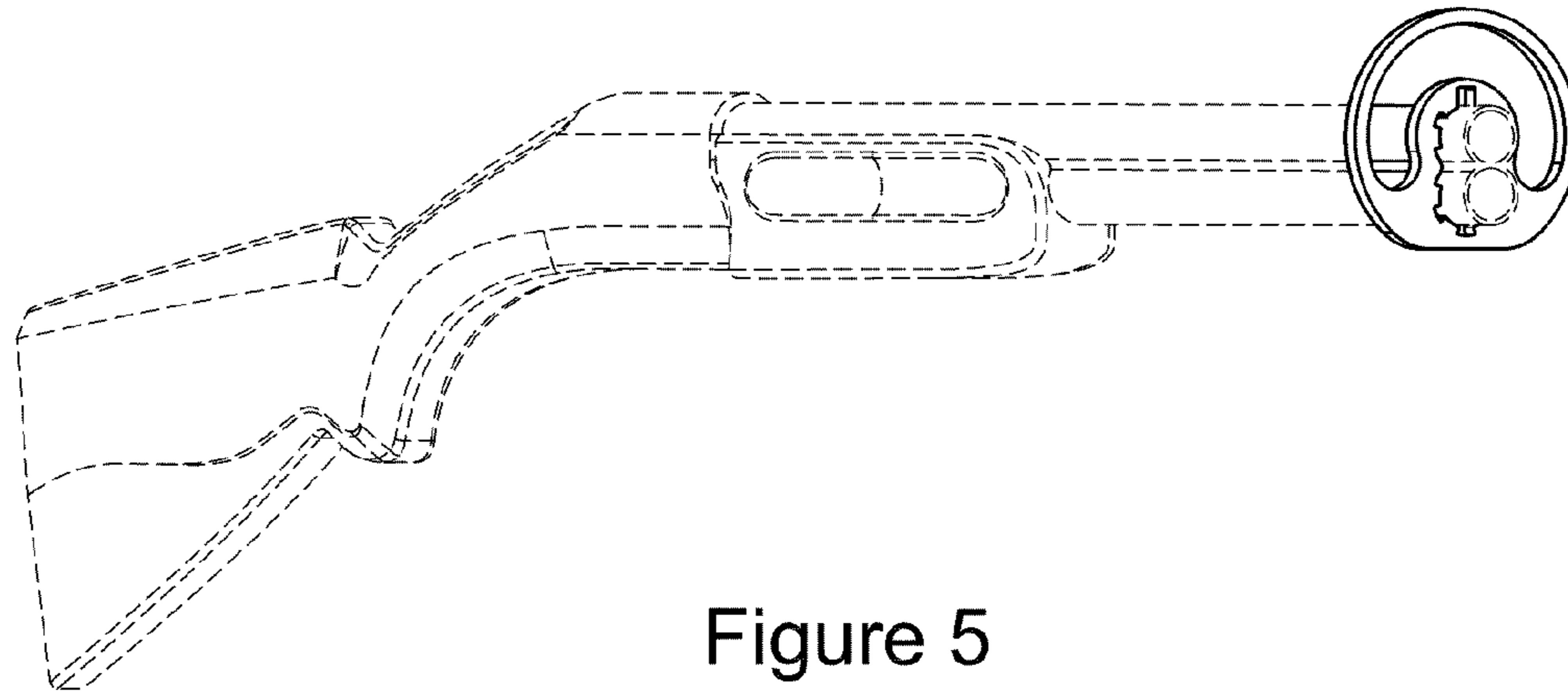


Figure 5

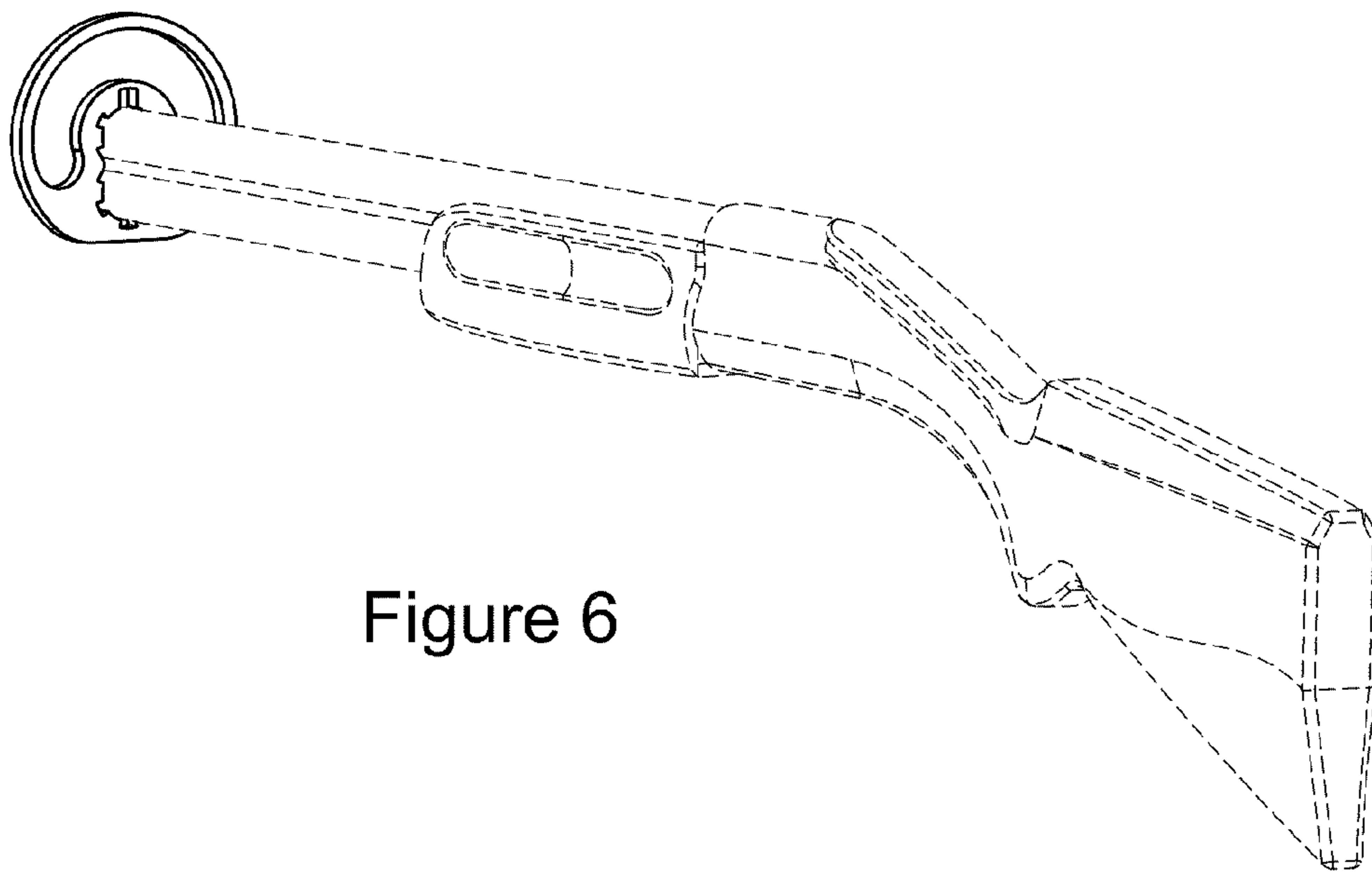


Figure 6

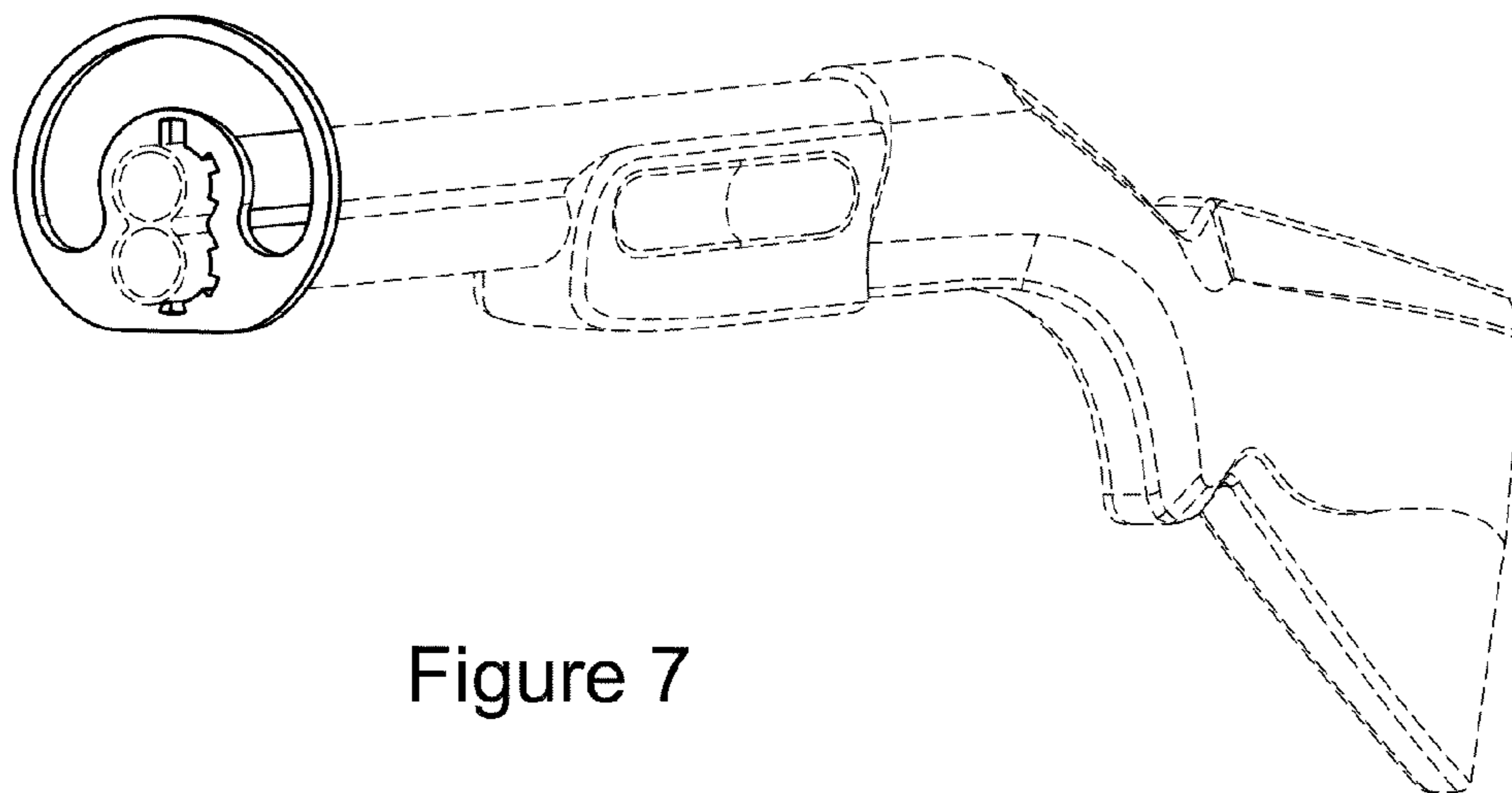


Figure 7