



US00D651679S

(12) **United States Design Patent**  
**Klug et al.**

(10) **Patent No.:** **US D651,679 S**  
(45) **Date of Patent:** **\*\* Jan. 3, 2012**

(54) **CARTRIDGE FOR AN ELECTRONIC CONTROL DEVICE**

(75) Inventors: **Scott L. Klug**, Mesa, AZ (US); **Jordan P Meyers**, Paradise Valley, AZ (US); **Steven N. D. Brundula**, Chandler, AZ (US)

(73) Assignee: **TASER International, Inc.**, Scottsdale, AZ (US)

(\*\*) Term: **14 Years**

(21) Appl. No.: **29/341,960**

(22) Filed: **Aug. 14, 2009**

(51) **LOC (9) Cl.** ..... **22-01**

(52) **U.S. Cl.** ..... **D22/108**

(58) **Field of Classification Search** ..... D22/104,  
D22/108, 117; 361/232; 102/438, 293, 439,  
102/502, 430, 447, 448, 469; 124/57, 59;  
222/5; 89/1.11; 42/1.01, 1.08, 84; 362/109,  
362/119; 463/47.3, 47.4

See application file for complete search history.

(56) **References Cited**

U.S. PATENT DOCUMENTS

4,274,123 A \* 6/1981 Rogers, Jr. .... 361/232  
D570,948 S \* 6/2008 Cerovic et al. .... D22/108  
7,444,939 B2 \* 11/2008 McNulty et al. .... 102/502

\* cited by examiner

*Primary Examiner* — T. Chase Nelson

*Assistant Examiner* — Michael Pratt

(74) *Attorney, Agent, or Firm* — William R. Bachand

(57) **CLAIM**

The ornamental design for a cartridge for an electronic control device, as shown and described.

**DESCRIPTION**

FIG. 1 is a perspective view of a cartridge for an electronic control device, showing novel design, with the bottom, front, and right sides visible;

FIG. 2 is a front view of the cartridge of FIG. 1;

FIG. 3 is a rear view of the cartridge of FIG. 1;

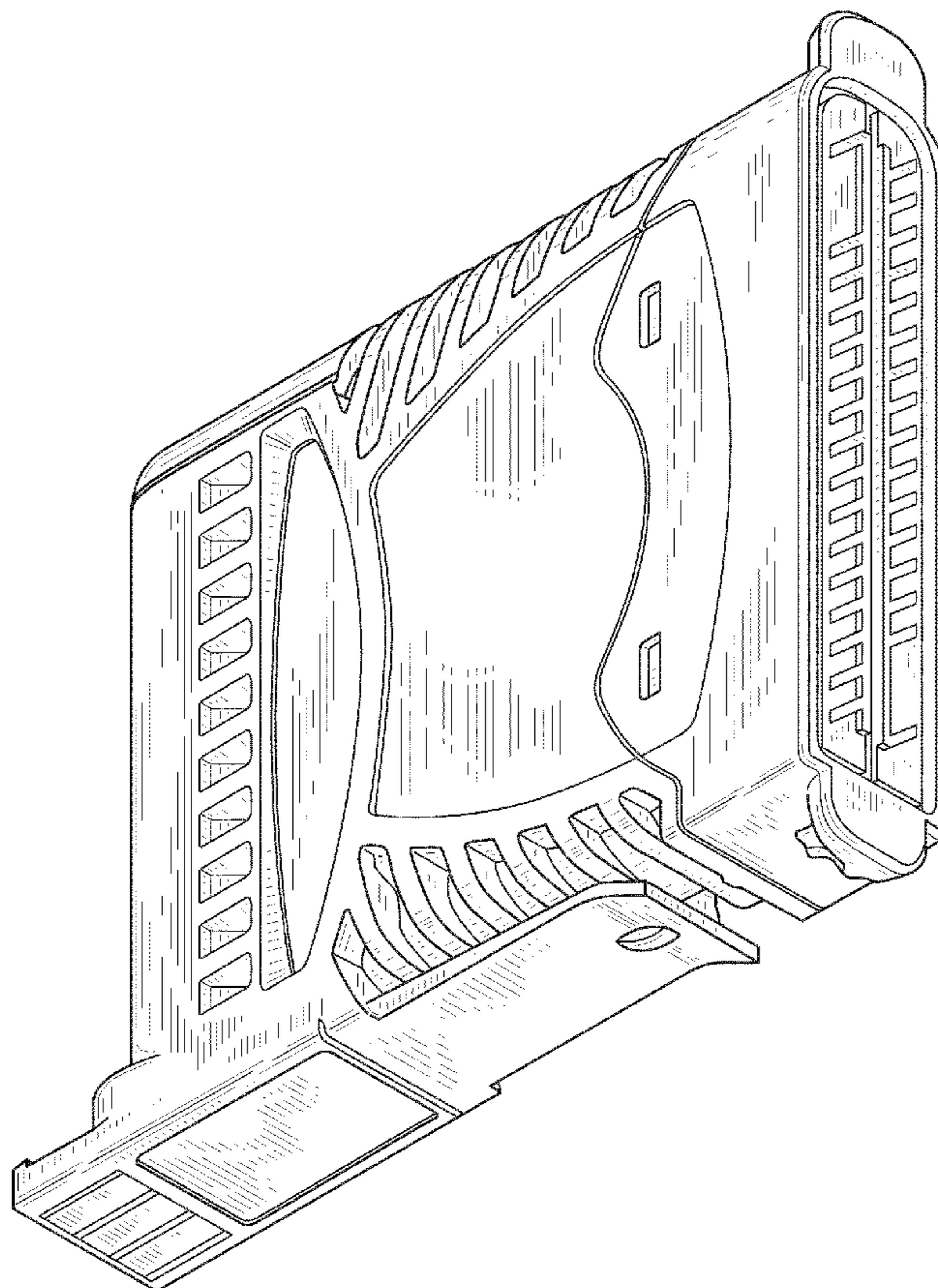
FIG. 4 is a left side view of the cartridge of FIG. 1 and is a mirror image of FIG. 5;

FIG. 5 is a right side view of the cartridge of FIG. 1;

FIG. 6 is a bottom view of the cartridge of FIG. 1, when oriented as in FIG. 5; and,

FIG. 7 is a top view of the cartridge of FIG. 1, when oriented as in FIG. 5.

**1 Claim, 6 Drawing Sheets**



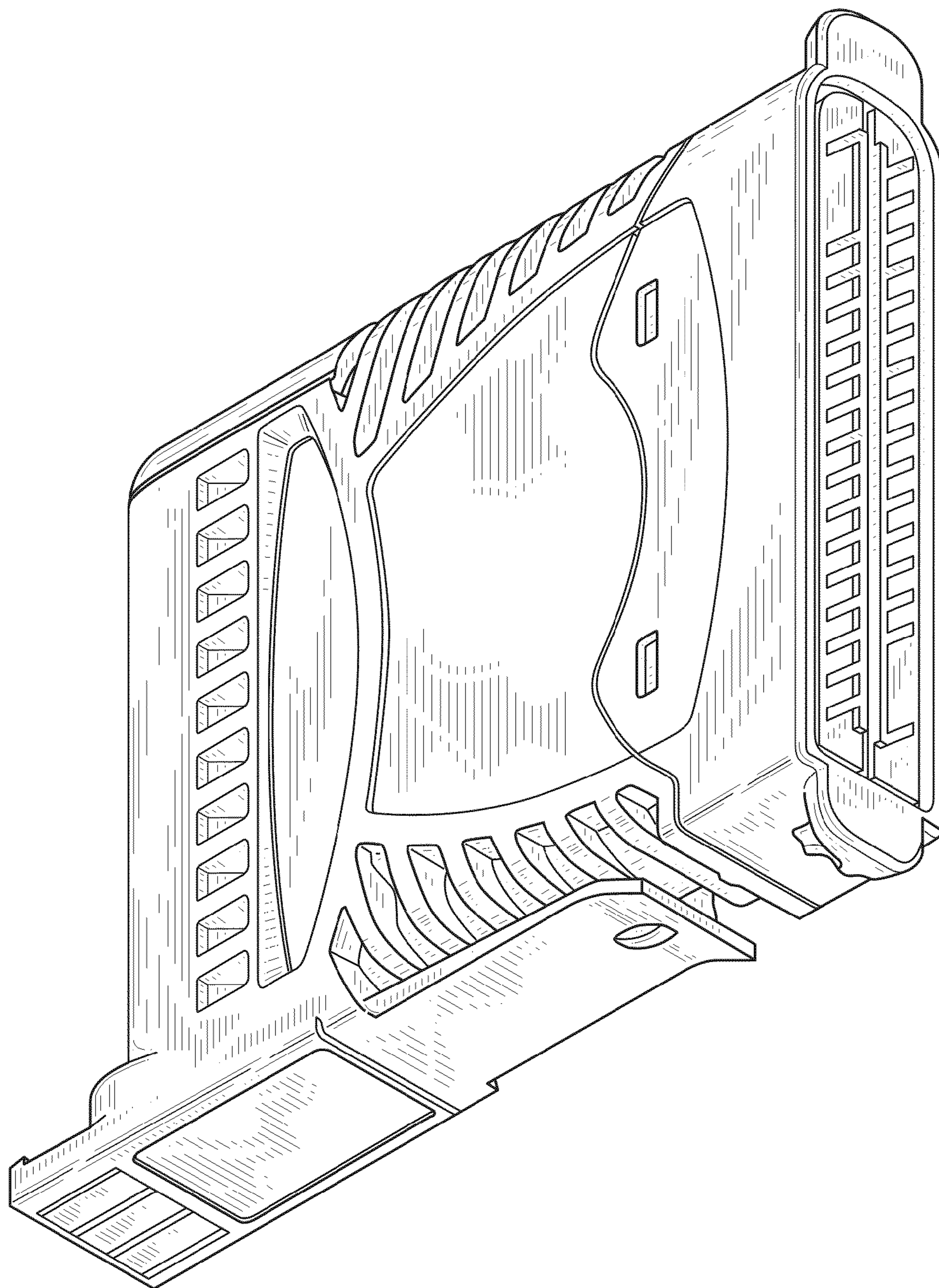


FIG. 1



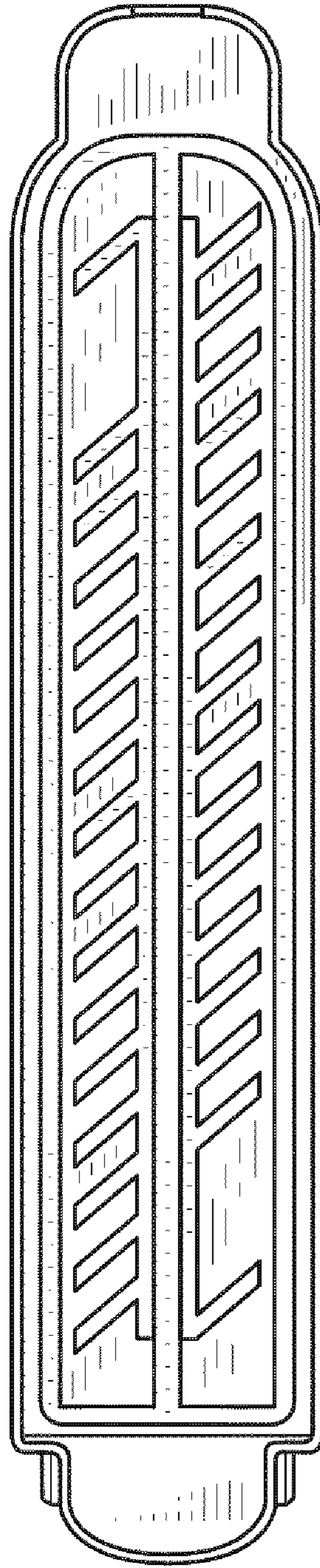


FIG. 2

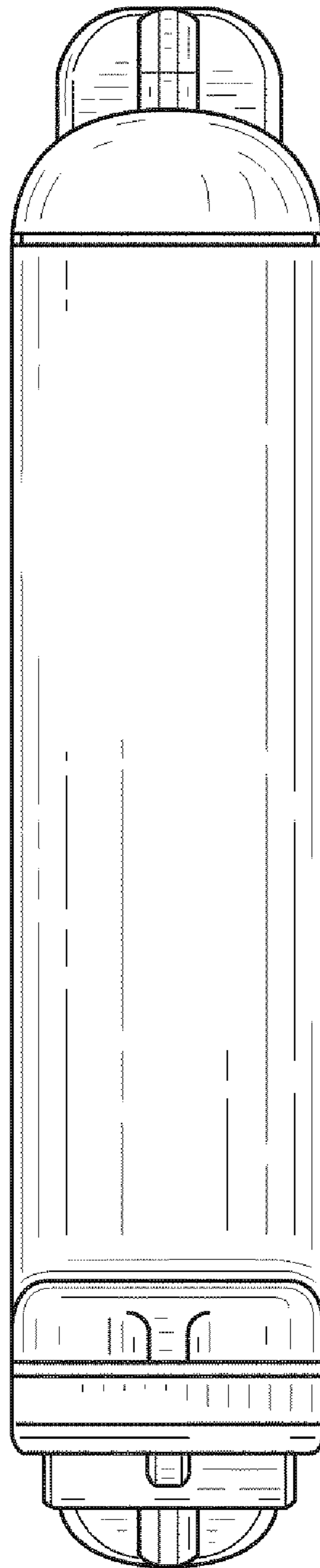


FIG. 3

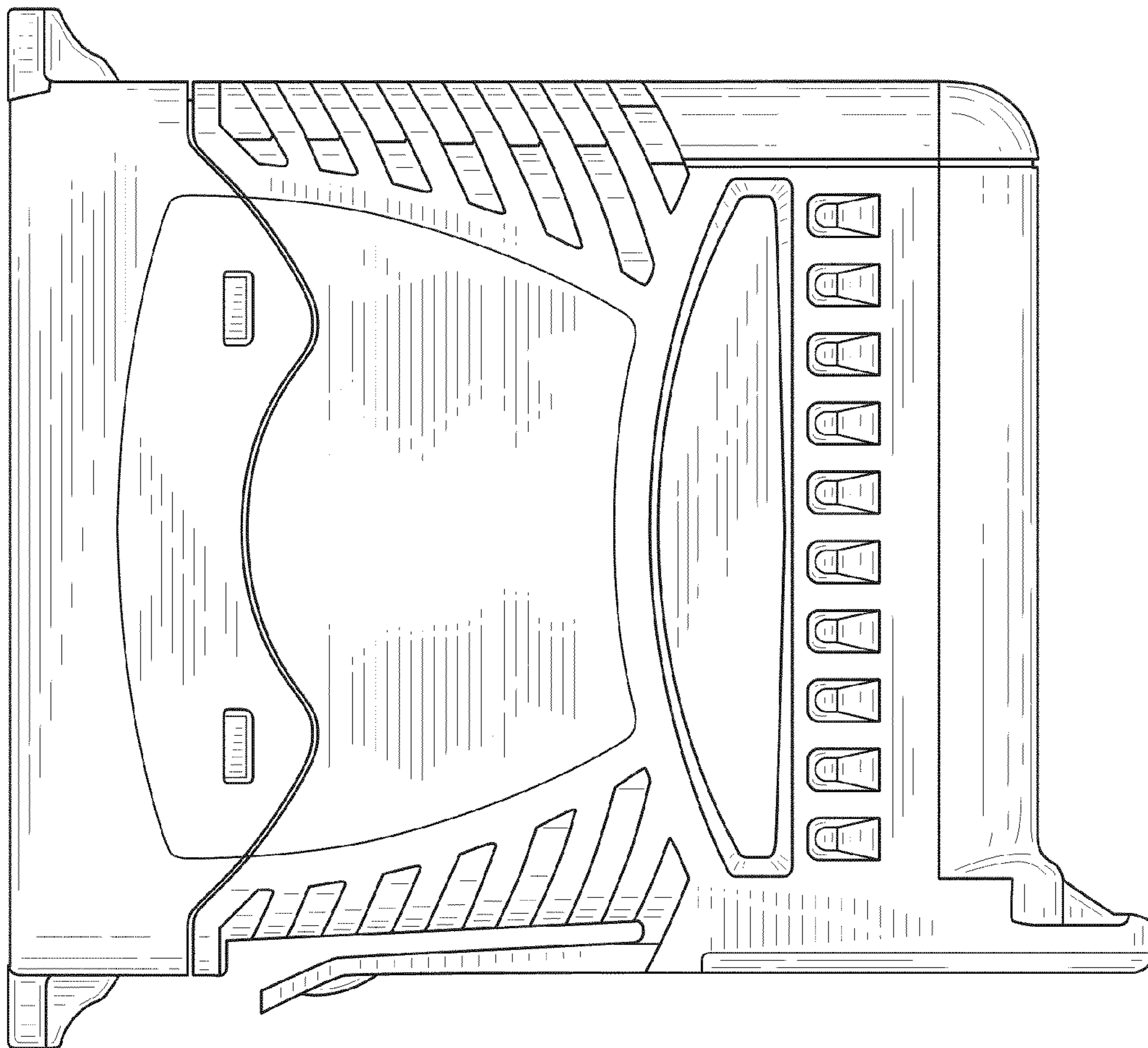


FIG. 4

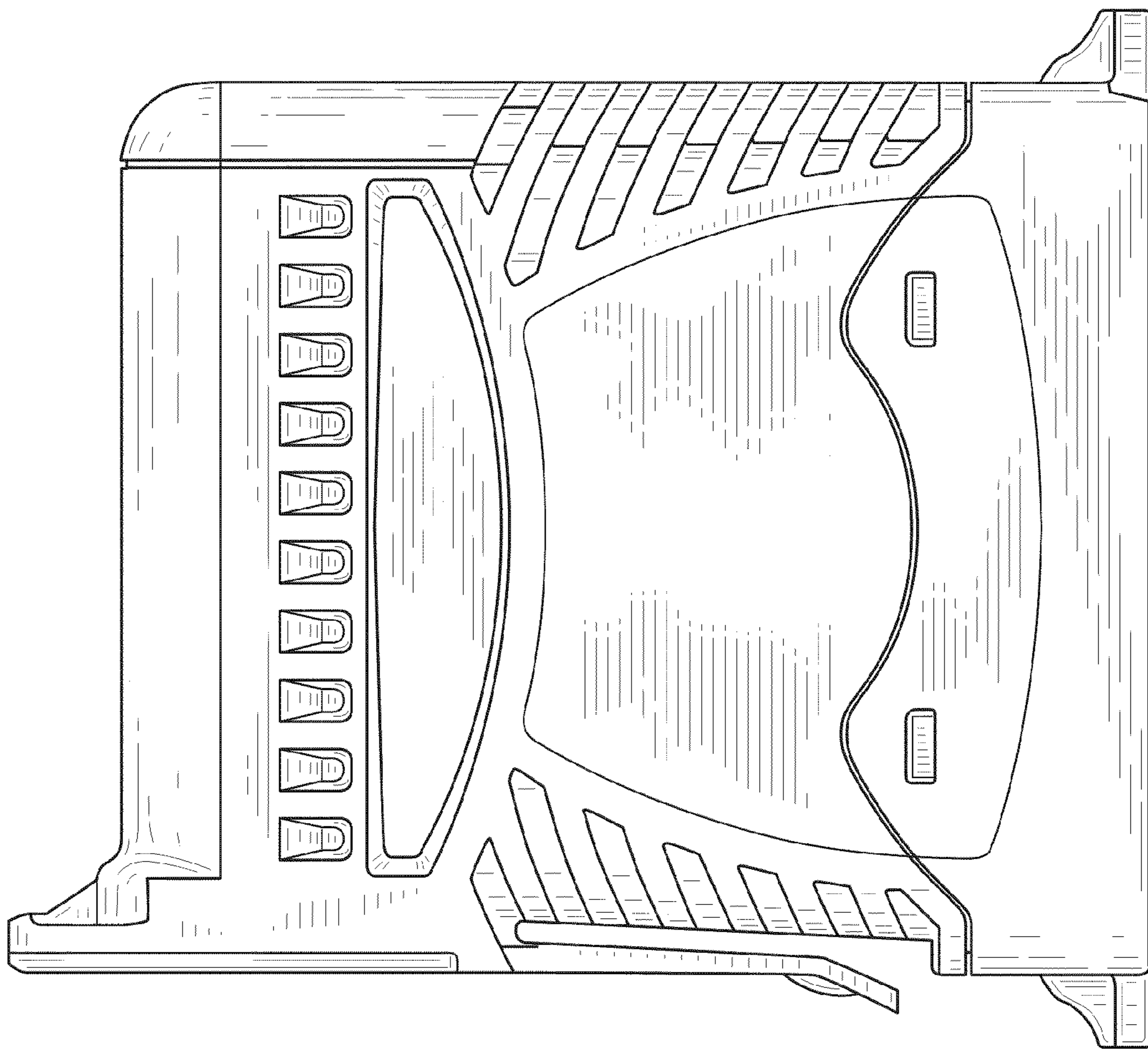


FIG. 5

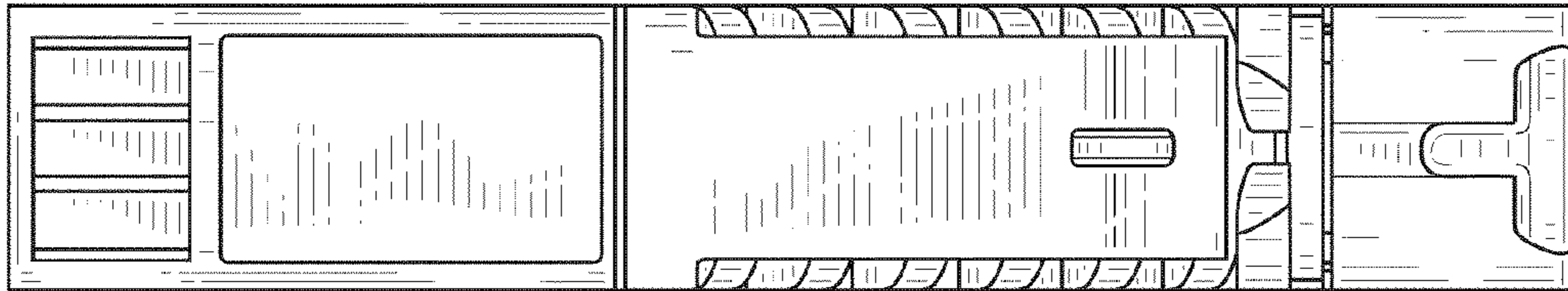


FIG. 6

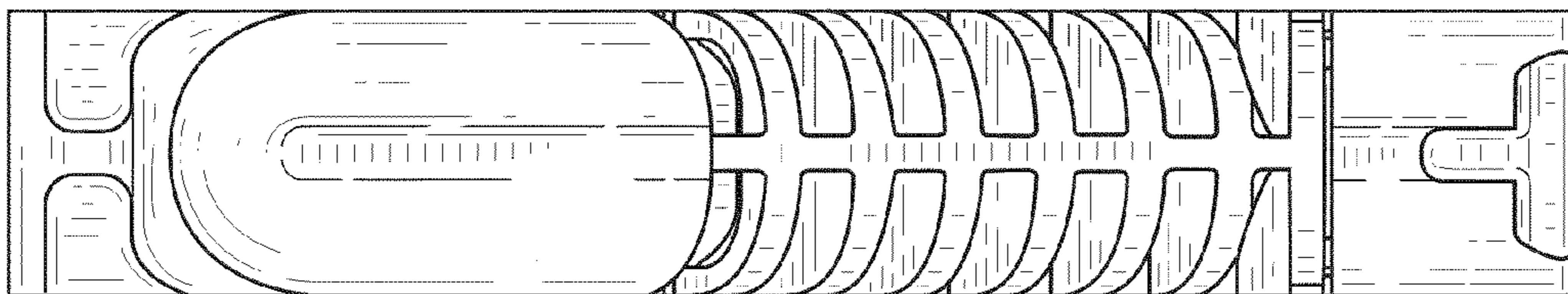


FIG. 7