

US00D651678S

(12) **United States Design Patent**  
**Mugleton**

(10) **Patent No.:** **US D651,678 S**

(45) **Date of Patent:** **\*\* Jan. 3, 2012**

(54) **TENT**

(76) **Inventor:** **Kevin G. Mugleton**, Denver, CO (US)

(\*\*) **Term:** **14 Years**

(21) **Appl. No.:** **29/389,543**

(22) **Filed:** **Apr. 13, 2011**

(51) **LOC (9) Cl.** ..... **21-04**

(52) **U.S. Cl.** ..... **D21/834; D12/402; D12/403**

(58) **Field of Classification Search** ..... D21/834,  
D21/836-839; D25/33, 64, 66, 67, 71, 56,  
D25/57; 135/87, 88.05, 88.06, 88.13, 90,  
135/93, 94, 96-99, 115, 117, 121, 124-128,  
135/132, 133, 135, 138, 143, 157, 900, 908;  
296/159-161; D12/401, 402, 403, 404; 52/79.1  
See application file for complete search history.

(56) **References Cited**

**U.S. PATENT DOCUMENTS**

|           |     |         |                |       |           |
|-----------|-----|---------|----------------|-------|-----------|
| 3,171,417 | A * | 3/1965  | Stokes         | ..... | 135/132   |
| D205,749  | S * | 9/1966  | Moss           | ..... | D21/834   |
| 4,242,846 | A * | 1/1981  | Hurd et al.    | ..... | 52/71     |
| 4,800,701 | A * | 1/1989  | Dunsworth      | ..... | 52/66     |
| 4,984,399 | A * | 1/1991  | Taylor         | ..... | 52/64     |
| 5,094,257 | A * | 3/1992  | Wilson et al.  | ..... | 135/88.05 |
| D332,294  | S * | 1/1993  | Cantwell       | ..... | D21/834   |
| D340,689  | S * | 10/1993 | Wolcott et al. | ..... | D12/404   |
| 5,369,920 | A * | 12/1994 | Taylor         | ..... | 52/79.1   |

|           |      |        |                  |       |         |
|-----------|------|--------|------------------|-------|---------|
| D418,573  | S *  | 1/2000 | Ju               | ..... | D21/834 |
| D438,929  | S *  | 3/2001 | Middleton et al. | ..... | D21/834 |
| 6,349,732 | B1 * | 2/2002 | Cooper           | ..... | 135/133 |
| D493,505  | S *  | 7/2004 | Arthur           | ..... | D21/834 |
| D516,155  | S *  | 2/2006 | Goodwin et al.   | ..... | D21/834 |
| D630,286  | S *  | 1/2011 | Bell et al.      | ..... | D21/834 |

\* cited by examiner

*Primary Examiner* — Cynthia M Chin

(74) *Attorney, Agent, or Firm* — Crossley Patent Law; Mark A. Crossley

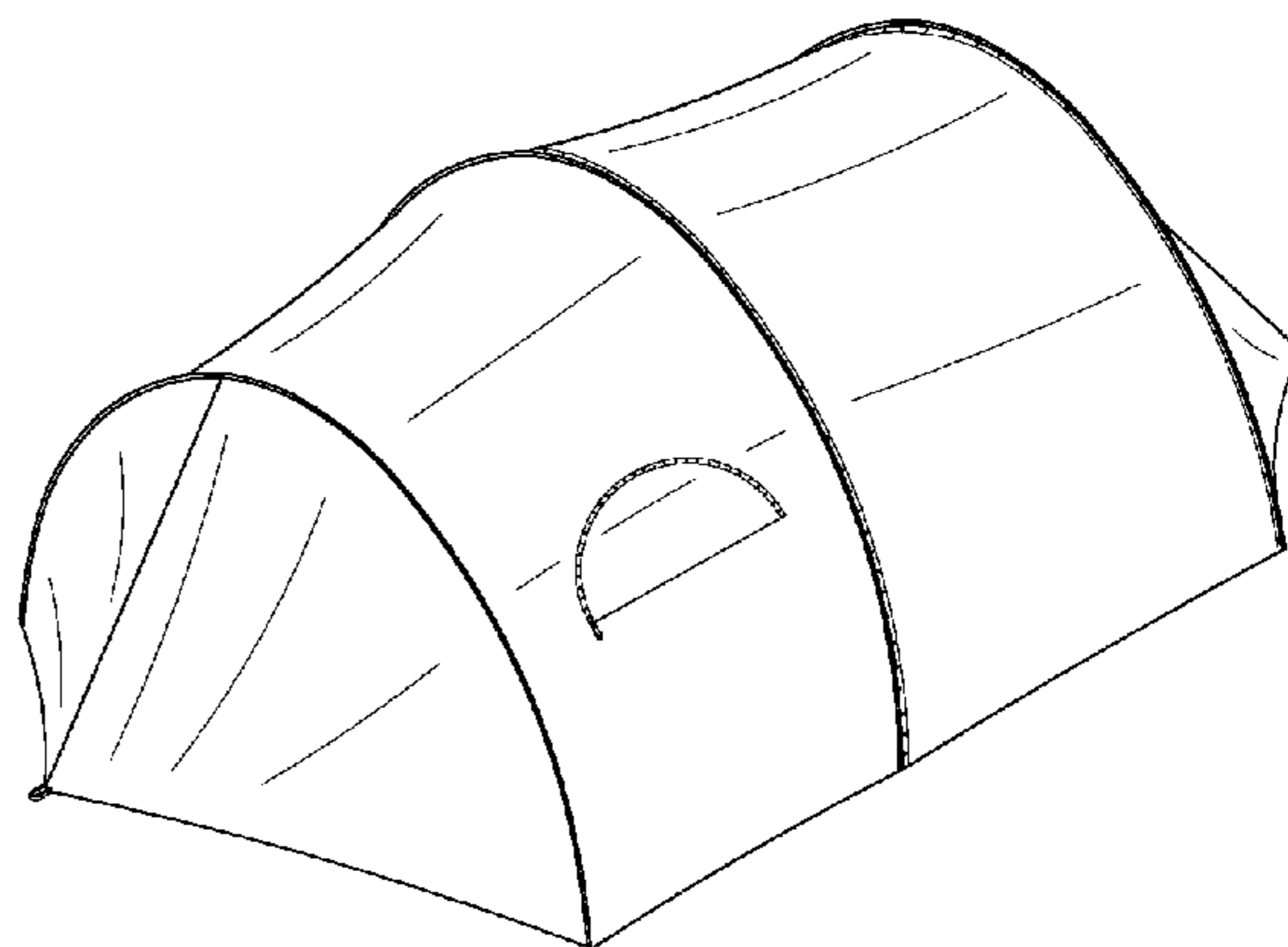
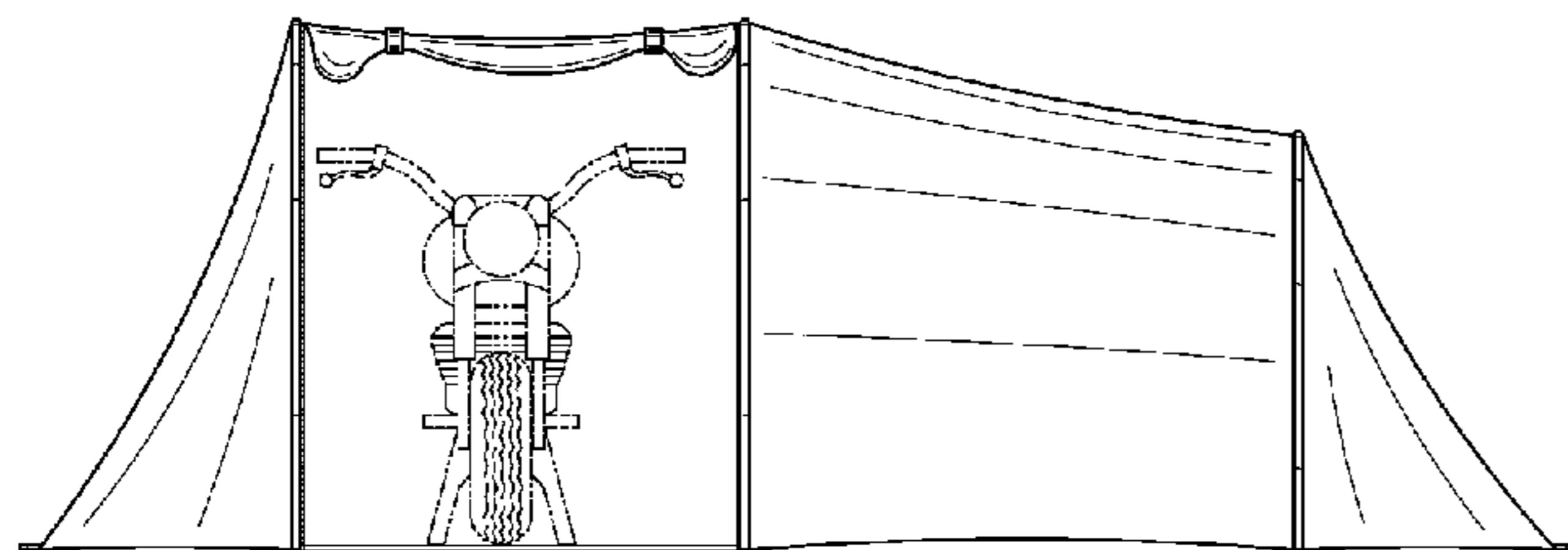
(57) **CLAIM**

The ornamental design for a tent, as shown and described.

**DESCRIPTION**

FIG. 1 is a front elevation view of a tent showing my new design;  
FIG. 2 is a rear elevation view thereof;  
FIG. 3 is a right elevation view thereof;  
FIG. 4 is a left elevation view thereof;  
FIG. 5 is a top plan view thereof;  
FIG. 6 is a bottom plan view thereof;  
FIG. 7 is a front elevation view thereof illustrating a door in an open position; and,  
FIG. 8 is an isometric view.  
The broken lines in FIG. 7 depict environmental subject matter only and form no part of the claimed design.

**1 Claim, 8 Drawing Sheets**



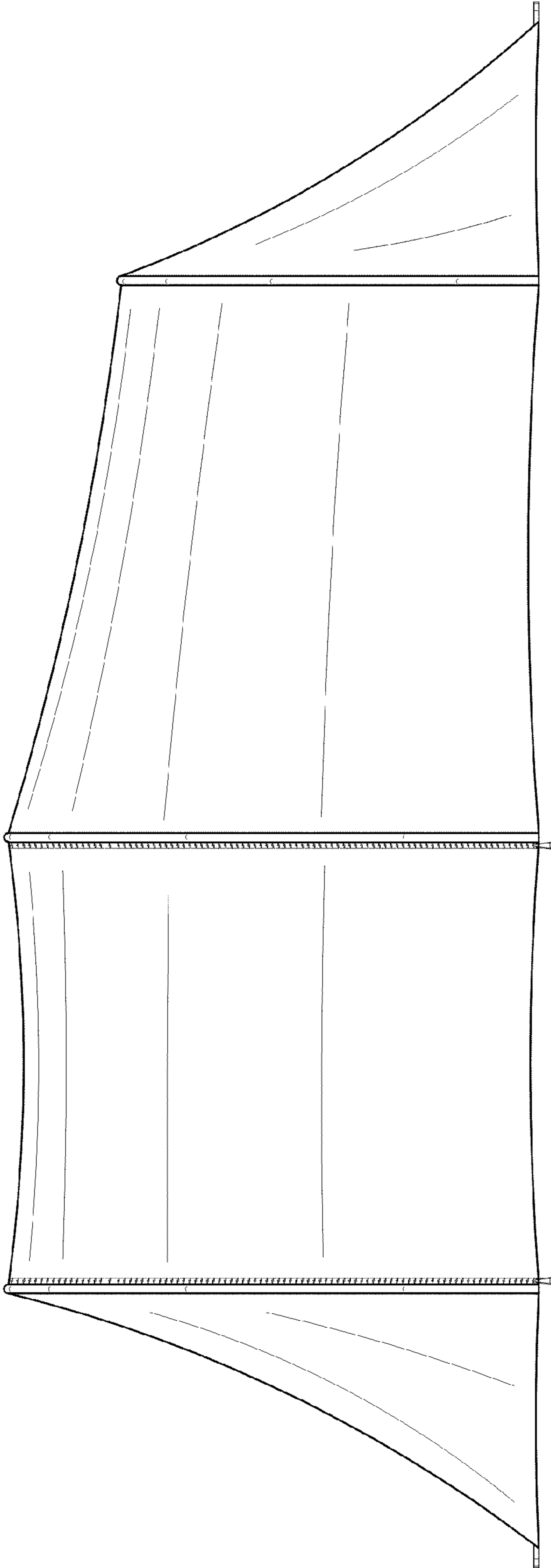


FIG. 1

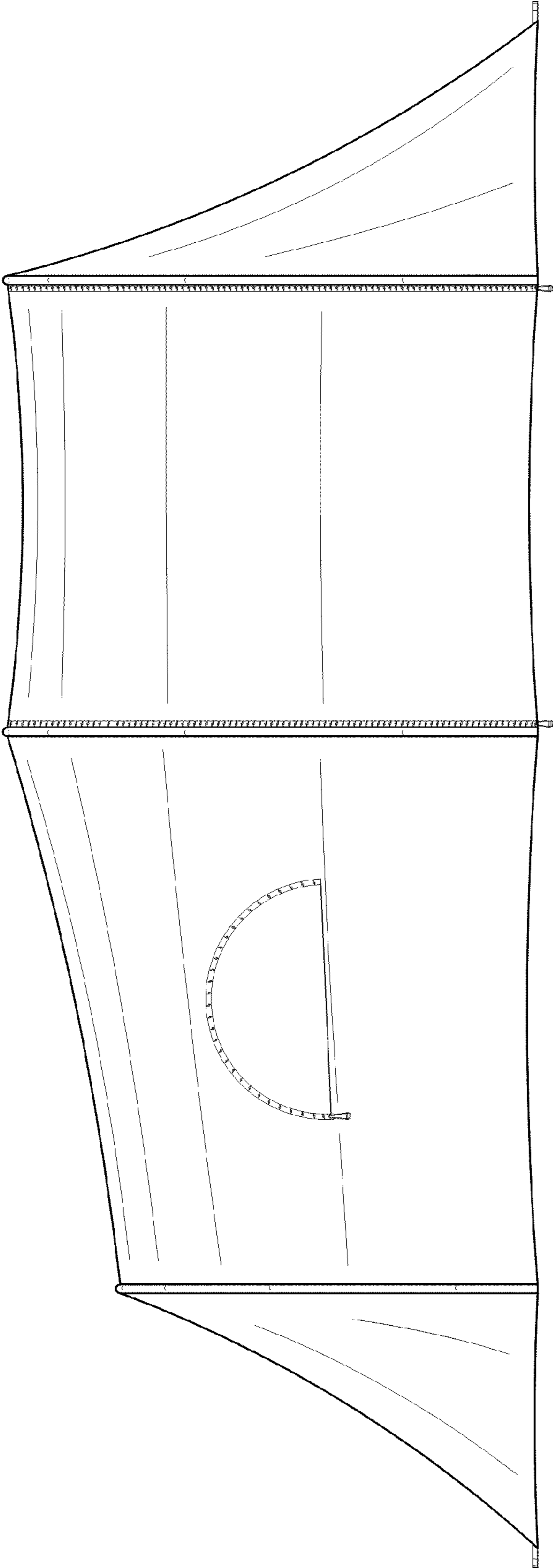


FIG. 2

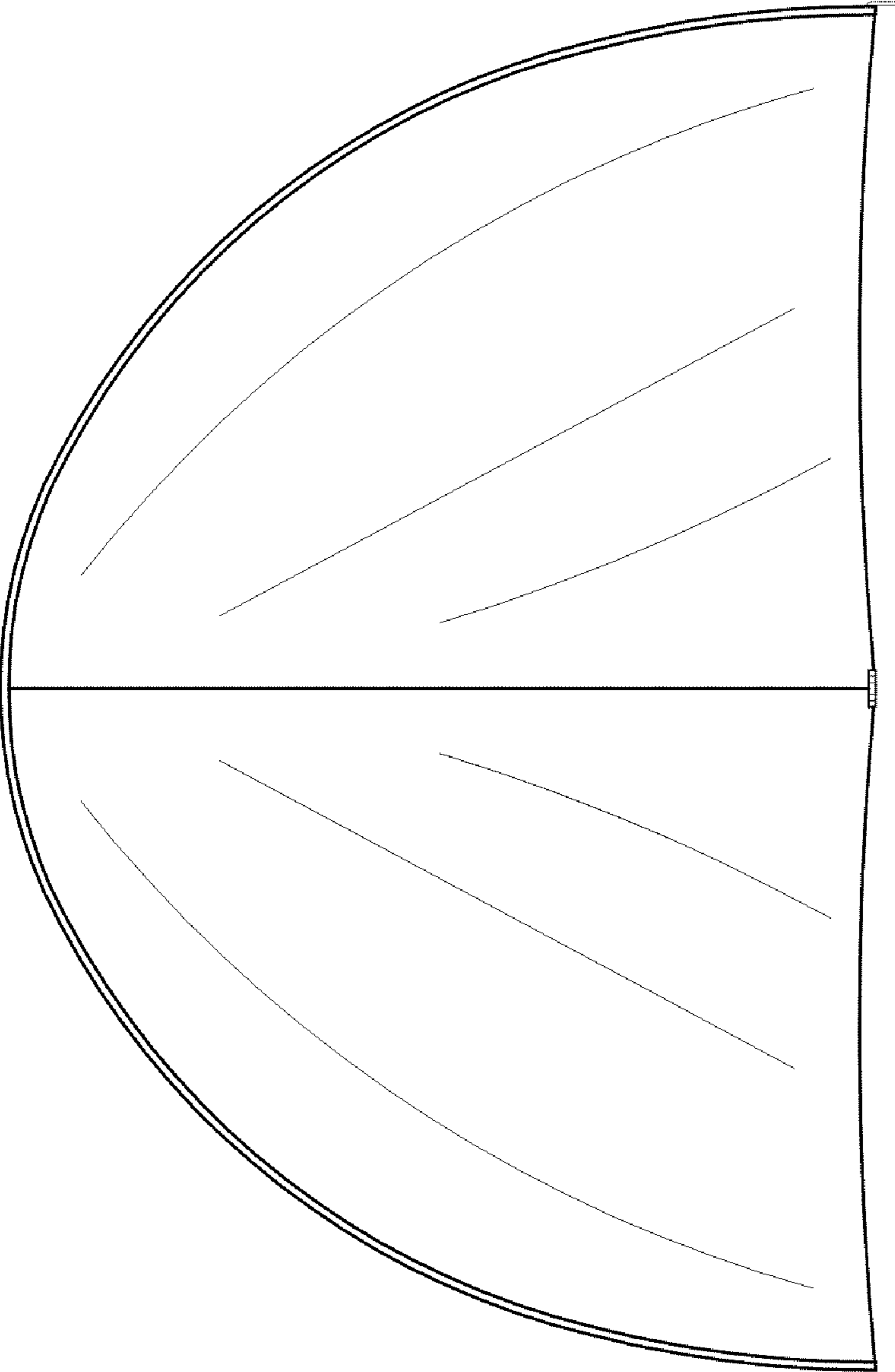


FIG. 3

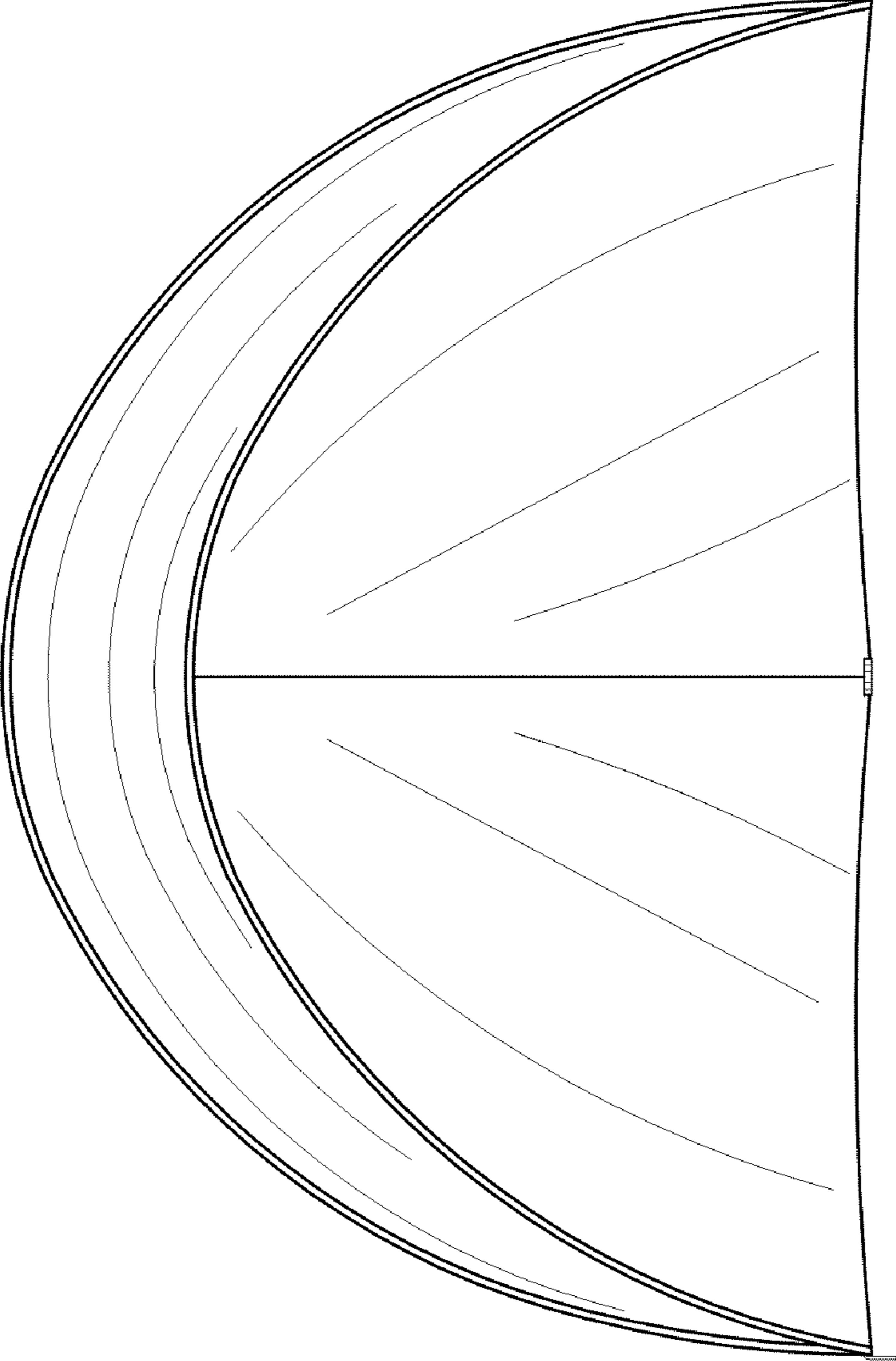


FIG. 4

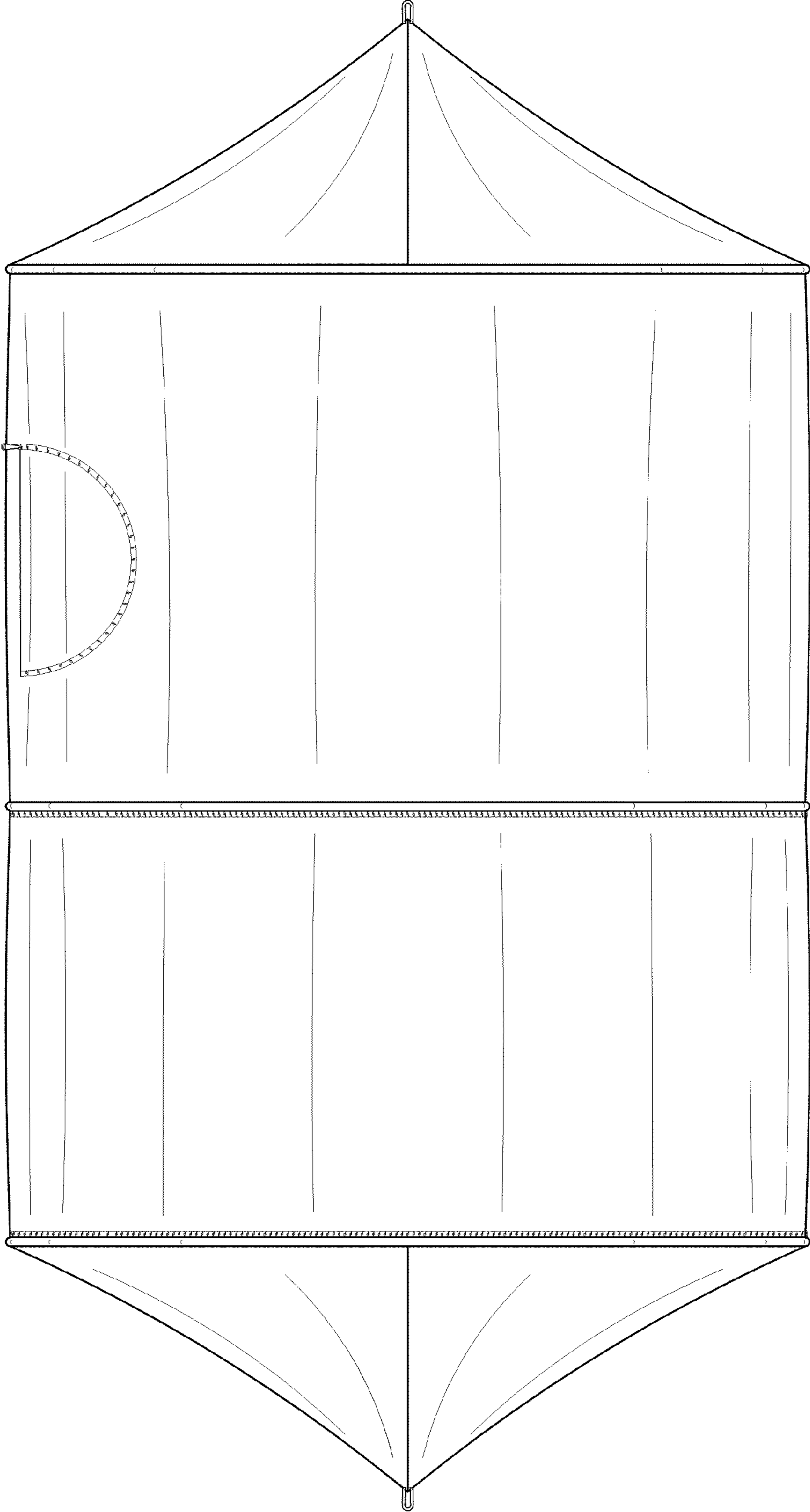


FIG. 5

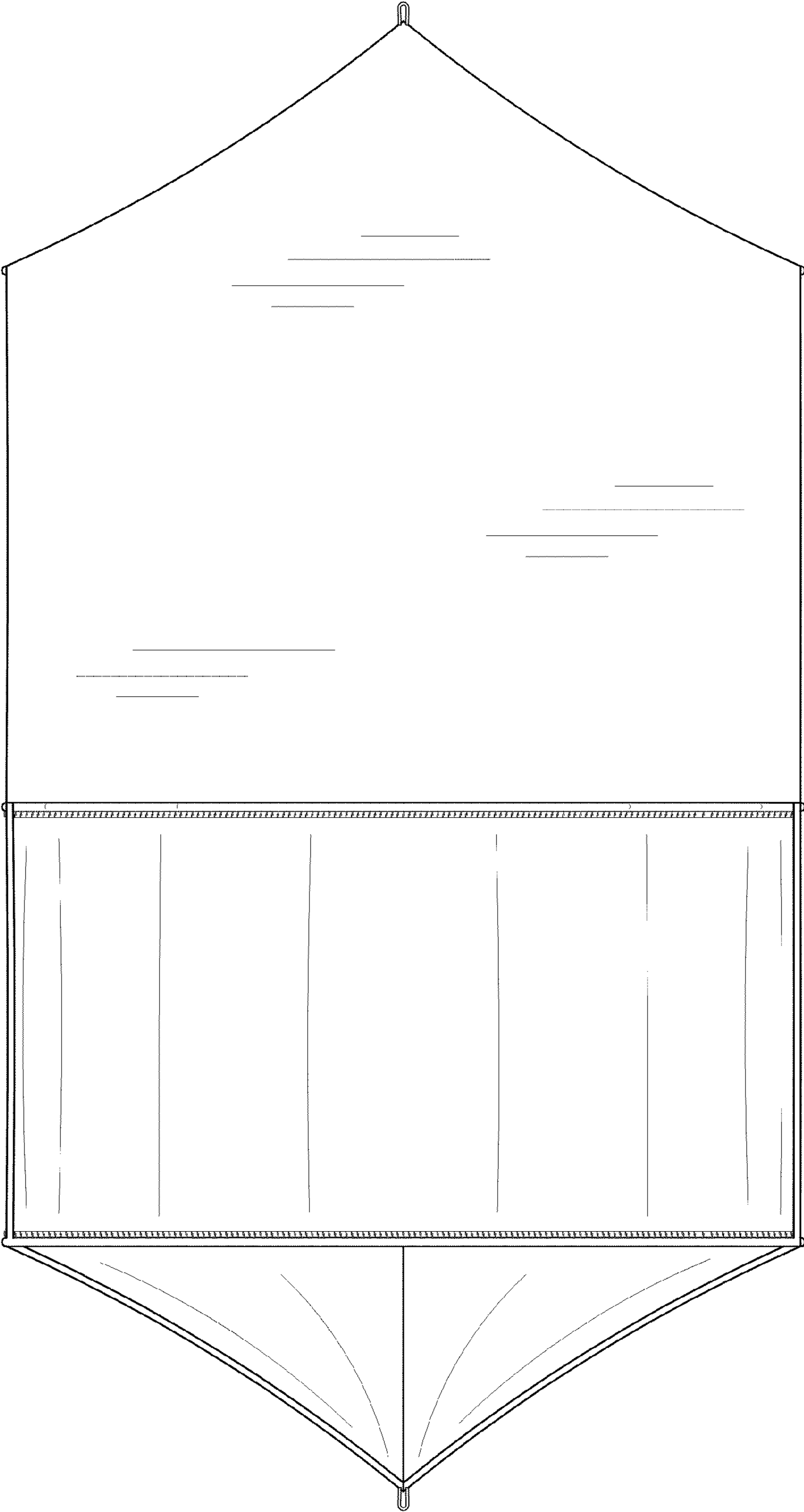


FIG. 6

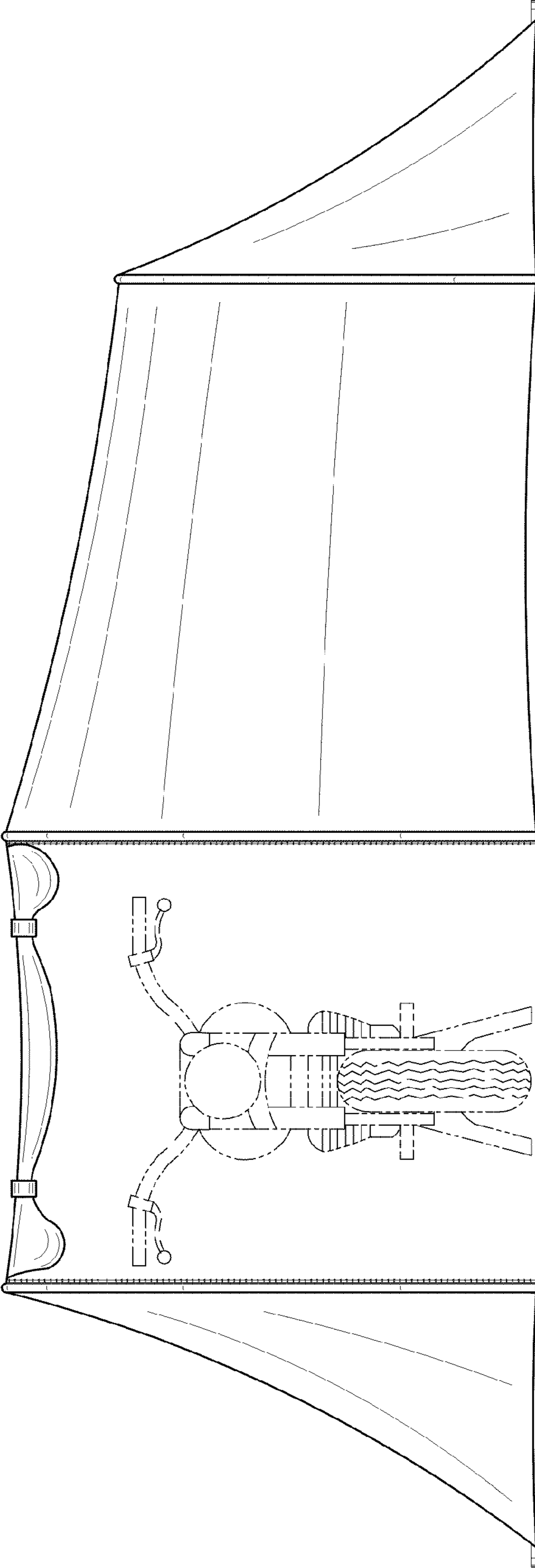


FIG. 7



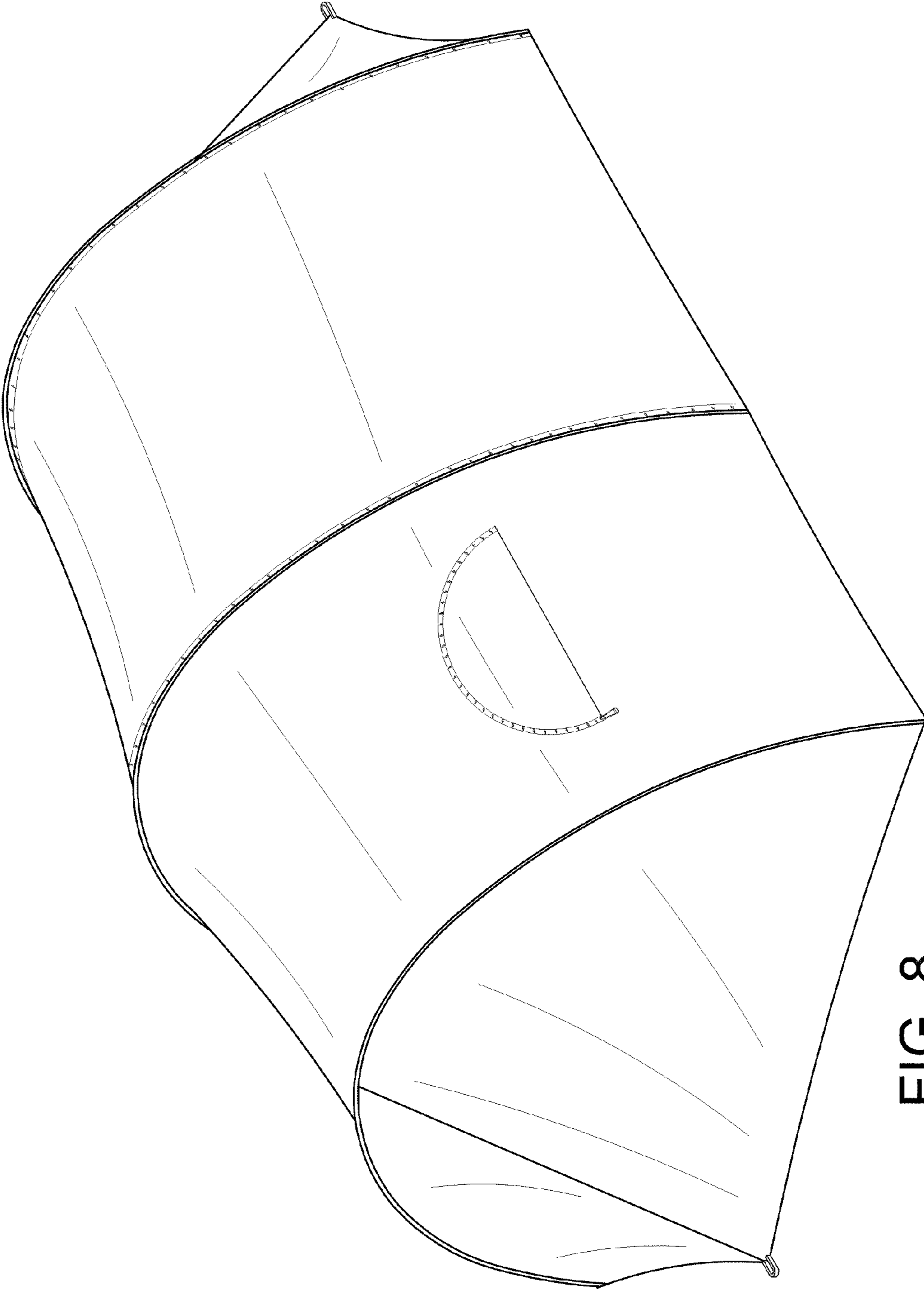


FIG. 8