



US00D651675S

(12) **United States Design Patent**
Norton

(10) **Patent No.:** **US D651,675 S**

(45) **Date of Patent:** **** Jan. 3, 2012**

(54) **HEAVY BAG STAND**

(75) Inventor: **Richard Norton**, Moore, OK (US)

(73) Assignee: **Century, LLC**, Midwest City, OK (US)

(**) Term: **14 Years**

(21) Appl. No.: **29/358,172**

(22) Filed: **Mar. 23, 2010**

(51) **LOC (9) Cl.** **21-02**

(52) **U.S. Cl.** **D21/787**

(58) **Field of Classification Search** D21/467,
D21/662-697, 698, 715, 719, 787, 798, 799.1;
D6/329, 347, 386, 387, 410, 411, 449, 462,
D6/466, 491, 499, 503, 512, 552; 415/415-504;
482/83-90; 211/13.1, 85.7, 85.8, 85.15,
211/85.29, 113-118, 182; 248/121.1, 127,
248/163.2, 176.1, 317-322, 339-342

See application file for complete search history.

(56) **References Cited**

U.S. PATENT DOCUMENTS

2,528,388	A *	10/1950	Richards	211/41.7
3,528,657	A *	9/1970	Krupsky	472/118
D230,109	S *	1/1974	Gass	D6/499
D244,407	S *	5/1977	Gass	D6/403
D249,408	S *	9/1978	Jackson	D6/347

4,557,478	A *	12/1985	Levine	482/89
D290,558	S *	6/1987	Zorrilla	D7/601
D331,158	S *	11/1992	Hooi	D6/499
5,460,343	A *	10/1995	Hestilow	248/124.1
D431,061	S *	9/2000	Solis	D21/719
D468,946	S *	1/2003	Harms et al.	D6/552
D538,109	S *	3/2007	Goodman et al.	D7/601
7,458,919	B2 *	12/2008	Giusti	482/87
2008/0060128	A1 *	3/2008	Forshpan	5/98.3

FOREIGN PATENT DOCUMENTS

GB DES 2055143 * 8/1996

* cited by examiner

Primary Examiner — Catherine Tuttle

(74) *Attorney, Agent, or Firm* — McAfee & Taft

(57) **CLAIM**

The ornamental design for a heavy bag stand, as shown.

DESCRIPTION

FIG. 1 is a right, front perspective view of the heavy bag stand, showing my new design;

FIG. 2 is a front devotional view thereof;

FIG. 3 is a rear elevational view thereof;

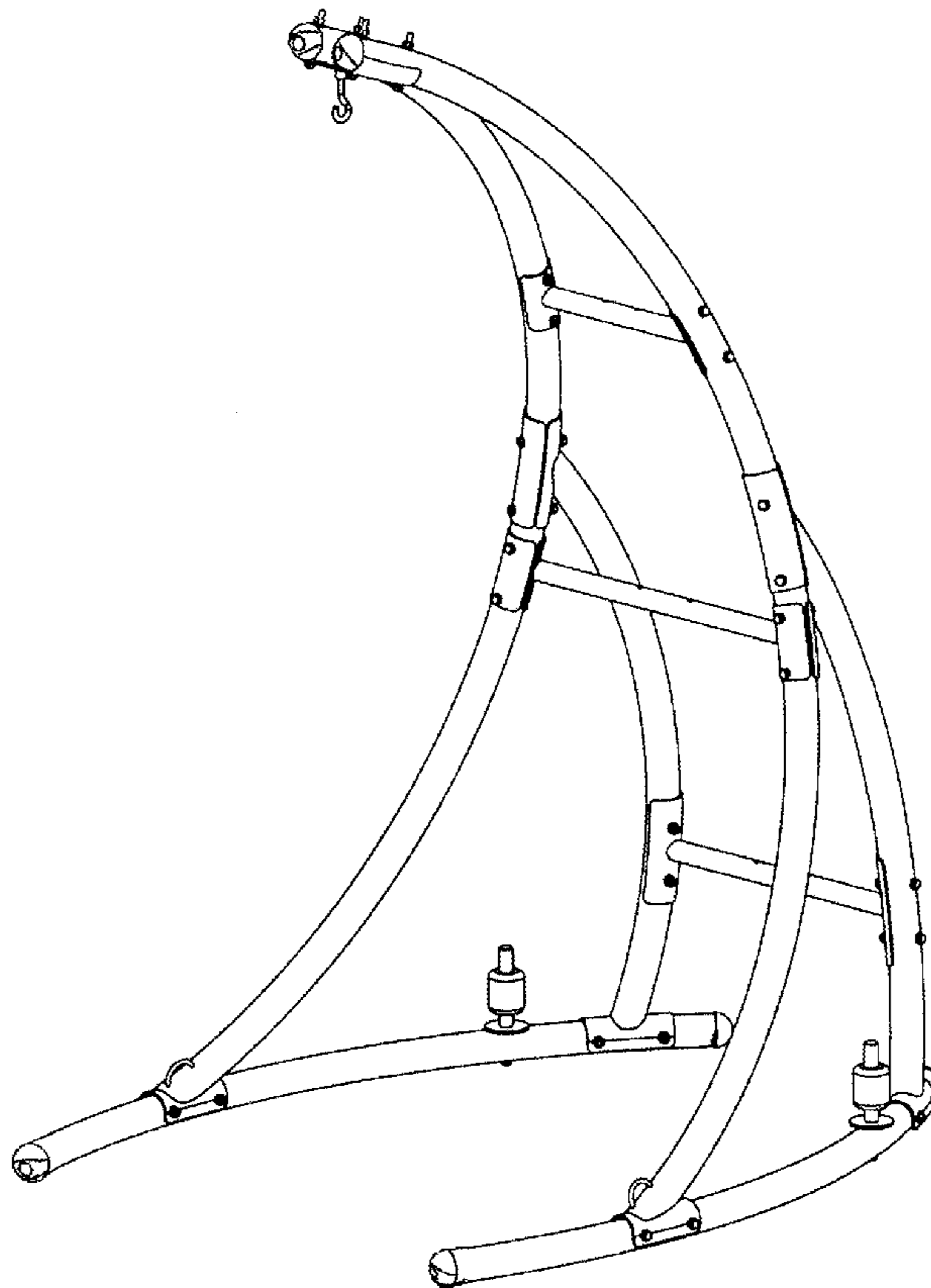
FIG. 4 is a right-side elevational view thereof;

FIG. 5 is a left-side elevational view thereof

FIG. 6 is a top plan view thereof; and,

FIG. 7 is bottom view thereof.

1 Claim, 7 Drawing Sheets



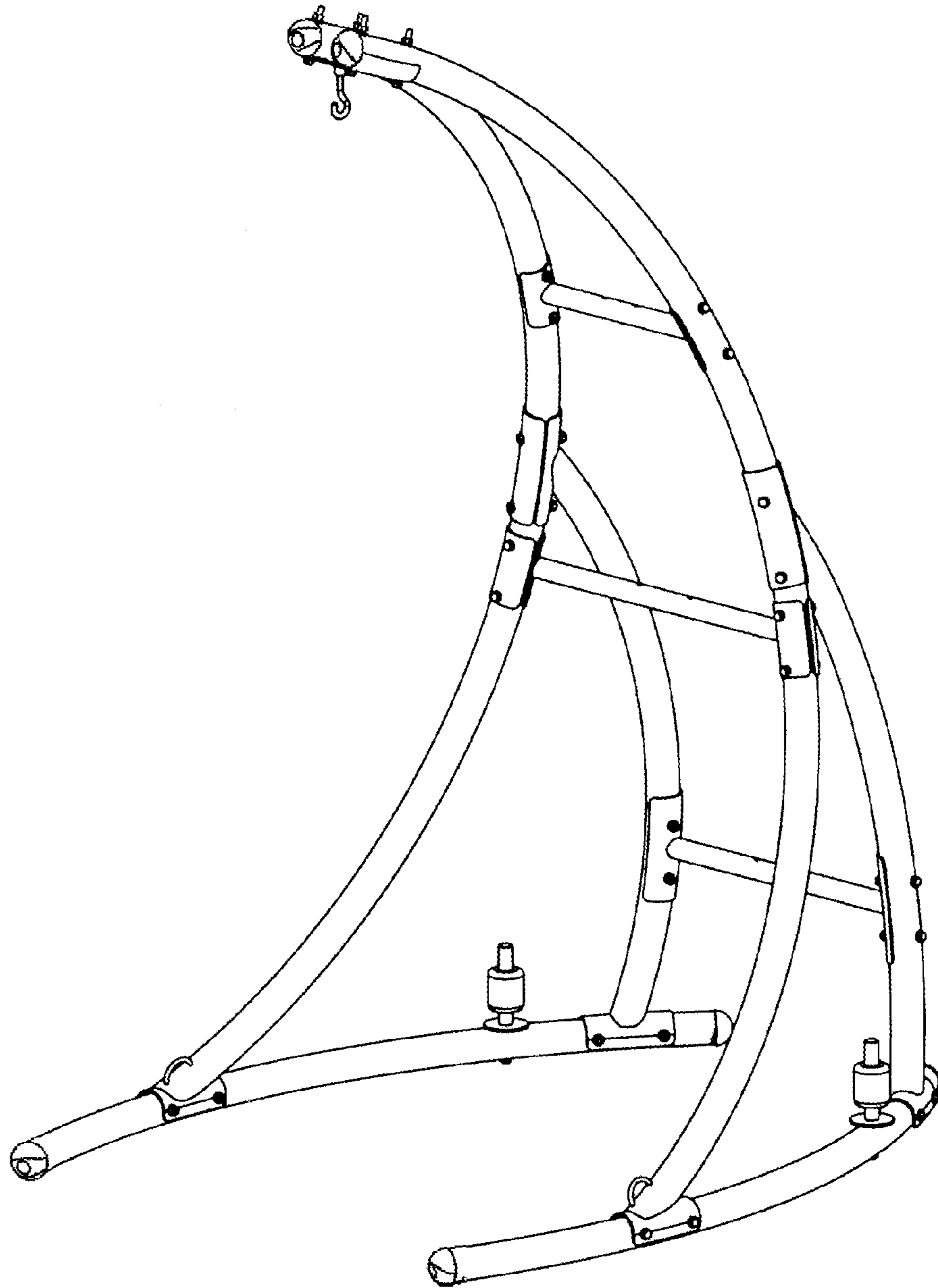


FIG. 1

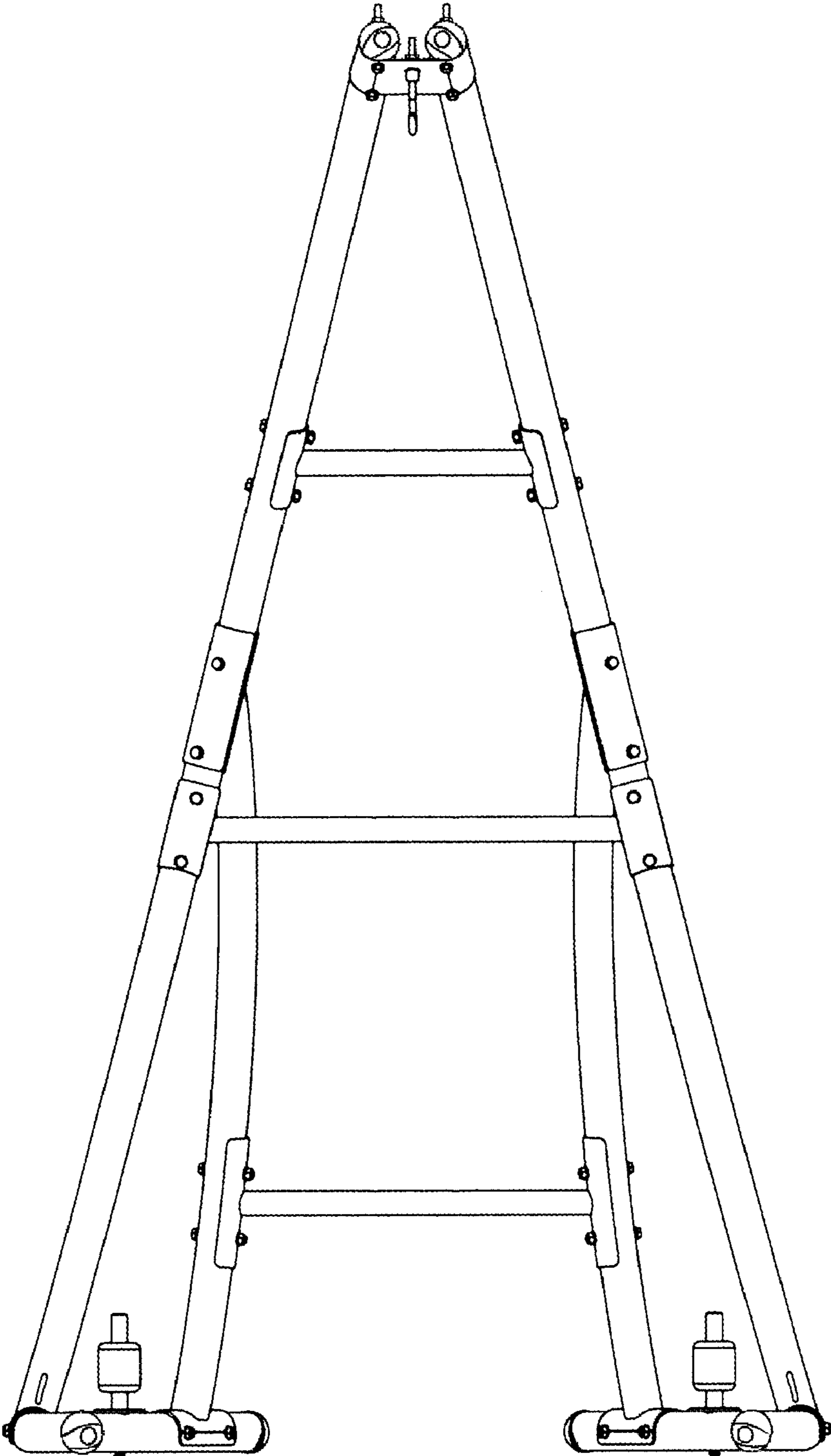


FIG. 2

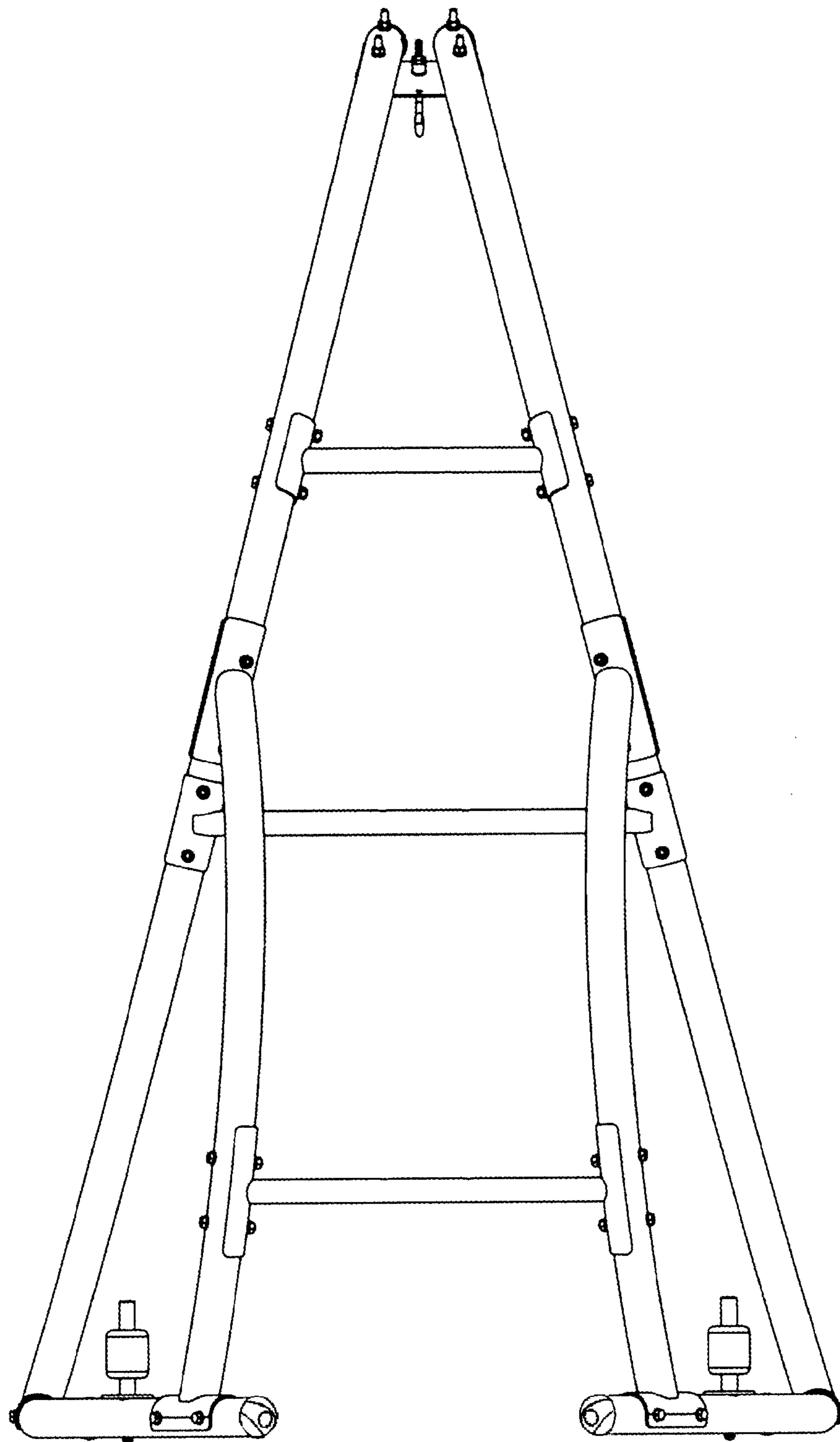


FIG. 3

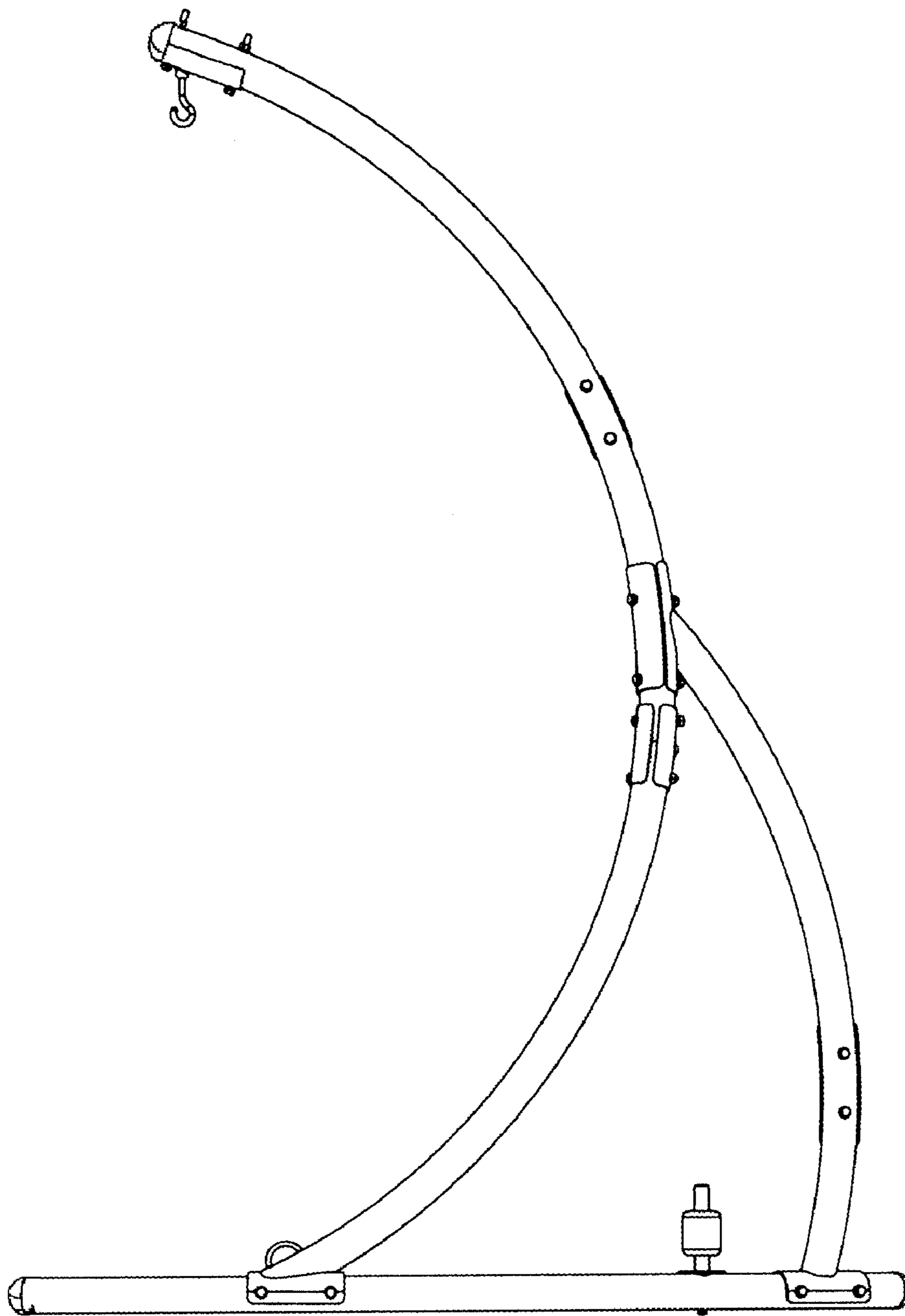


FIG. 4

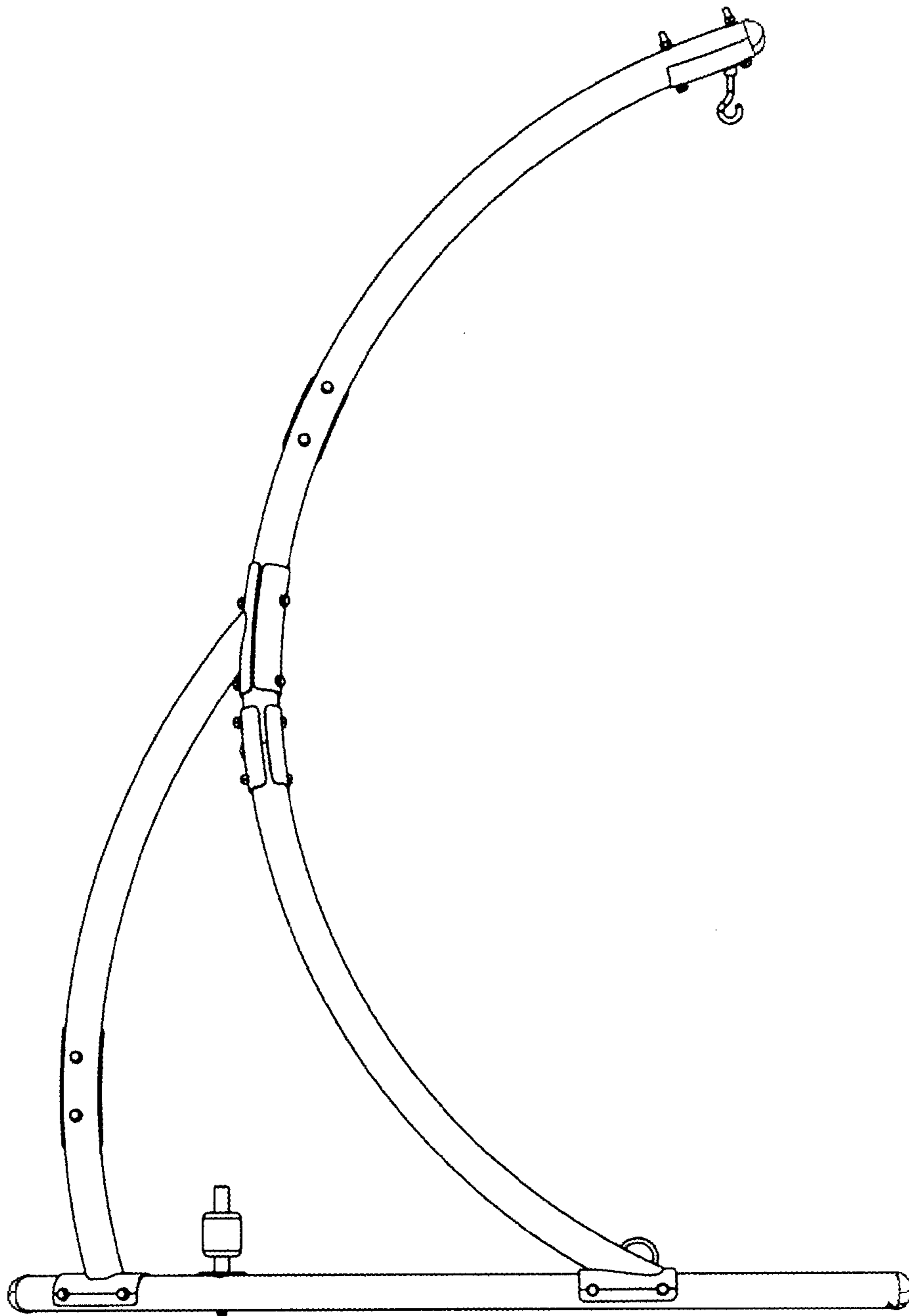


FIG. 5

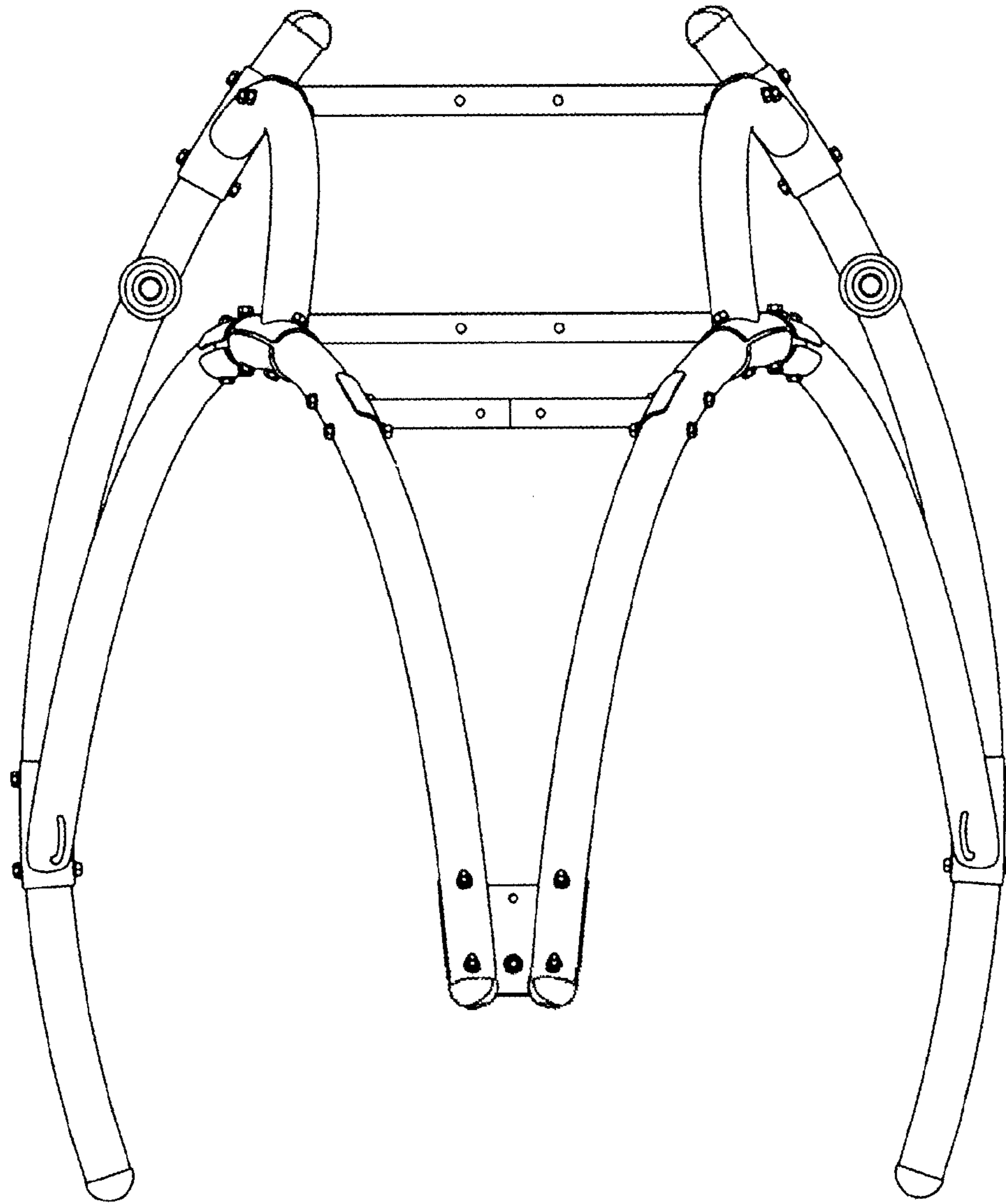


FIG. 6

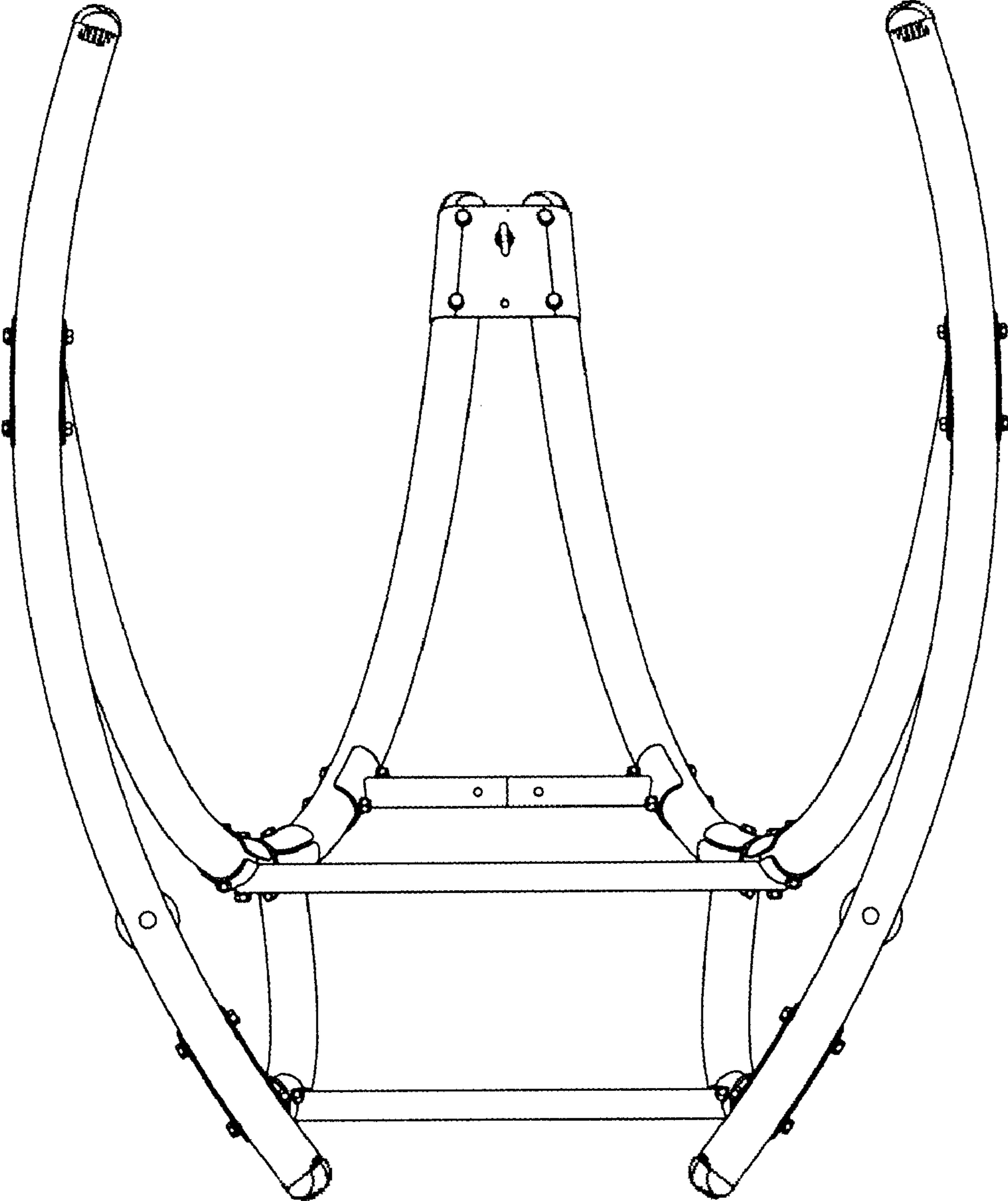


FIG. 7