



US00D651673S

(12) **United States Design Patent**
Kulzer

(10) **Patent No.:** **US D651,673 S**

(45) **Date of Patent:** **** Jan. 3, 2012**

(54) **RECTANGULAR EXERCISE STEP**

(75) Inventor: **Darrell A. Kulzer**, Denver, CO (US)

(73) Assignee: **B & R Plastics, Inc.**, Denver, CO (US)

(**) Term: **14 Years**

(21) Appl. No.: **29/387,510**

(22) Filed: **Mar. 14, 2011**

(51) **LOC (9) Cl.** **21-02**

(52) **U.S. Cl.** **D21/686**

(58) **Field of Classification Search** D21/662,
D21/671, 686, 688, 689, 694; 482/26, 51,
482/52, 70, 79, 80, 121, 142, 146, 147, 148

See application file for complete search history.

(56) **References Cited**

U.S. PATENT DOCUMENTS

3,421,163	A *	1/1969	Stoughton	297/452.41
D330,234	S *	10/1992	Saunders et al.	D21/671
D330,235	S *	10/1992	Traetta et al.	D21/671
5,154,678	A *	10/1992	Adamczyk et al.	482/52
5,213,554	A *	5/1993	Goldstein et al.	482/52
5,226,865	A *	7/1993	Chin	482/52
D346,630	S *	5/1994	Van Der Hoeven	D21/671
D355,226	S *	2/1995	Wadley	D21/686
D360,767	S *	8/1995	Fish et al.	D6/349
5,441,466	A *	8/1995	Piaget et al.	482/52
5,472,390	A *	12/1995	Faye	482/52
5,591,105	A *	1/1997	Dalebout et al.	482/52
5,656,000	A *	8/1997	Russell	482/52

5,749,555	A *	5/1998	Albrecht	248/346.01
5,842,955	A *	12/1998	Wilkinson	482/52
D449,357	S *	10/2001	Monter Villar et al.	D21/686
D449,662	S *	10/2001	Monter Villar et al.	D21/686
D519,172	S *	4/2006	Penat et al.	D21/671
7,335,146	B2 *	2/2008	Gerstung	482/142
D590,457	S *	4/2009	Mishan	D21/686
7,657,952	B2 *	2/2010	Hutchison	5/420
D630,687	S *	1/2011	Meinel	D21/686
7,922,624	B1 *	4/2011	Fairhurst et al.	482/52
2009/0291807	A1 *	11/2009	Moring et al.	482/52
2010/0029443	A1 *	2/2010	Kim	482/52

* cited by examiner

Primary Examiner — Susan E Krakower

(74) *Attorney, Agent, or Firm* — William W. Cochran;
Cochran Freund & Young LLC

(57) **CLAIM**

The ornamental design for a rectangular exercise step, as shown and described.

DESCRIPTION

FIG. 1 is a bottom isometric view of a rectangular exercise step showing my new design.

FIG. 2 is a top view thereof.

FIG. 3 is a bottom view thereof.

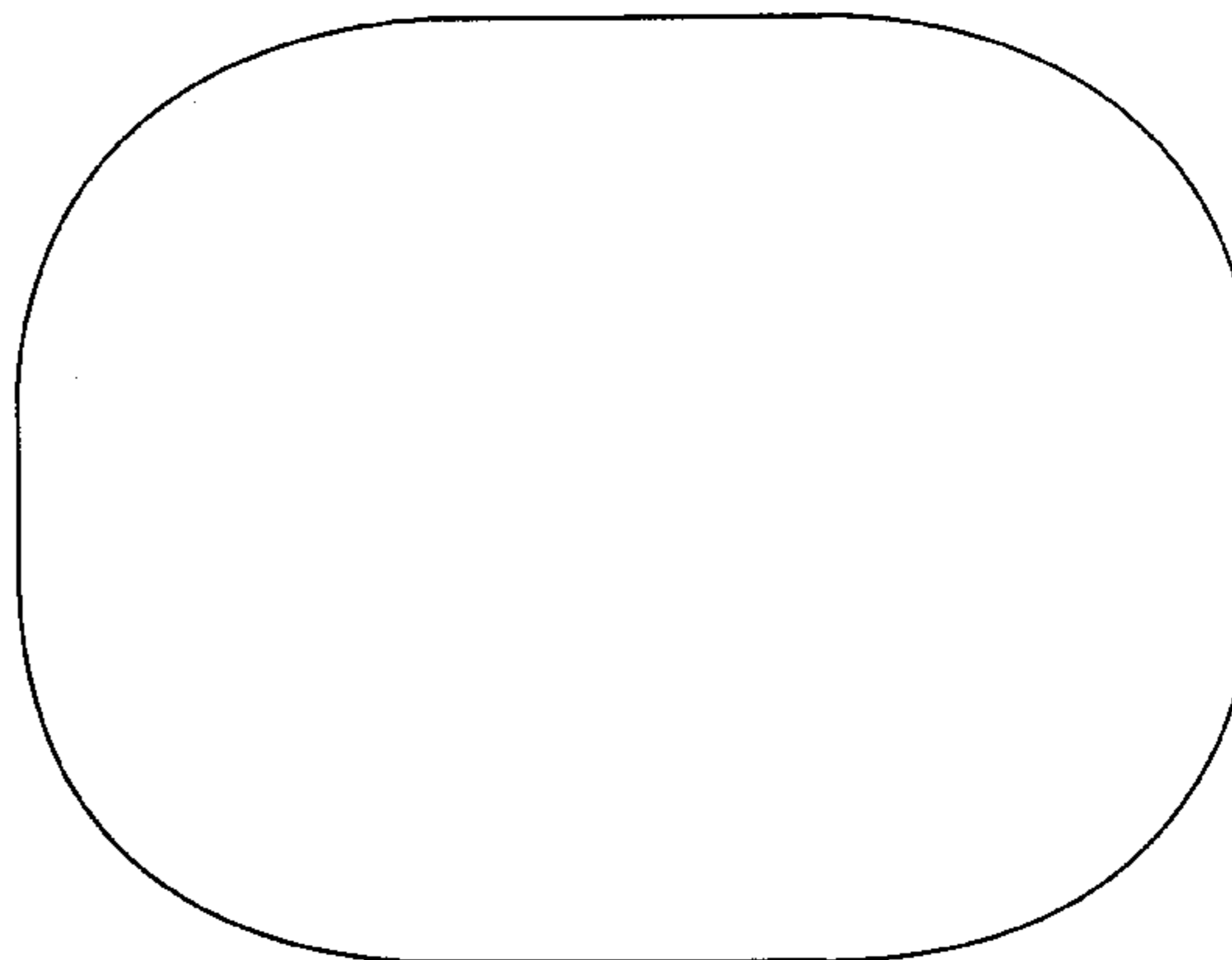
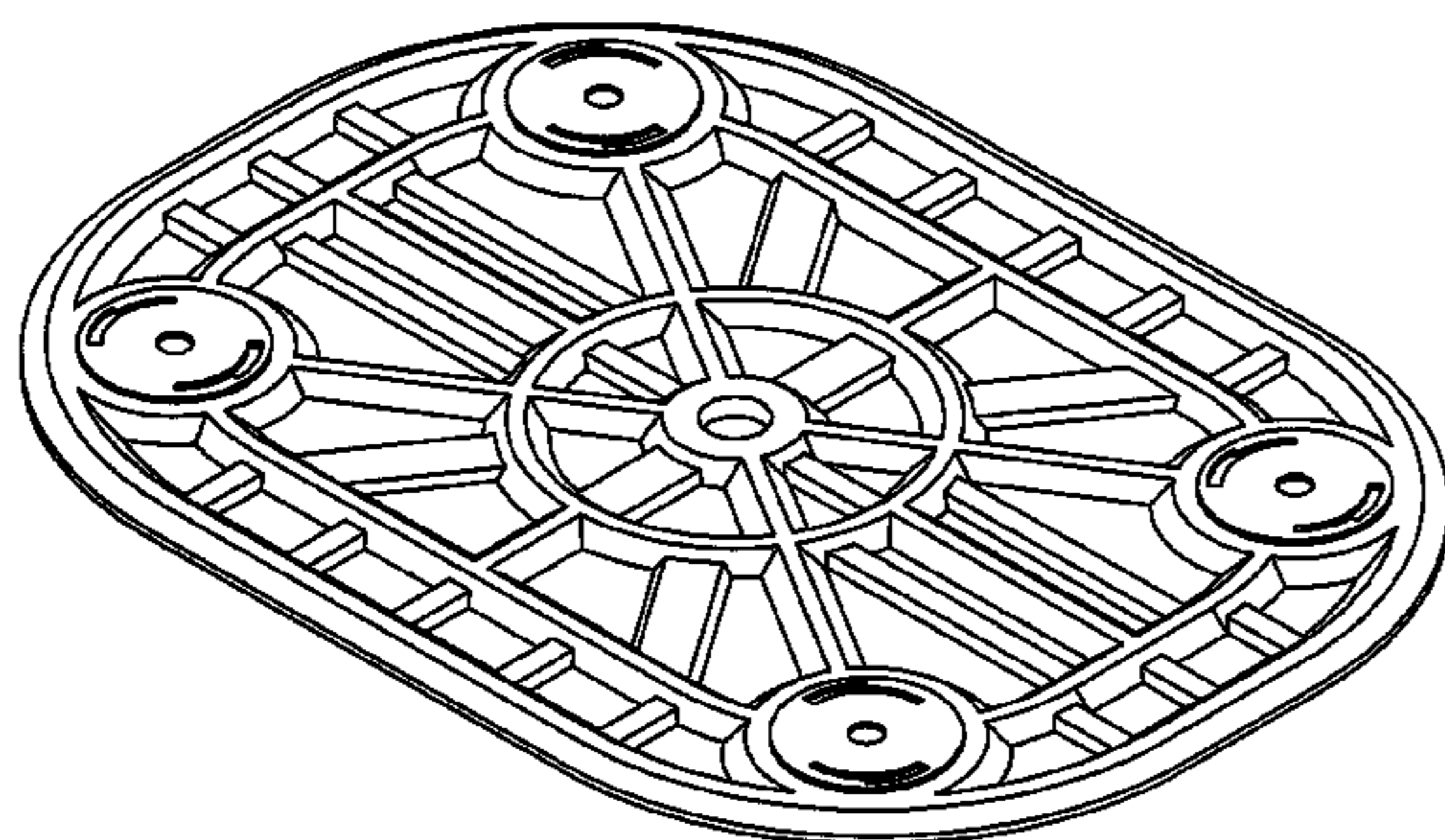
FIG. 4 is a left side view thereof.

FIG. 5 is a right side view thereof.

FIG. 6 is a front view thereof; and,

FIG. 7 is a back view thereof.

1 Claim, 5 Drawing Sheets



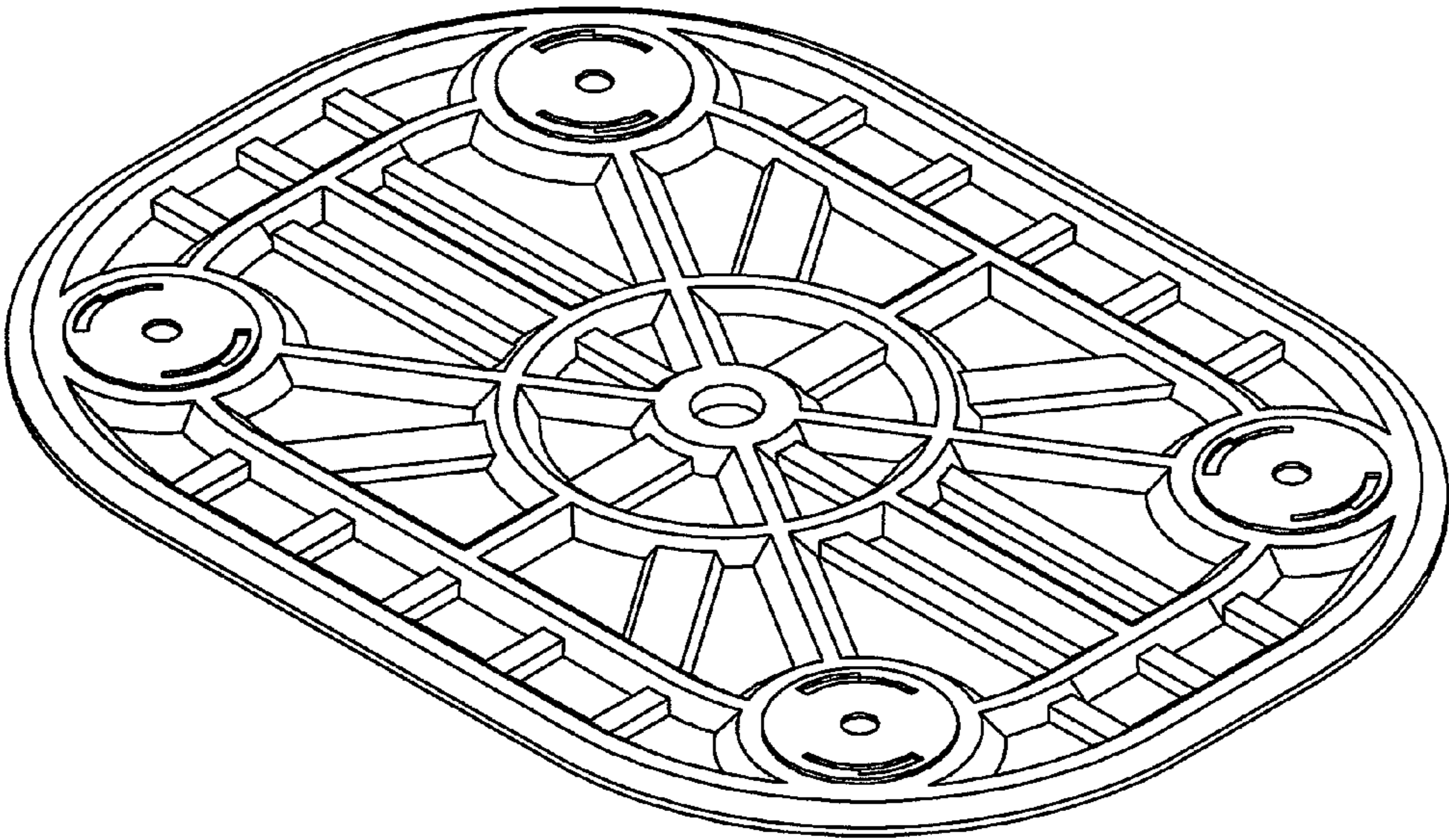


FIG. 1

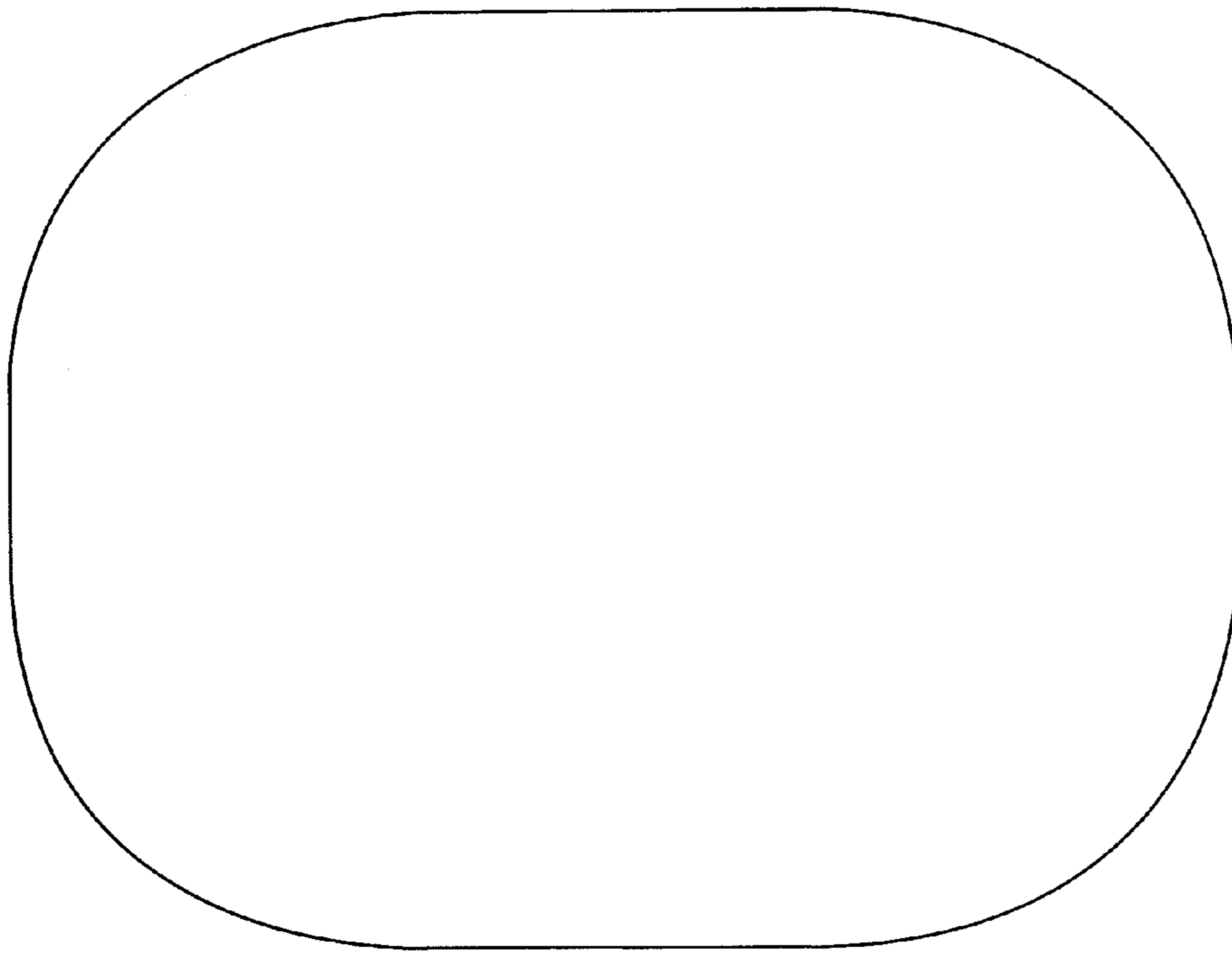


FIG. 2

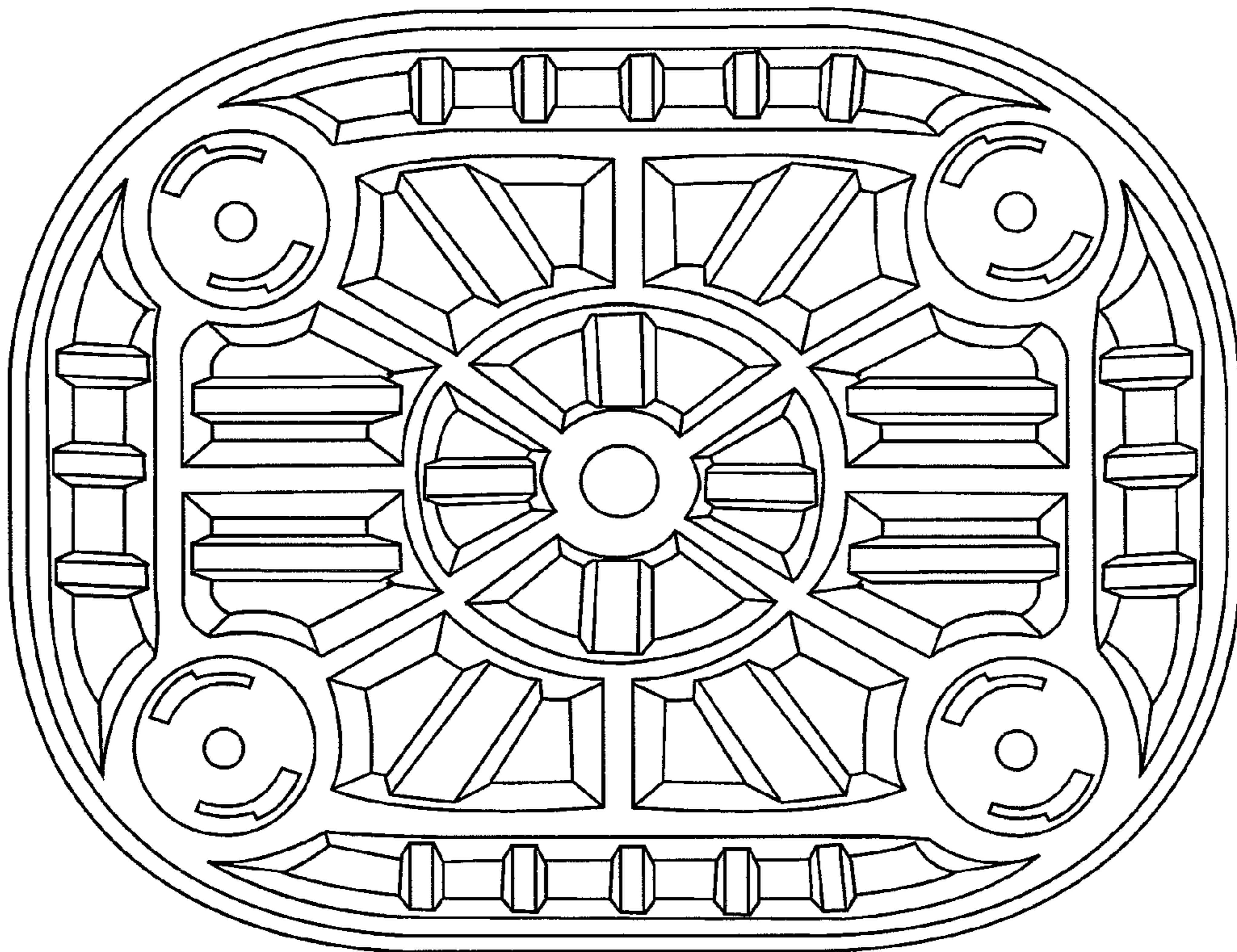


FIG. 3

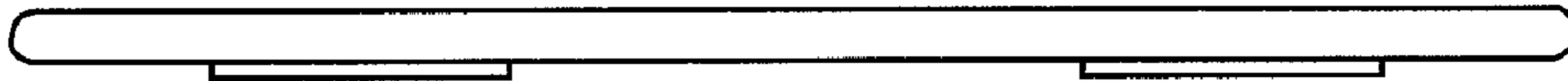


FIG. 4

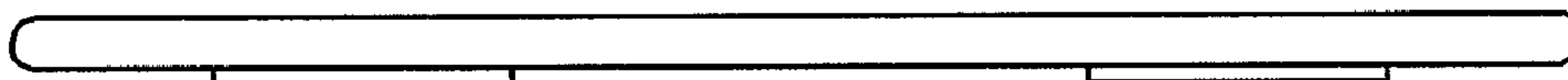


FIG. 5

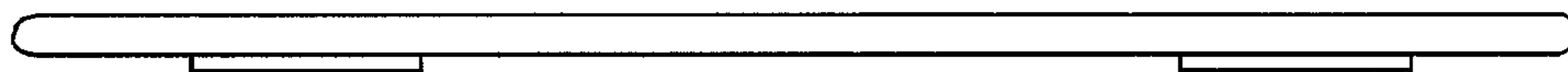


FIG. 6

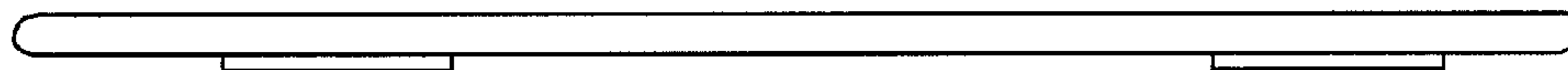


FIG. 7