



US00D651672S

(12) **United States Design Patent**
Towley, III et al.

(10) **Patent No.:** **US D651,672 S**
(45) **Date of Patent:** **** Jan. 3, 2012**

- (54) **SELECTORIZED DUMBBELL HAVING KETTLEBELL STYLE HANDLE**
- (75) Inventors: **Carl K. Towley, III**, Alexandria, MN (US); **Gregory S. Olson**, Owatonna, MN (US)
- (73) Assignee: **PowerBlock Holdings, Inc.**, Owatonna, MN (US)

7,052,445	B2	5/2006	Ekhaus	
7,335,142	B2 *	2/2008	Towley et al.	482/107
7,857,735	B2 *	12/2010	Towley et al.	482/107
8,002,678	B1 *	8/2011	Krull	482/93
D644,701	S *	9/2011	Towley et al.	D21/681
8,012,069	B2 *	9/2011	Towley et al.	482/108
2005/0233873	A1 *	10/2005	Chen	482/107
2006/0234843	A1 *	10/2006	Chen	482/107
2011/0028285	A1 *	2/2011	Towley et al.	482/108

- (**) Term: **14 Years**
- (21) Appl. No.: **29/391,393**
- (22) Filed: **May 7, 2011**

Related U.S. Application Data

- (62) Division of application No. 29/366,855, filed on Jul. 30, 2010, now Pat. No. Des. 644,701.
- (51) **LOC (9) Cl.** **21-02**
- (52) **U.S. Cl.** **D21/681**
- (58) **Field of Classification Search** D21/662, D21/677-678, 680-685, 692, 694; 482/92-94, 482/97-111, 114-115, 138
See application file for complete search history.

(56) **References Cited**

U.S. PATENT DOCUMENTS

1,422,888	A *	7/1922	Reeves et al.	482/93
1,853,916	A *	4/1932	McLaughlin	16/217
1,917,566	A	7/1933	Wood	
4,627,618	A	12/1986	Schwartz	
4,743,017	A	5/1988	Jaeger	
4,768,780	A	9/1988	Hayes	
D359,778	S	6/1995	Towley, III et al.	
5,637,064	A	6/1997	Olson et al.	
D422,654	S *	4/2000	Chen	D21/681
6,149,558	A *	11/2000	Chen	482/107
6,186,928	B1 *	2/2001	Chen	482/107
6,196,952	B1 *	3/2001	Chen	482/107
6,500,101	B1 *	12/2002	Chen	482/107
D498,272	S *	11/2004	Sanford-Schwentke et al.	D21/681
6,899,661	B1 *	5/2005	Krull	482/107

OTHER PUBLICATIONS

Atomic Athletic photograph of York Kettlebell Handle, dated 2006, showing a red U-shaped kettlebell style handle having legs that are slid onto the usual handle of a standard dumbbell.
 Oldtime Strongman Blog, dated Feb. 18, 2008, showing a U-shaped kettlebell style handle that can be retrofitted onto the usual handle of a standard dumbbell.
 Oldtime Strongman Blog, dated Oct. 1, 2007, showing a T-shaped kettlebell style handle that can have a plurality of weight plates attached to the lower end of the stem of the T with the top of the T forming a loop that can be gripped by the user.

* cited by examiner

Primary Examiner — Susan E Krakower

(74) *Attorney, Agent, or Firm* — James W. Miller

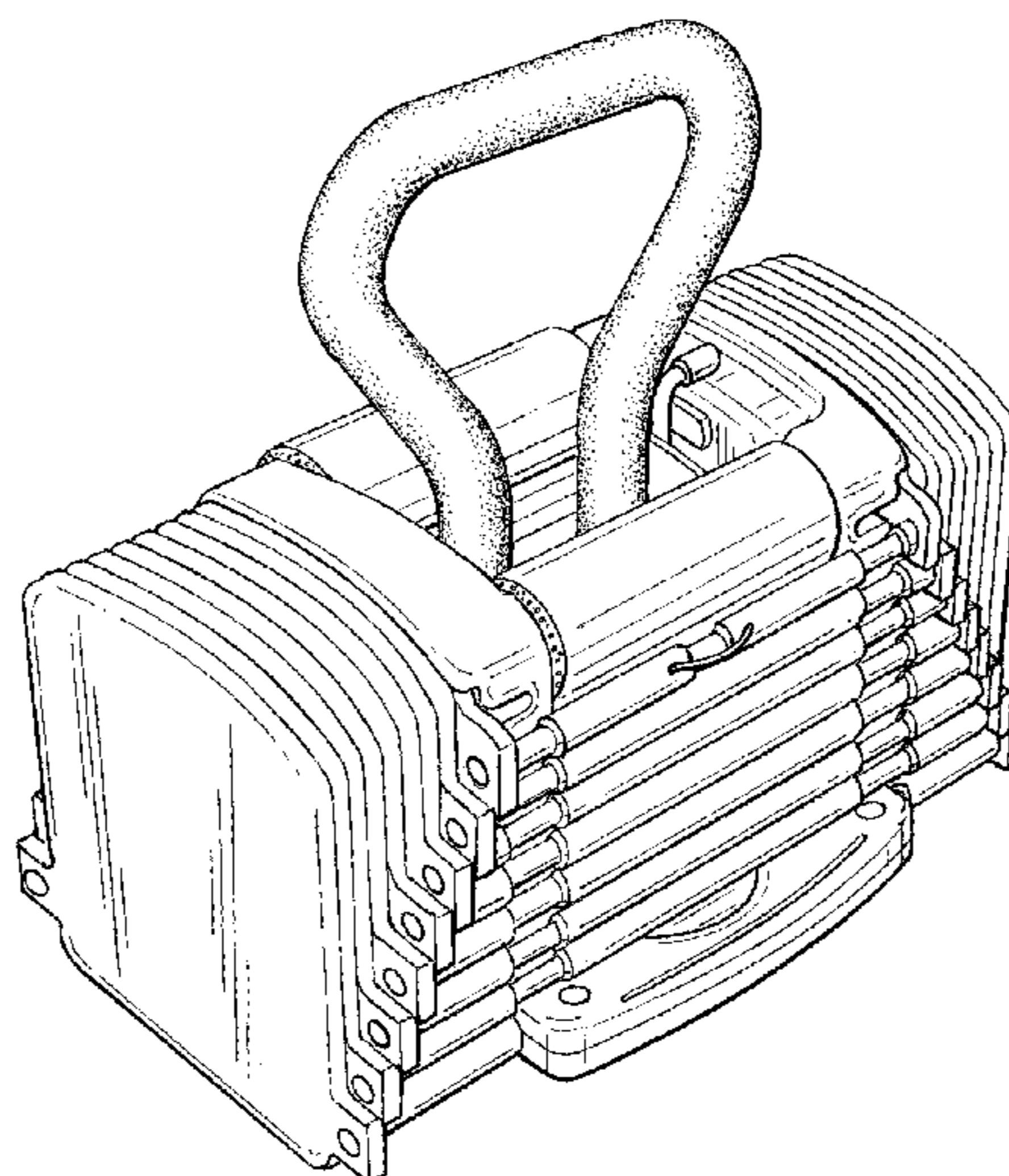
(57) **CLAIM**

The ornamental design for a selectorized dumbbell having a kettlebell style handle, as shown and described.

DESCRIPTION

FIG. 1 is a perspective view of a selectorized dumbbell having kettlebell style handle showing our new design;
 FIG. 2 is a front elevational view of the design illustrated in FIG. 1;
 FIG. 3 is a left elevational view of the design illustrated in FIG. 1;
 FIG. 4 is a right elevational view of the design illustrated in FIG. 1;
 FIG. 5 is a back elevational view of the design illustrated in FIG. 1; and,
 FIG. 6 is a top plan view of the design illustrated in FIG. 1.

1 Claim, 6 Drawing Sheets



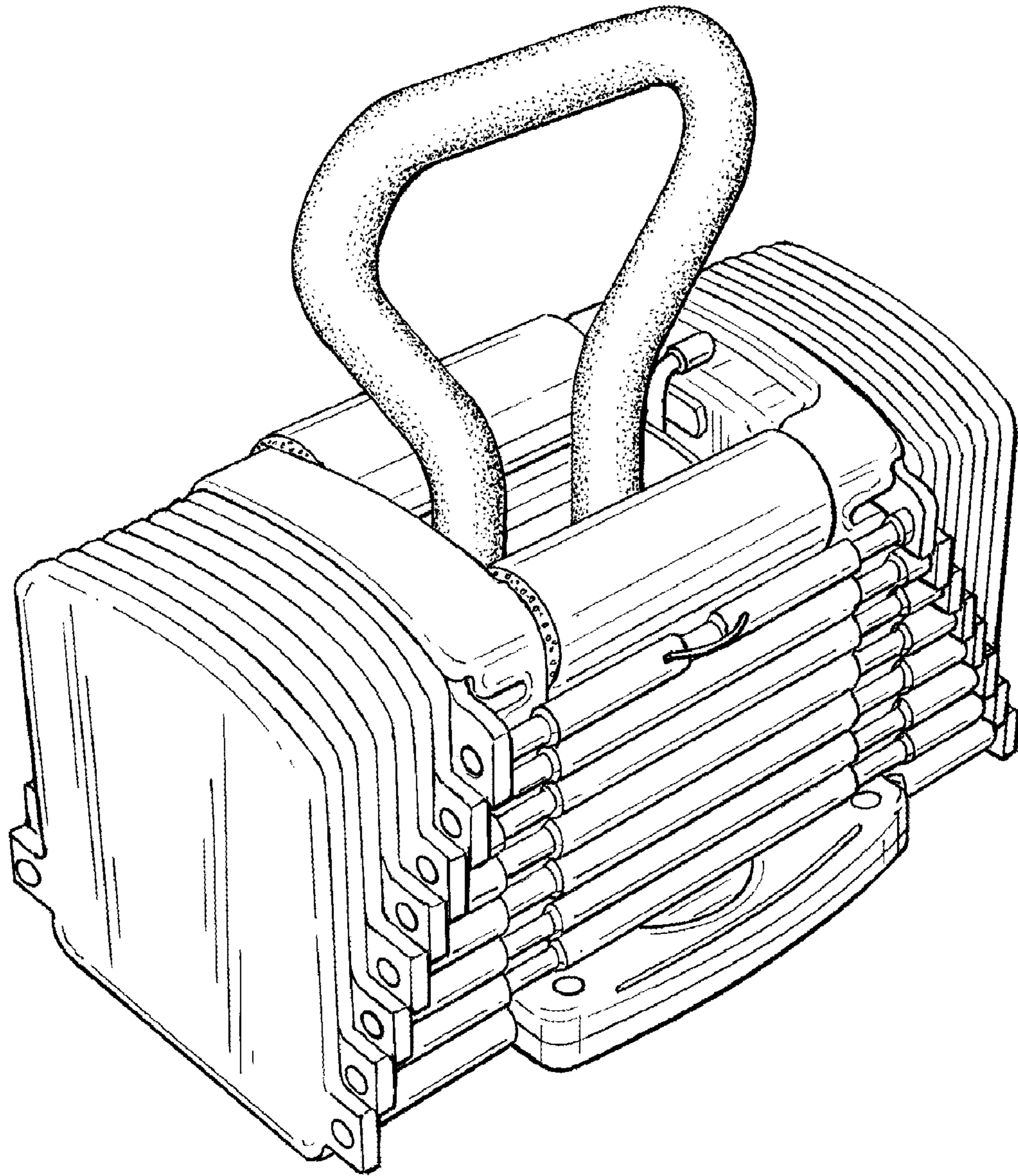


FIG. 1

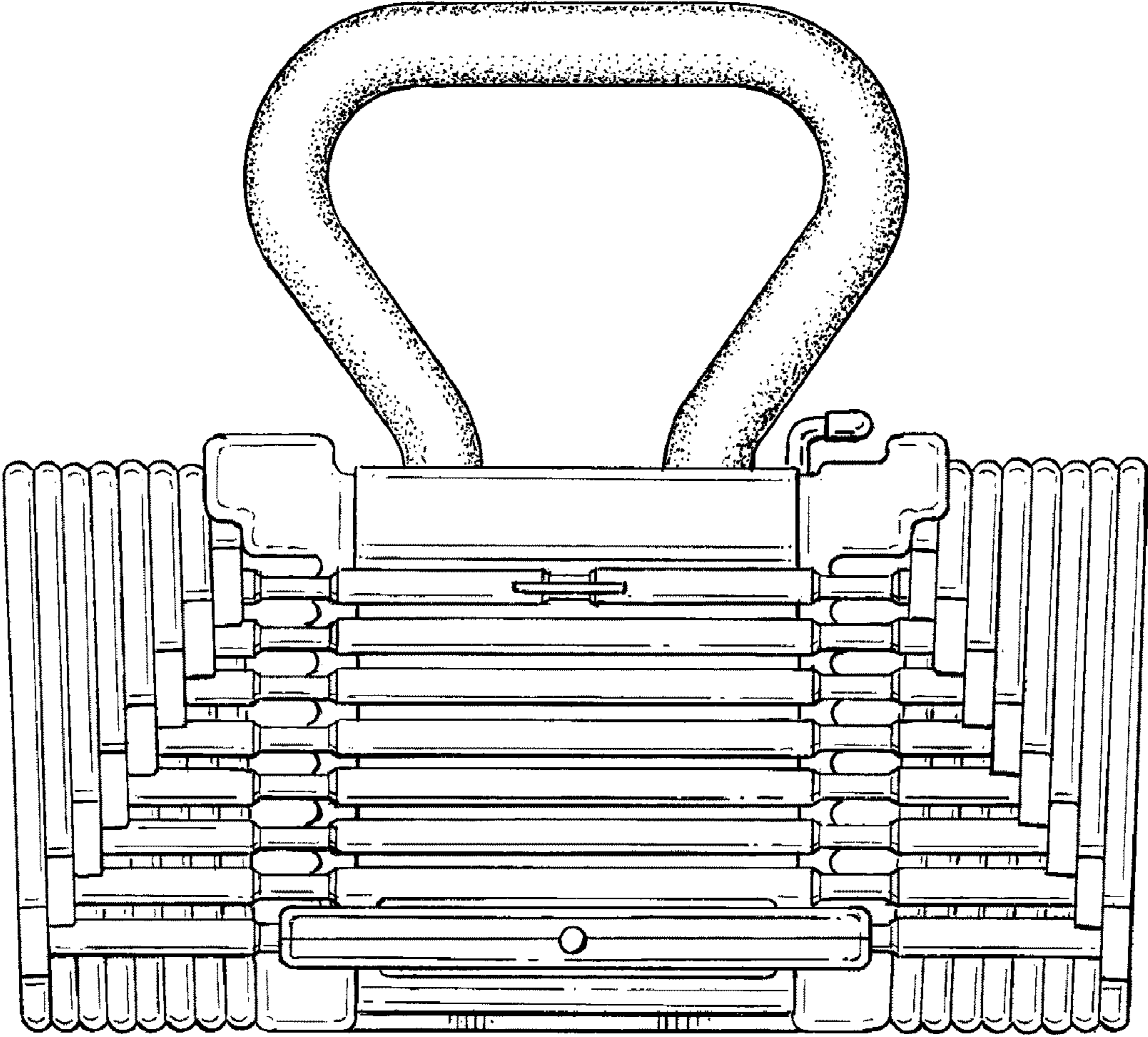


FIG. 2

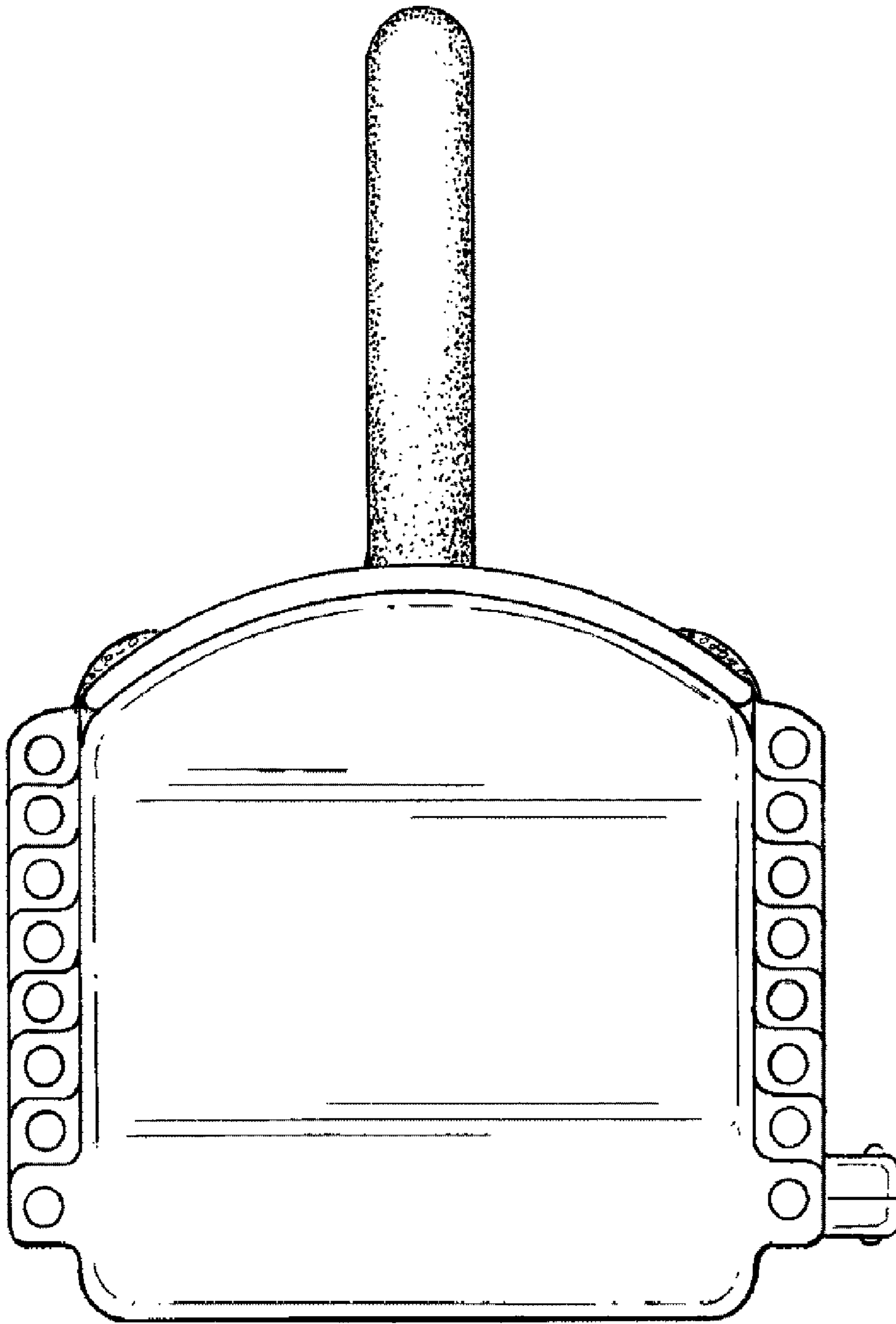


FIG. 3

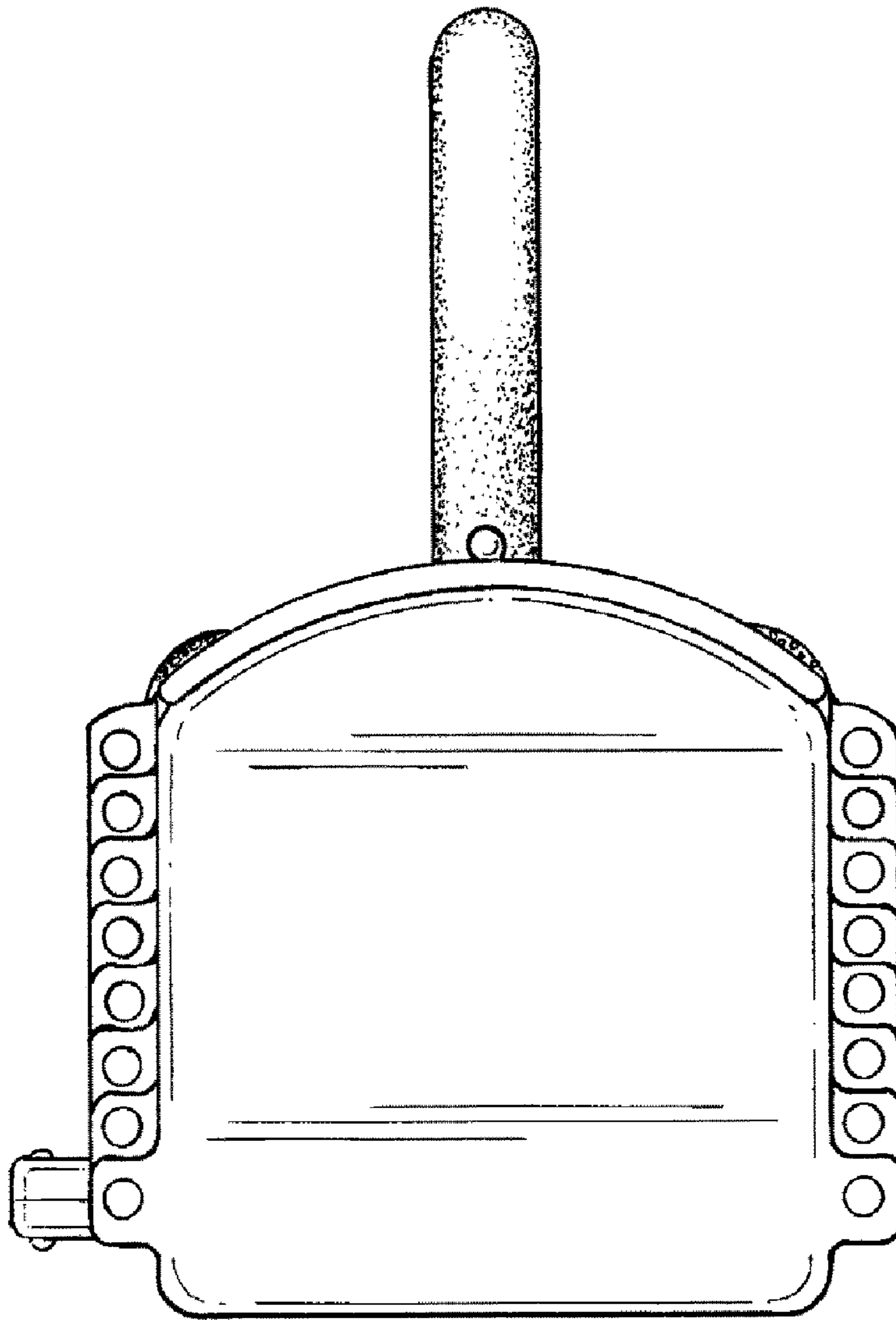


FIG. 4

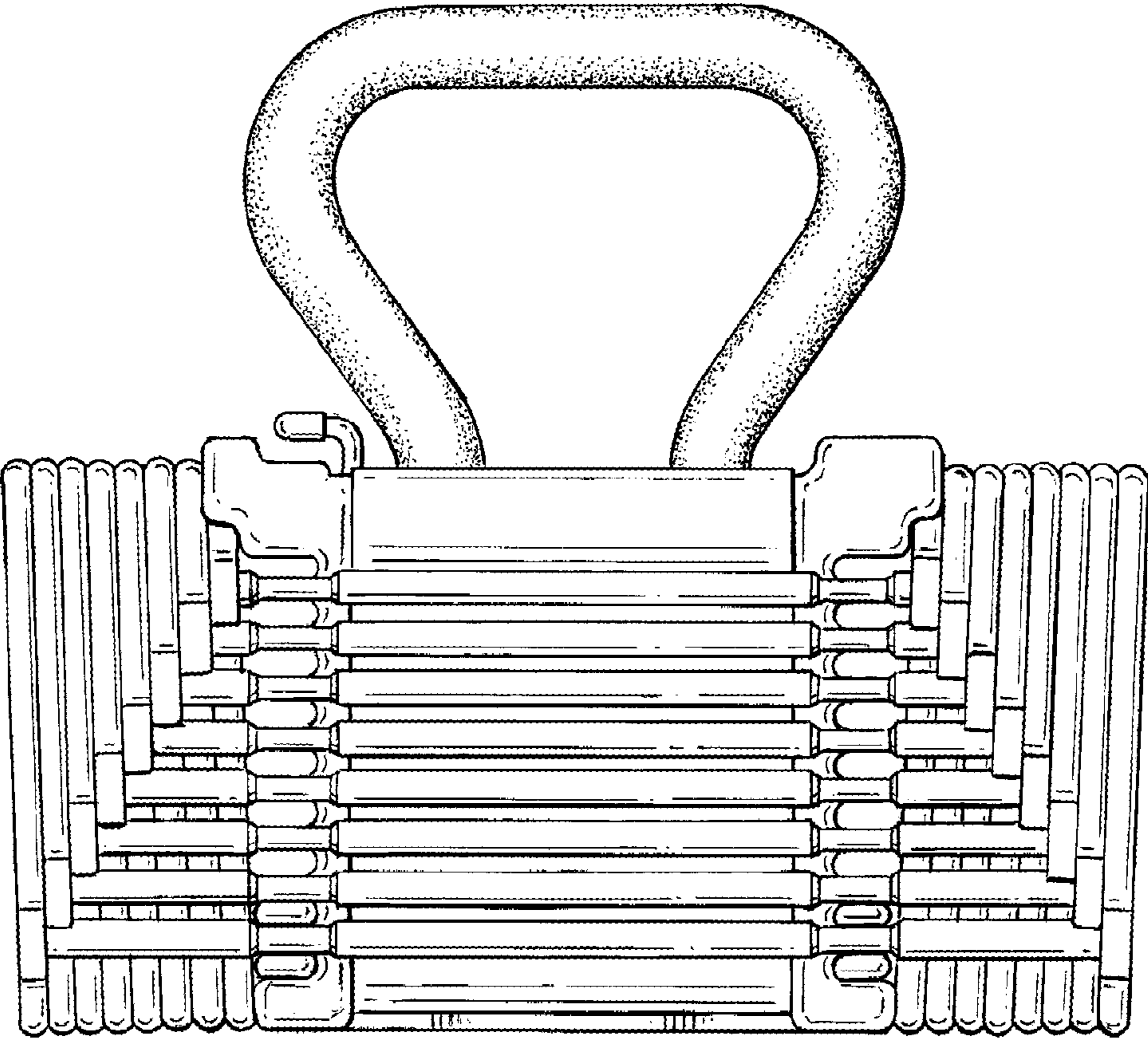


FIG. 5

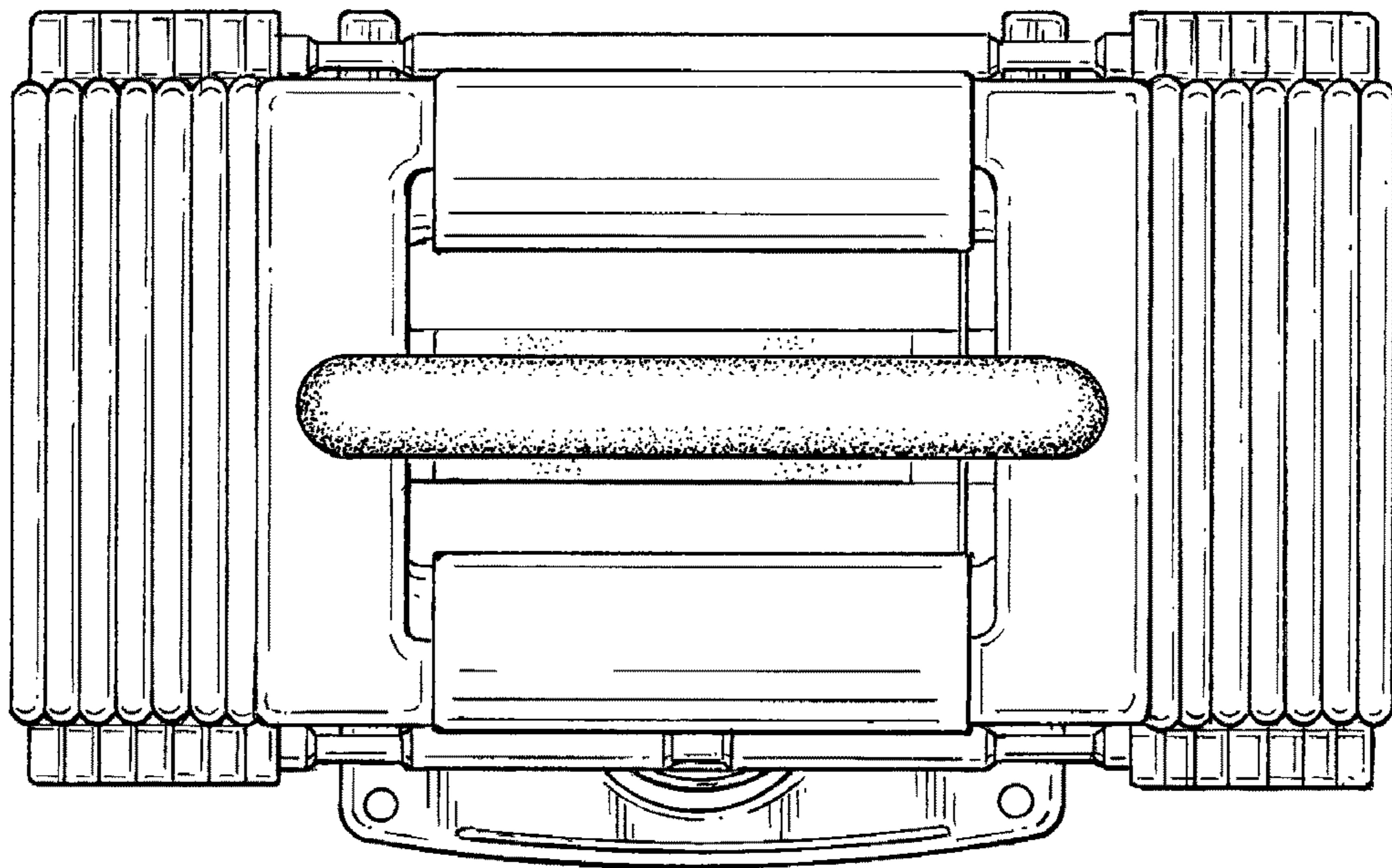


FIG. 6