



US00D651671S

(12) **United States Design Patent**
Ross et al.

(10) **Patent No.:** **US D651,671 S**
(45) **Date of Patent:** **** Jan. 3, 2012**

(54) **MEDICINE BALL**

(75) Inventors: **Adam L. Ross**, West Chester, OH (US);
Benjamin P. Boyer, Ridgeley, WV (US)

(73) Assignee: **Exemplar Design, LLC**, Cincinnati, OH (US)

(**) Term: **14 Years**

(21) Appl. No.: **29/390,024**

(22) Filed: **Apr. 19, 2011**

(51) **LOC (9) Cl.** **21-02**

(52) **U.S. Cl.** **D21/680; D21/662**

(58) **Field of Classification Search** D21/662,
D21/677-678, 680-685, 692, 694; 482/92-94,
482/97-111, 114-115, 138

See application file for complete search history.

(56) **References Cited**

U.S. PATENT DOCUMENTS

D242,865	S	*	12/1976	Stamm	D21/682
4,896,880	A	*	1/1990	Caruthers	482/108
4,900,016	A	*	2/1990	Caruthers	482/108
D309,762	S	*	8/1990	Carr	D21/678
D344,113	S	*	2/1994	Shelton et al.	D21/678
D363,752	S	*	10/1995	Shumber et al.	D21/678
D381,719	S	*	7/1997	Pravitz	D21/684
D392,711	S	*	3/1998	Decker	D21/678

6,003,470	A	*	12/1999	Budman	119/711
6,672,993	B2	*	1/2004	Stout	482/55
6,709,371	B2	*	3/2004	Wu	482/108
7,044,820	B2	*	5/2006	Ladisa	441/81
7,326,122	B2	*	2/2008	Park	473/256
D568,950	S	*	5/2008	Yewer, Jr.	D21/662
2011/0263393	A1	*	10/2011	Ross et al.	482/93
2011/0263394	A1	*	10/2011	Viselman	482/93

* cited by examiner

Primary Examiner — Susan E Krakower

(74) *Attorney, Agent, or Firm* — Baker & Hostetler LLP

(57) **CLAIM**

The ornamental design for a medicine ball, as shown and described.

DESCRIPTION

FIG. 1 is a perspective view of a medicine ball, showing our new design;

FIG. 2 is a front elevation view thereof;

FIG. 3 is a right elevation view thereof;

FIG. 4 is a rear elevation view thereof;

FIG. 5 is a left elevation view thereof;

FIG. 6 is a bottom view thereof; and,

FIG. 7 is a top plan view thereof.

The broken lines shown in the drawings illustrate environment and form no part of the claimed design.

1 Claim, 7 Drawing Sheets

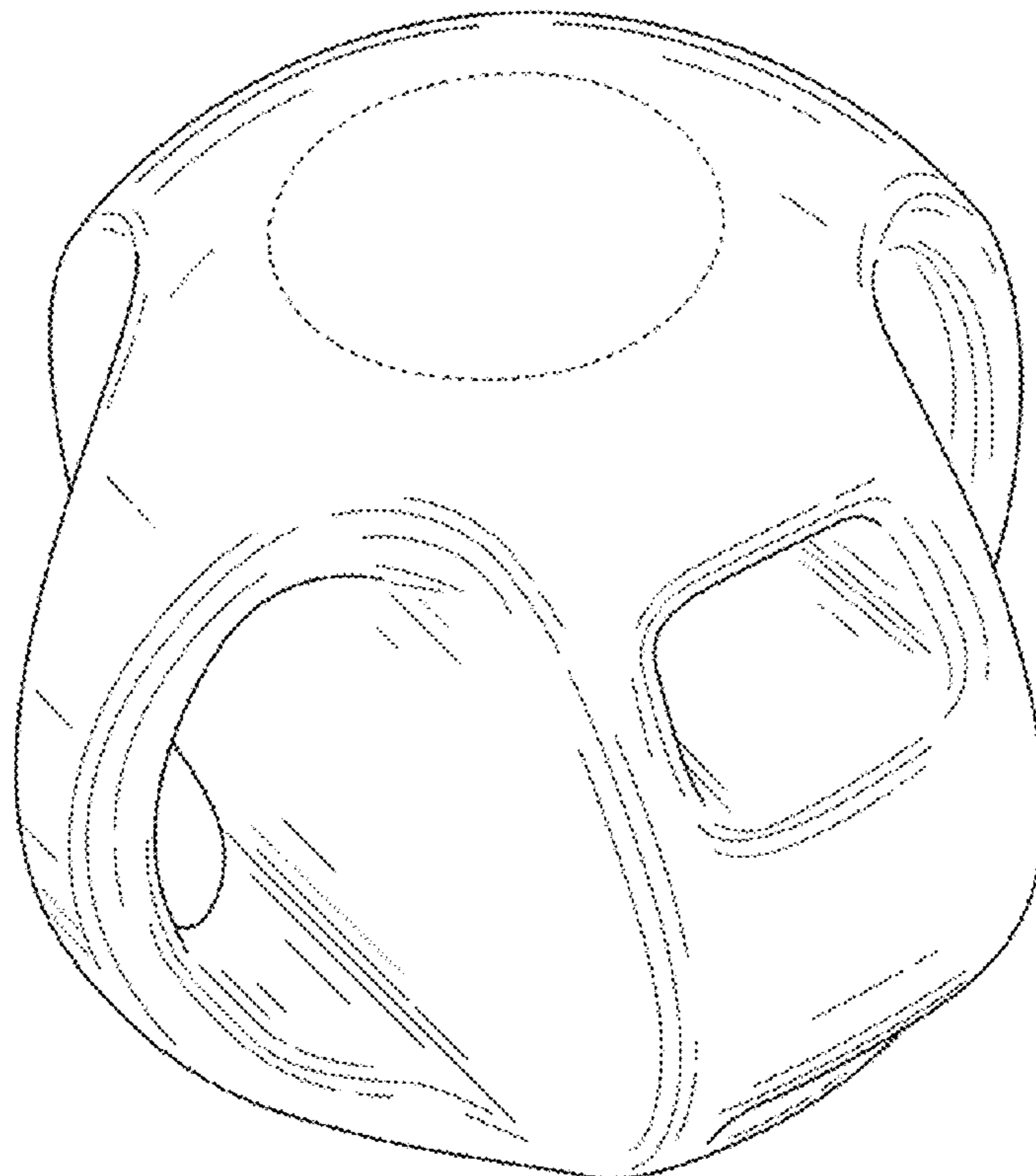




FIG. 1

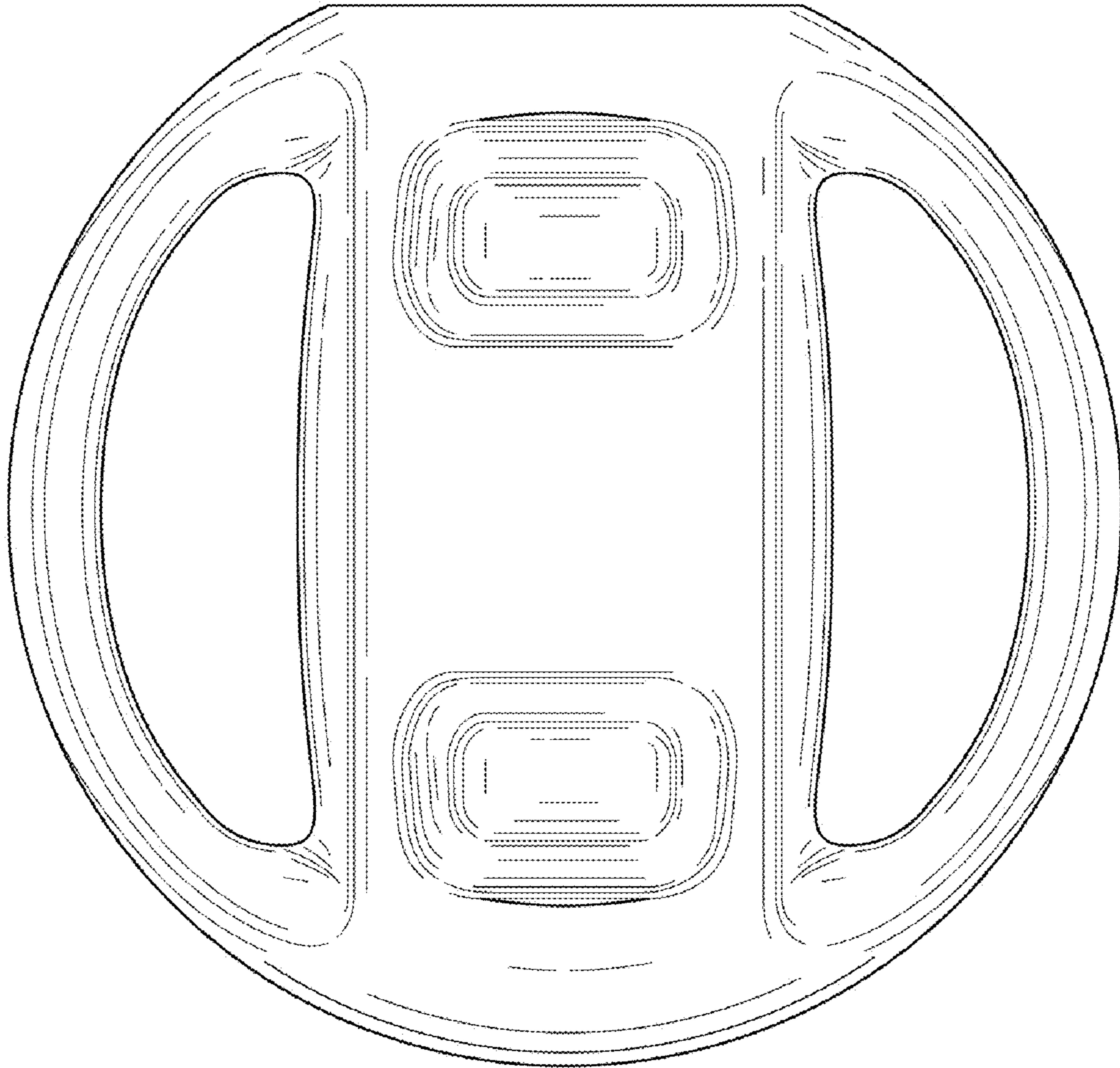


FIG. 2

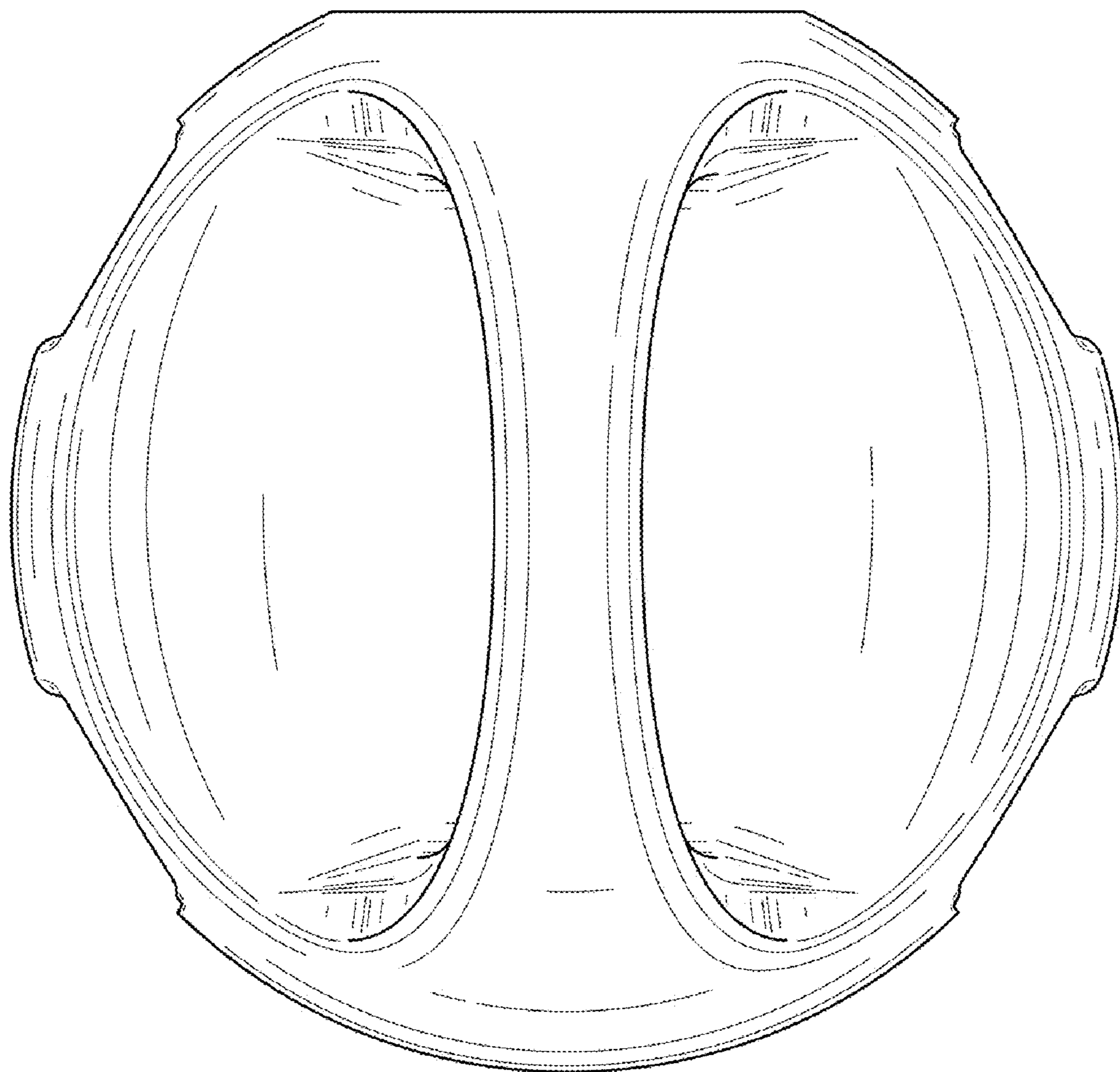


FIG. 3

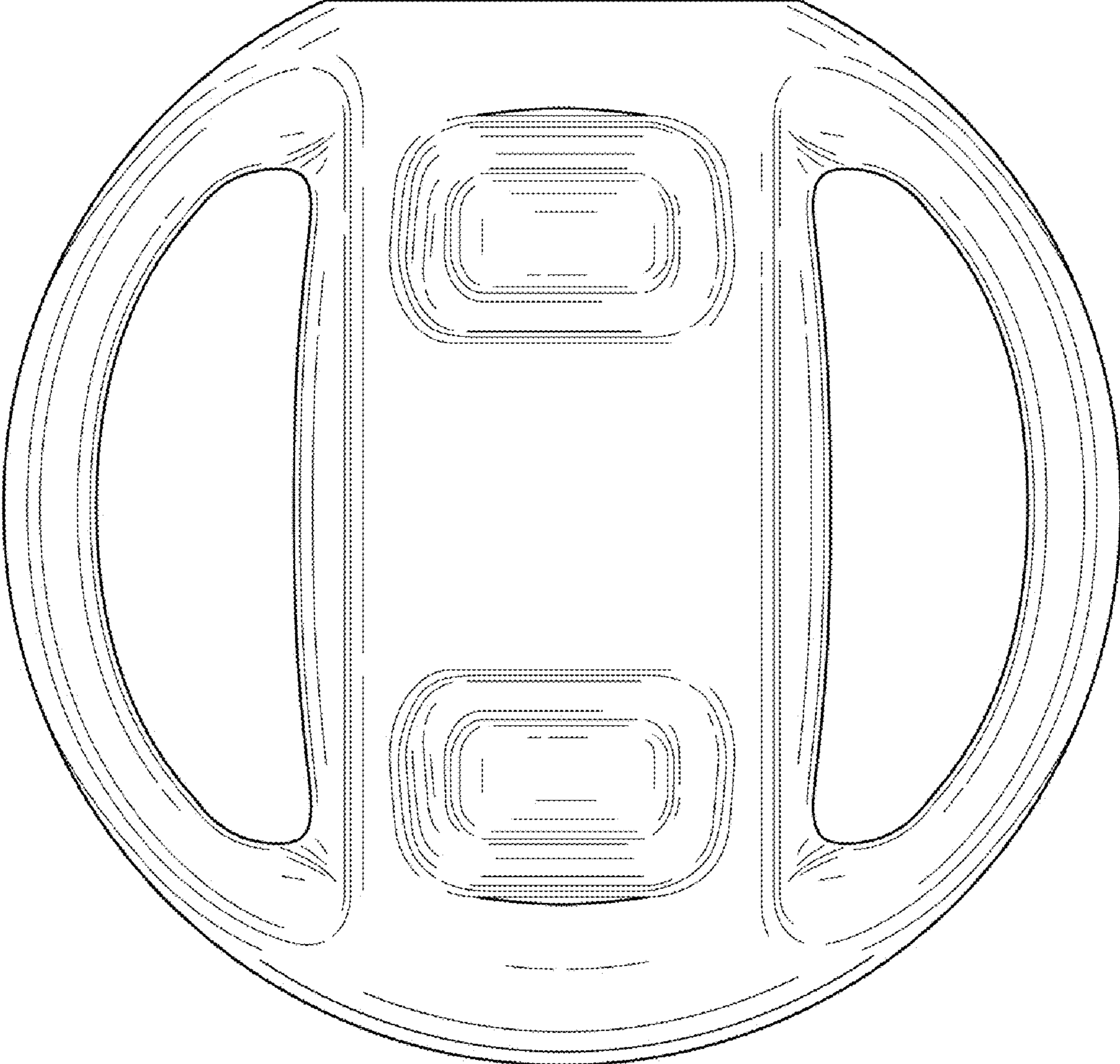


FIG. 4

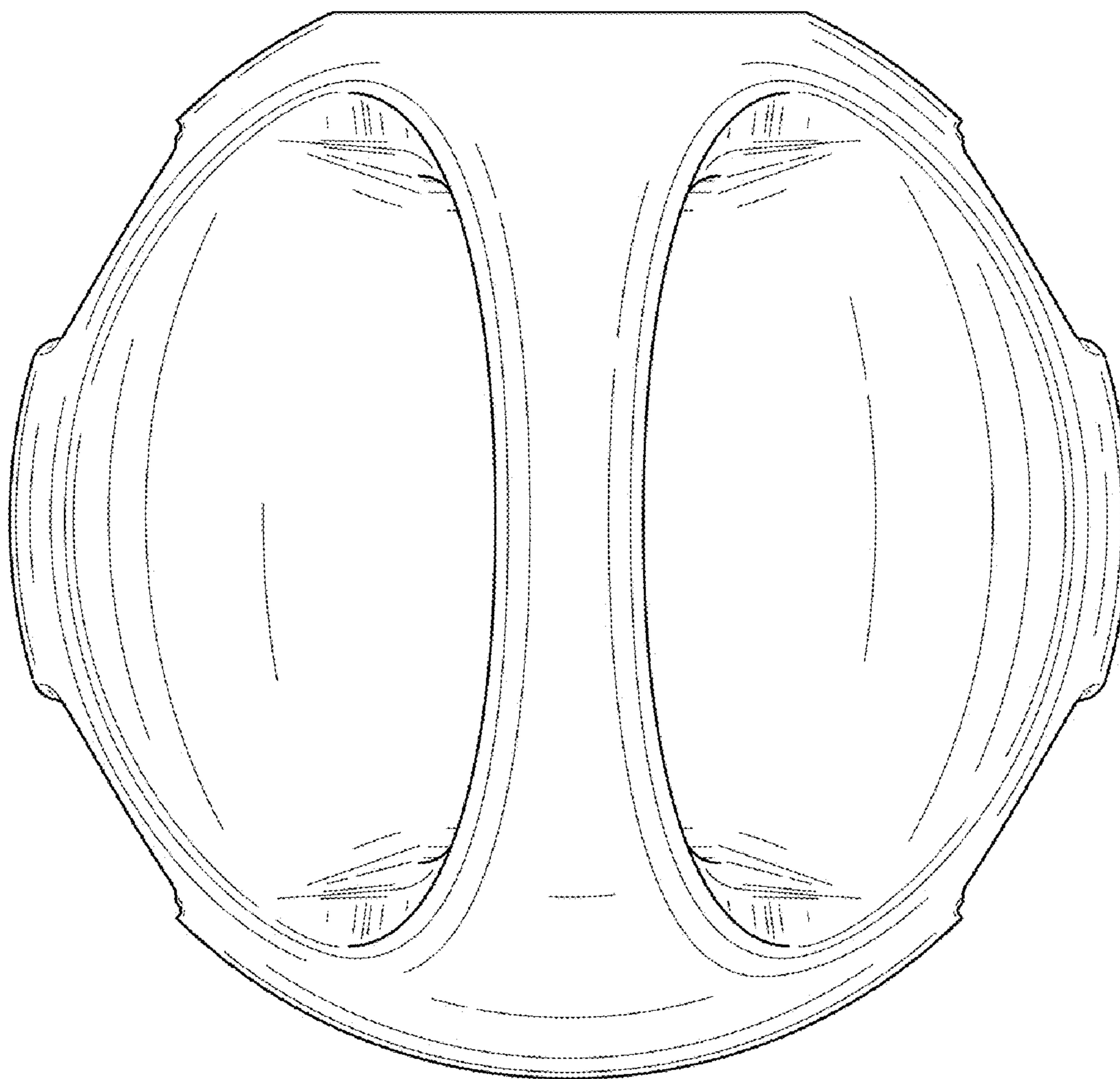


FIG. 5

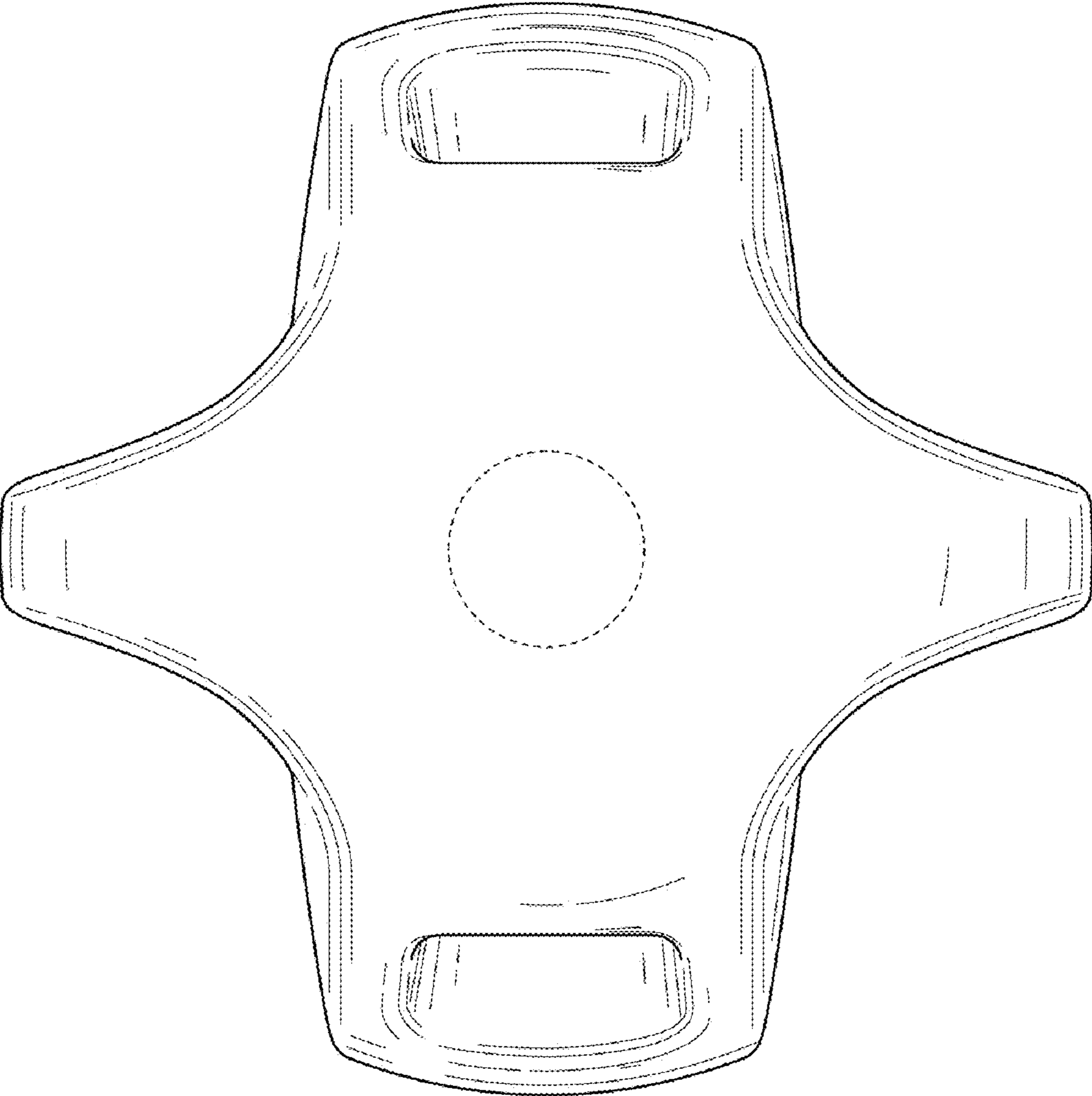


FIG. 6

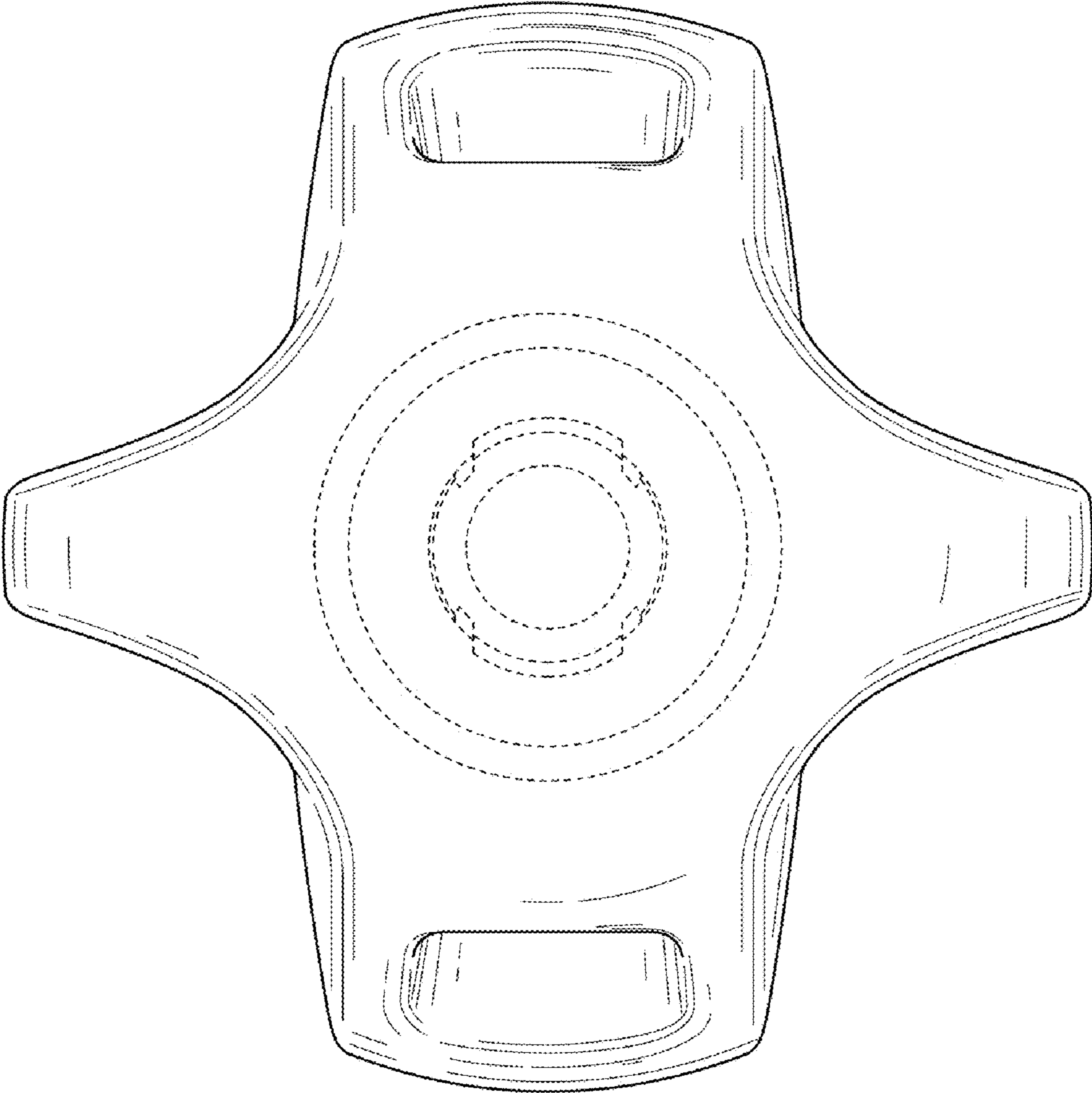


FIG. 7