



US00D651670S

(12) **United States Design Patent**
Calvin

(10) **Patent No.:** **US D651,670 S**

(45) **Date of Patent:** **** Jan. 3, 2012**

(54) **SET OF EXERCISE FIXTURE**

(76) Inventor: **Frank L. Calvin**, Warren, OH (US)

(**) Term: **14 Years**

(21) Appl. No.: **29/385,776**

(22) Filed: **Feb. 18, 2011**

(51) **LOC (9) Cl.** **21-02**

(52) **U.S. Cl.** **D21/662; D21/694**

(58) **Field of Classification Search** D21/662,
D21/694; D6/524, 546, 549; D12/406, 412;
482/93, 121, 122, 124, 125, 126, 127, 128,
482/129; 211/16, 123, 88.04, 87.01, 99;
D24/199; D8/300, 301, 315, 316, 318, 320;
D3/318, 328; 16/412

See application file for complete search history.

(56) **References Cited**

U.S. PATENT DOCUMENTS

872,579	A *	12/1907	Page et al.	16/412
D66,318	S *	12/1924	Baker	D8/316
1,545,122	A *	7/1925	Brown	211/99
1,594,714	A *	8/1926	Eustis et al.	211/123
1,972,282	A *	9/1934	Wittstein	211/123
2,402,127	A *	6/1946	Cohn	211/123
D162,337	S	3/1950	O’Gatty	
2,666,640	A	1/1954	Jennings, Sr.	
D255,716	S *	7/1980	Giesa	D24/199
D265,575	S	7/1982	Lunford	
D267,274	S *	12/1982	Horgan, Jr.	D25/48
D267,419	S	12/1982	Komarnicki	
D337,071	S *	7/1993	Hogue	D11/131
5,358,326	A *	10/1994	Cherry et al.	312/405
D377,571	S *	1/1997	Sharpe	D6/548
D407,293	S *	3/1999	Haggard	D8/320
D438,040	S *	2/2001	Funk	D6/524
D459,930	S *	7/2002	Snell	D6/549
D469,329	S *	1/2003	Martin	D8/301
D478,144	S	8/2003	Fredriksson	
D486,020	S *	2/2004	Hoernig	D6/549
D487,368	S *	3/2004	Hoernig	D6/546
6,827,324	B1	12/2004	Yother	
D527,776	S *	9/2006	Willardson et al.	D21/694

D536,753	S	2/2007	Rongo	
D575,722	S *	8/2008	Beauchamp et al.	D12/412
D593,169	S	5/2009	Storch	
D607,519	S	1/2010	Calvin	
7,758,477	B2 *	7/2010	Prenatt	482/93
D623,707	S	9/2010	Ritchie	
2006/0076786	A1 *	4/2006	Shaygan	292/288
2007/0194576	A1 *	8/2007	Esposito et al.	292/143
2008/0251305	A1 *	10/2008	Shin	180/69.21

* cited by examiner

Primary Examiner — Susan E Krakower

(74) *Attorney, Agent, or Firm* — QuickPatents, Inc.; Kevin Prince

(57) **CLAIM**

The ornamental design for a set of exercise fixtures, as shown and described.

DESCRIPTION

FIG. 1 is a perspective view of a set of exercise fixtures, showing the new design that includes a short and a tall fixture; FIG. 2 is a front elevational view of the short fixture, shown separately for ease of illustration; FIG. 3 is a left-side elevational view of FIG. 2, the right-side elevational view being a mirror image thereof; FIG. 4 is a rear elevational view of FIG. 2; FIG. 5 is a top plan view of FIG. 2, the bottom plan view being a mirror image thereof; FIG. 6 is a front elevational view of the tall fixture, shown separately for ease of illustration; FIG. 7 is a left-side elevational view of FIG. 6, the right-side elevational view being a mirror image thereof; and, FIG. 8 is a rear elevational view of FIG. 6.

The broken lines showing a wall, floor, and additional short fixtures in FIG. 1 depict environmental matter, and form no part of the claimed design. It is understood that the top plan view of the short fixture of FIG. 5 is identical to that of the tall fixture.

Likewise, it is understood that the bottom plan view of the tall fixture is a mirror image of FIG. 5.

1 Claim, 3 Drawing Sheets

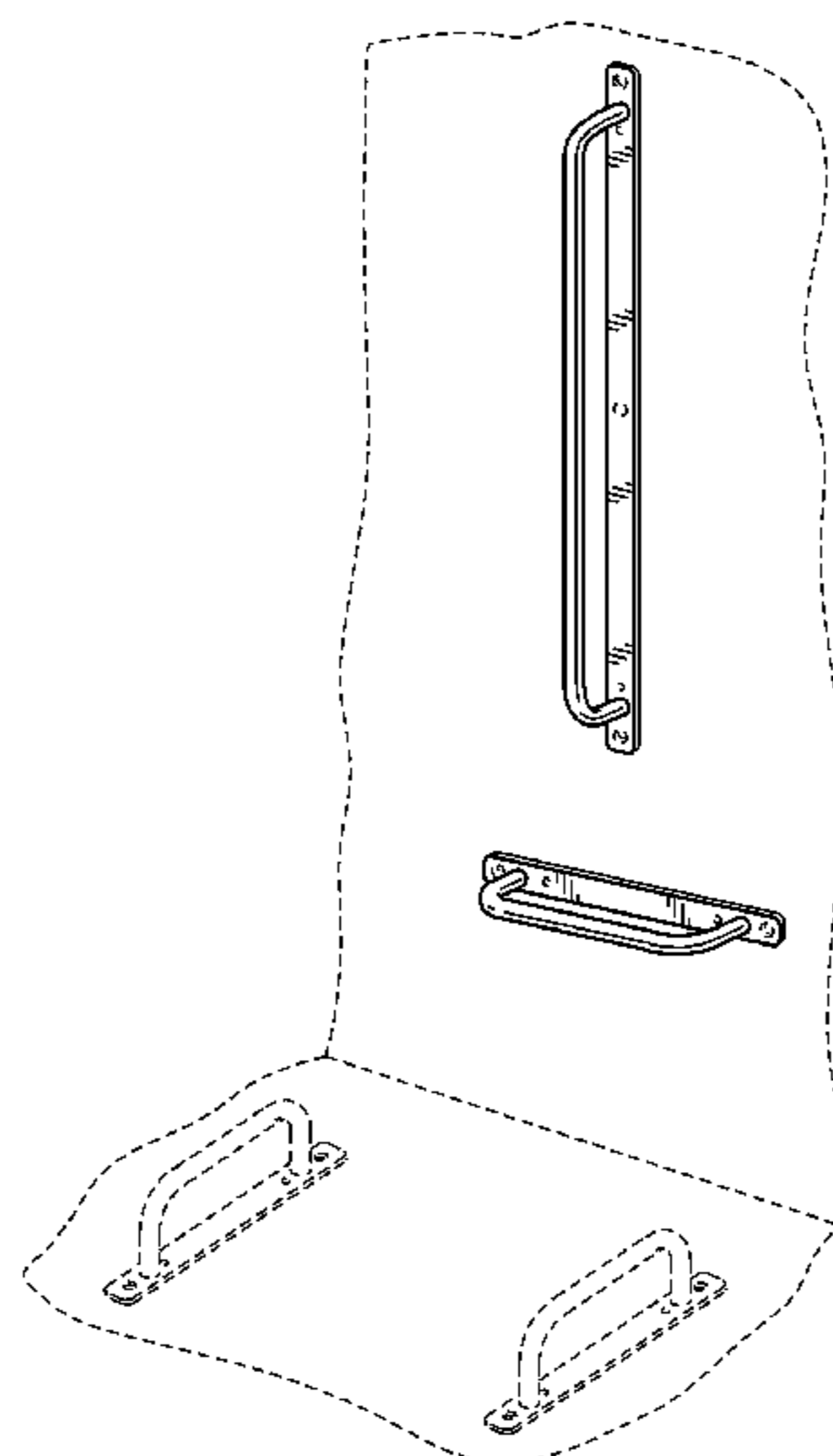
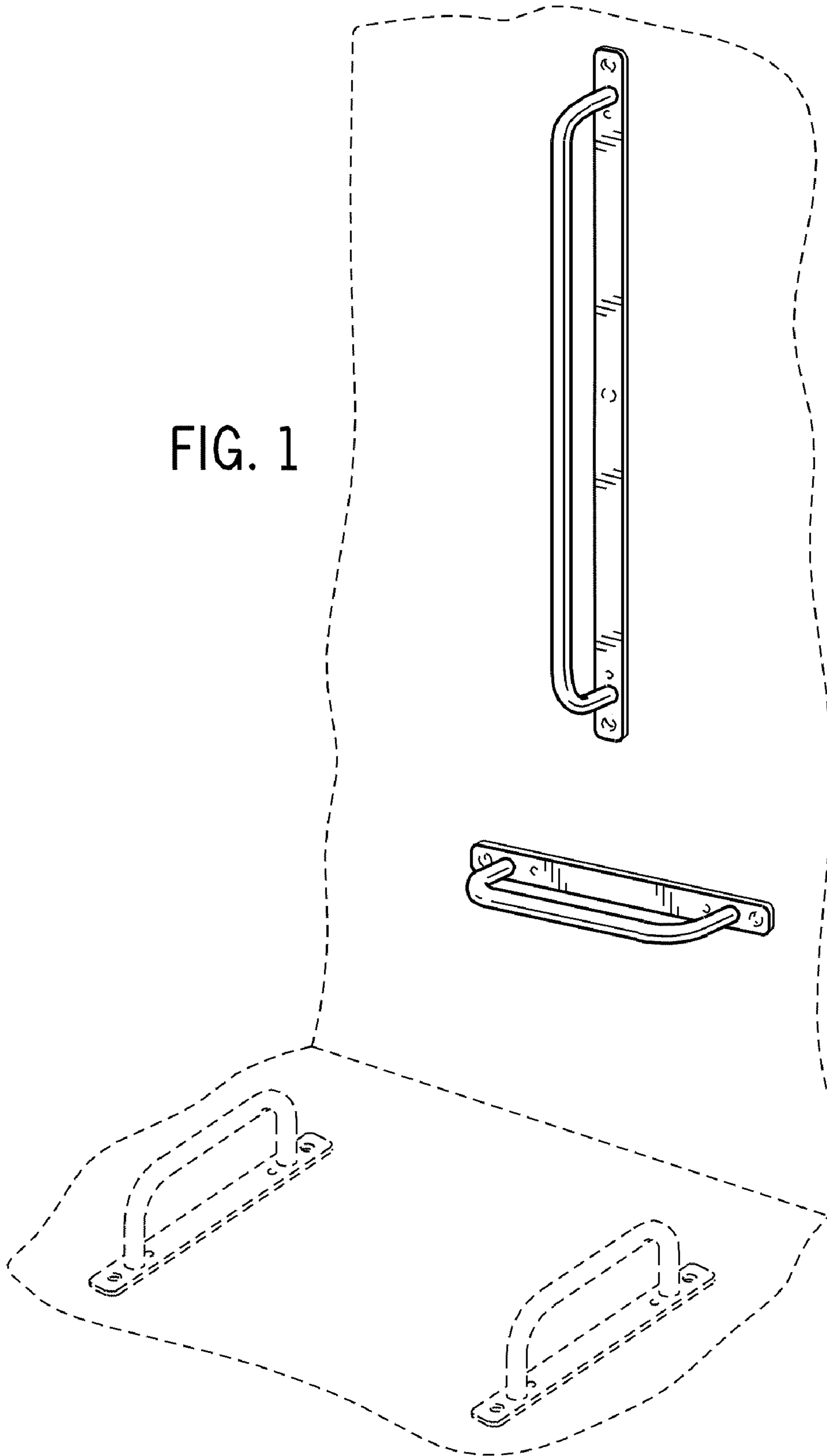


FIG. 1



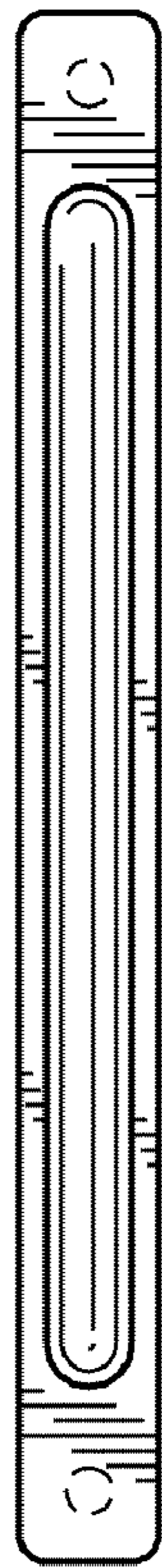


FIG. 2

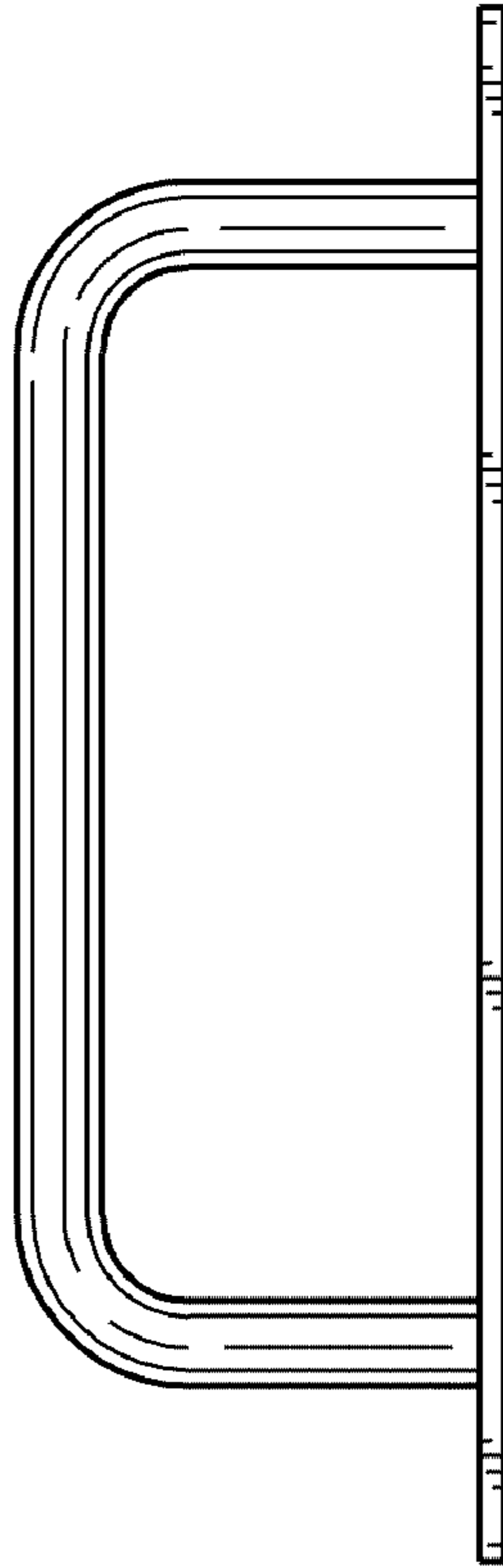


FIG. 3

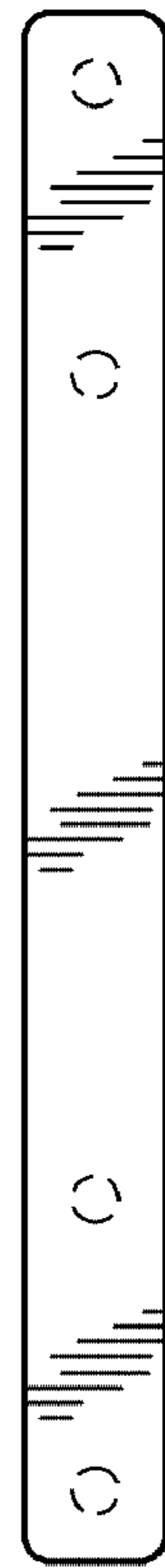


FIG. 4

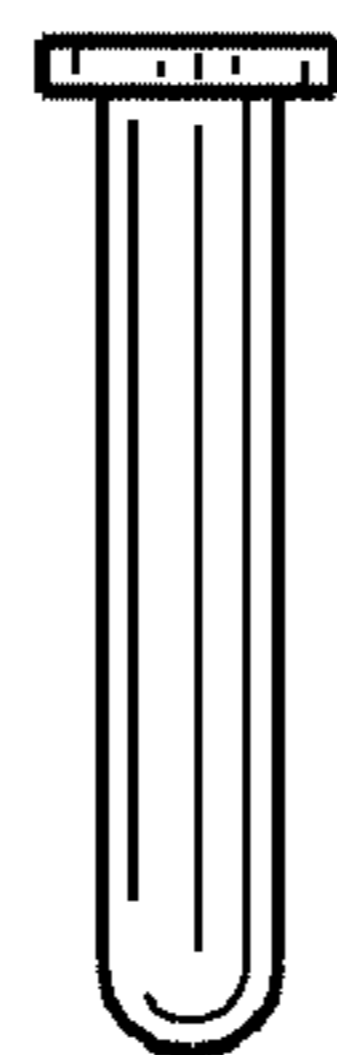


FIG. 5

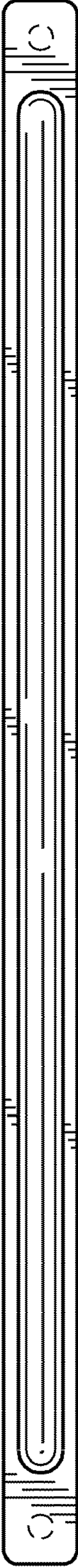


FIG. 6

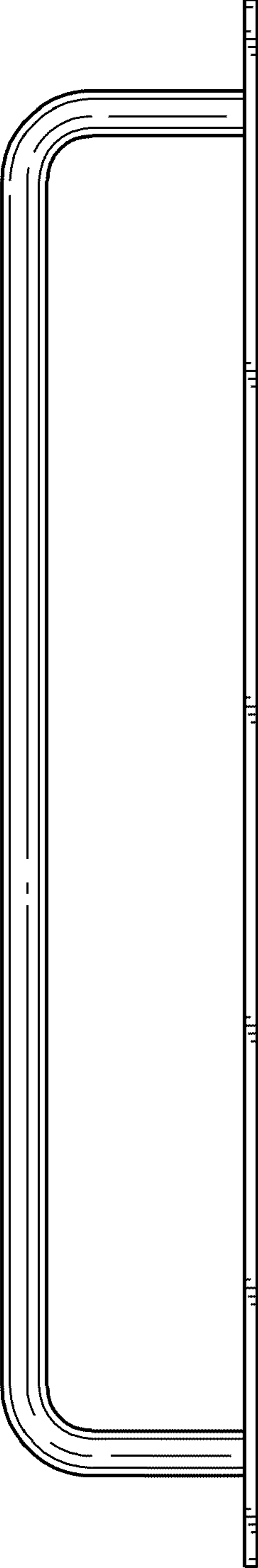


FIG. 7



FIG. 8