



US00D651669S

(12) **United States Design Patent**
Garland et al.

(10) **Patent No.:** **US D651,669 S**
(45) **Date of Patent:** **** *Jan. 3, 2012**

(54) **PUSH-UP EXERCISE DEVICE**
(75) Inventors: **Tylor Hilton Garland**, Studio City, CA (US); **Jayson White Pegler**, Moorpark, CA (US); **Ian Coats MacColl**, Mill Valley, CA (US); **Alden Morris Mills**, Kentfield, CA (US)

(73) Assignee: **Perfect Pushup LLC**, Sausalito, CA (US)

(*) Notice: This patent is subject to a terminal disclaimer.

(**) Term: **14 Years**

(21) Appl. No.: **29/380,082**

(22) Filed: **Nov. 30, 2010**

(51) **LOC (9) Cl.** **21-02**

(52) **U.S. Cl.** **D21/662**

(58) **Field of Classification Search** D21/662,
D21/679, 680, 684, 686, 694; 482/91, 92,
482/95, 96, 104-110, 132, 141, 148

See application file for complete search history.

(56) **References Cited**

U.S. PATENT DOCUMENTS

3,115,338	A *	12/1963	Acs et al.	482/141
D202,534	S *	10/1965	McNair	D24/211
3,809,393	A *	5/1974	Jones	482/132
4,351,525	A	9/1982	Rozenblad	
4,768,778	A	9/1988	Thomas, Jr.	
4,892,305	A *	1/1990	Lynch	482/132
D364,902	S	12/1995	Fleming	
6,471,623	B1	10/2002	Lin	
D479,289	S	9/2003	Turner	
D491,777	S *	6/2004	Wenisch	D8/45
6,773,379	B1 *	8/2004	Bing	482/132

D523,493	S *	6/2006	Horton	D21/662
D576,693	S	9/2008	Khubani	
D579,503	S	10/2008	Hauser et al.	
7,468,025	B2	12/2008	Hauser et al.	
D585,947	S *	2/2009	Royster	D21/662
D593,168	S	5/2009	Khubani	
D597,153	S	7/2009	Friedman et al.	
D599,417	S *	9/2009	Friedman et al.	D21/662
D631,106	S *	1/2011	Zemel	D21/662
7,896,788	B1 *	3/2011	Schall	482/141
7,896,789	B2 *	3/2011	Hinton et al.	482/141
2006/0035771	A1 *	2/2006	Gant	482/141
2006/0040809	A1 *	2/2006	Godbold	482/141
2010/0130337	A1 *	5/2010	Stewart	482/121

* cited by examiner

Primary Examiner — Susan E Krakower

(74) *Attorney, Agent, or Firm* — Charter IP LLC; Matthew J. Lattig

(57) **CLAIM**

The ornamental design for a push-up exercise device, as shown and described.

DESCRIPTION

FIG. 1 is a perspective view of a push-up exercise device showing our new design.

FIG. 2 is a front elevational view thereof, the rear elevational view being a mirror image of the front elevational view and therefore not illustrated.

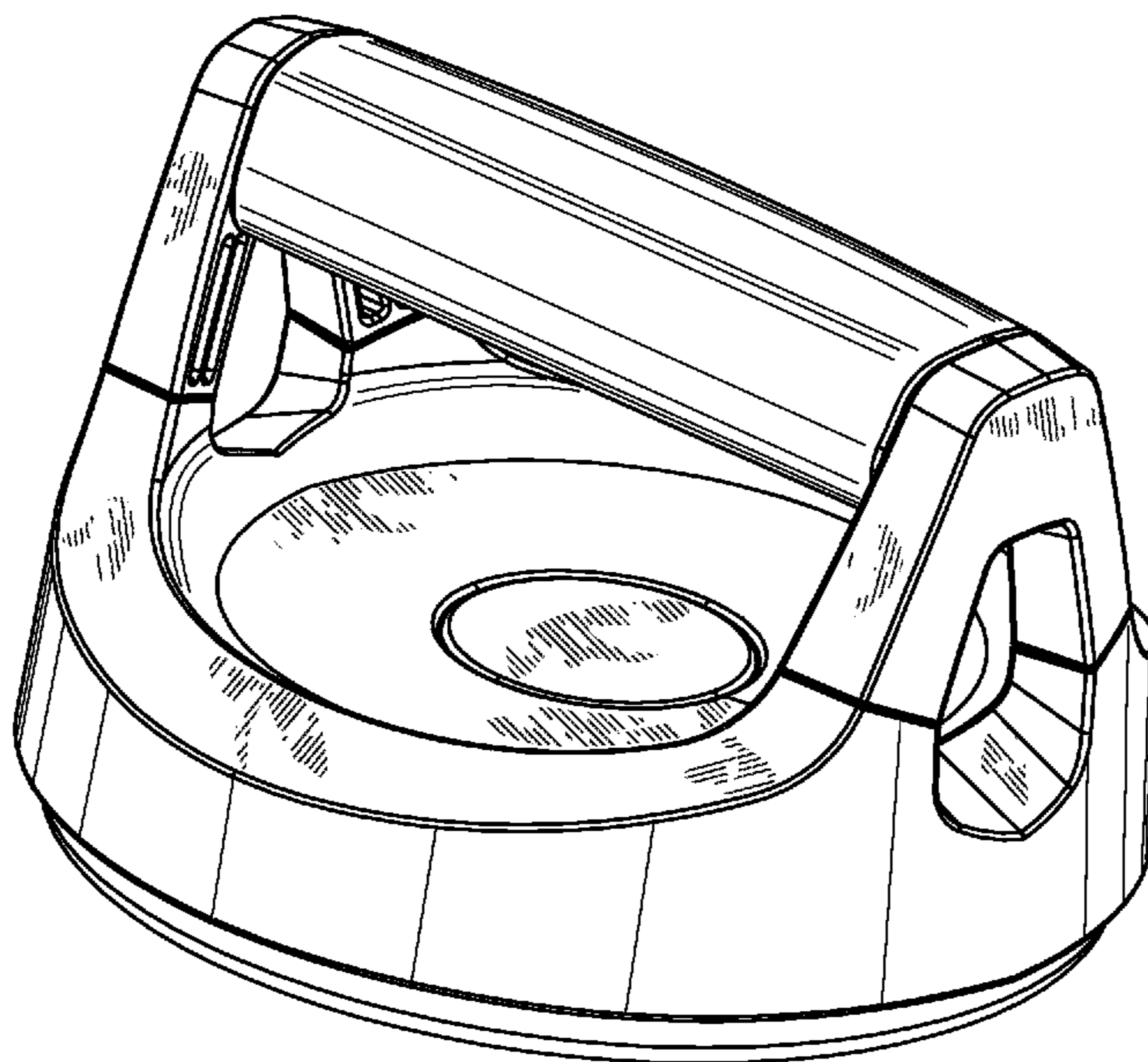
FIG. 3 is a right side elevational view thereof, the left side elevational view being a mirror image of the right side elevational view and therefore not illustrated.

FIG. 4 is a top plan view thereof; and,

FIG. 5 is a bottom plan view thereof.

The broken lines illustrate portions of the push-up exercise device which forms no part of the claimed design.

1 Claim, 4 Drawing Sheets



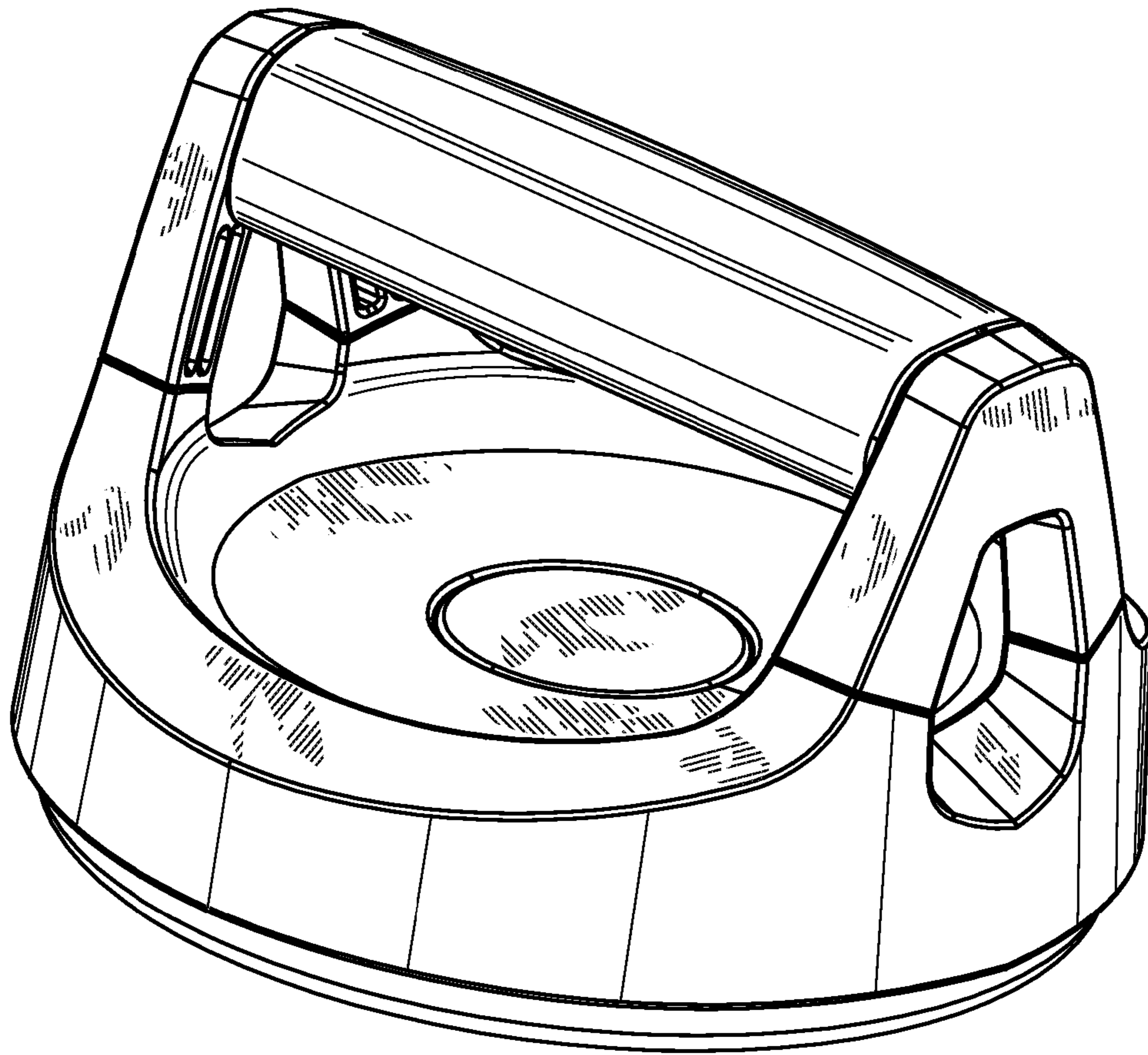


FIG. 1

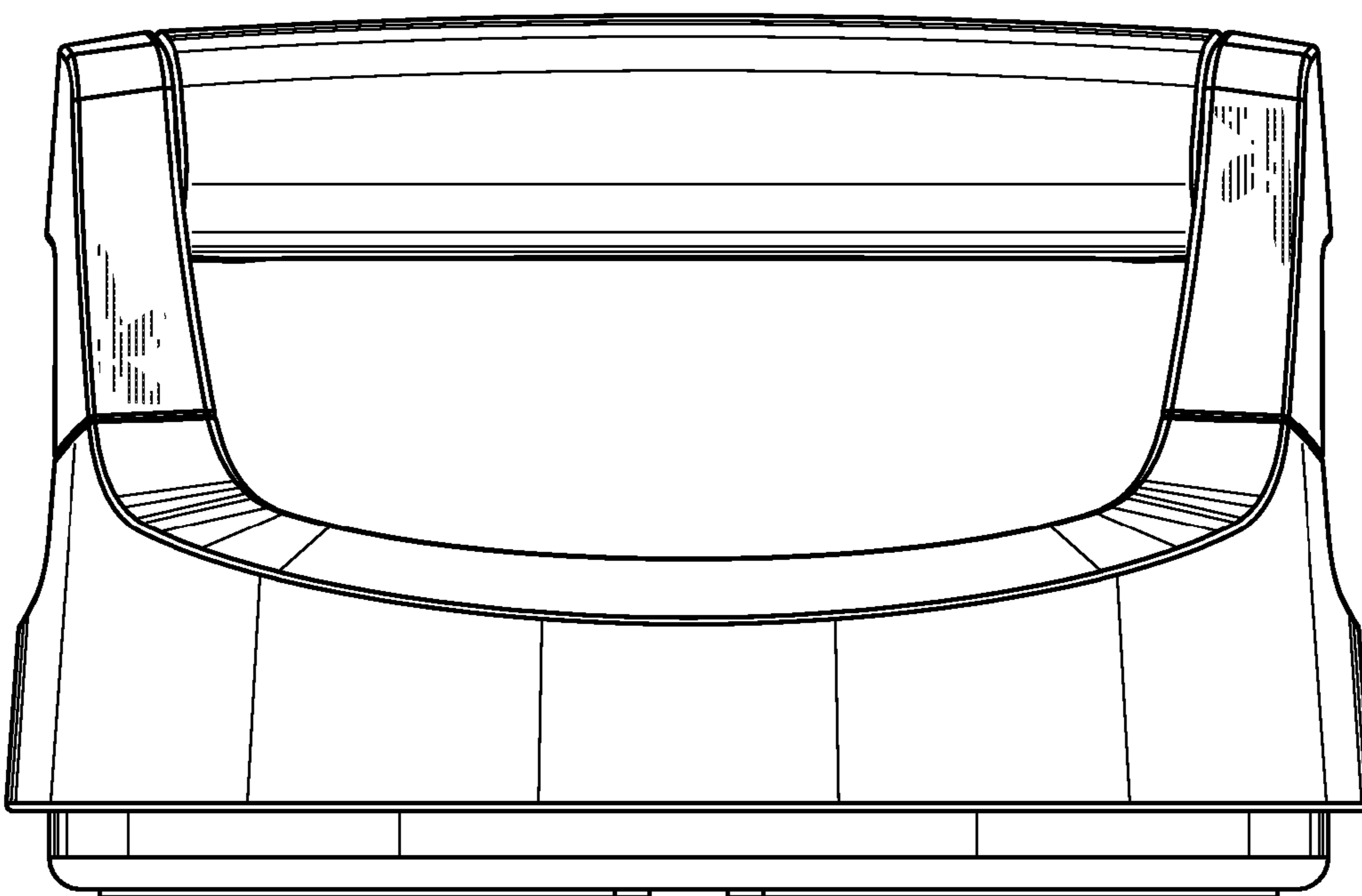


FIG. 2

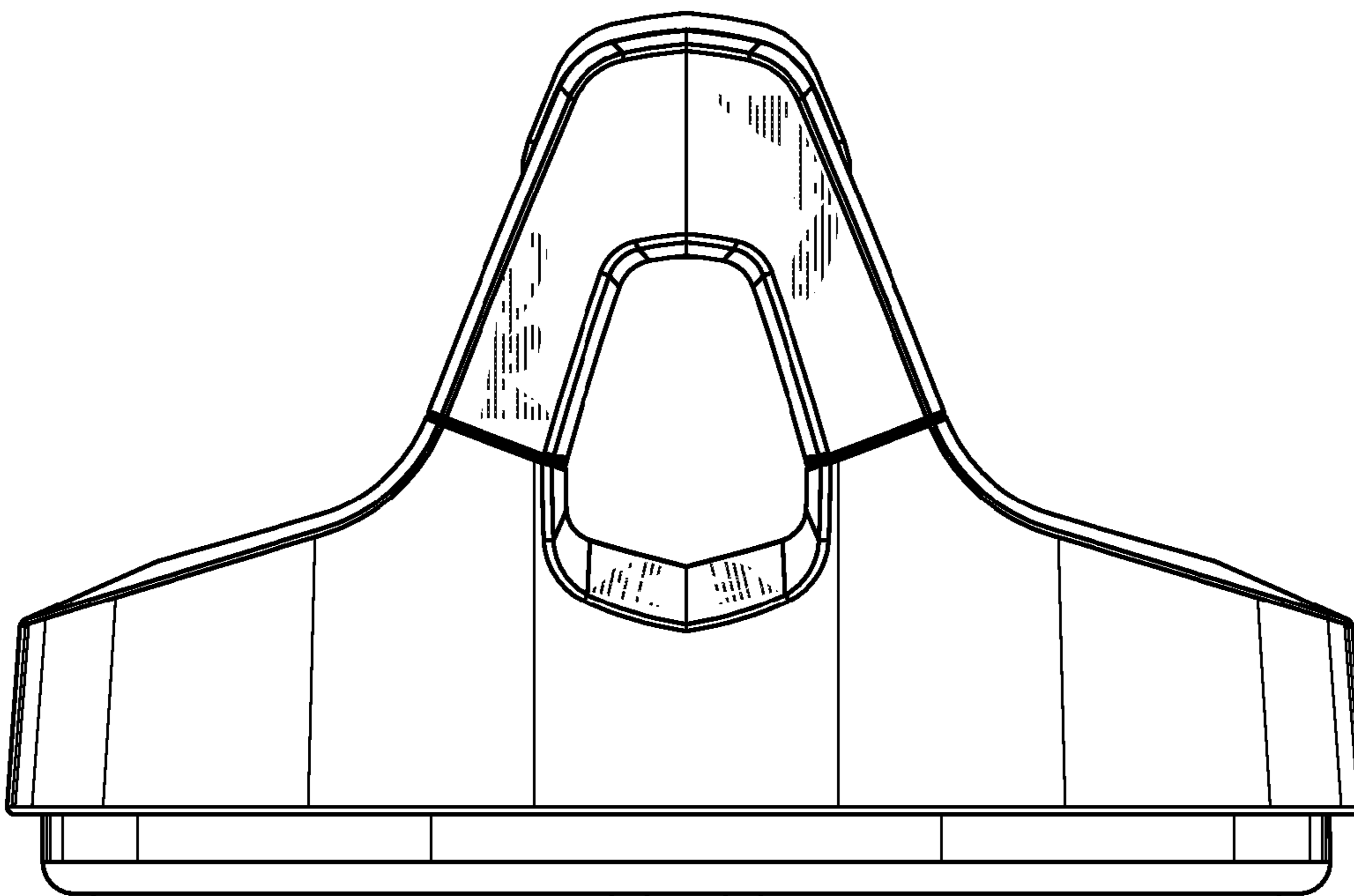


FIG. 3

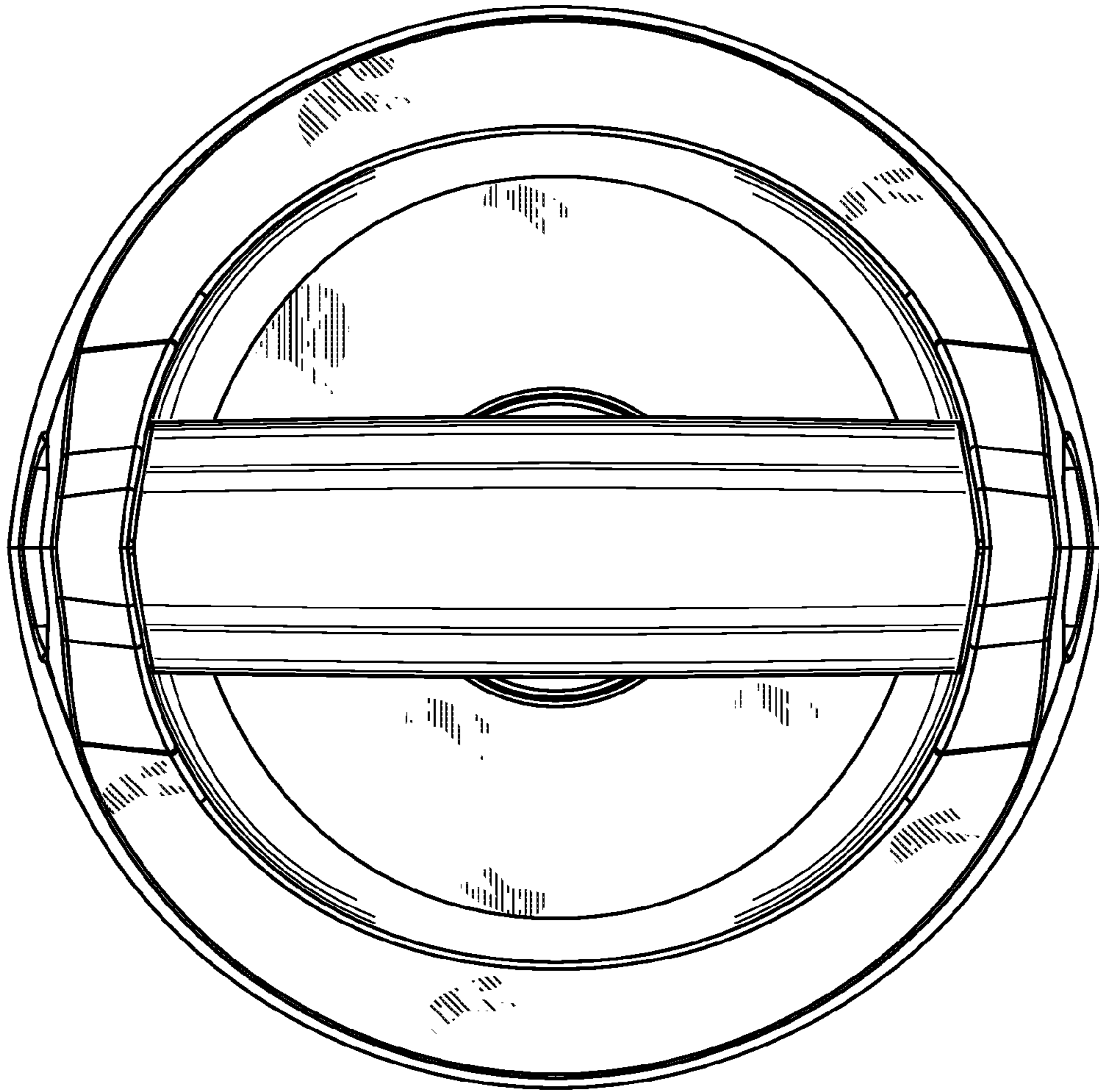


FIG. 4

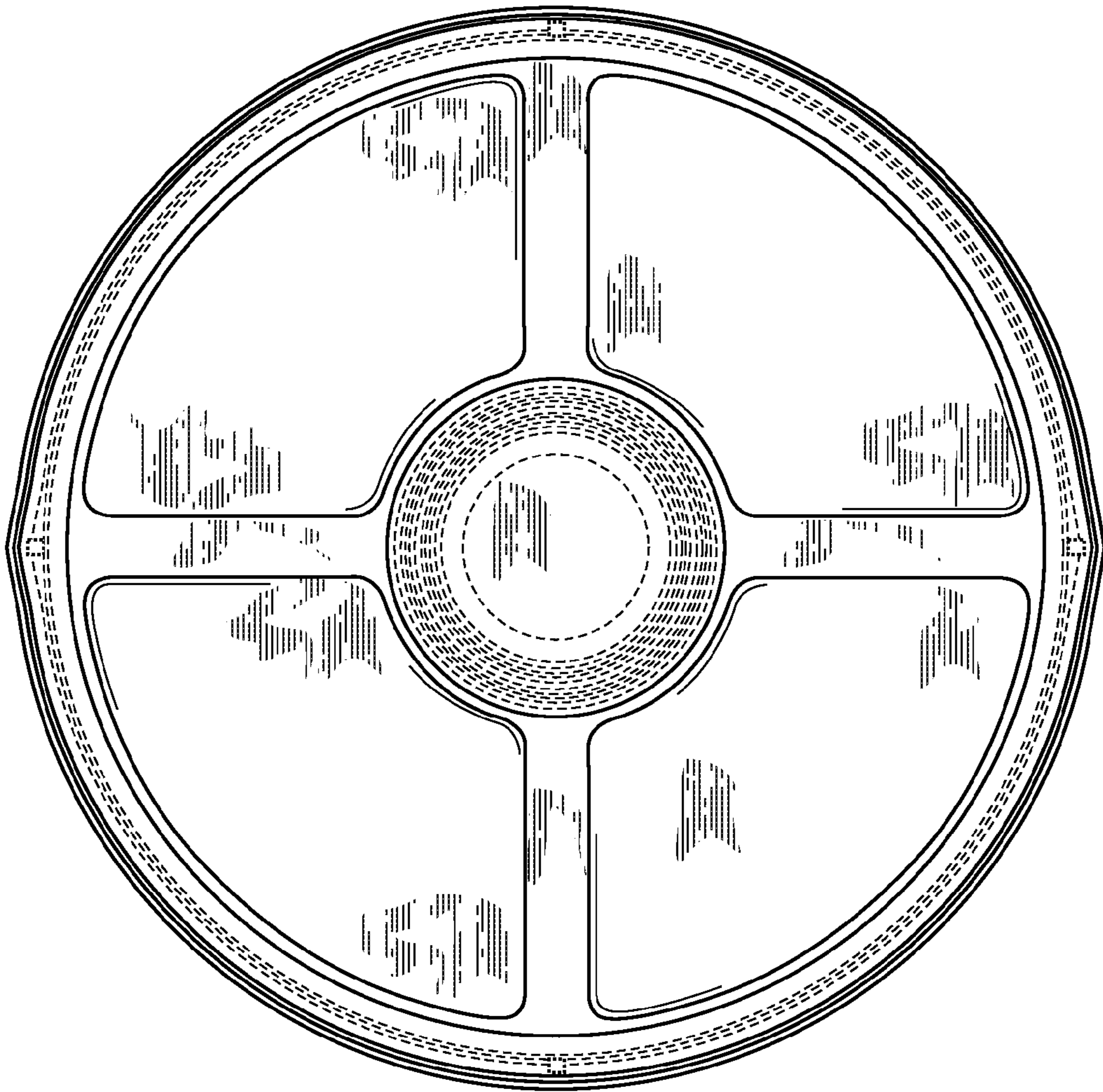


FIG. 5