



US00D651660S

(12) **United States Design Patent**
Seckel et al.

(10) **Patent No.:** **US D651,660 S**
(45) **Date of Patent:** **** Jan. 3, 2012**

(54) **WAGON**

(75) Inventors: **Tim Seckel**, Streamwood, IL (US);
Joseph Agati, Chicago, IL (US); **Todd Herlitz**, Chicago, IL (US); **Earle Cramer**, Chicago, IL (US)

(73) Assignee: **Radio Flyer Inc.**, Chicago, IL (US)

(**) Term: **14 Years**

(21) Appl. No.: **29/360,263**

(22) Filed: **Apr. 22, 2010**

(51) **LOC (9) Cl.** **21-01**

(52) **U.S. Cl.** **D21/425**

(58) **Field of Classification Search** D21/419,
D21/424-246, 534-536; D12/17, 19, 20,
D12/102, 105, 129; D34/12; 280/87.01,
280/87.021, 87.043, 47.17, 47.25, 47.34,
280/47.38, 47.4, 204, 639, 651

See application file for complete search history.

(56) **References Cited**

U.S. PATENT DOCUMENTS

D369,629 S 5/1996 Pasin et al.
5,538,267 A 7/1996 Pasin et al.
D382,309 S 8/1997 Brown et al.
D388,473 S 12/1997 Pasin et al.
D389,532 S 1/1998 van Huystee
D403,026 S 12/1998 Pasin

D437,006 S 1/2001 Pardi
D455,463 S 4/2002 Martin et al.
D483,419 S 12/2003 Chiappetta et al.
6,932,365 B2 8/2005 Chiappetta et al.
D547,391 S 7/2007 Johnson et al.
D562,412 S 2/2008 Tremblay et al.
D564,039 S 3/2008 Rodriguez et al.
D566,200 S 4/2008 Seckel et al.
7,487,977 B2* 2/2009 Johnson 280/47.34
2004/0232639 A1* 11/2004 Chiappetta et al. 280/47.34
2008/0122191 A1 5/2008 Johnson

* cited by examiner

Primary Examiner — Cynthia M Chin

(74) *Attorney, Agent, or Firm* — R. Blake Johnston, Esq.;
DLA Piper LLP (US)

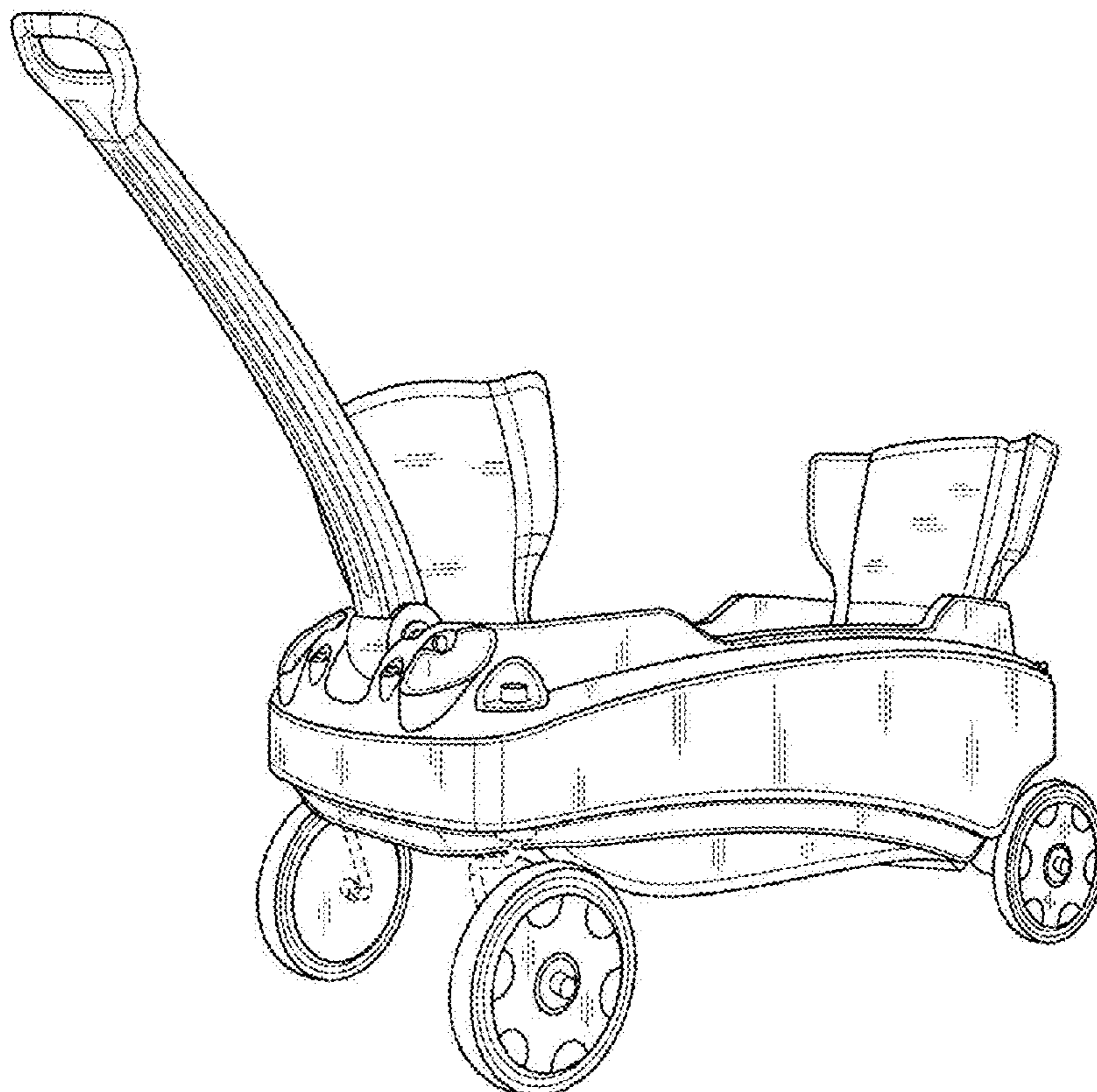
(57) **CLAIM**

The ornamental design for a wagon, as shown and described.

DESCRIPTION

FIG. 1 is a perspective view of the wagon;
FIG. 2 is a right side elevational view of the wagon;
FIG. 3 is a left side elevational view of the wagon;
FIG. 4 is a top plan view of the wagon;
FIG. 5 is a bottom plan view of the wagon;
FIG. 6 is a front elevational view of the wagon; and,
FIG. 7 is a rear elevational view of the wagon.
The broken lines shown are included for the purpose of illustrating the unclaimed portions of the article and form no part of the claimed design.

1 Claim, 4 Drawing Sheets



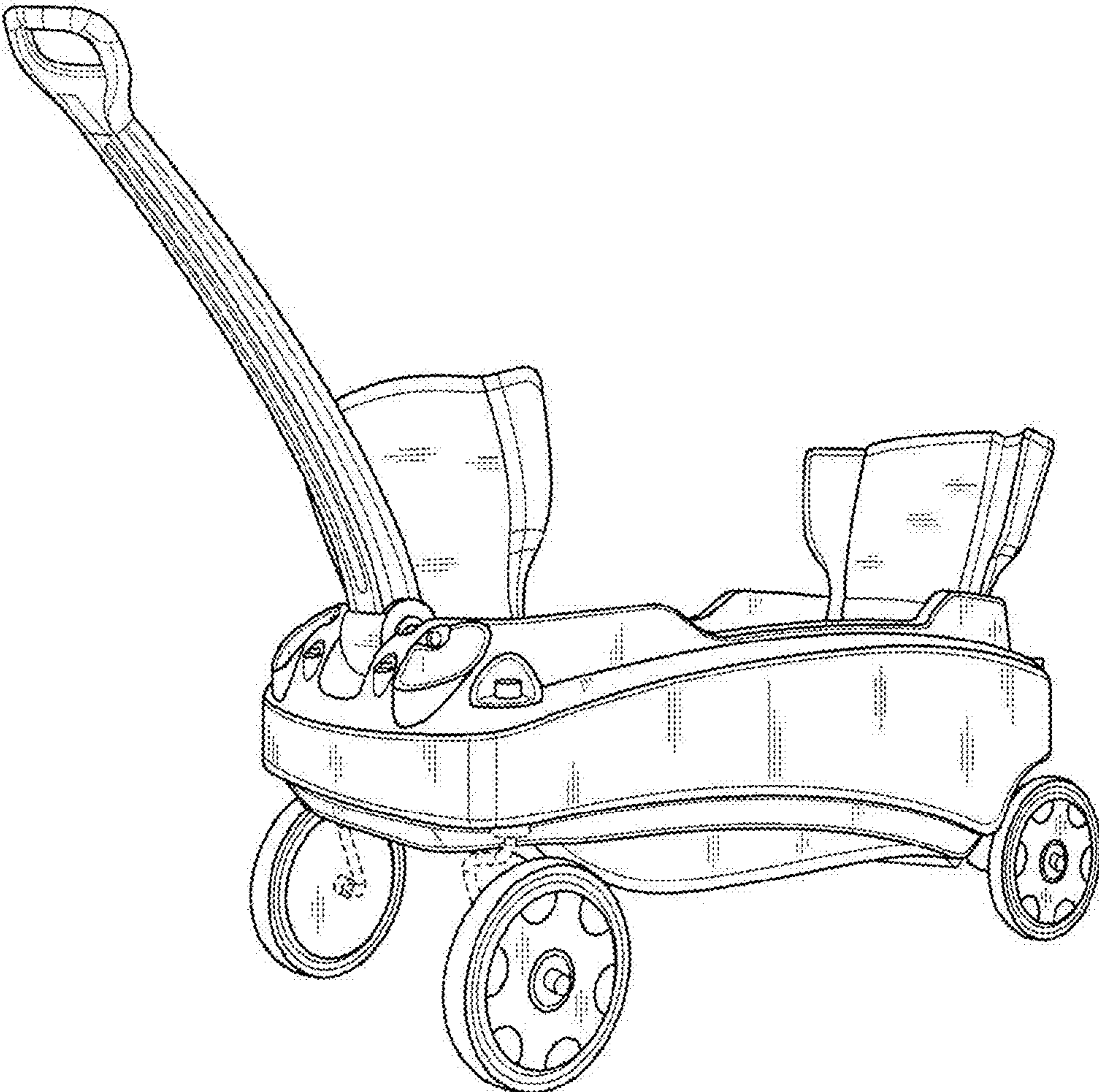


FIG. 1

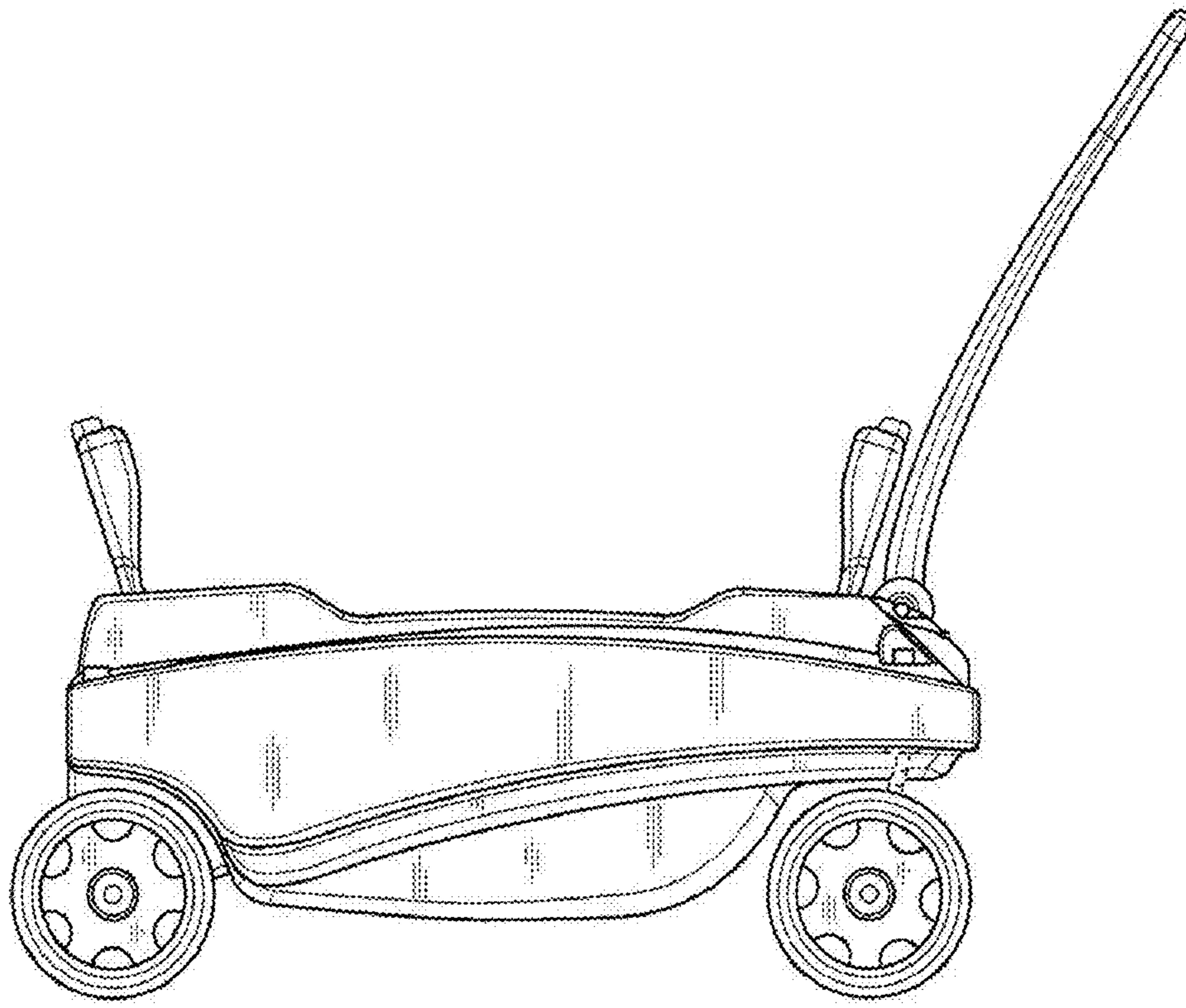


FIG. 2

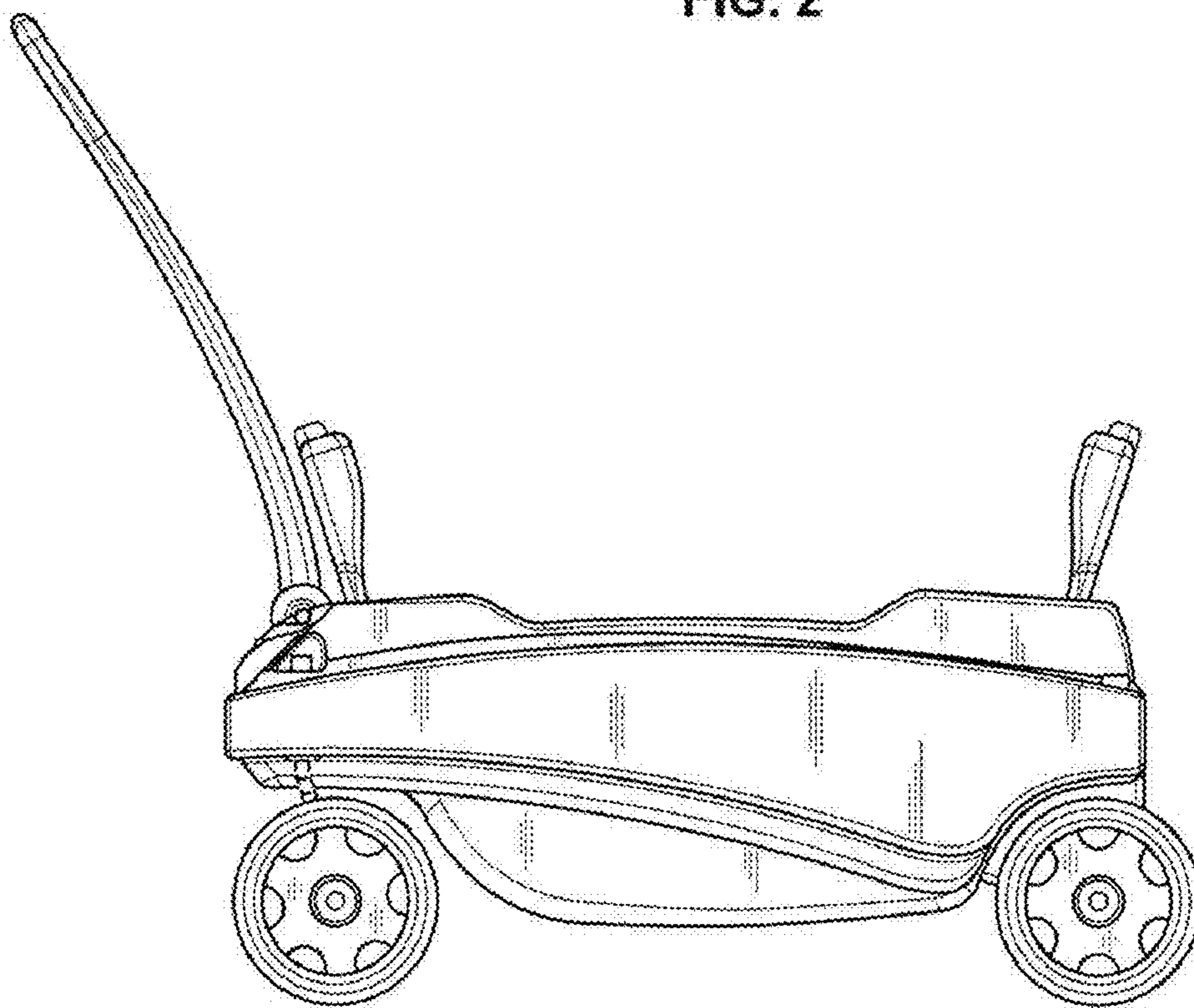


FIG. 3

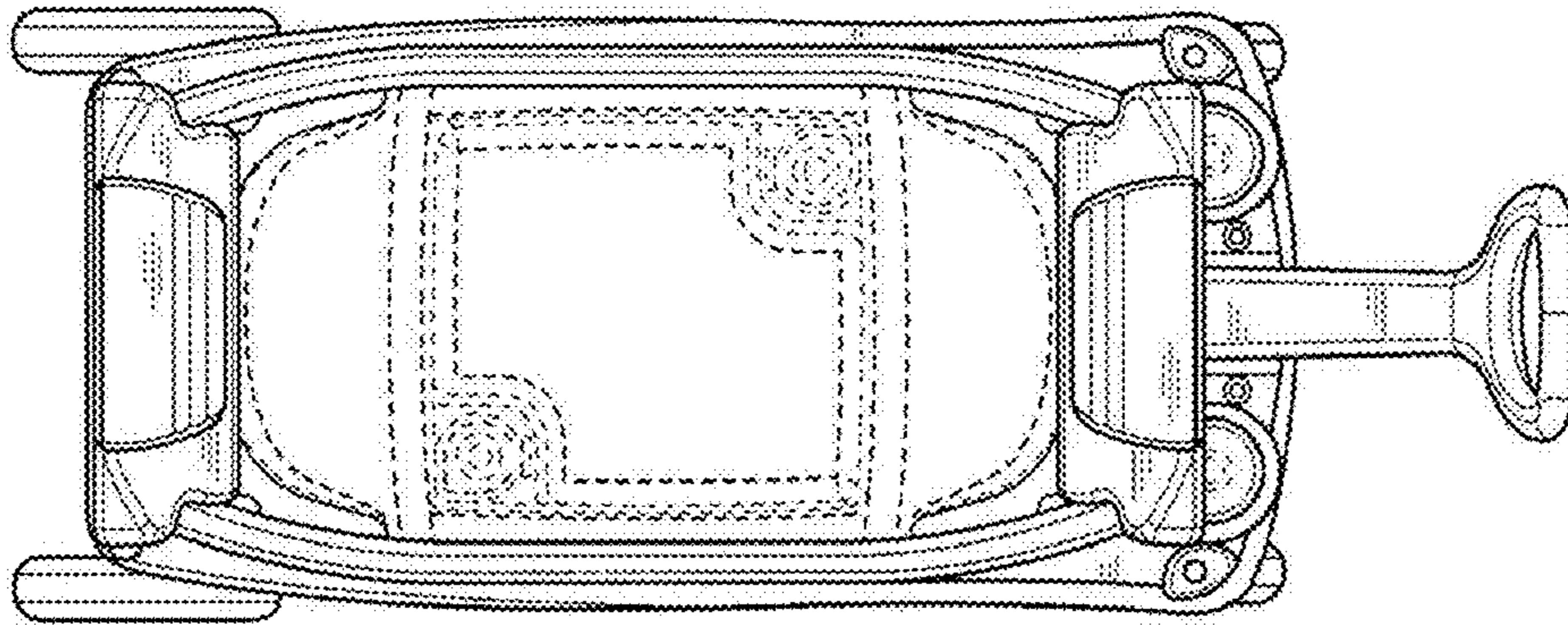


FIG. 4

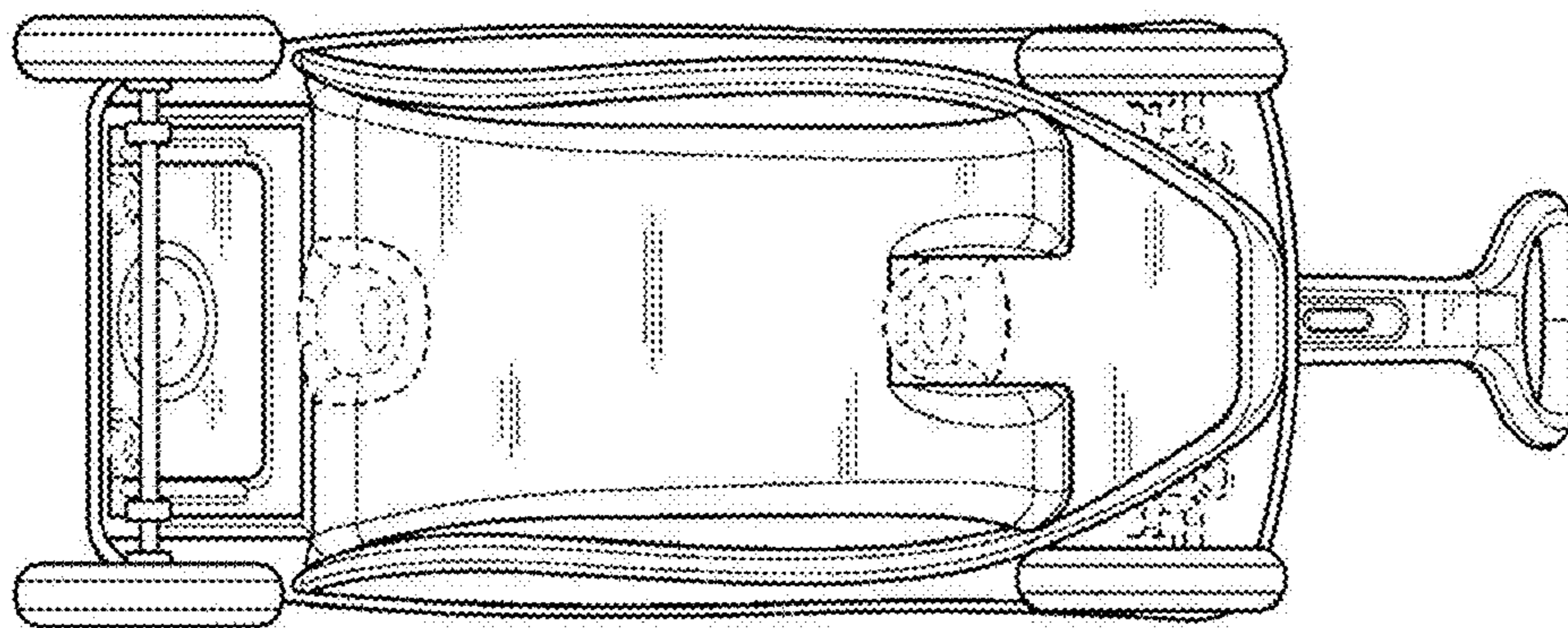


FIG. 5

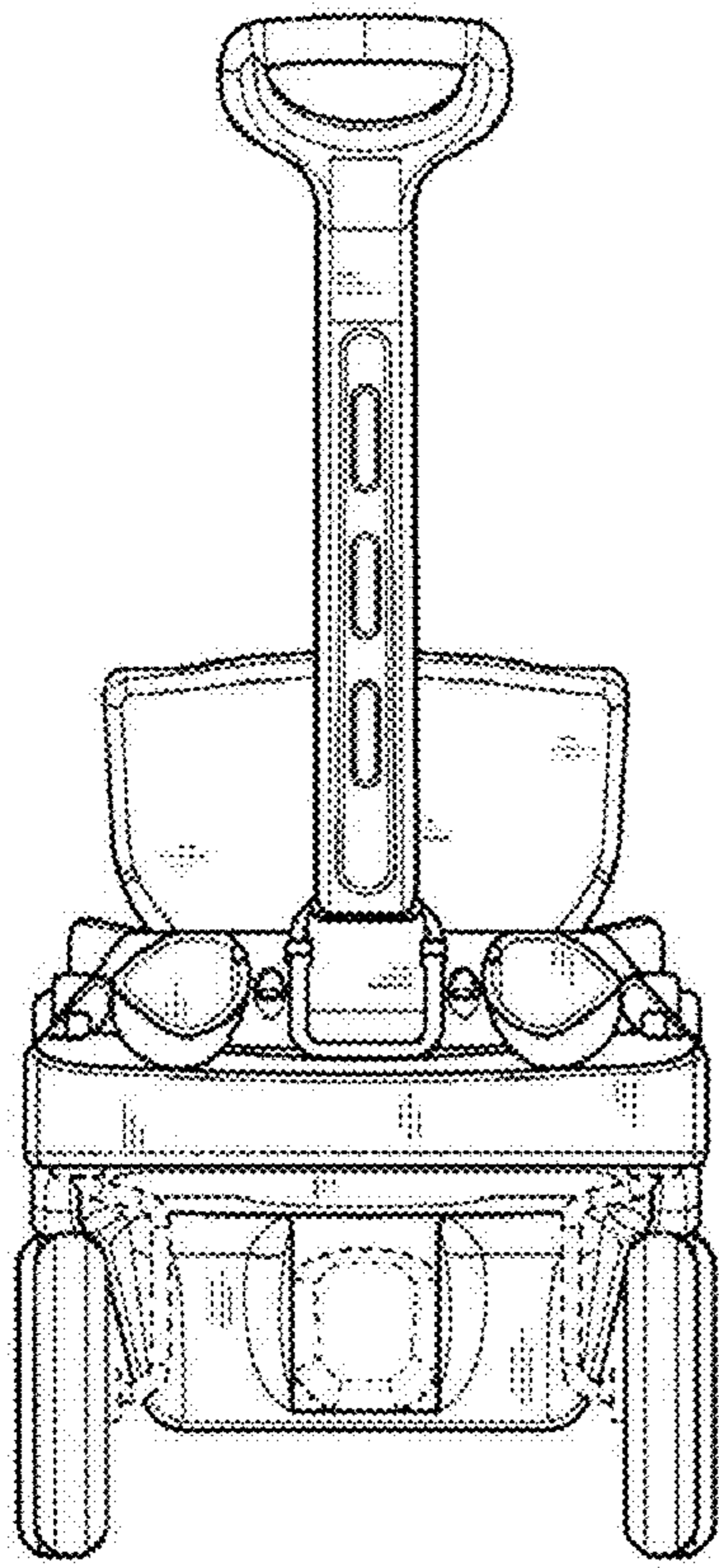


FIG. 6

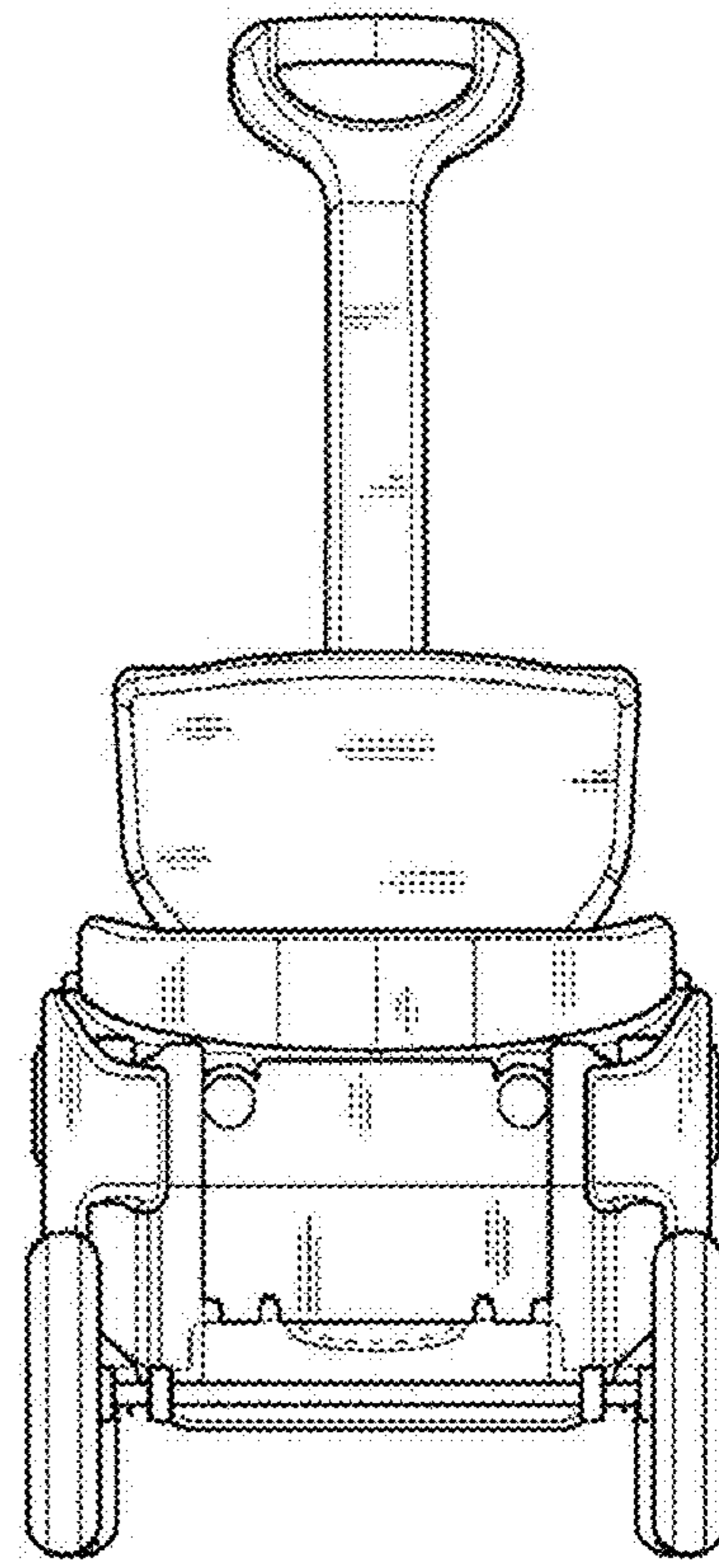


FIG. 7