



US00D651657S

(12) **United States Design Patent**
Laporte et al.

(10) **Patent No.:** **US D651,657 S**
(45) **Date of Patent:** **** Jan. 3, 2012**

(54) **TARGET**
(75) Inventors: **Jean-Michel Laporte**, Biot (FR);
Jean-Marc Fouques, Claviers (FR)
(73) Assignee: **Laporte Holding**, Biot (FR)
(**) Term: **14 Years**
(21) Appl. No.: **29/393,843**
(22) Filed: **Jun. 9, 2011**

Related U.S. Application Data

(62) Division of application No. 29/378,472, filed on Nov. 4, 2010.

Foreign Application Priority Data

Jun. 5, 2010 (EM) 001705260
(51) **LOC (9) Cl.** **21-01**
(52) **U.S. Cl.** **D21/303; D21/710**
(58) **Field of Classification Search** D21/330-303,
D21/385, 386, 390; 273/348, 398-402, 407,
273/127 R, 126 R, 303; 473/569, 587, 588,
473/593, 594; D32/40; D28/63; D24/101,
D24/102; D9/428

See application file for complete search history.

References Cited

U.S. PATENT DOCUMENTS
535,535 A 3/1895 Gardner
3,312,472 A * 4/1967 Kerr 473/589

D221,452 S 8/1971 Swanberg
D323,369 S * 1/1992 De Masi et al. D21/710
D367,902 S * 3/1996 Silk D21/710
5,695,420 A * 12/1997 Bellehumeur 473/588
D401,649 S * 11/1998 Bellehumeur D21/710
D404,719 S 1/1999 Suzuki
6,126,561 A 10/2000 Mark
6,200,238 B1 * 3/2001 Tackett 473/588
6,217,468 B1 4/2001 Goodwin
6,273,835 B1 * 8/2001 Battis et al. 473/563
D494,235 S * 8/2004 Edwards D21/710
6,866,268 B2 3/2005 Christianson
6,893,017 B1 * 5/2005 Thomas et al. 273/126 R
D528,167 S 9/2006 Tremain
D550,299 S 9/2007 Luciano
D550,301 S 9/2007 Luciano
7,357,740 B2 4/2008 Pencer
7,621,833 B2 * 11/2009 Proulx et al. 473/588
7,900,928 B2 3/2011 Held
8,011,660 B1 * 9/2011 Butler 273/126 R

* cited by examiner

Primary Examiner — Prabhakar Deshmukh
(74) *Attorney, Agent, or Firm* — Young & Thompson

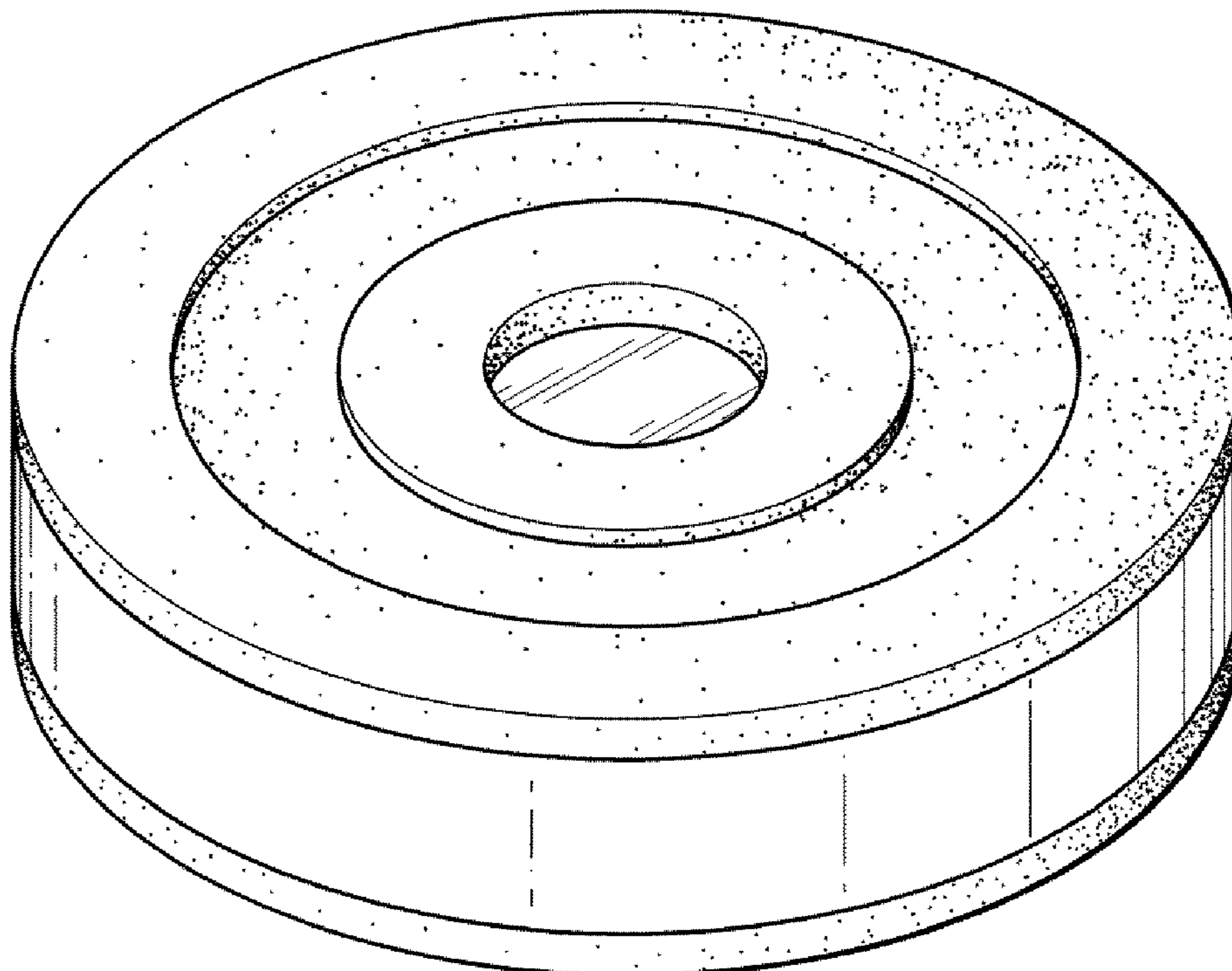
CLAIM

(57) The ornamental design for a target, as shown.

DESCRIPTION

FIG. 1 is a top perspective view of a target showing our new design;
FIG. 2 is a bottom perspective view thereof;
FIG. 3 is a side elevational view thereof; and,
FIG. 4 is a front elevational view thereof.

1 Claim, 3 Drawing Sheets



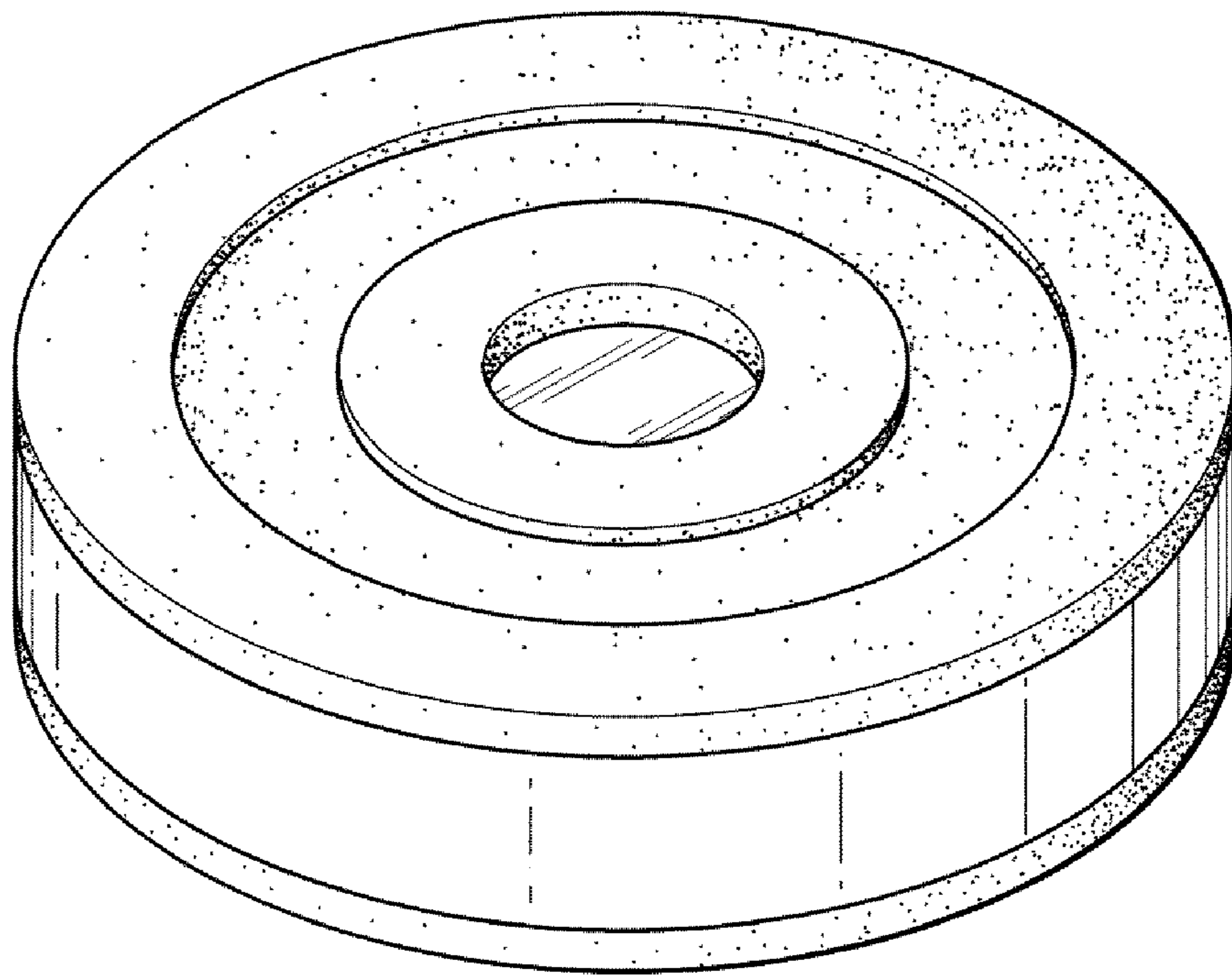


FIG. 1

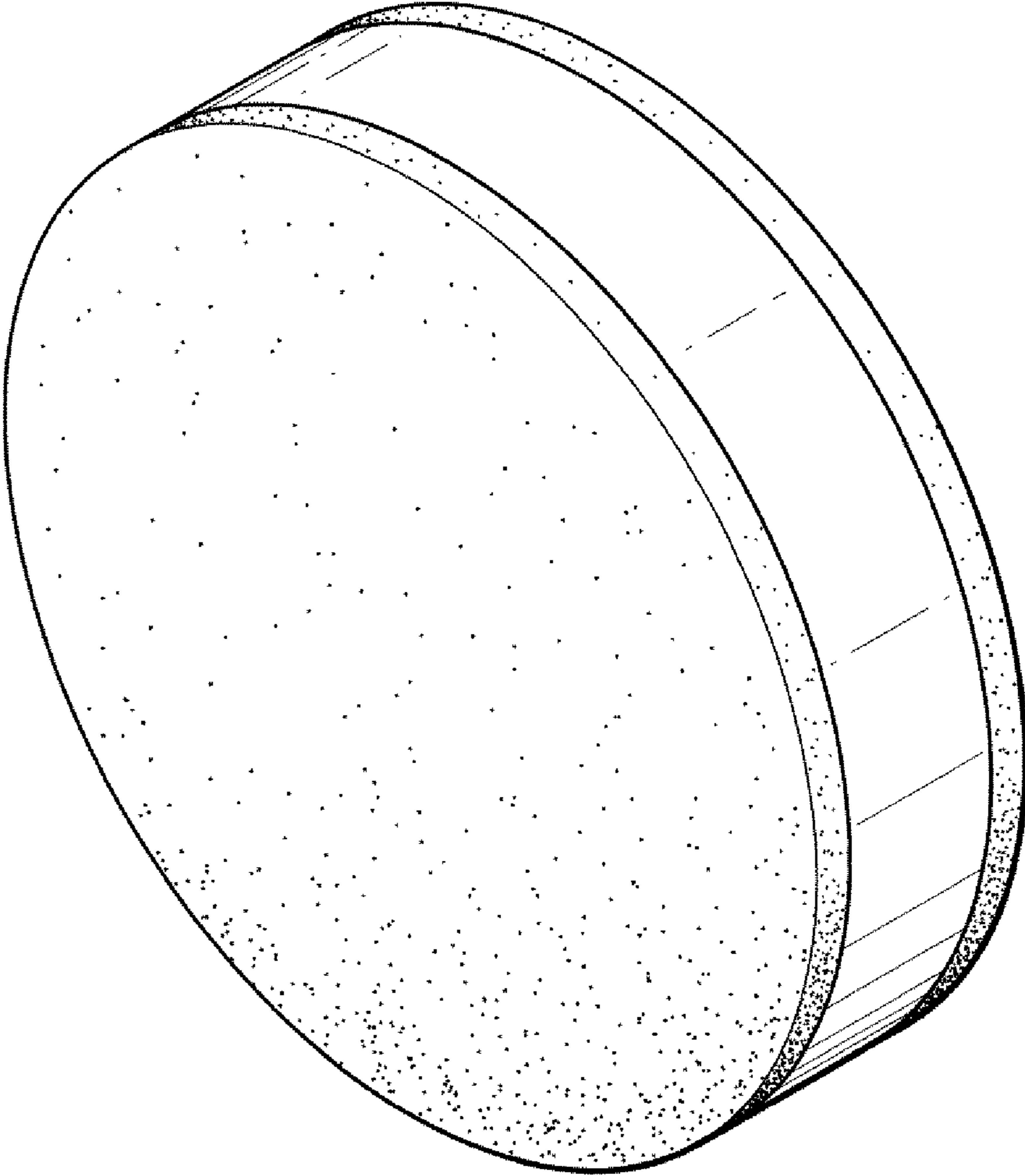


FIG. 2

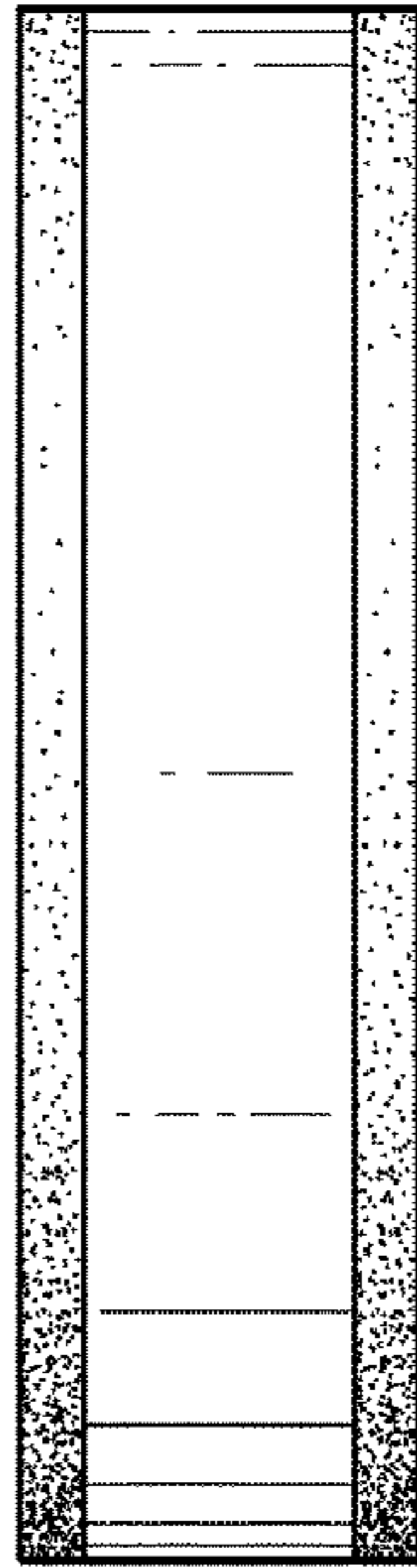


FIG. 3

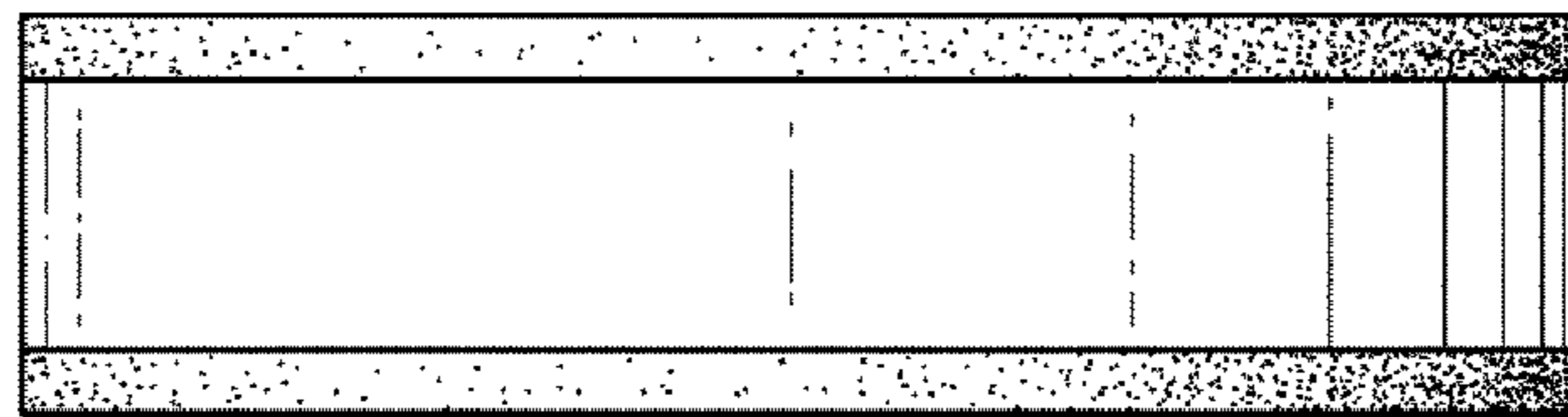


FIG. 4