



US00D651655S

(12) **United States Design Patent**
Walter

(10) **Patent No.:** **US D651,655 S**
(45) **Date of Patent:** **** Jan. 3, 2012**

- (54) **SNAP IN PANEL ASSEMBLY FOR A BASKET**
- (75) Inventor: **Ivor Michel Walter**, Boulder, CO (US)
- (73) Assignee: **AMSA, Inc.**, Boulder, CO (US)
- (**) Term: **14 Years**
- (21) Appl. No.: **29/334,767**
- (22) Filed: **Apr. 1, 2009**
- (51) **LOC (9) Cl.** **20-02**
- (52) **U.S. Cl.** **D20/42**
- (58) **Field of Classification Search** D20/10,
D20/13, 15, 17, 22, 27-29, 39-42, 99; D12/193;
D25/138; D23/393; D6/300; 362/812; 40/299.01,
40/308, 330, 549, 604, 606.18, 606.19, 607.13,
40/611.05, 612, 624, 642.01, 651
See application file for complete search history.

(56) **References Cited**

U.S. PATENT DOCUMENTS

D231,356	S	*	4/1974	Kurz	D23/393
4,217,711	A	*	8/1980	Spreser et al.	40/308
D296,259	S	*	6/1988	Rehrig	D34/27
4,765,077	A	*	8/1988	Rosenthal et al.	40/308
4,773,175	A	*	9/1988	Larsen	40/308
D300,642	S	*	4/1989	Pawlik et al.	D20/10
D317,219	S	*	5/1991	Rehrig	D34/27
5,363,575	A	*	11/1994	Sawyer et al.	40/308
5,758,439	A	*	6/1998	Sawyer et al.	40/308
D400,679	S	*	11/1998	Kern et al.	D34/27
5,901,482	A	*	5/1999	Sawyer et al.	40/308
D453,042	S	*	1/2002	Mattsson et al.	D23/393
D454,949	S	*	3/2002	Mattsson et al.	D23/393
D456,071	S	*	4/2002	Mattsson et al.	D23/393
D456,072	S	*	4/2002	Mattsson et al.	D23/393
D461,887	S	*	8/2002	Mattsson et al.	D23/393
D475,781	S	*	6/2003	Mattsson et al.	D23/393
D494,266	S	*	8/2004	Snyder	D23/393
D495,011	S	*	8/2004	Trubiano	D20/42
D495,048	S	*	8/2004	Snyder	D23/393
6,981,708	B1	*	1/2006	Tucker et al.	280/33.992
D558,270	S	*	12/2007	Beno	D19/52
D625,524	S	*	10/2010	Schwartz et al.	D6/300
2004/0046341	A1	*	3/2004	Wilkinson	280/33.991

OTHER PUBLICATIONS

U.S. Appl. No. 29/330,031, filed Dec. 26, 2008; Inventor: Ivor Michel Walter. PC-41U, Scan of brochure showing prior art cart with panel manufactured by Unarco Industries, Inc.

Tango Scan of website [http://www.wanzl.com/default.asp?navid=551339&lid=En&oid=000] showing prior art cart with panels manufactured by Wanzl.

* cited by examiner

Primary Examiner — Mark Goodwin

(74) *Attorney, Agent, or Firm* — Margaret Polson; Oppedahl Patent Law Firm LLC

(57) **CLAIM**

The ornamental design for a snap in panel assembly for a basket, as shown and described.

DESCRIPTION

FIG. 1 is a top plan view of the panel portion of a snap in panel assembly for a basket showing my new design.

FIG. 2 is a bottom plan view thereof.

FIG. 3 is a front side elevation view thereof, the back side elevation view being a mirror image thereof.

FIG. 4 is a left side elevation view thereof, the right side elevation view being a mirror image thereof.

FIG. 5 is a top perspective view thereof.

FIG. 6 is a top plan view of the snap in base for a snap in panel assembly for a basket showing my new design, the basket supporting the base shown in dashed and dotted lines is for illustrative purposes only and is not part of the claimed design.

FIG. 7 is a front side elevation view thereof, the back side elevation view being a mirror image thereof.

FIG. 8 is a right side elevation view thereof, the left side elevation view being a mirror image thereof.

FIG. 9 is a cross sectional view thereof taken along line 9-9 of FIG. 6.

FIG. 10 is a top perspective view of FIG. 6 thereof.

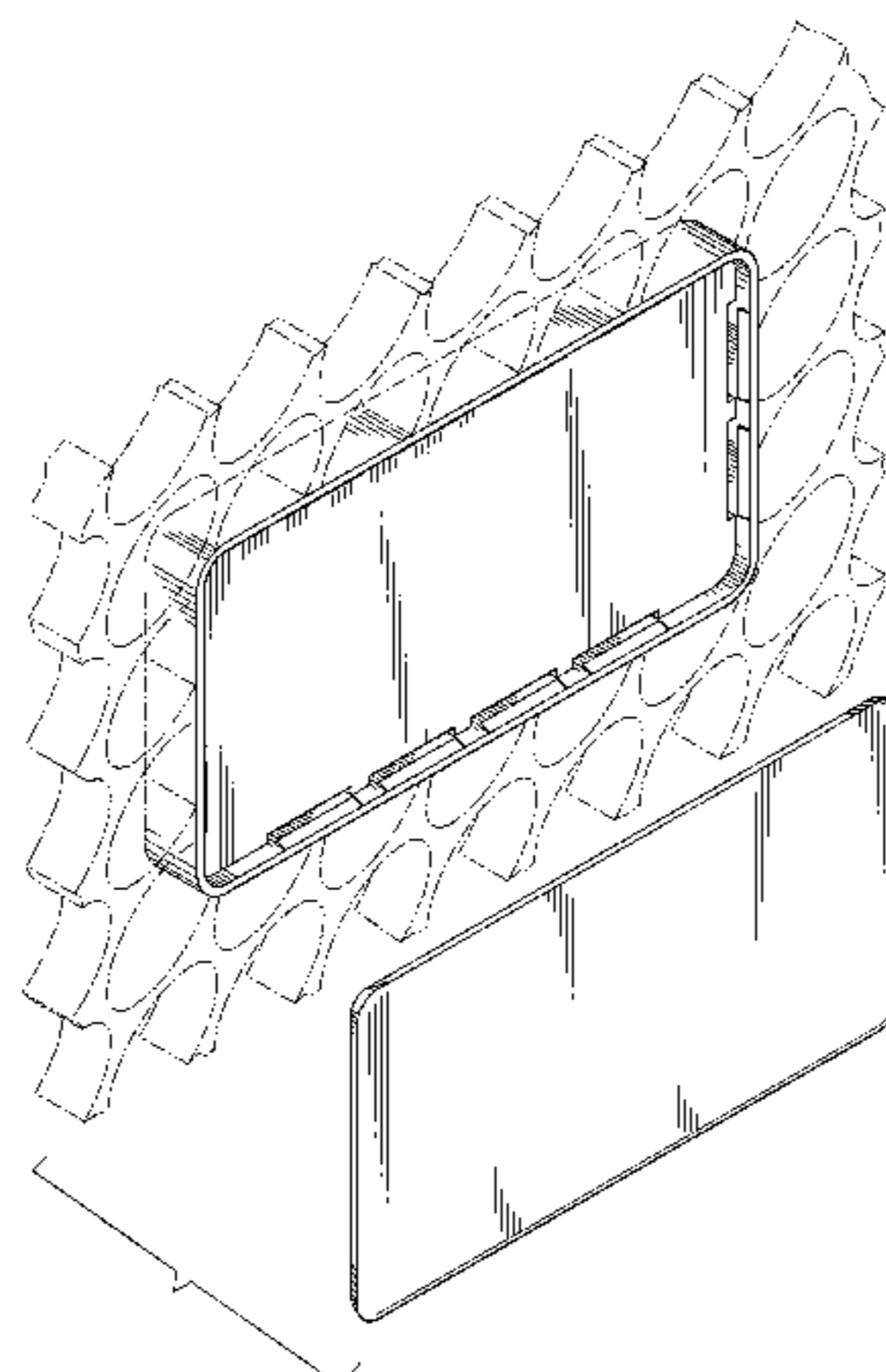
FIG. 11 is an exploded view of the snap in panel assembly for a basket thereof.

FIG. 12 is a top plan view thereof shown in assembled condition.

FIG. 13 is a cross sectional view thereof taken along line 13-13 of FIG. 12; and,

FIG. 14 is a top perspective view of FIG. 12 thereof.

1 Claim, 8 Drawing Sheets



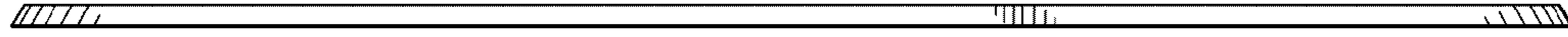


FIG. 3

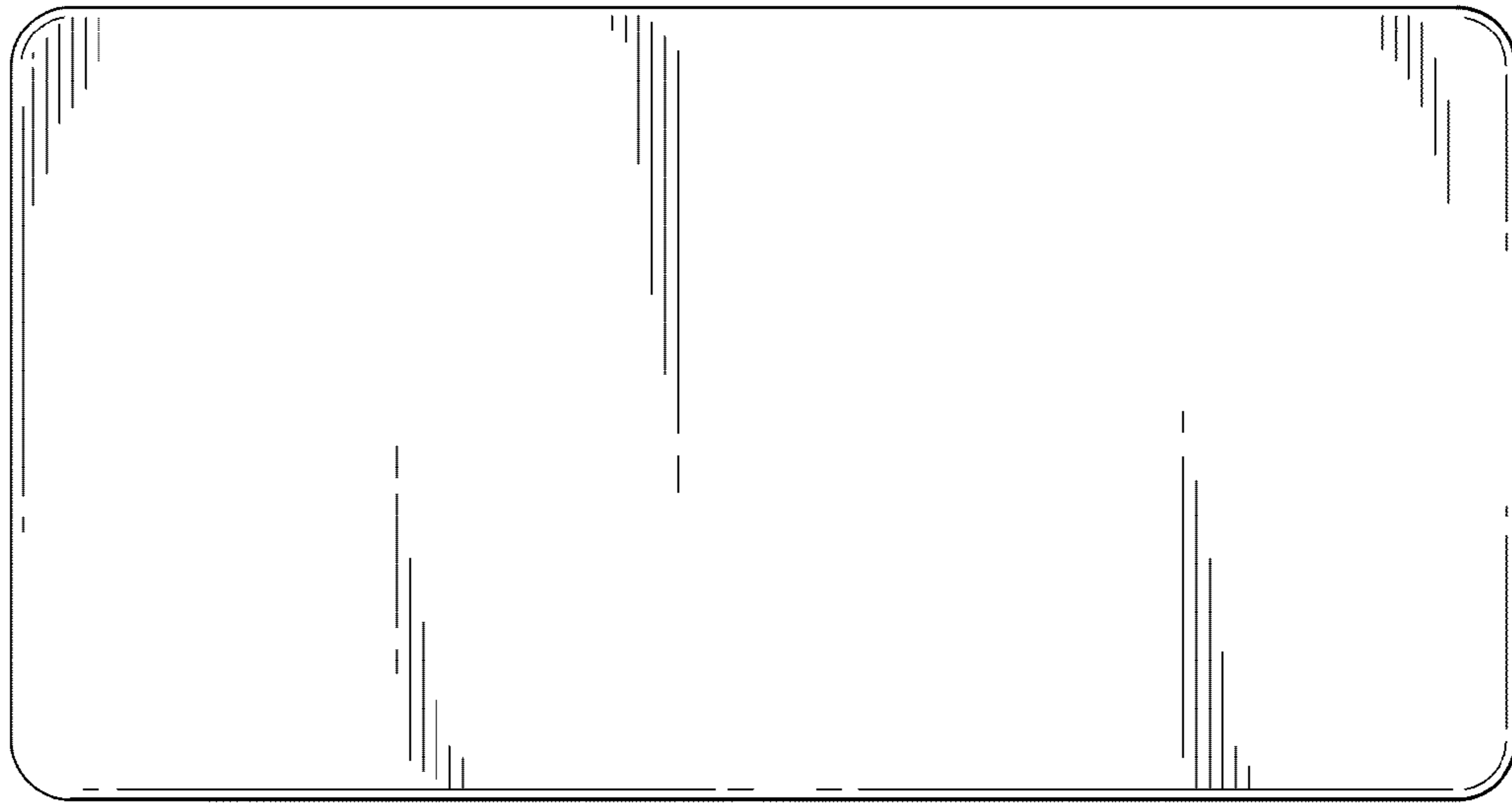


FIG. 1

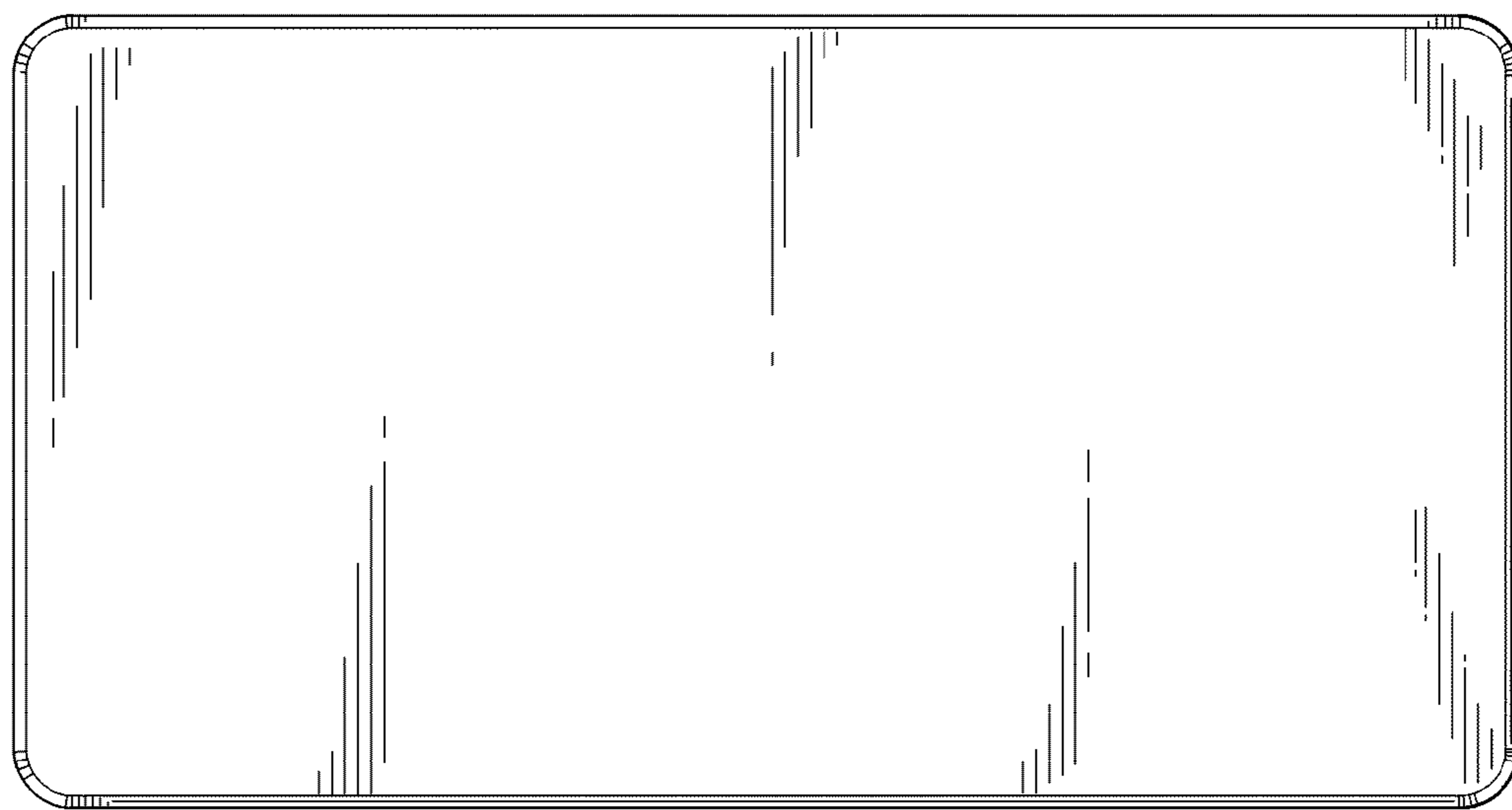


FIG. 2



FIG. 4

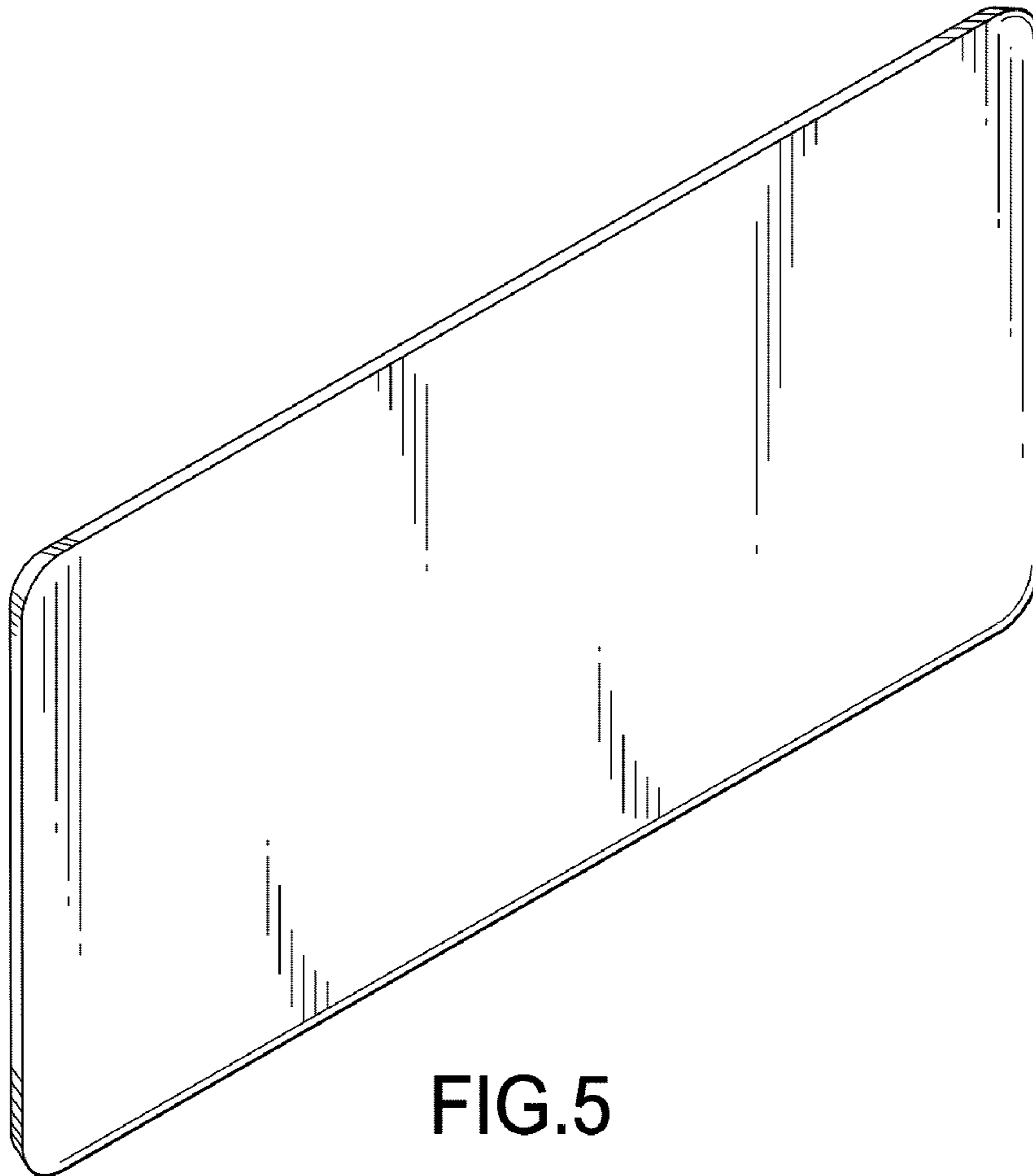


FIG. 5

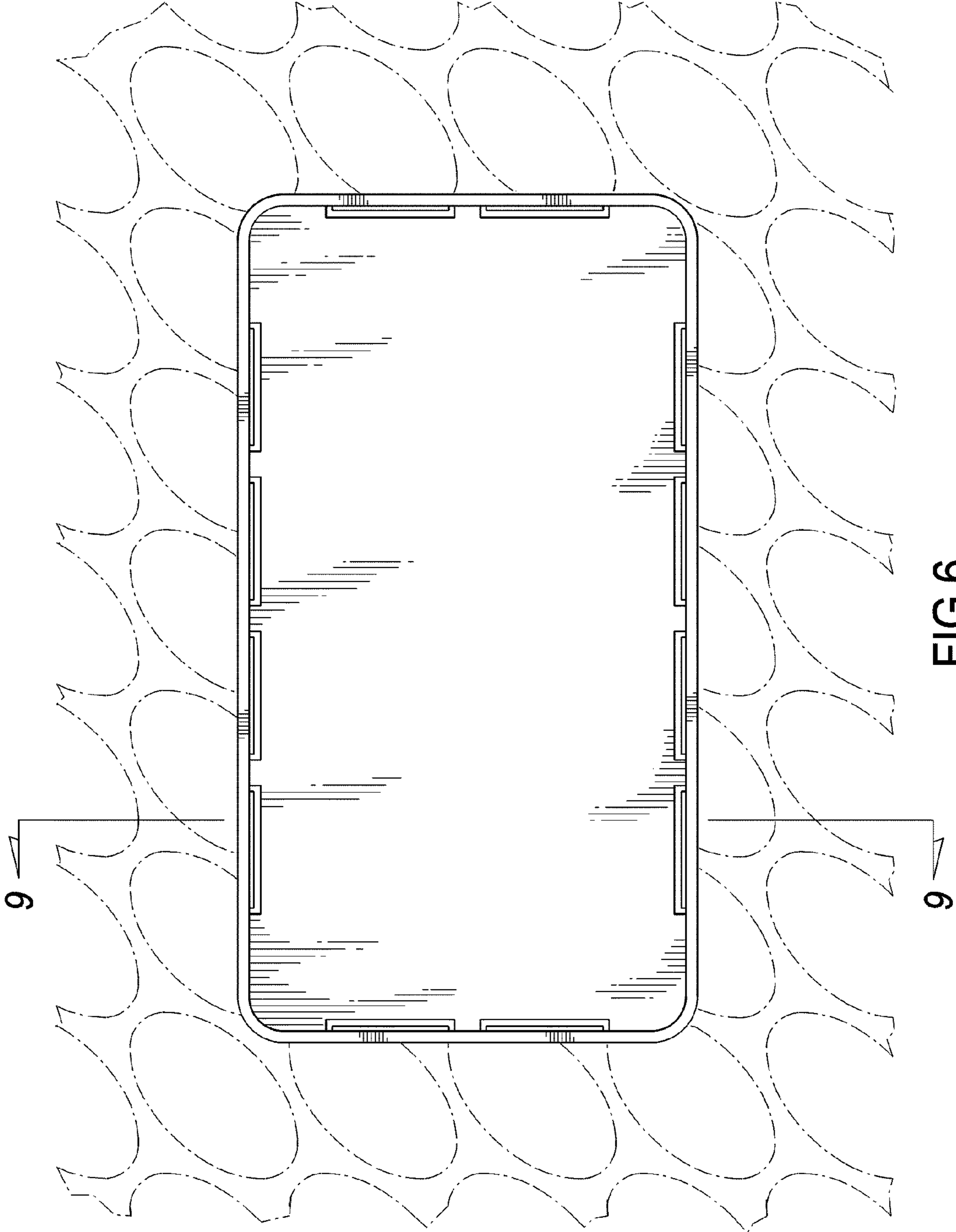


FIG.6

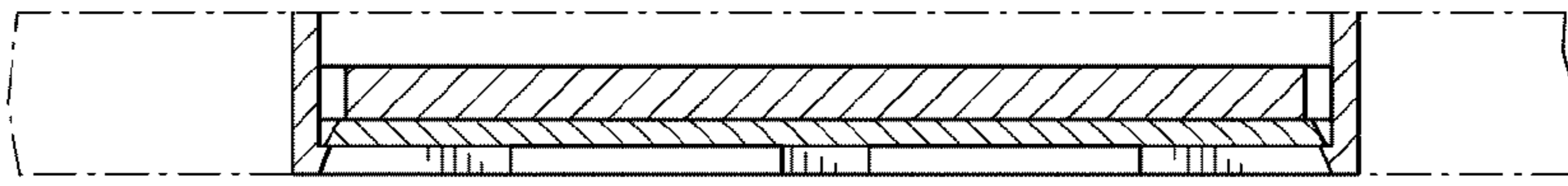


FIG.13

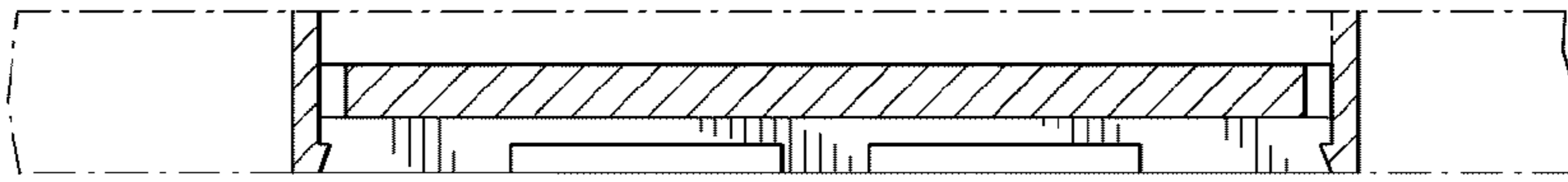


FIG.9



FIG.8

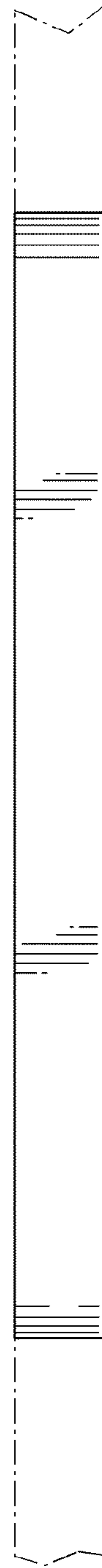


FIG.7

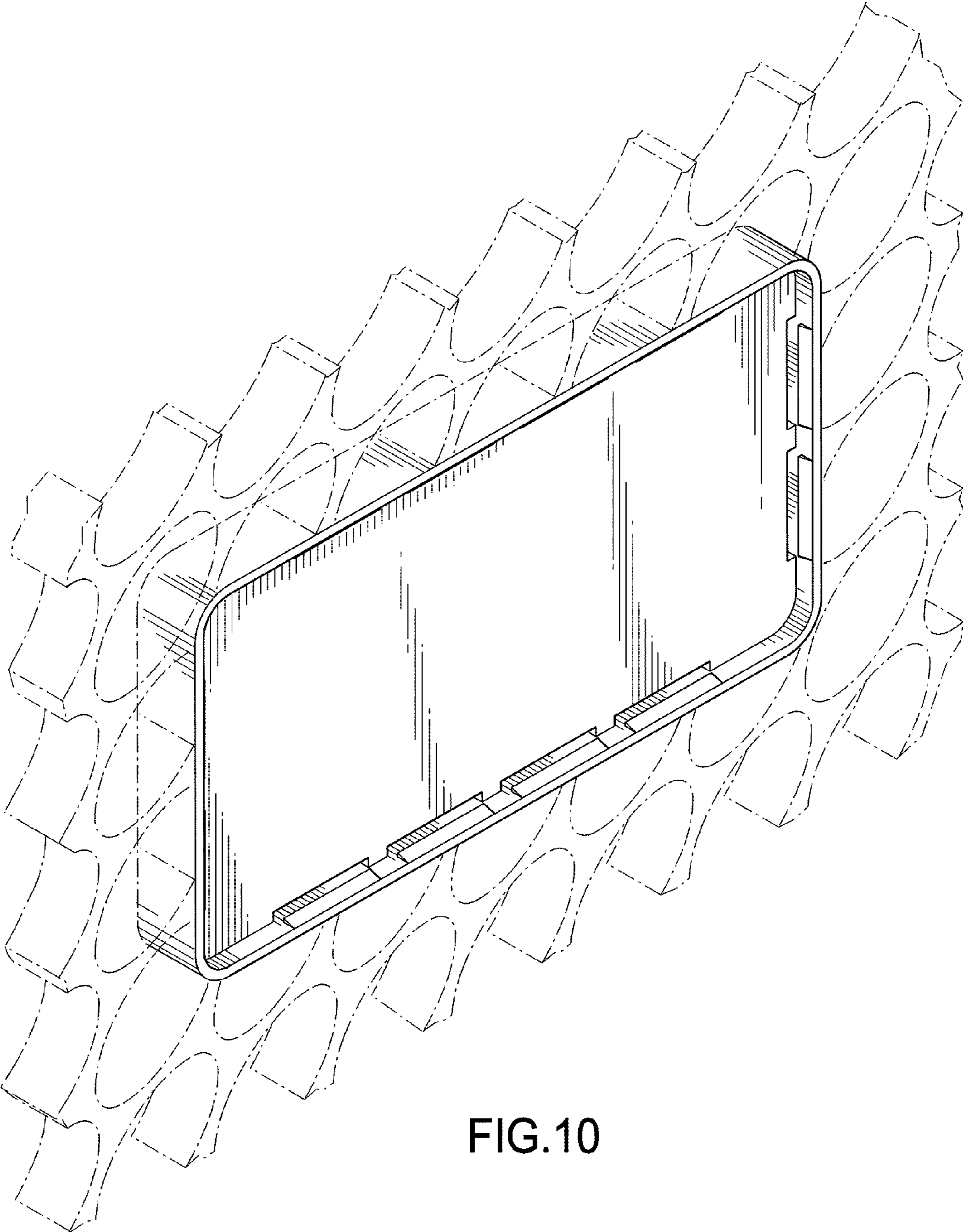


FIG.10

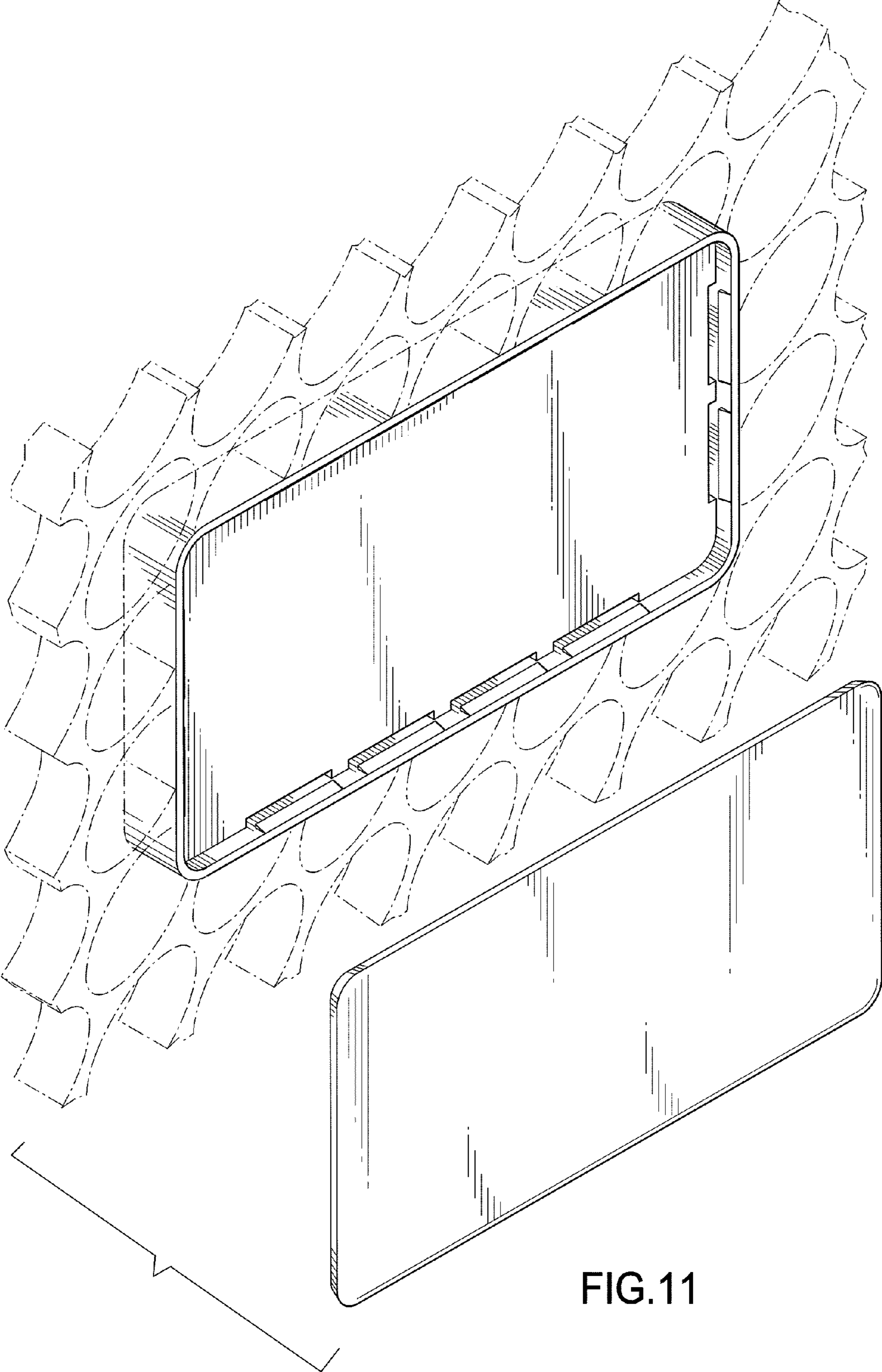


FIG.11

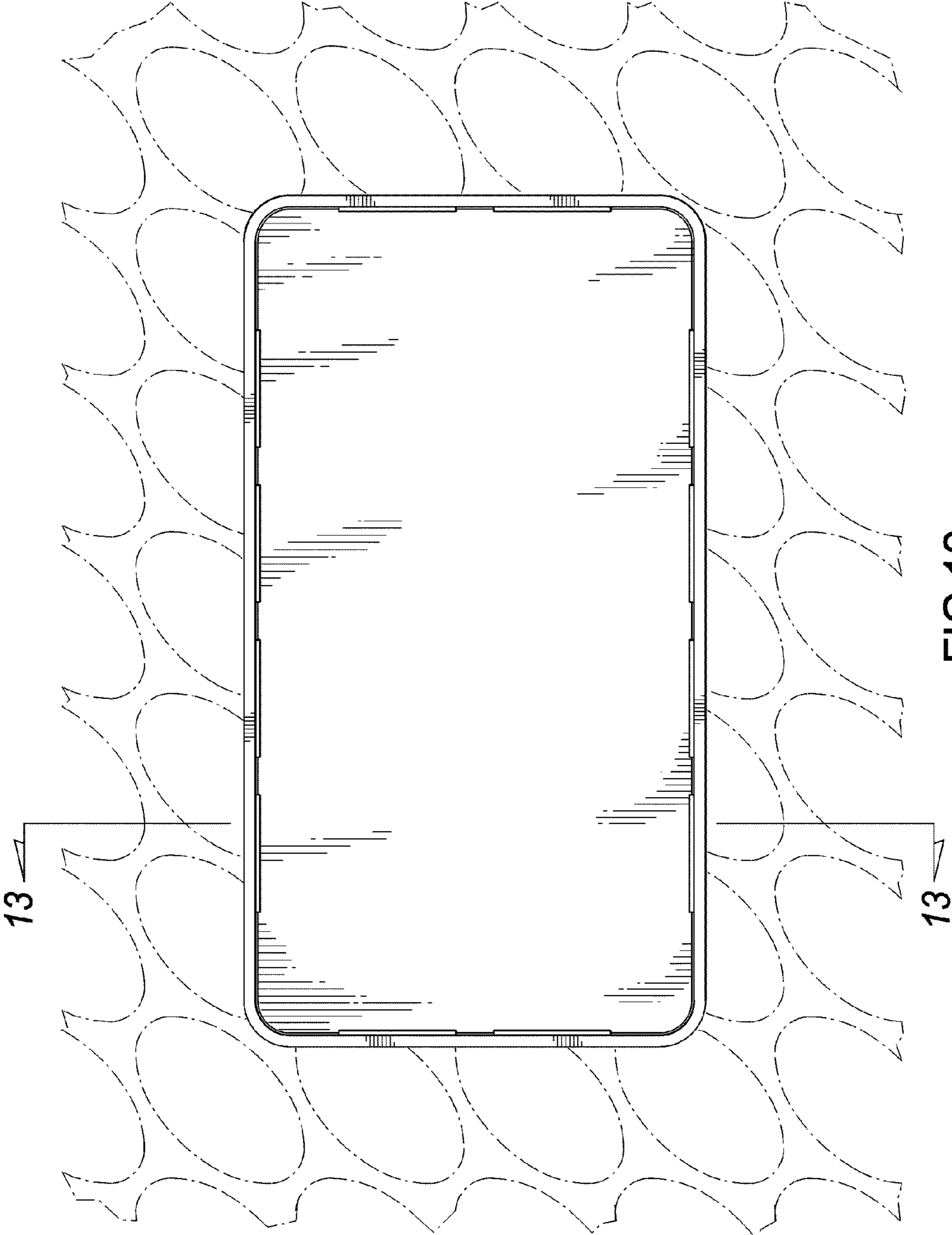


FIG.12

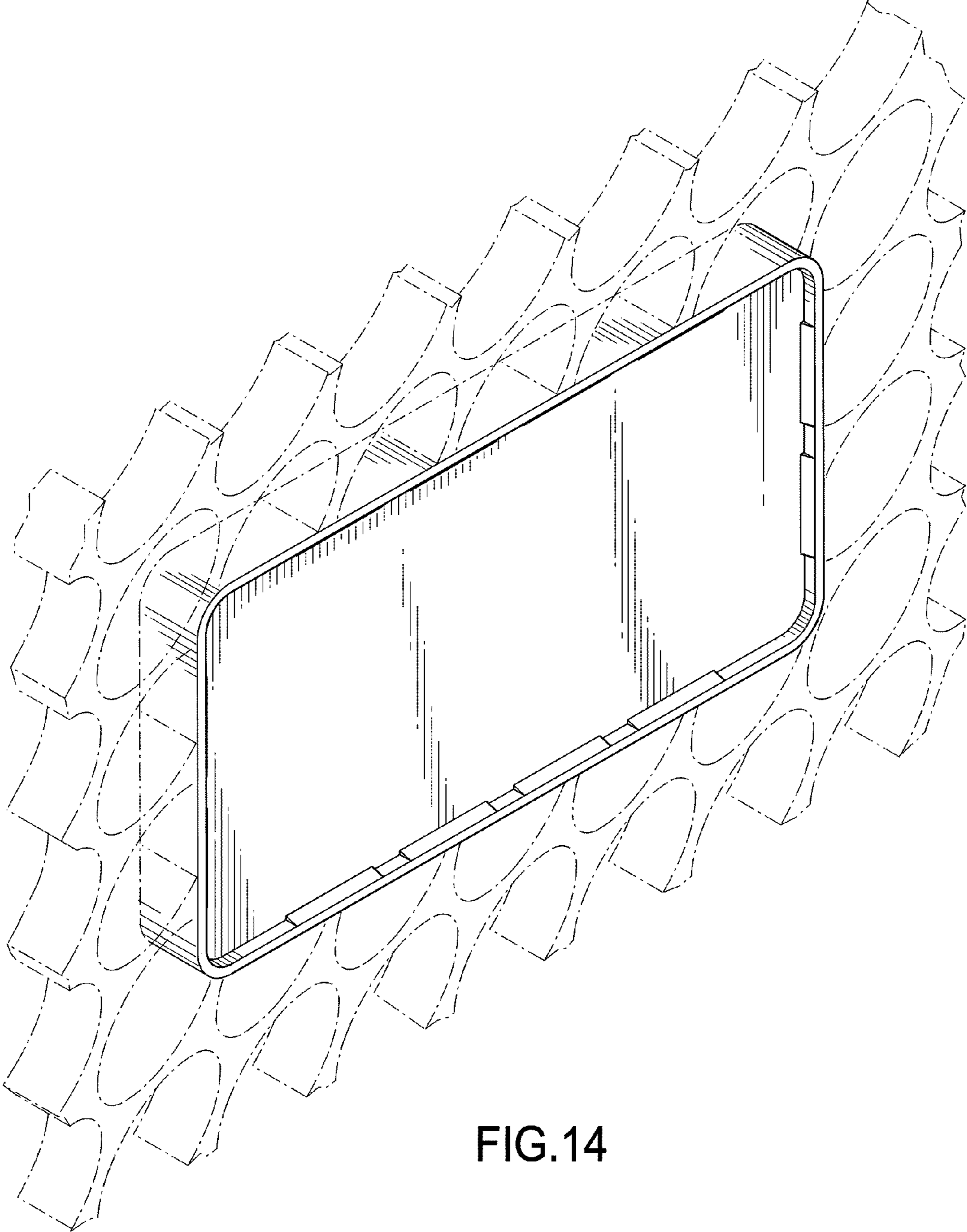


FIG.14