



US00D651651S

(12) **United States Design Patent**  
**Beukema et al.**

(10) **Patent No.:** **US D651,651 S**  
(45) **Date of Patent:** **\*\* Jan. 3, 2012**

(54) **WORKSPACE POWER ACCESSORY**

(75) Inventors: **James Beukema**, Ada, MI (US); **Fredric Biddle**, Kalamazoo, MI (US); **Robert Scheper**, Grand Rapids, MI (US)

(73) Assignee: **Steelcase Inc.**, Grand Rapids, MI (US)

(\*\*) Term: **14 Years**

(21) Appl. No.: **29/363,369**

(22) Filed: **Jun. 8, 2010**

(51) **LOC (9) Cl.** ..... **19-06**

(52) **U.S. Cl.** ..... **D19/75; D13/139.1**

(58) **Field of Classification Search** ..... D3/304,  
D3/305, 312, 315; D6/449, 475, 512, 553,  
D6/406.3; D19/75, 77, 78, 86, 87, 90, 91;  
206/215, 425, 449; 211/10, 11, 45, 50, 55;  
D13/139.1, 139.2, 139.4, 139.5

See application file for complete search history.

(56) **References Cited**

U.S. PATENT DOCUMENTS

D169,577	S	*	5/1953	Burtchaell	.....	D3/313
3,580,395	A	*	5/1971	Weaver et al.	.....	211/87.01
D274,729	S	*	7/1984	Hovey et al.	.....	D14/451
D293,493	S	*	12/1987	Garr	.....	D6/449
D302,881	S	*	8/1989	Lussier et al.	.....	D32/53.1
D303,190	S	*	9/1989	Suttles	.....	D6/491
D325,562	S	*	4/1992	Smith, Sr.	.....	D13/139.1
D349,904	S	*	8/1994	Arenberg	.....	D14/252
D394,365	S	*	5/1998	St.-Pierre et al.	.....	D6/571
D394,377	S	*	5/1998	Najewski et al.	.....	D8/354
D433,809	S	*	11/2000	Dibben	.....	D3/304
D470,533	S	*	2/2003	Stravitz	.....	D19/87
D477,280	S	*	7/2003	Gershfeld	.....	D13/139.4
D478,632	S	*	8/2003	Chen	.....	D19/87
D492,113	S	*	6/2004	Bayer et al.	.....	D3/310
D521,279	S	*	5/2006	Bouroullec et al.	.....	D6/491
7,114,971	B1	*	10/2006	Johnson et al.	.....	439/211
D573,364	S	*	7/2008	Johnson	.....	D6/406.3
D581,360	S	*	11/2008	Gershfeld	.....	D13/139.4
D581,871	S	*	12/2008	Gershfeld	.....	D13/139.4
D585,647	S	*	2/2009	Whiteside et al.	.....	D3/310
7,934,932	B1	*	5/2011	Lee et al.	.....	439/31

\* cited by examiner

Primary Examiner — Elizabeth Albert

(74) *Attorney, Agent, or Firm* — Quarles & Brady LLP

(57) **CLAIM**

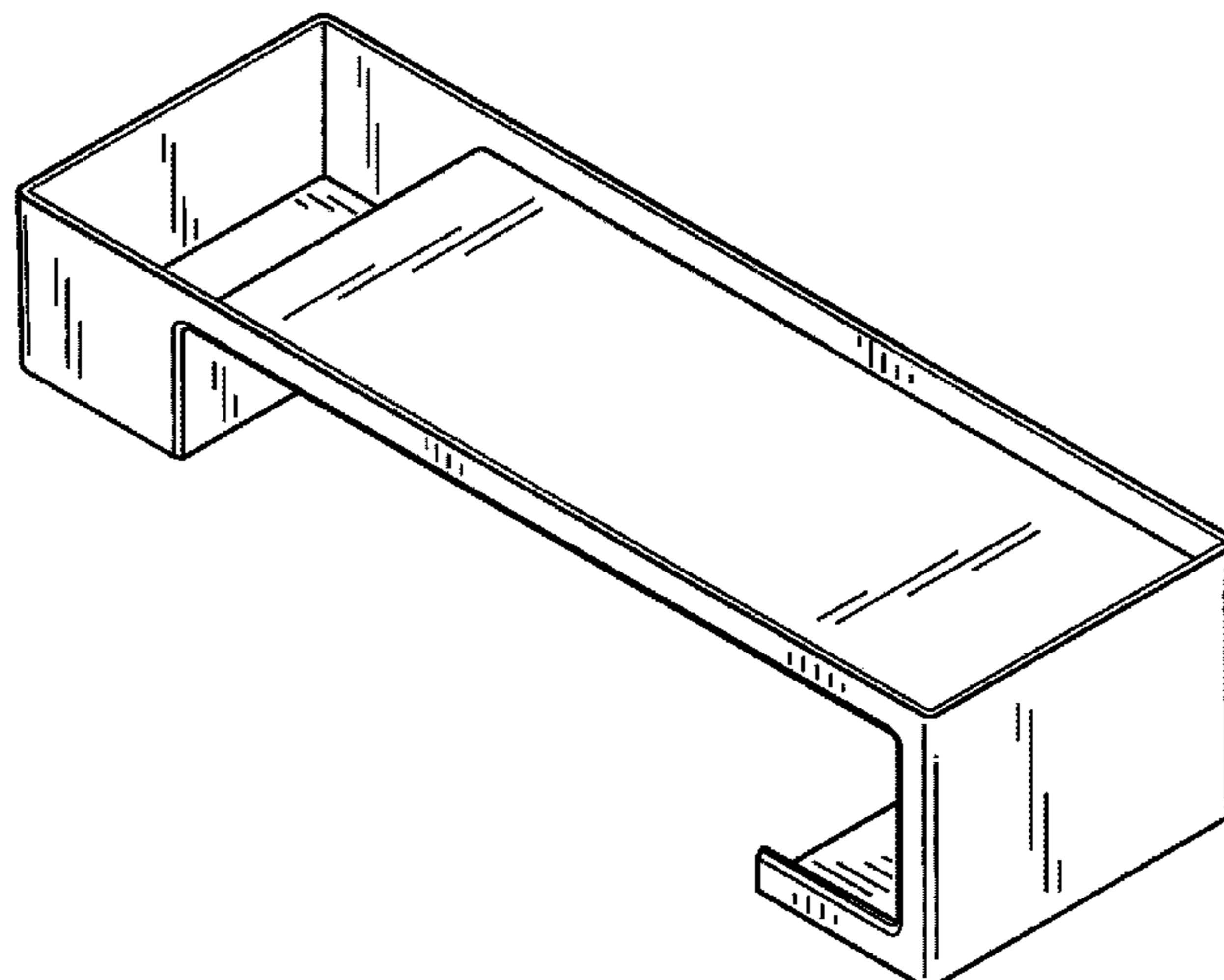
The ornamental design for a workspace power accessory, as shown and described.

**DESCRIPTION**

FIG. 1 is a right, top, front perspective view of a workspace power accessory embodying our new design;  
 FIG. 2 is a front elevational view thereof, the rear elevational view thereof being a mirror image of the front shown;  
 FIG. 3 is a right side elevational view thereof;  
 FIG. 4 is a left side elevational view thereof;  
 FIG. 5 is a top plan view thereof;  
 FIG. 6 is bottom plan view thereof;  
 FIG. 7 is a right, top, front perspective view of a workspace power accessory according to another embodiment of our new design;  
 FIG. 8 is a front elevational view thereof, the rear elevational view thereof being a mirror image of the front shown;  
 FIG. 9 is a right side elevational view thereof;  
 FIG. 10 is a top plan view thereof;  
 FIG. 11 is a left side elevational view thereof;  
 FIG. 12 is bottom plan view thereof;  
 FIG. 13 is a right, top, front perspective view of a workspace power accessory according to another embodiment of our new design;  
 FIG. 14 is a front elevational view thereof, the rear elevational view thereof being a mirror image of the front shown;  
 FIG. 15 is a right side elevational view thereof;  
 FIG. 16 is a left side elevational view thereof;  
 FIG. 17 is a top plan view thereof; and,  
 FIG. 18 is bottom plan view thereof.

The broken lines in FIGS. 2, 8 and 13-18 are included for the purpose of illustrating portions of the workspace power accessory that form no part of the claimed design.

**1 Claim, 9 Drawing Sheets**



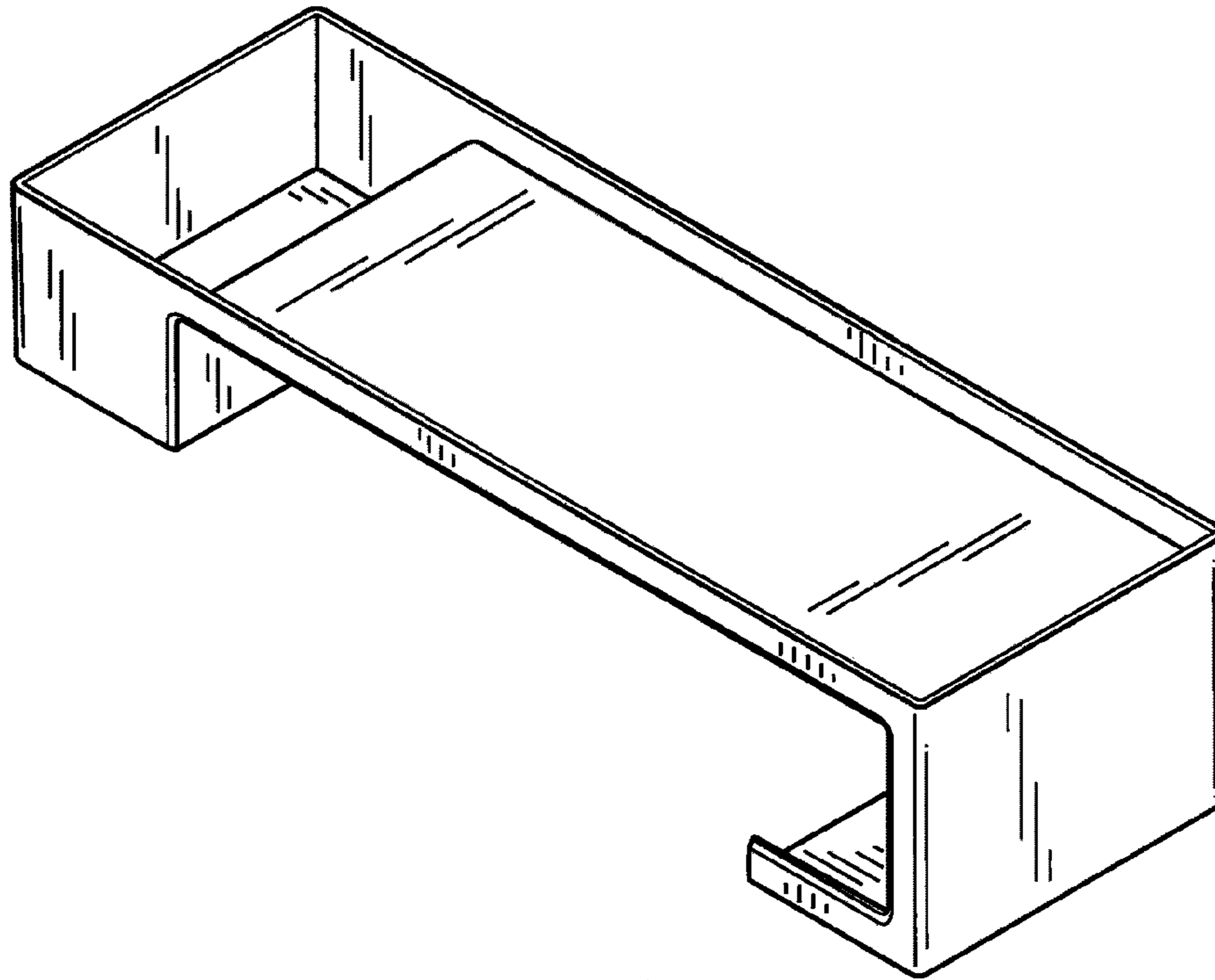


FIG. 1

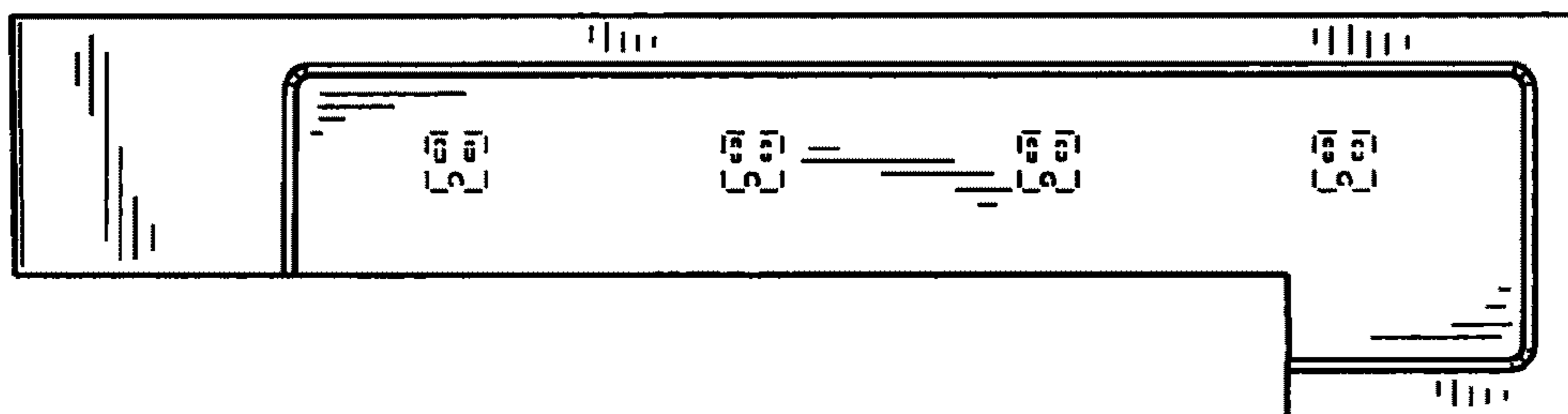


FIG. 2

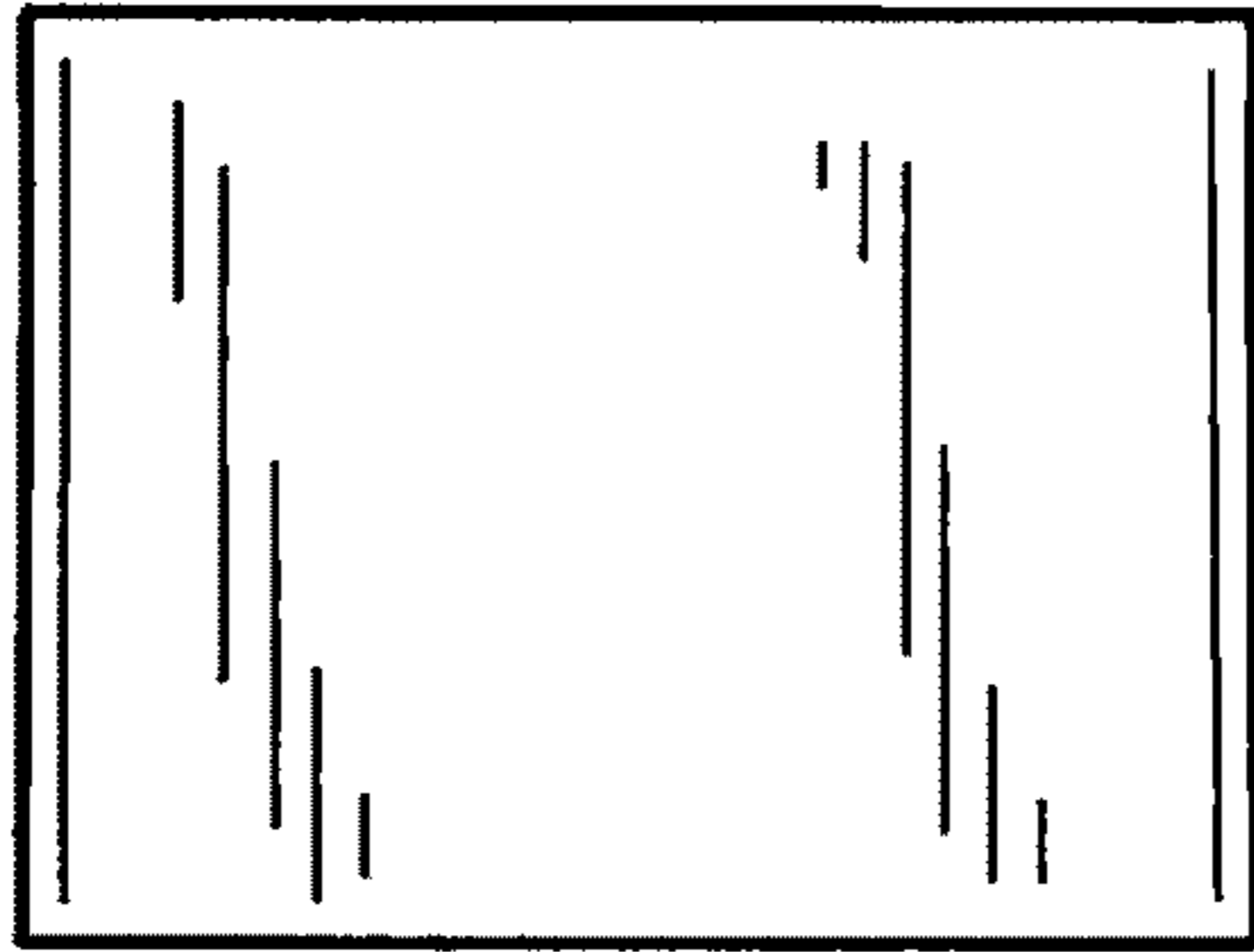


FIG. 3

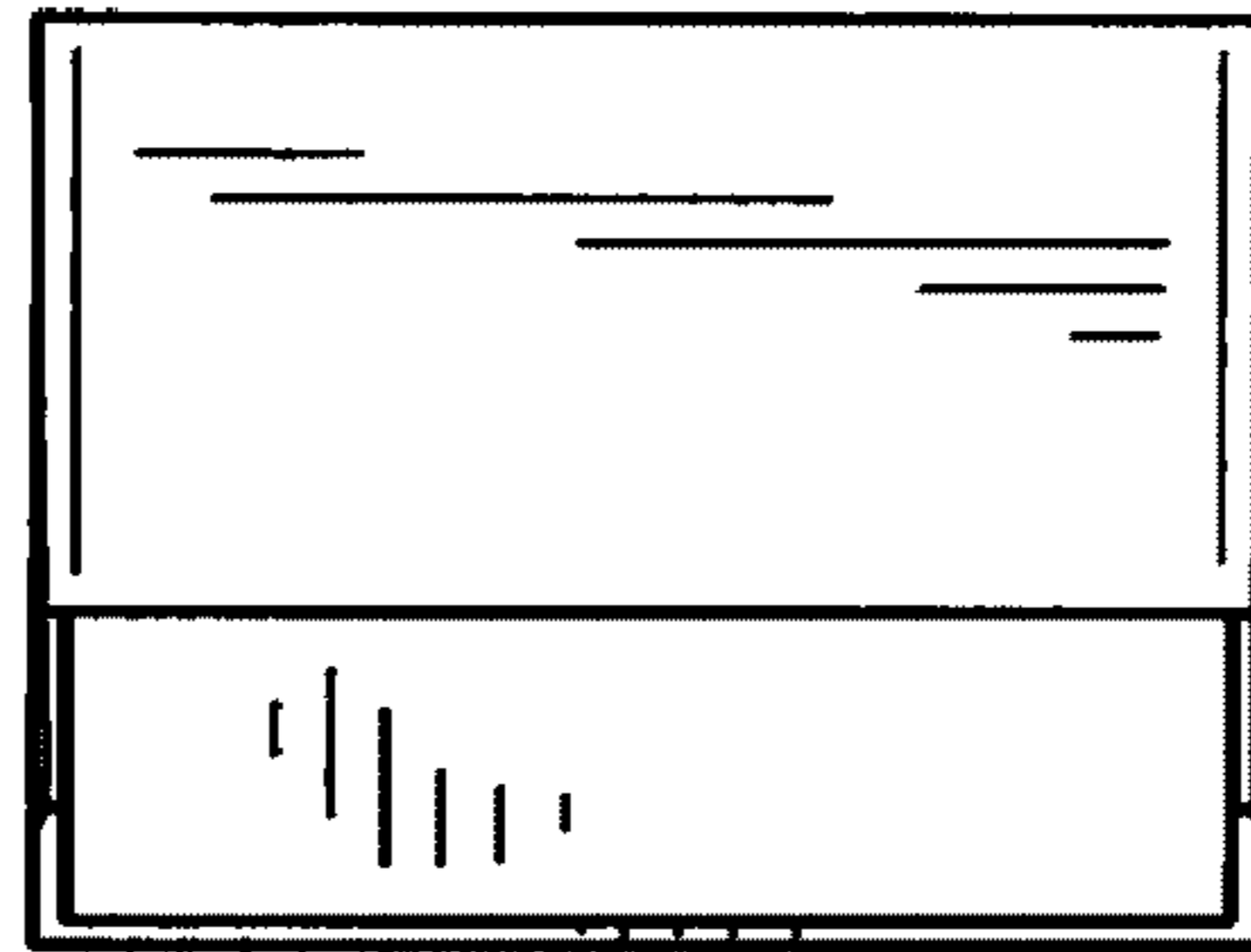


FIG. 4

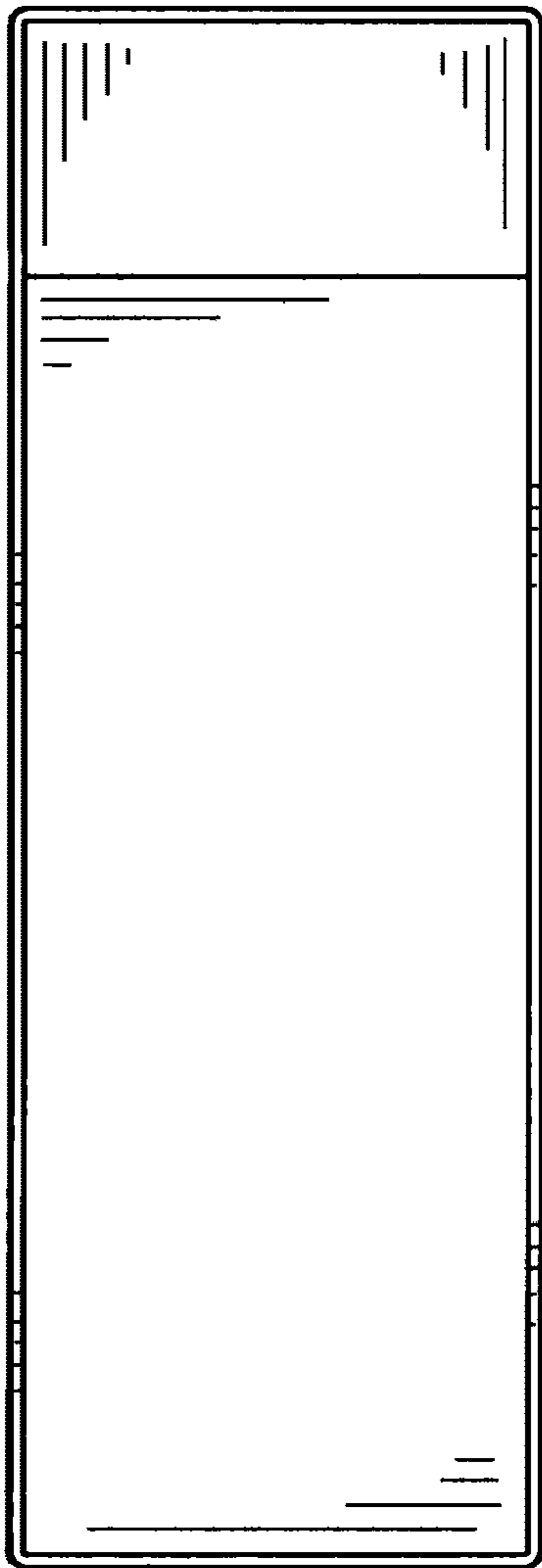


FIG. 5

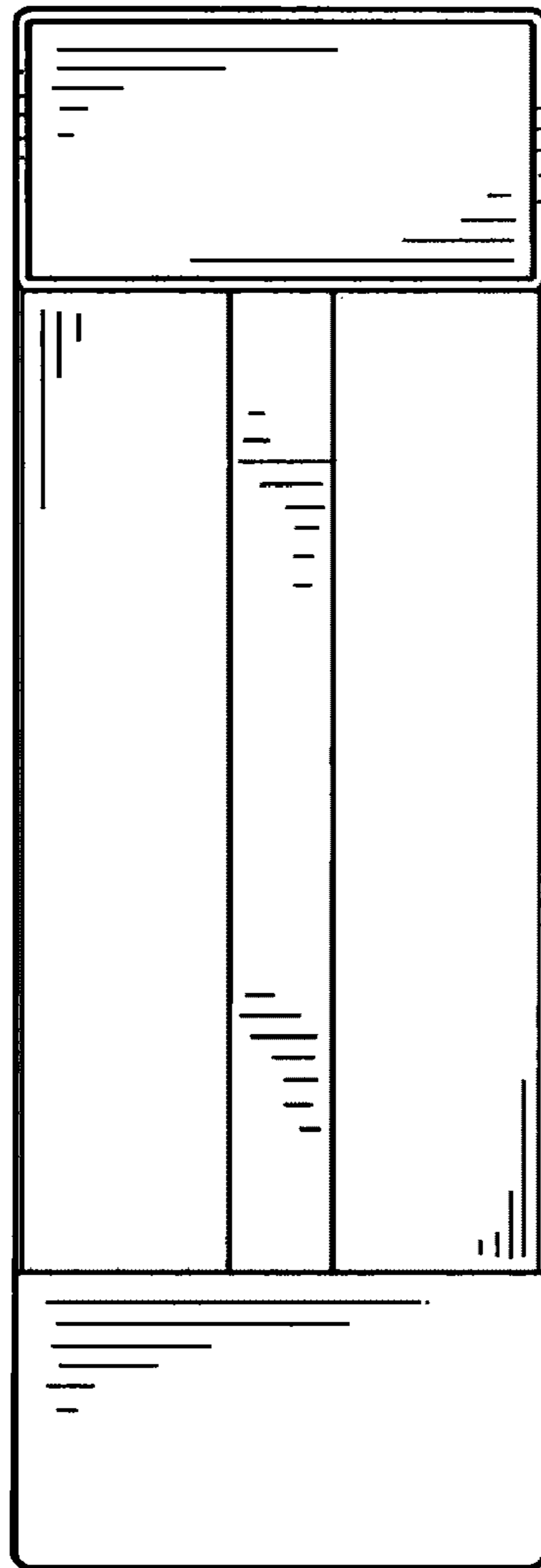


FIG. 6

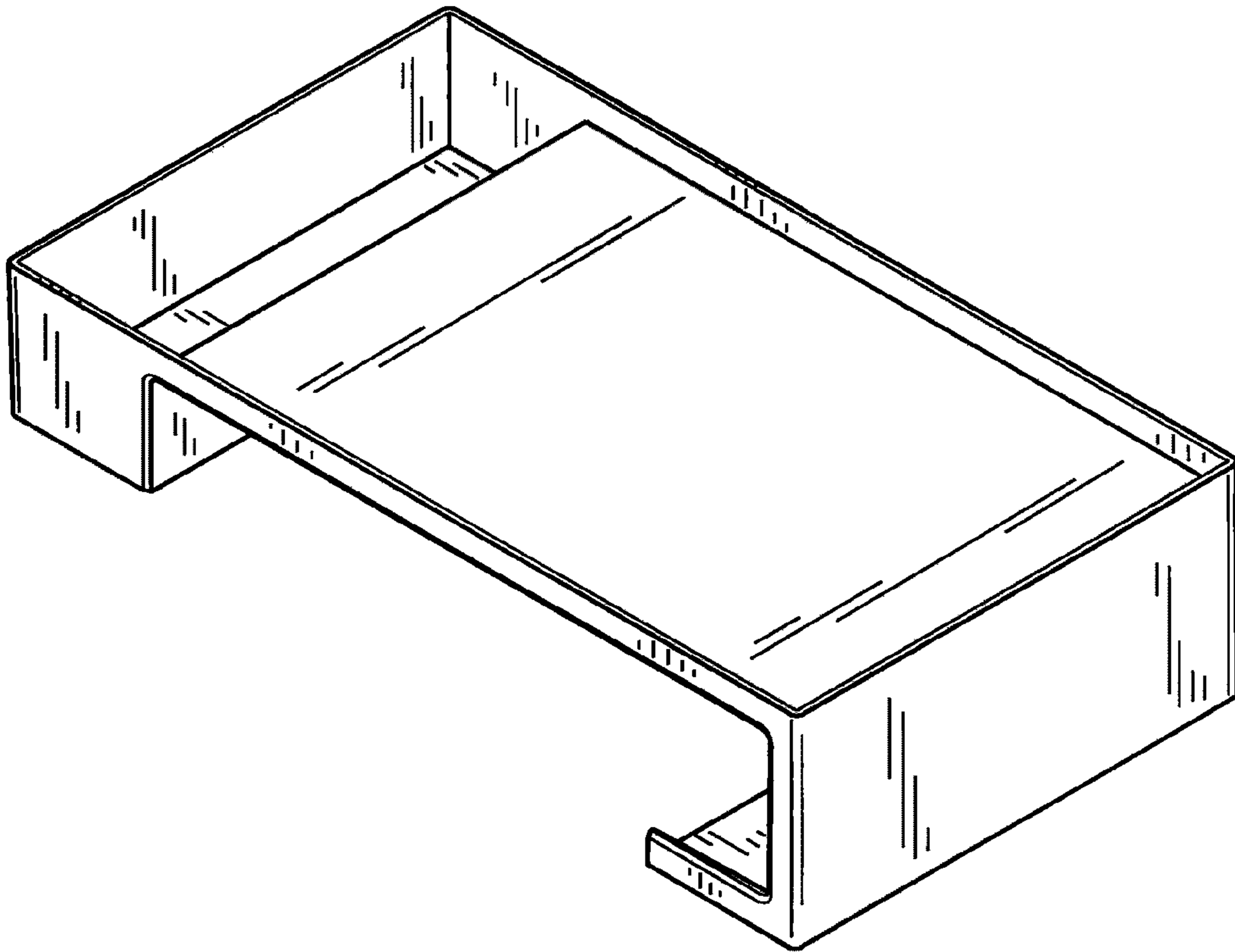


FIG. 7

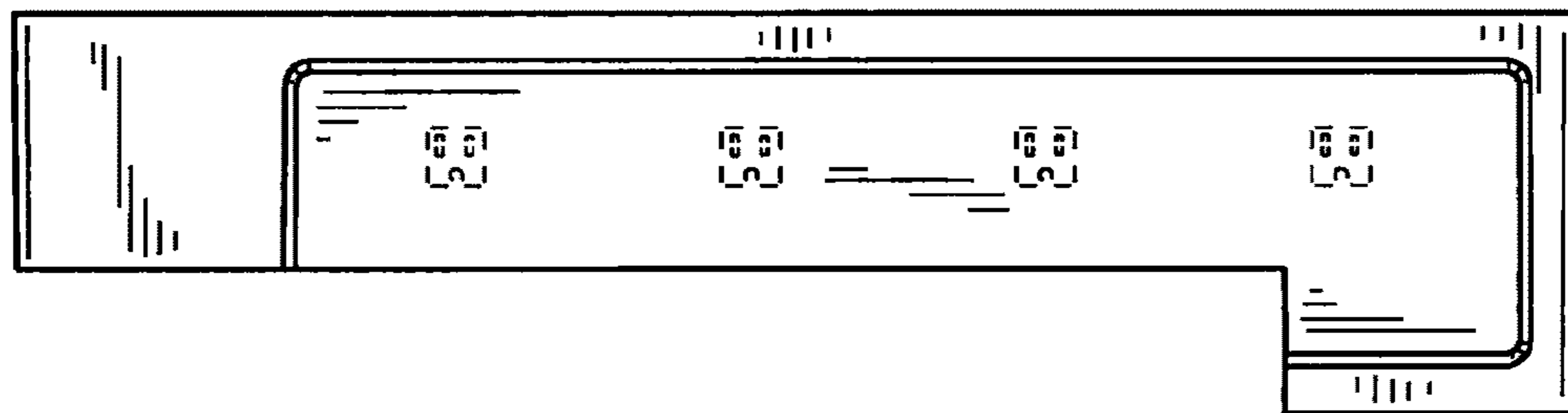


FIG. 8

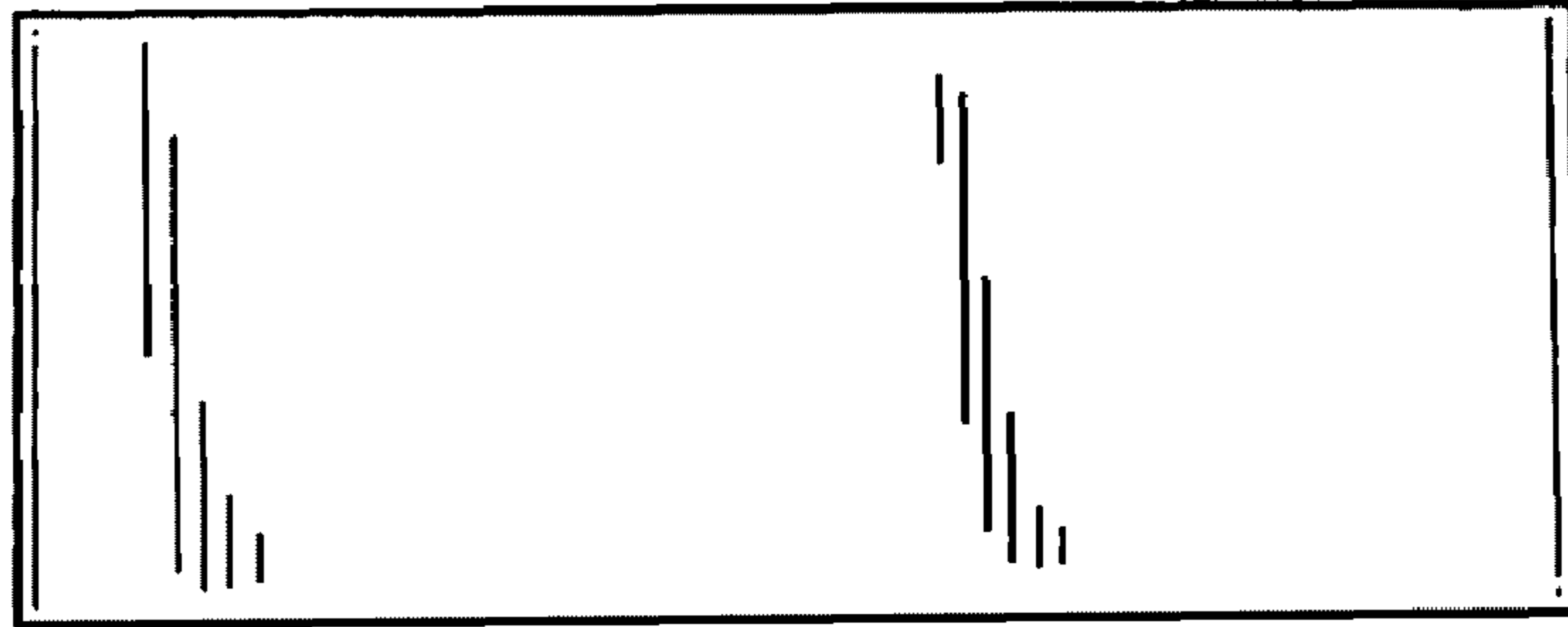


FIG. 9

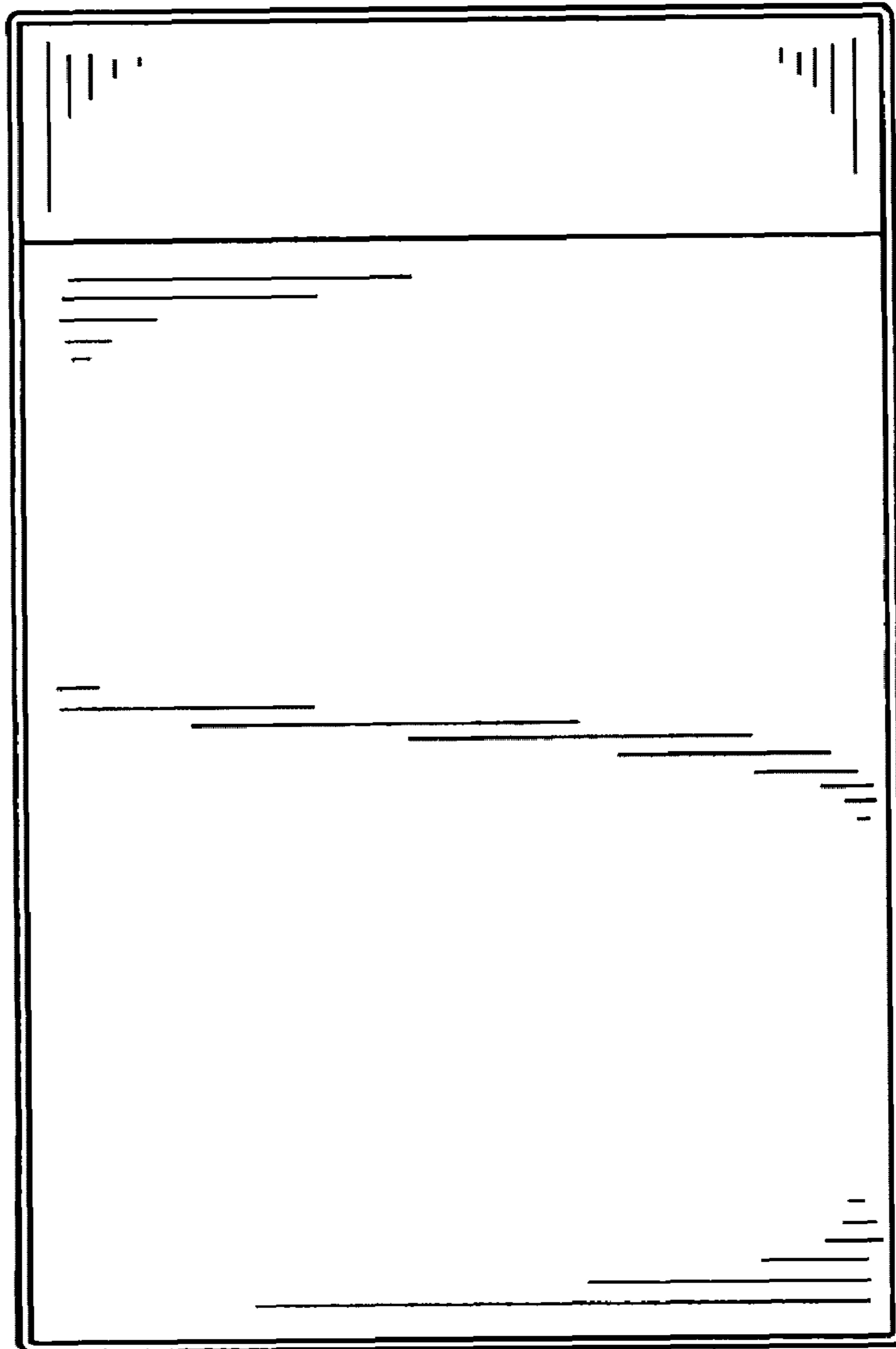


FIG. 10

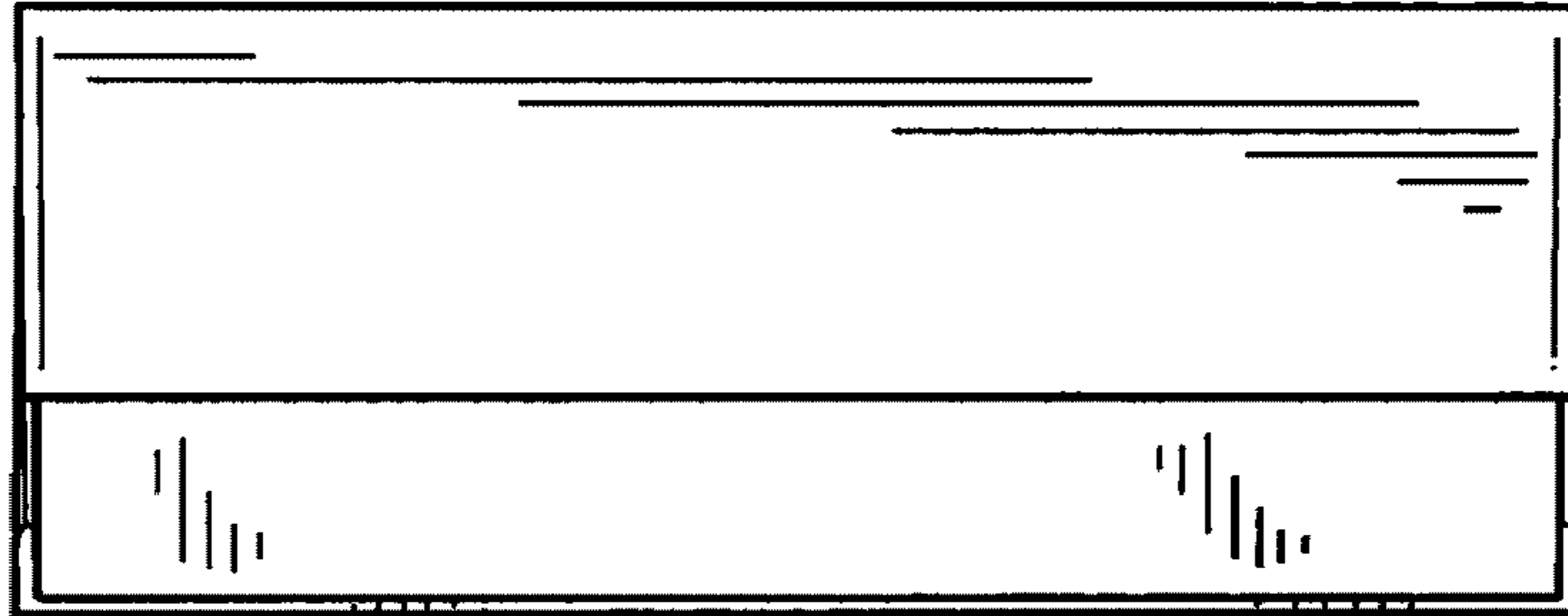


FIG. 11

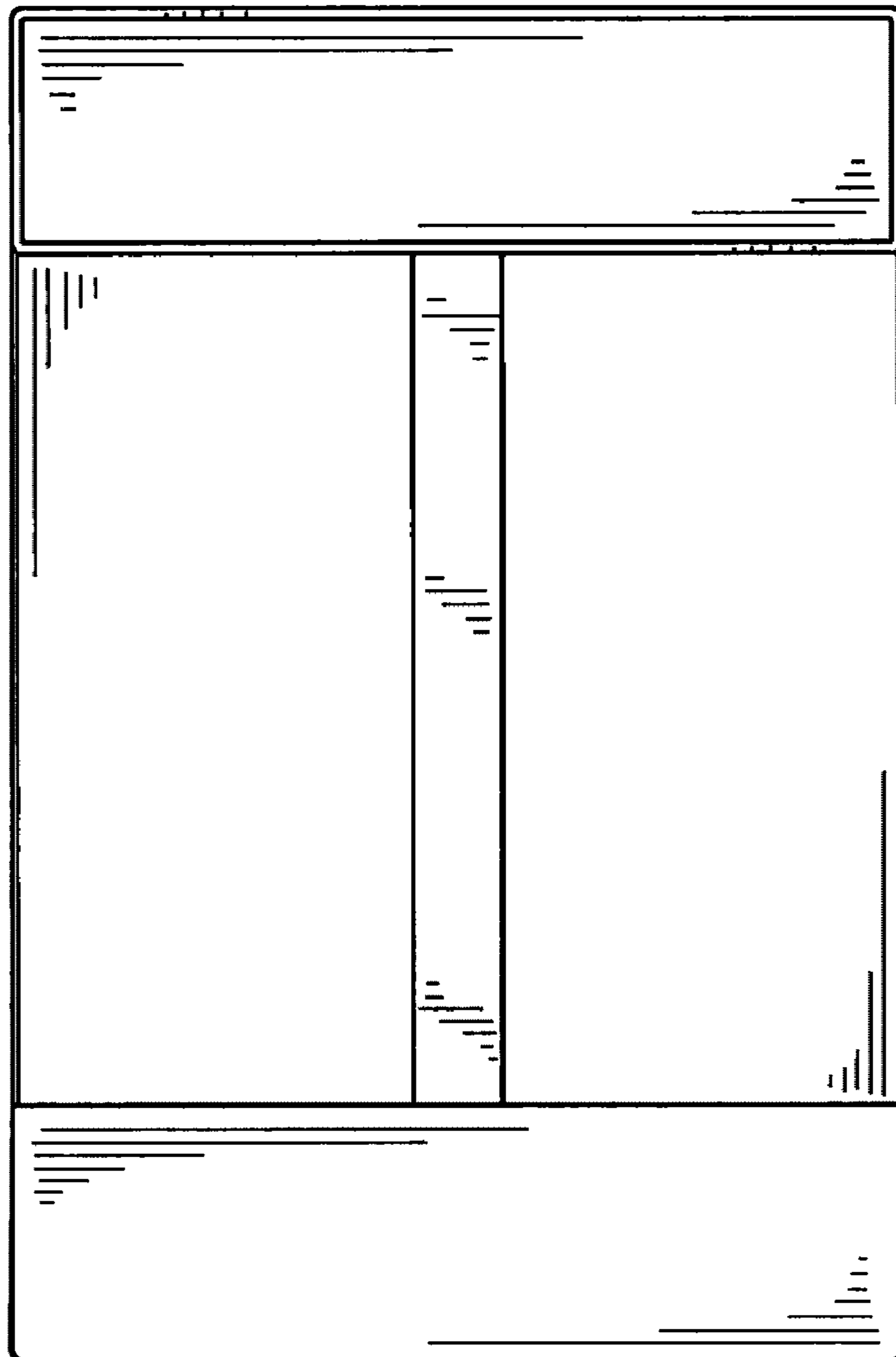


FIG. 12

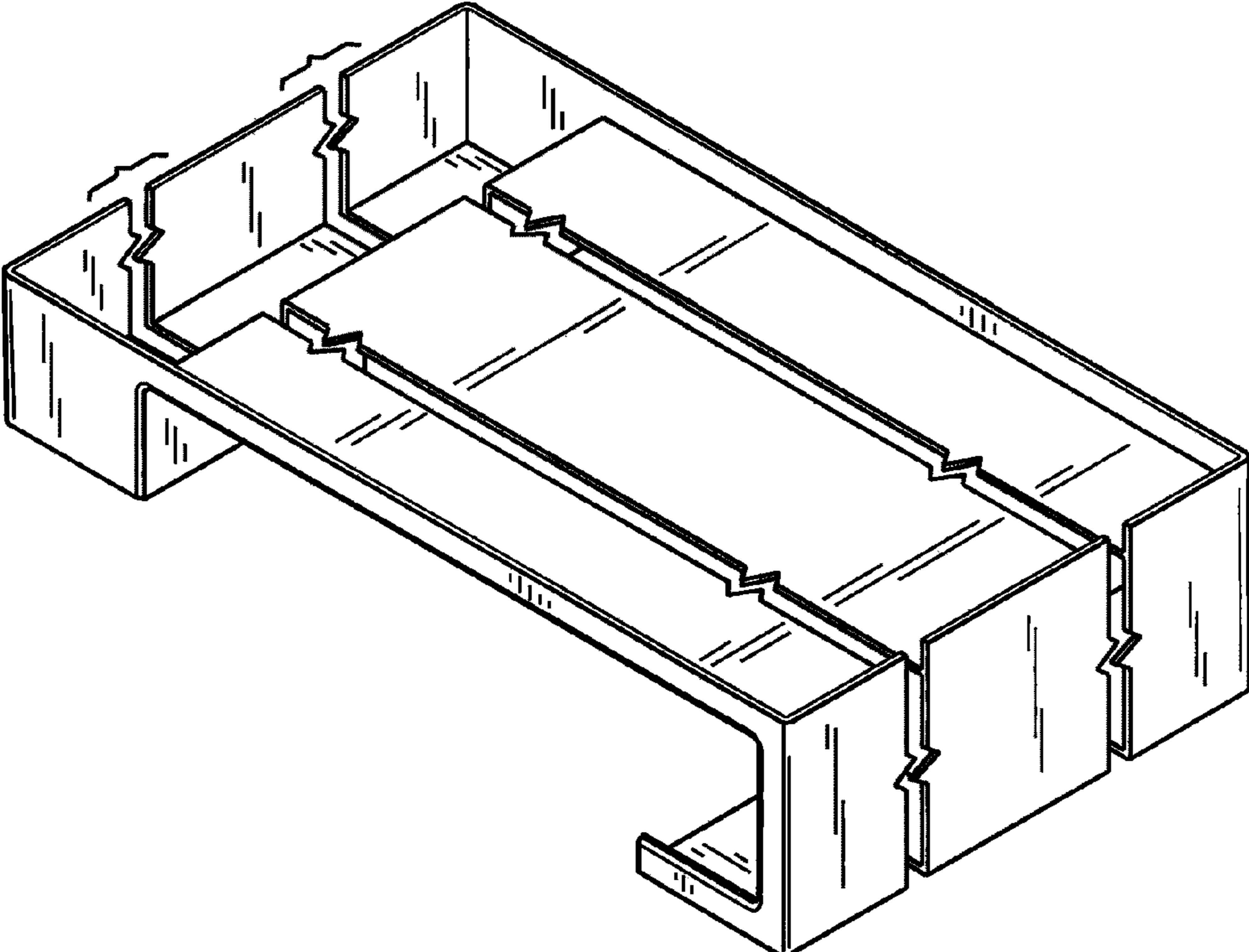


FIG. 13

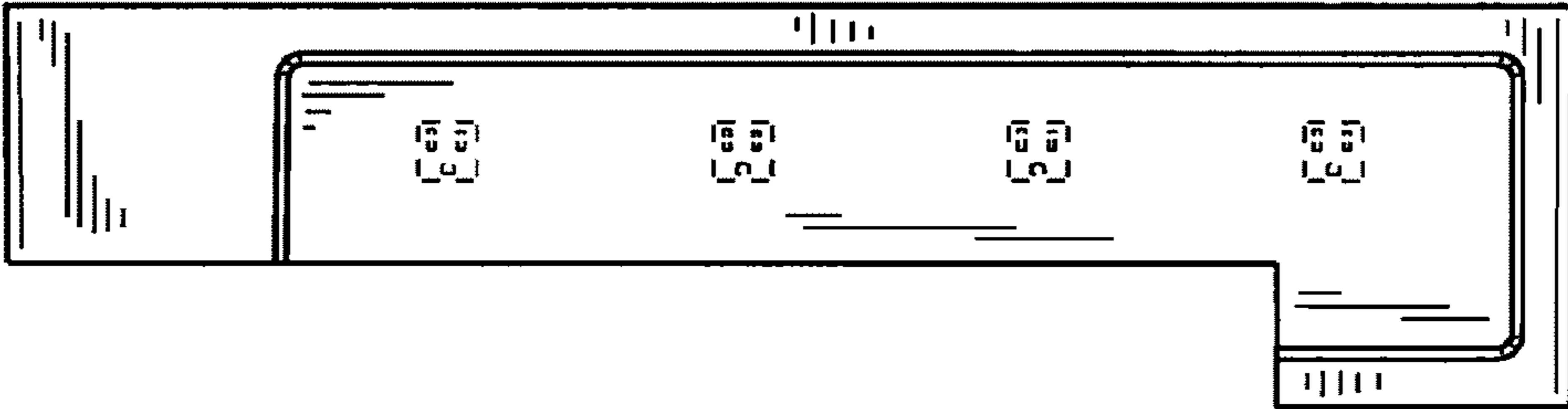


FIG. 14

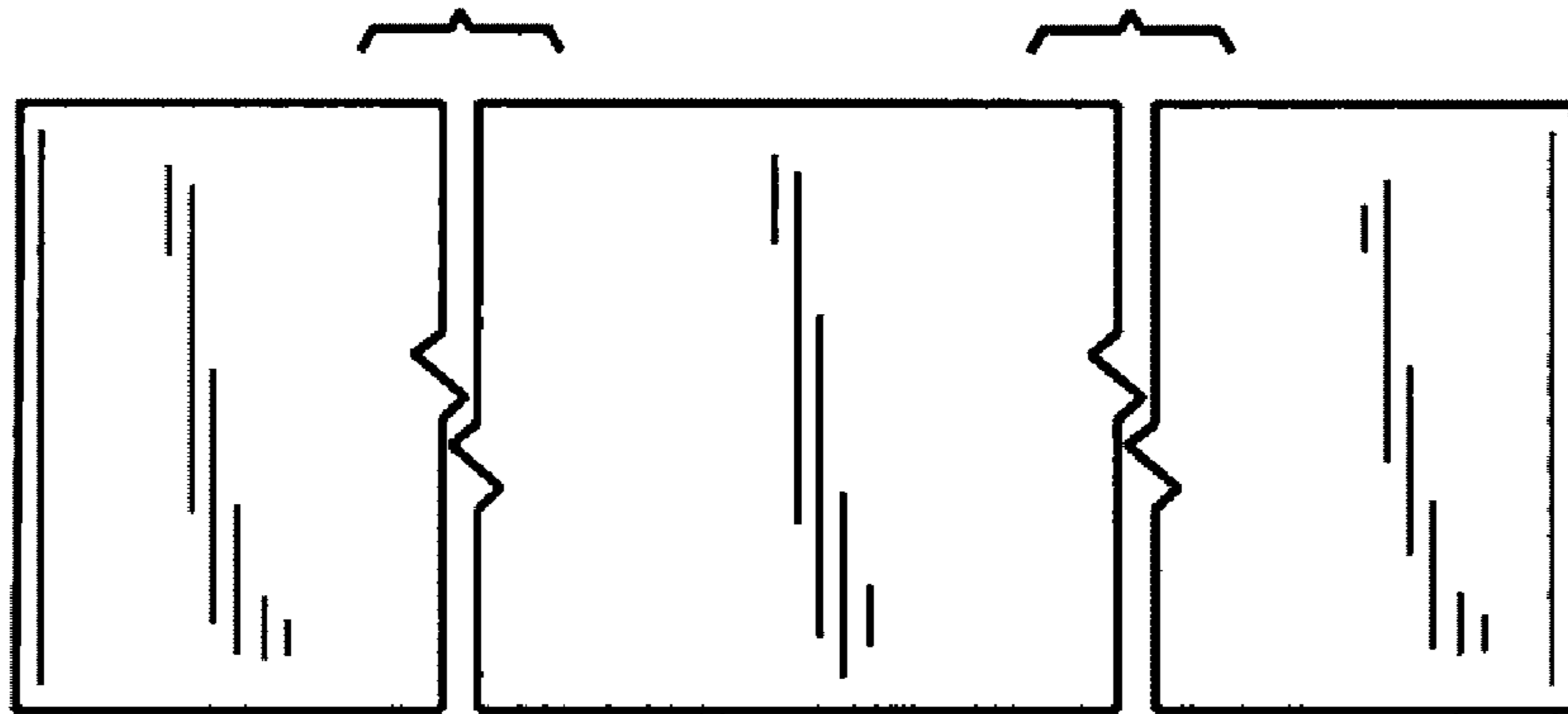


FIG. 15

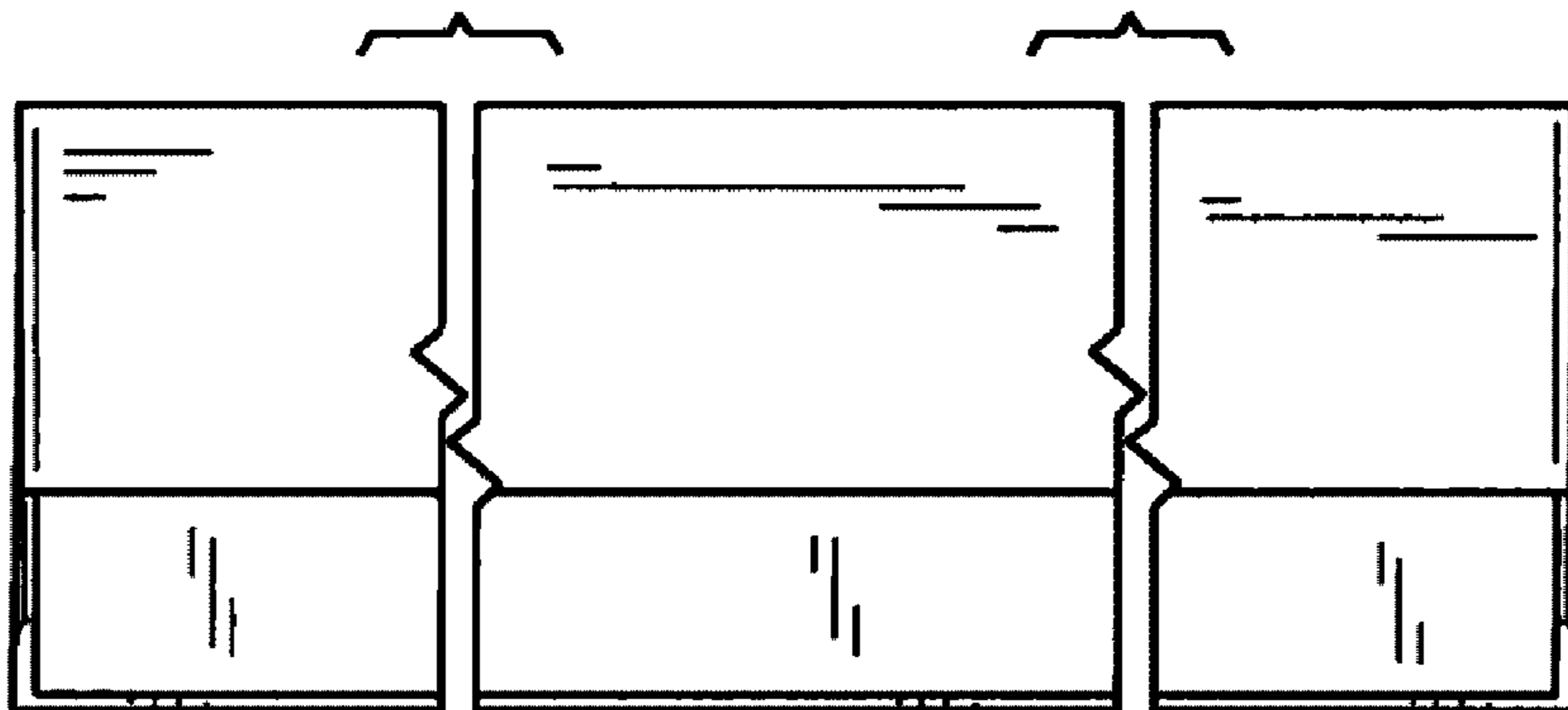


FIG. 16



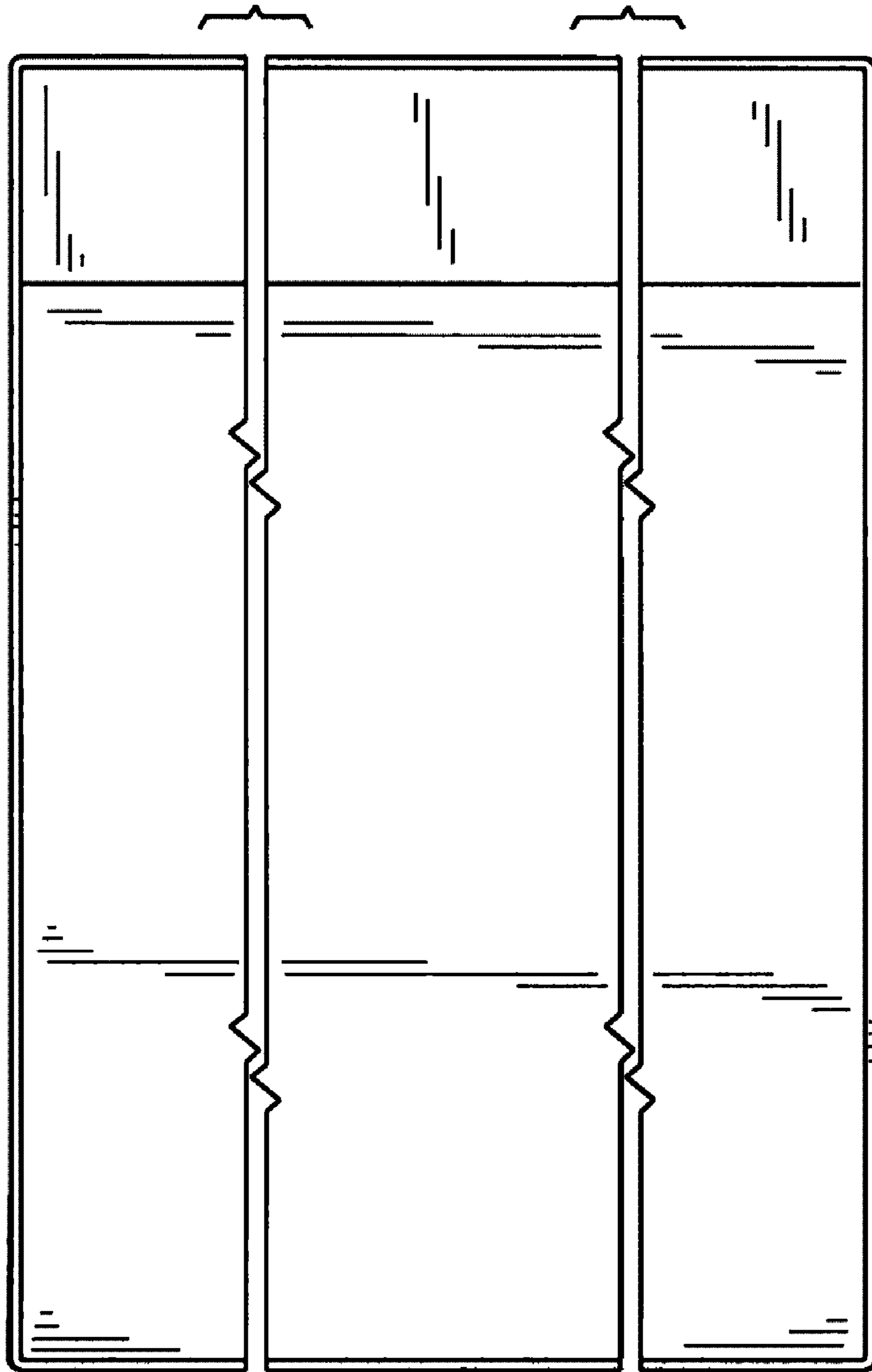


FIG. 17

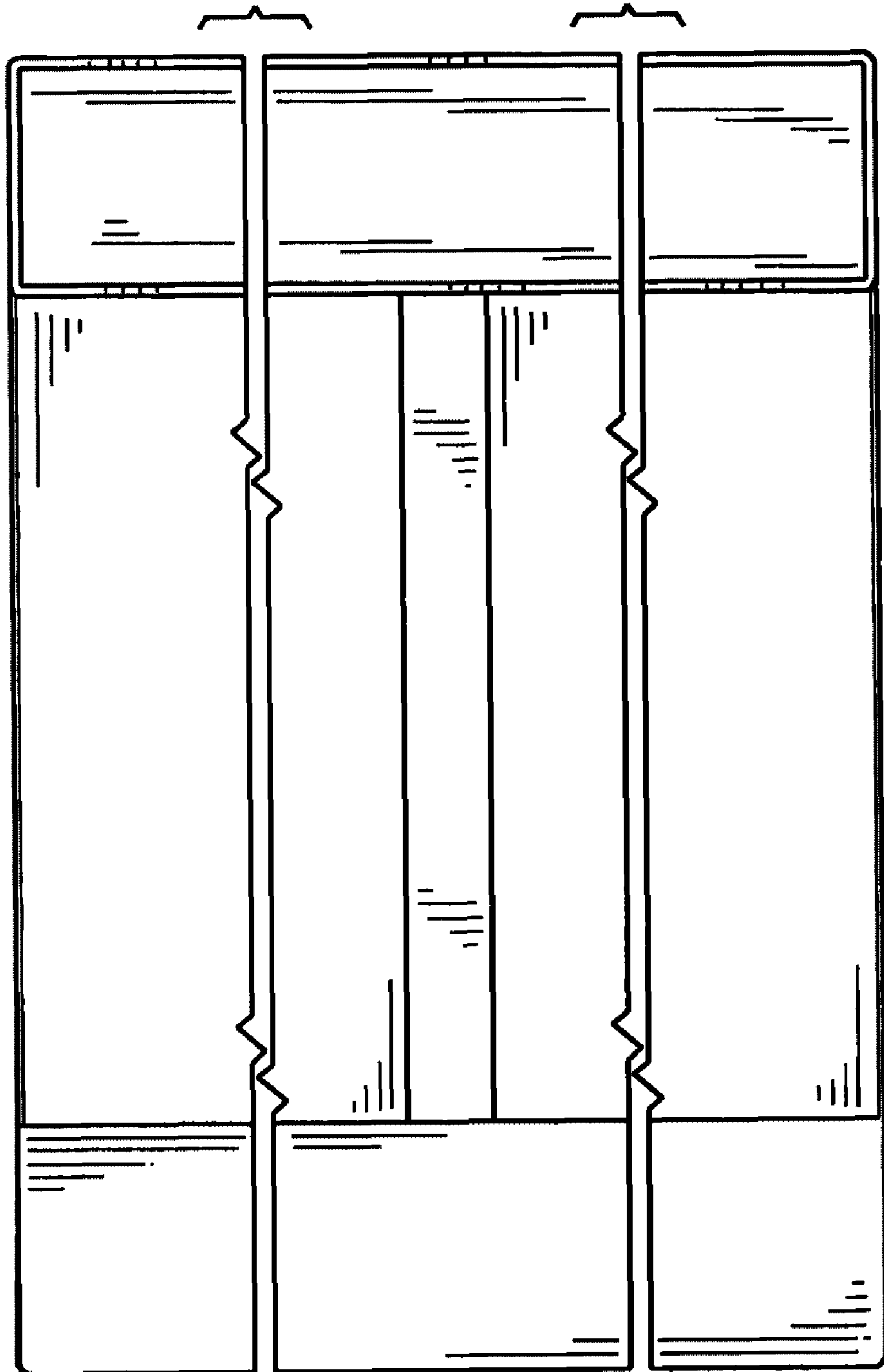


FIG. 18