



US00D651650S

(12) **United States Design Patent**
Kishimoto et al.

(10) **Patent No.:** **US D651,650 S**
(45) **Date of Patent:** **** Jan. 3, 2012**

(54) **COATING FILM TRANSFER TOOL**

(75) Inventors: **Daiki Kishimoto**, Osaka (JP); **Keiji Kai**, Osaka (JP); **Hideto Shima**, Kyoto (JP)

(73) Assignee: **Kokuyo Co., Ltd.**, Osaka (JP)

(**) Term: **14 Years**

(21) Appl. No.: **29/396,339**

(22) Filed: **Jun. 29, 2011**

(30) **Foreign Application Priority Data**

May 6, 2011 (JP) 2011-010202

(51) **LOC (9) Cl.** **19-02**

(52) **U.S. Cl.** **D19/69**

(58) **Field of Classification Search** D19/66,
D19/67, 68, 69, 70; 156/523, 257, 540, 577;
206/411; 225/6, 25, 39, 77; 242/588, 588.1,
242/588.2, 588.3, 588.6, 5

See application file for complete search history.

(56) **References Cited**

U.S. PATENT DOCUMENTS

D421,059 S *	2/2000	Shimizu	D19/69
D456,450 S *	4/2002	Kimura	D19/69
D494,221 S *	8/2004	Suzuki	D19/69
D539,351 S *	3/2007	Mitsui et al.	D19/69
D543,239 S *	5/2007	Suzuki	D19/69
D550,774 S *	9/2007	Kinugasa et al.	D19/69

D594,904 S *	6/2009	Kai et al.	D19/69
D594,905 S *	6/2009	Matsushita et al.	D19/69
D595,774 S *	7/2009	Kouda	D19/69
D598,498 S *	8/2009	Kinugasa et al.	D19/69
7,793,883 B2 *	9/2010	Kinugasa et al.	242/588.6
7,866,362 B2 *	1/2011	Kai et al.	156/540
7,900,679 B2 *	3/2011	Kinugasa et al.	156/577
D645,513 S *	9/2011	Mitsui et al.	D19/69
2005/0139326 A1 *	6/2005	Mitsui et al.	156/540
2005/0155717 A1 *	7/2005	Mitsui et al.	156/577
2006/0244558 A1 *	11/2006	Kinugasa et al.	335/202
2007/0009307 A1 *	1/2007	Kai et al.	400/615.2
2009/0028620 A1 *	1/2009	Kinugasa et al.	400/242
2010/0116440 A1 *	5/2010	Kai et al.	156/577

* cited by examiner

Primary Examiner — Austin Murphy

(74) *Attorney, Agent, or Firm* — Dennis R. Haszko

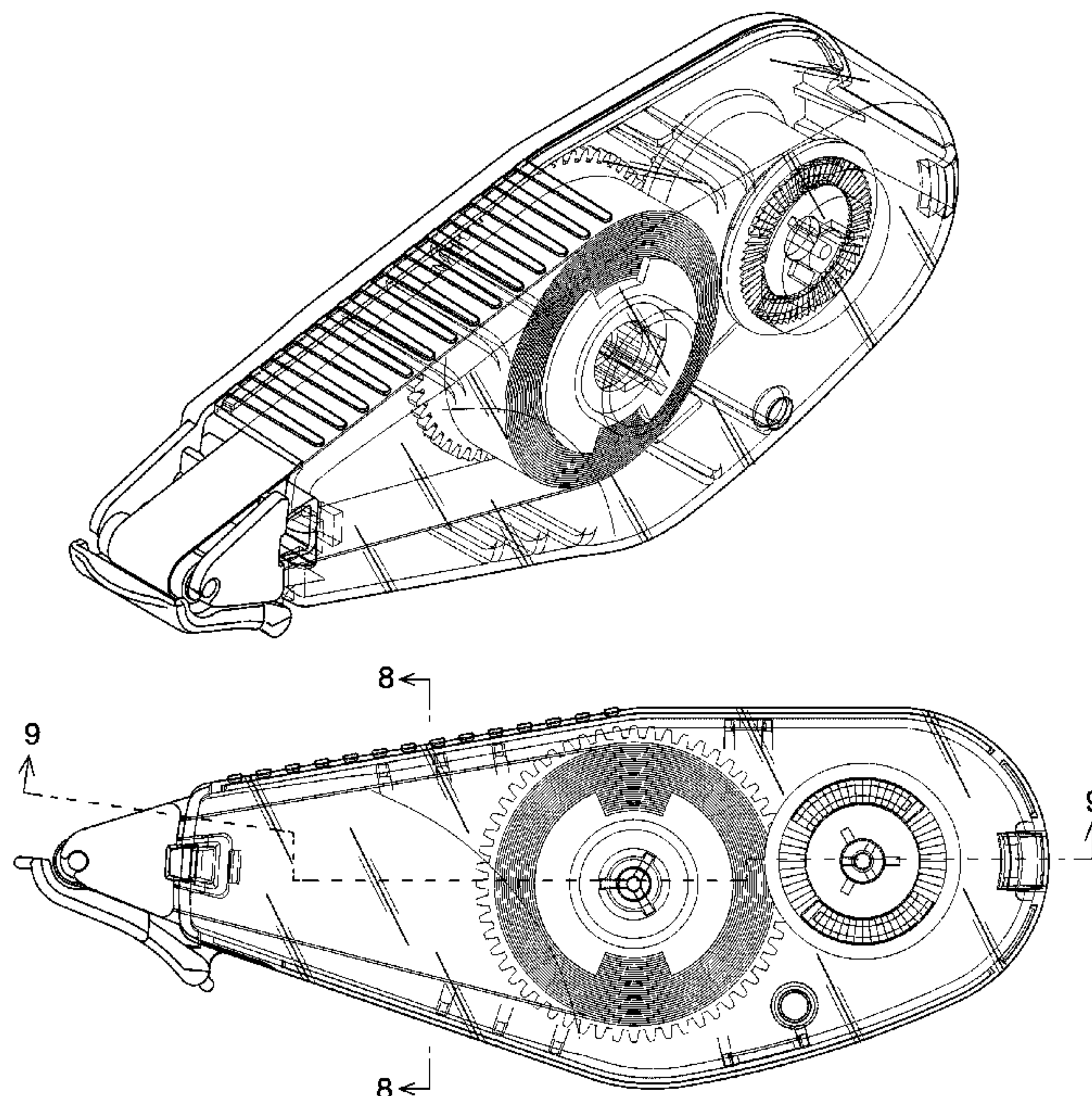
(57) **CLAIM**

The ornamental design for a coating film transfer tool.

DESCRIPTION

FIG. 1 is a perspective view of the coating film transfer tool; FIG. 2 is a front view thereof; FIG. 3 is a rear view thereof; FIG. 4 is a top view thereof; FIG. 5 is a bottom view thereof; FIG. 6 is a right side view thereof; FIG. 7 is a left side view thereof; FIG. 8 is a sectional view thereof along line 8-8 of FIG. 2; and, FIG. 9 is a sectional view thereof along line 9-9 of FIG. 2.

1 Claim, 7 Drawing Sheets



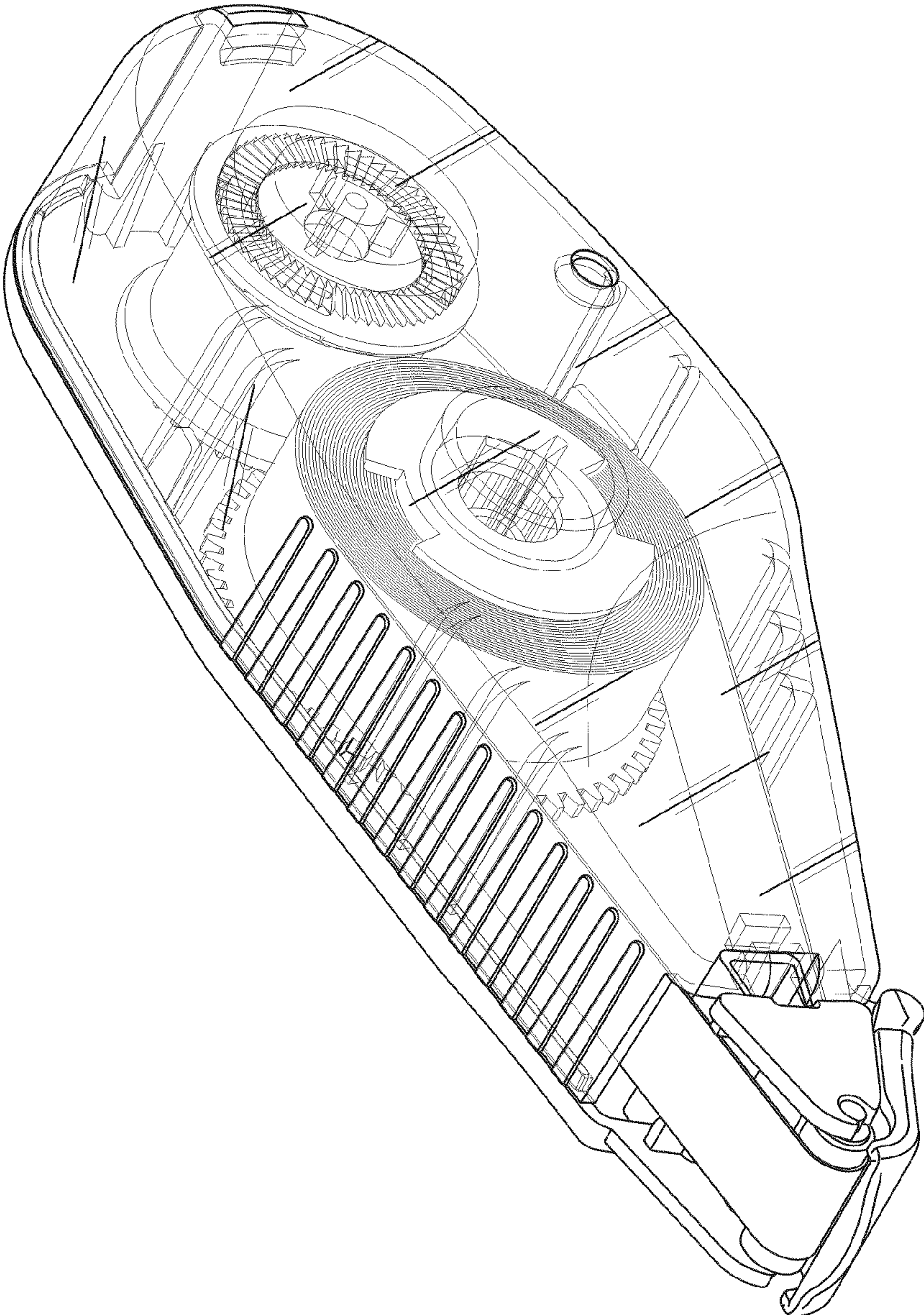


FIG.1

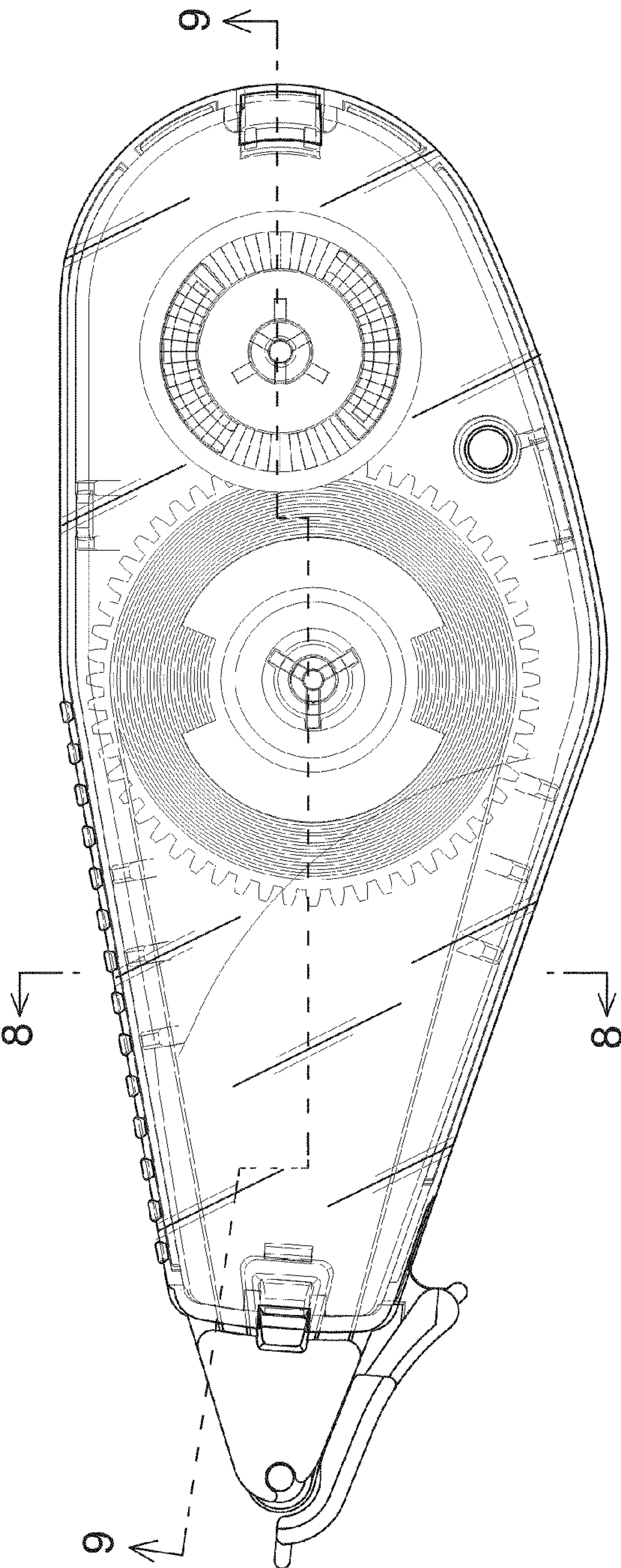


FIG.2

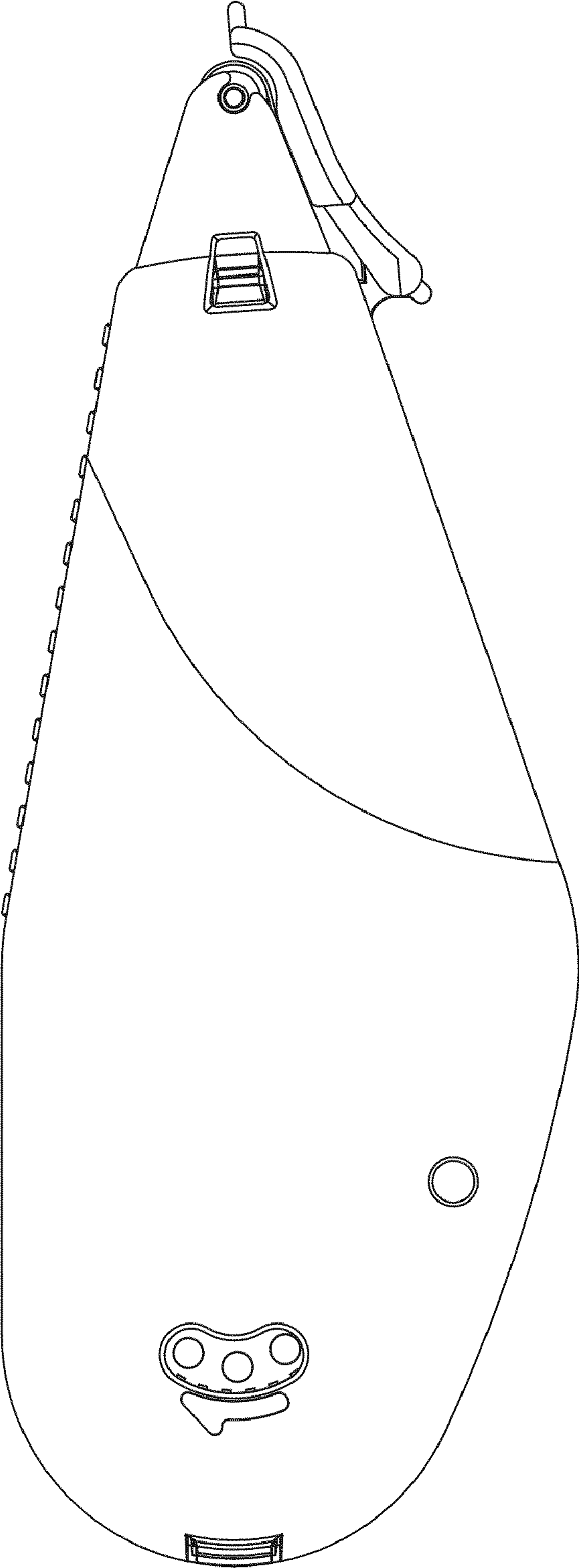


FIG.3

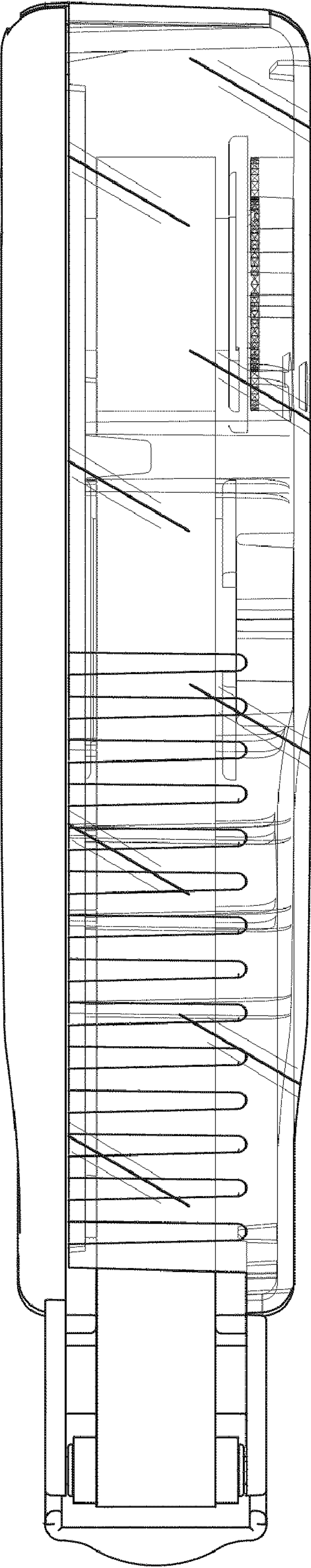


FIG.4

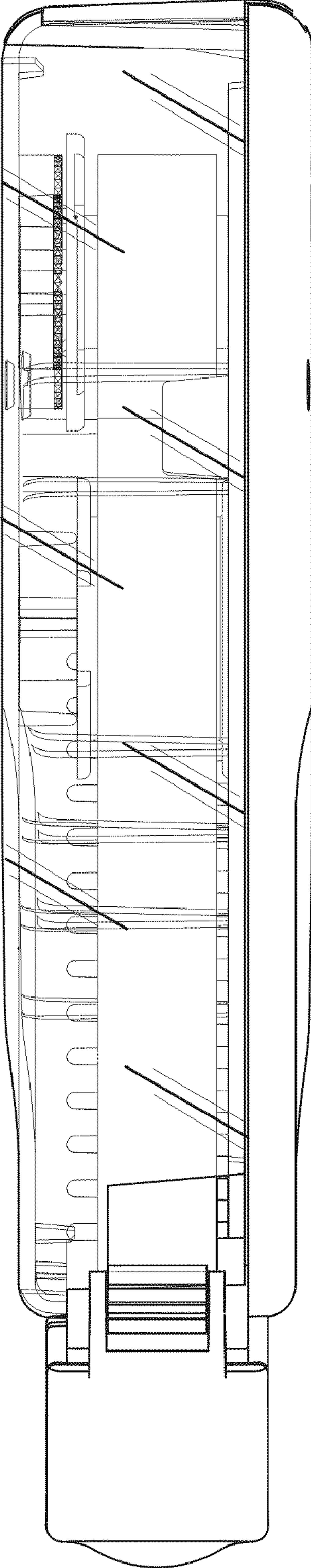


FIG.5

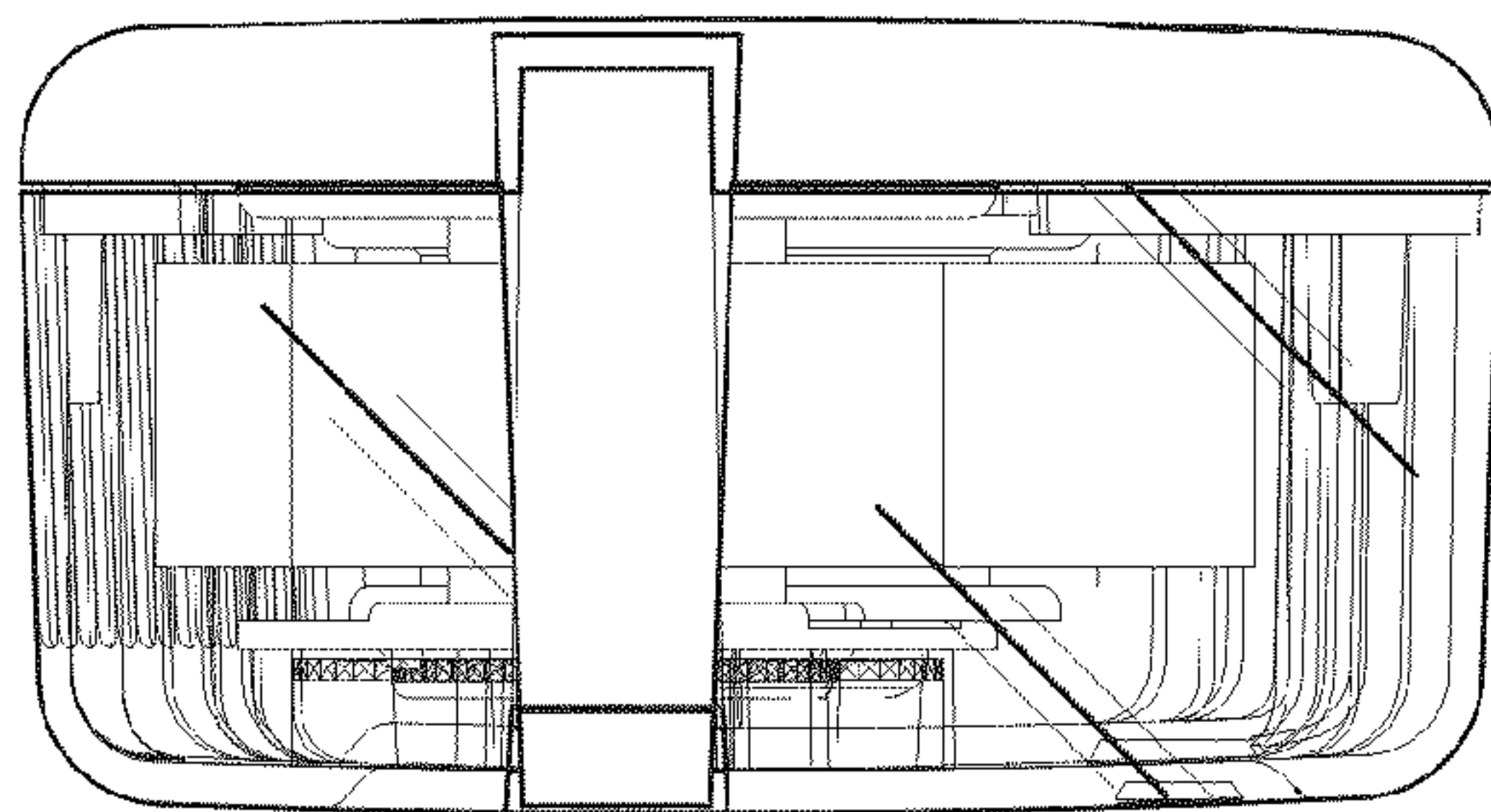


FIG. 6

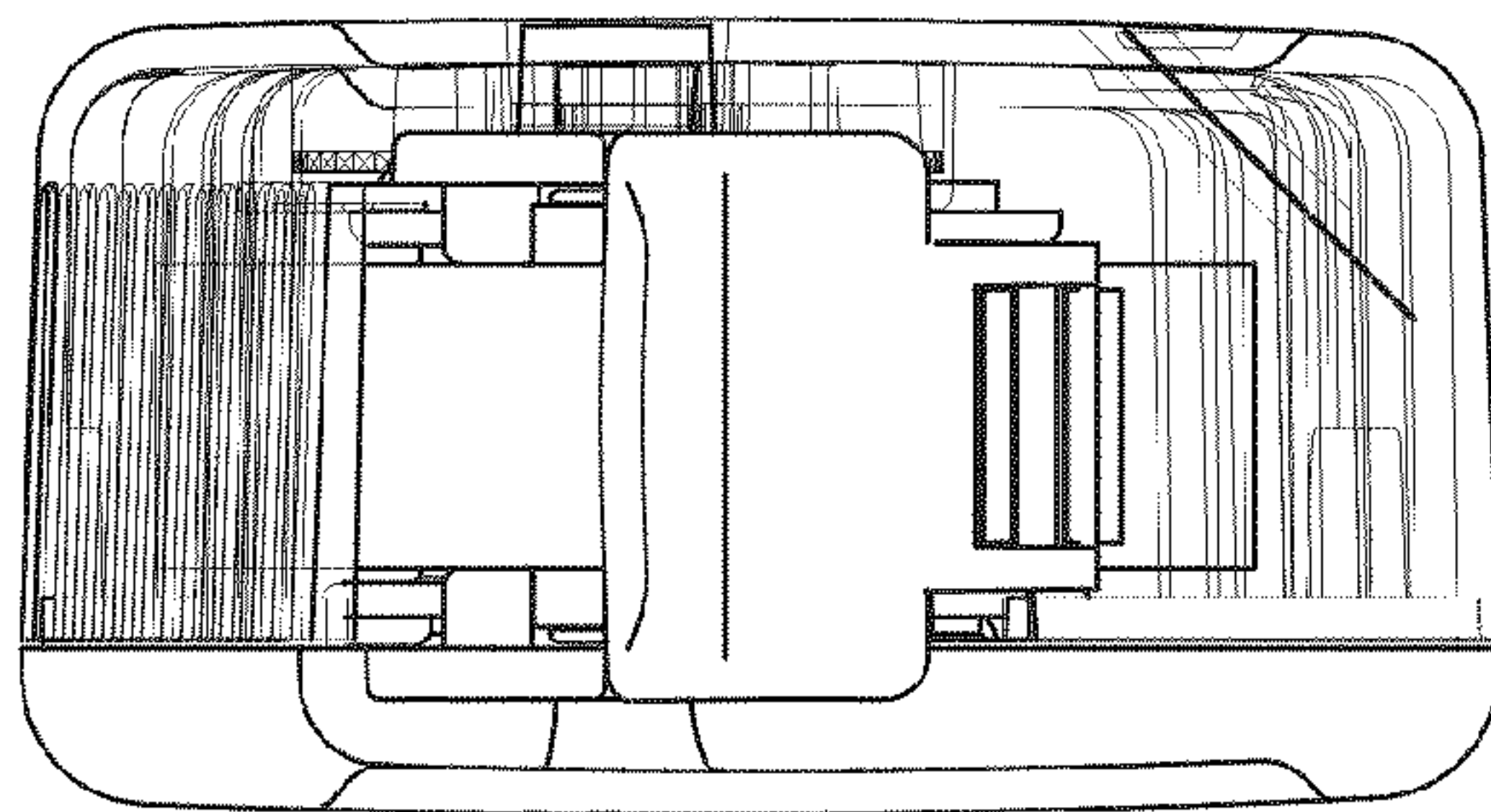


FIG. 7

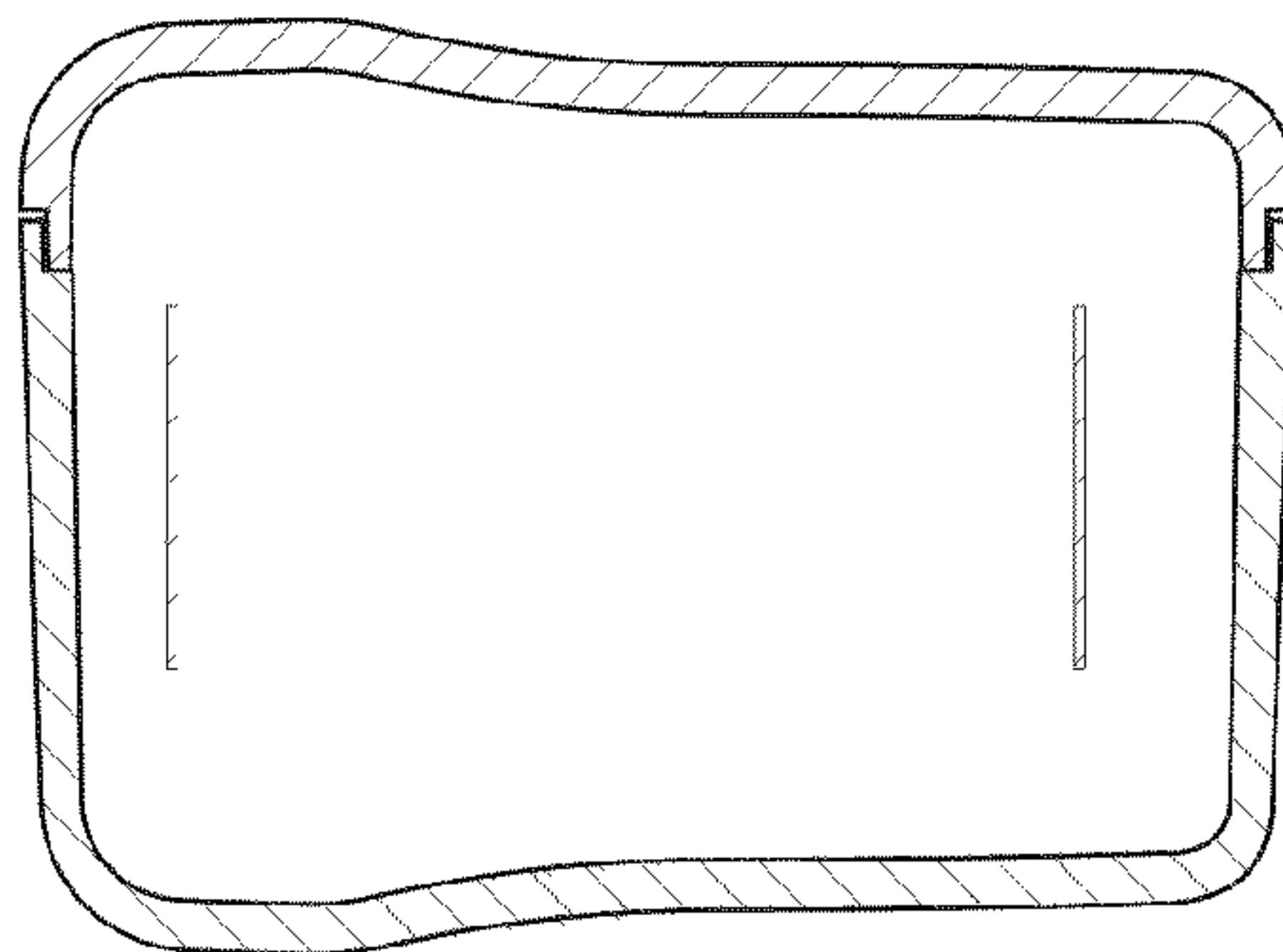


FIG. 8

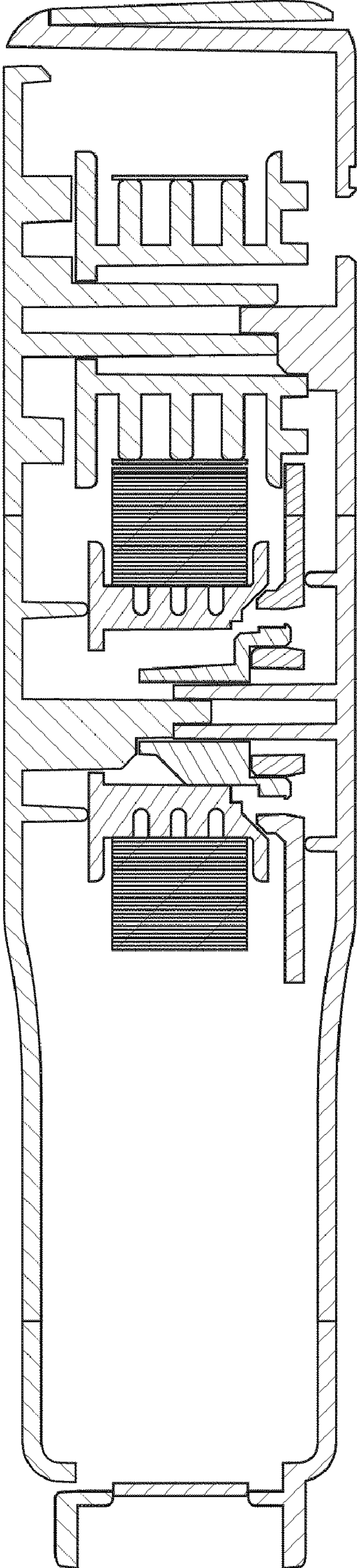


FIG.9