



US00D651647S

(12) **United States Design Patent**  
**Chu**

(10) **Patent No.:** **US D651,647 S**

(45) **Date of Patent:** **\*\* Jan. 3, 2012**

- (54) **PEN**
- (75) Inventor: **Jiun-Yu Chu**, Taipei Hsien (TW)
- (73) Assignee: **Taylor Brands, LLC**, Kingsport, TN (US)
- (\*\*) Term: **14 Years**
- (21) Appl. No.: **29/380,454**
- (22) Filed: **Dec. 6, 2010**
- (51) **LOC (9) Cl.** ..... **19-06**
- (52) **U.S. Cl.** ..... **D19/49**
- (58) **Field of Classification Search** ..... D19/35, D19/36, 41-51, 54-58; 24/11 R, 11 F, 11 P; 401/52, 99, 100, 192, 195, 196; D14/411  
See application file for complete search history.

- D466,156 S \* 11/2002 Nakazawa ..... D19/51
- D467,279 S \* 12/2002 Pellissa Beneyto ..... D19/43
- D472,923 S \* 4/2003 Wang ..... D19/48
- D582,980 S \* 12/2008 Price ..... D19/48
- D601,195 S \* 9/2009 Wang ..... D19/48
- D603,502 S \* 11/2009 Petersen ..... D24/133
- D636,022 S \* 4/2011 Kim ..... D19/41

\* cited by examiner

*Primary Examiner* — Elizabeth Albert

(74) *Attorney, Agent, or Firm* — Luedeka, Neely & Graham, PC

(56) **References Cited**

**U.S. PATENT DOCUMENTS**

- 1,508,375 A \* 9/1924 Alland ..... 401/52
- D106,789 S \* 11/1937 Gade ..... D19/46
- D251,302 S \* 3/1979 Malamoud ..... D19/49
- D258,217 S \* 2/1981 Sakaoka ..... D19/49
- D274,357 S \* 6/1984 Moreno ..... D24/142
- D303,549 S \* 9/1989 Horntrich ..... D19/48
- D324,543 S \* 3/1992 Poisson ..... D19/49
- D335,306 S \* 5/1993 Poisson et al. .... D19/48
- D337,611 S \* 7/1993 Peersmann ..... D19/48
- D363,310 S \* 10/1995 Oka ..... D19/55
- D375,524 S \* 11/1996 Takahashi ..... D19/48
- D444,173 S \* 6/2001 Izushima ..... D19/48

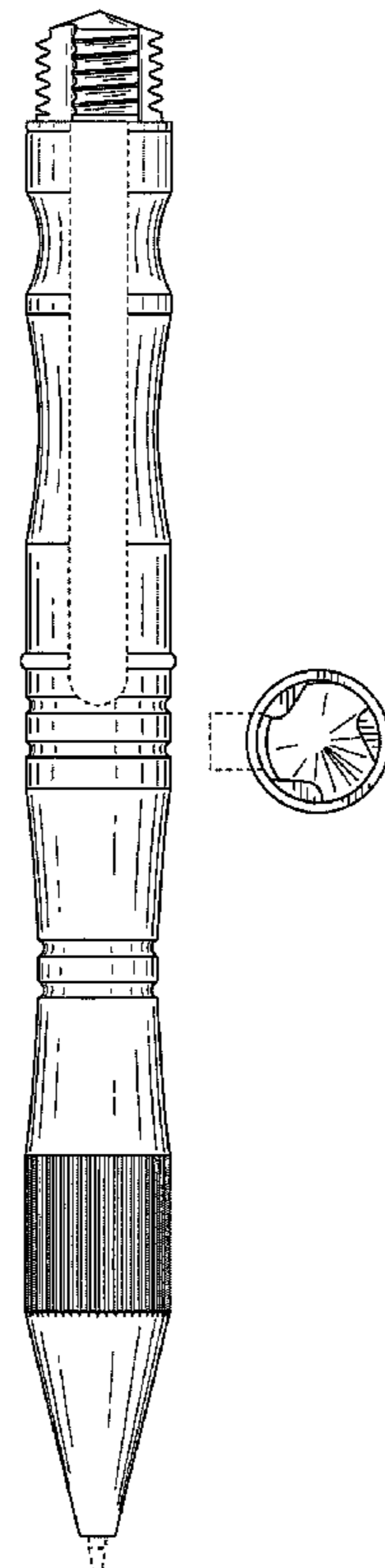
(57) **CLAIM**

The ornamental design for a pen, as shown and described.

**DESCRIPTION**

FIG. 1 is a perspective view of a pen showing my new design; FIG. 2 is a front elevation view of the pen of FIG. 1; FIG. 3 is a rear elevation view of the pen of FIG. 1; FIG. 4 is a left side elevation view of the pen of FIG. 1; FIG. 5 is a right side elevation view of the pen of FIG. 1; FIG. 6 is a top plan view of the pen of FIG. 1; and, FIG. 7 is a bottom plan view of the pen of FIG. 1. The broken lines in the drawings showing the clip and the writing point in FIGS. 1-7 are included for the purpose of illustrating portions of the pen that form no part of the claimed design.

**1 Claim, 4 Drawing Sheets**



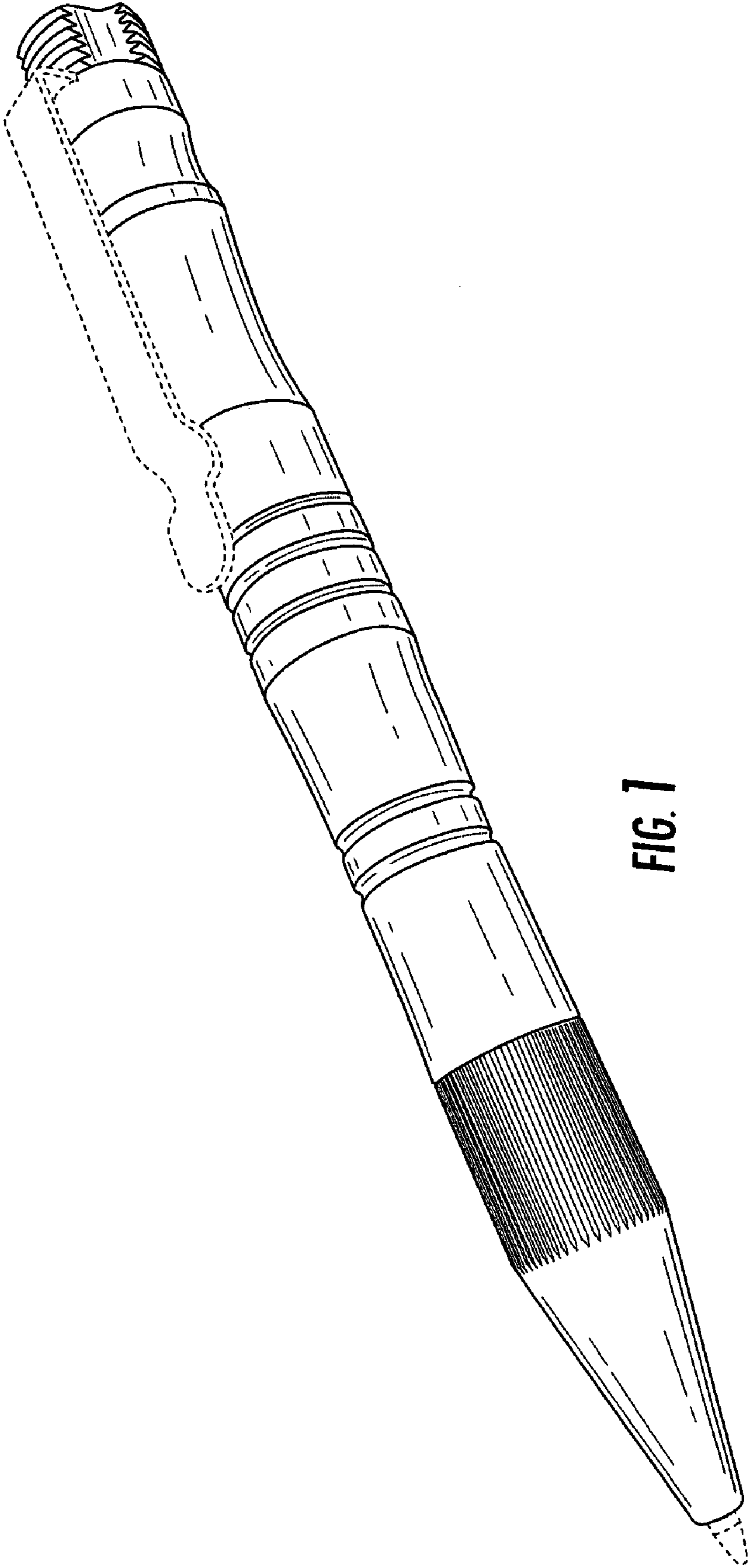
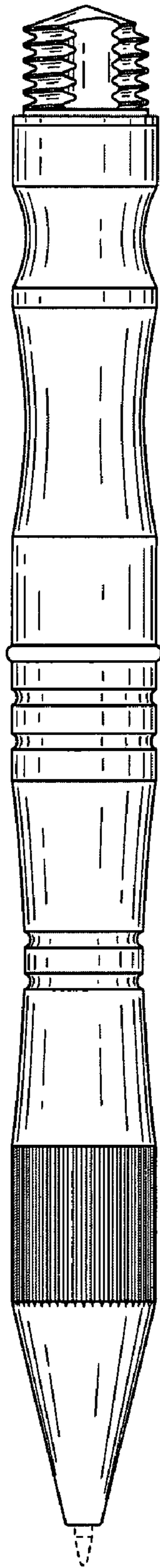
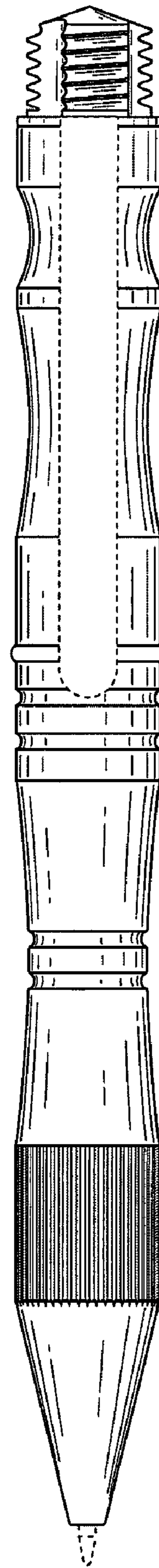


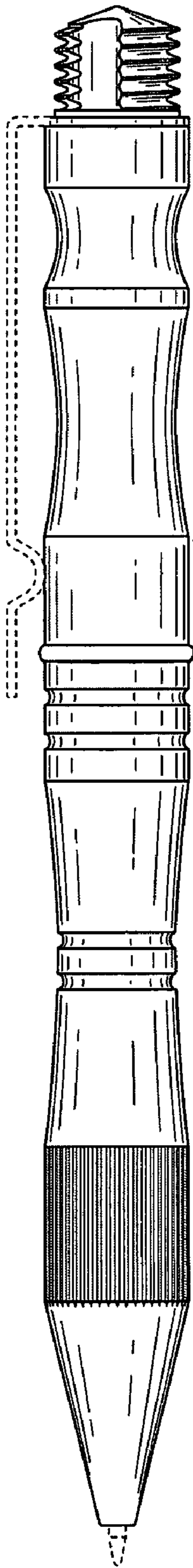
FIG. 7



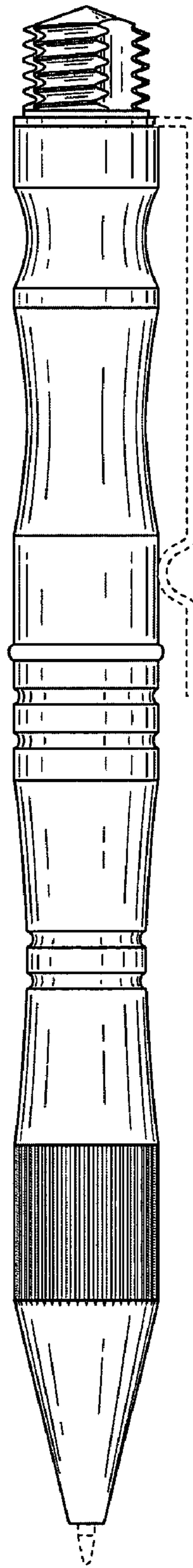
**FIG. 2**



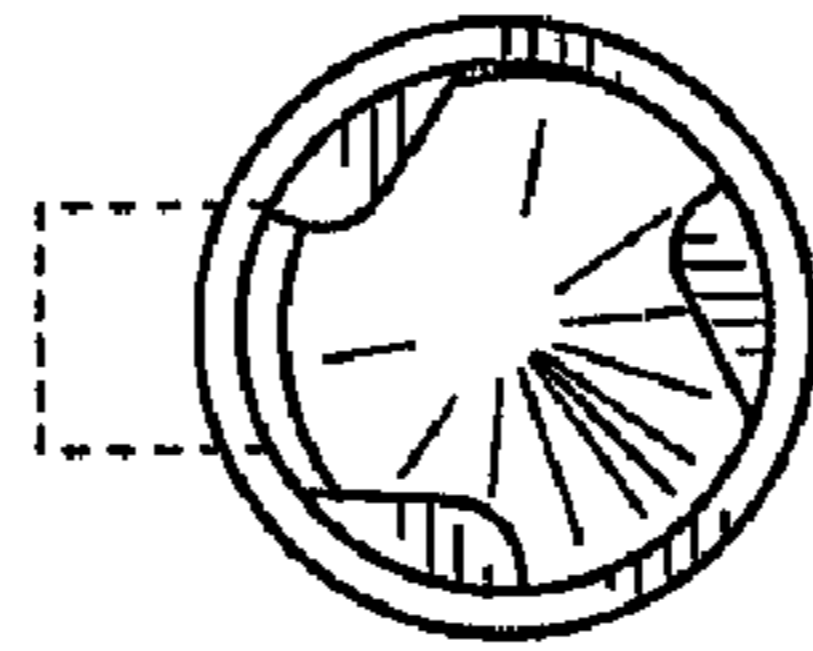
**FIG. 3**



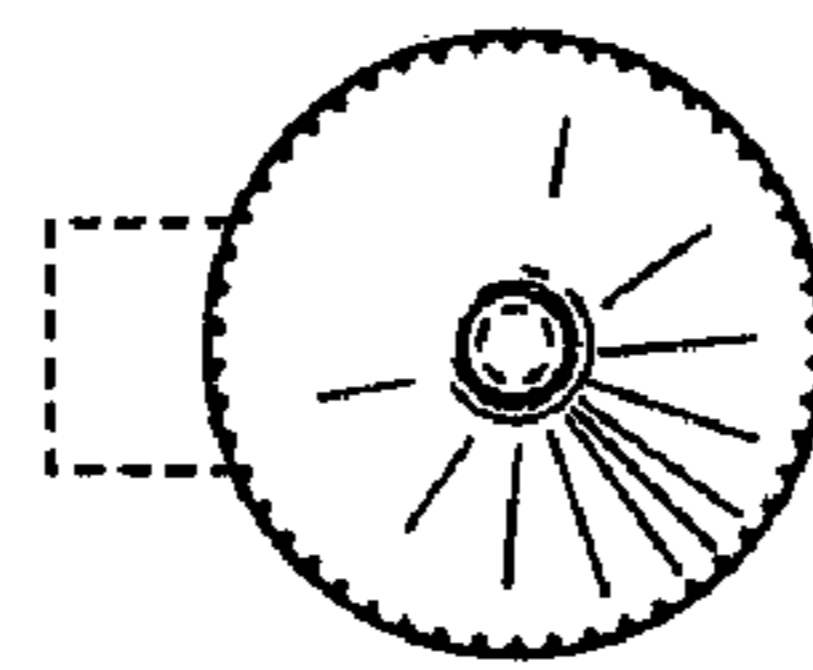
**FIG. 4**



**FIG. 5**



**FIG. 6**



**FIG. 7**