



US00D651643S

(12) **United States Design Patent**  
**Sakai**

(10) **Patent No.:** **US D651,643 S**  
(45) **Date of Patent:** **\*\* Jan. 3, 2012**

(54) **TONER CARTRIDGE**

(75) Inventor: **Yoshiaki Sakai**, Kanagawa (JP)

(73) Assignee: **Fuji Xerox Co., Ltd**, Tokyo (JP)

(\*\*) Term: **14 Years**

(21) Appl. No.: **29/390,129**

(22) Filed: **Apr. 20, 2011**

(30) **Foreign Application Priority Data**

Oct. 22, 2010 (JP) ..... D2010-025458

(51) **LOC (9) Cl.** ..... **16-03**

(52) **U.S. Cl.** ..... **D18/43**

(58) **Field of Classification Search** ..... D14/471;  
D18/12, 36, 40, 43, 44, 56; 347/197, 222;  
399/24-28, 107-112, 119, 121, 122, 222-224  
See application file for complete search history.

(56) **References Cited**

U.S. PATENT DOCUMENTS

|              |         |                   |       |        |
|--------------|---------|-------------------|-------|--------|
| D171,578 S * | 3/1954  | Brucker           | ..... | D18/43 |
| D240,201 S * | 6/1976  | Avolio            | ..... | D18/43 |
| D431,260 S * | 9/2000  | Kohno et al.      | ..... | D18/43 |
| D432,916 S * | 10/2000 | Drinkwater et al. | ..... | D9/447 |
| D538,850 S * | 3/2007  | Choi et al.       | ..... | D18/56 |
| D546,874 S * | 7/2007  | Hakukawa          | ..... | D18/43 |
| D574,039 S * | 7/2008  | Saito et al.      | ..... | D18/43 |
| D583,862 S * | 12/2008 | Park et al.       | ..... | D18/56 |

|                 |         |                  |       |        |
|-----------------|---------|------------------|-------|--------|
| D630,244 S *    | 1/2011  | Takiguchi et al. | ..... | D18/43 |
| D636,016 S *    | 4/2011  | Naito et al.     | ..... | D18/43 |
| 2010/0316414 A1 | 12/2010 | Saito et al.     |       |        |

FOREIGN PATENT DOCUMENTS

JP 2010-286655 A 12/2010

\* cited by examiner

*Primary Examiner* — Garth Rademaker

(74) *Attorney, Agent, or Firm* — Sughrue Mion, PLLC

(57) **CLAIM**

The ornamental design for a toner cartridge, as shown and described.

**DESCRIPTION**

FIG. 1 is a top, front, right side perspective view of a toner cartridge showing our new design;  
 FIG. 2 is a top, rear, right side perspective view thereof;  
 FIG. 3 is a bottom, front, right side perspective view thereof;  
 FIG. 4 is a front view thereof;  
 FIG. 5 is a rear view thereof;  
 FIG. 6 is a top plan view thereof;  
 FIG. 7 is a bottom view thereof;  
 FIG. 8 is a left side view thereof; and,  
 FIG. 9 is a right side view thereof.

The portions of the article in broken line are shown for illustrative purposes only and form no part of the claimed design.  
 The portions of the article in dashed-dotted line are shown for boundaries between the claimed portion and the non-claimed portion and form no part of the claimed design.

**1 Claim, 8 Drawing Sheets**

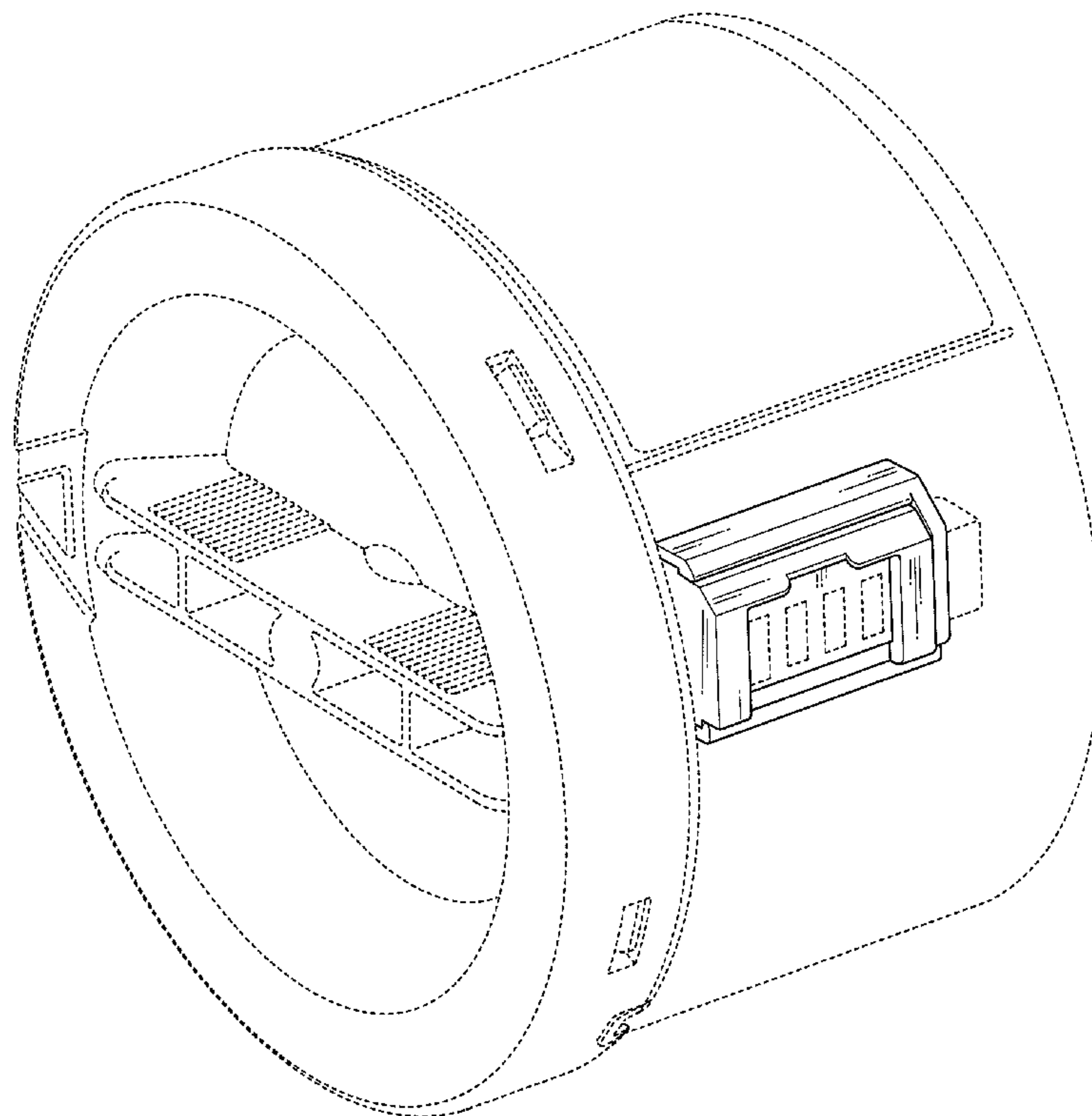


Fig. 1

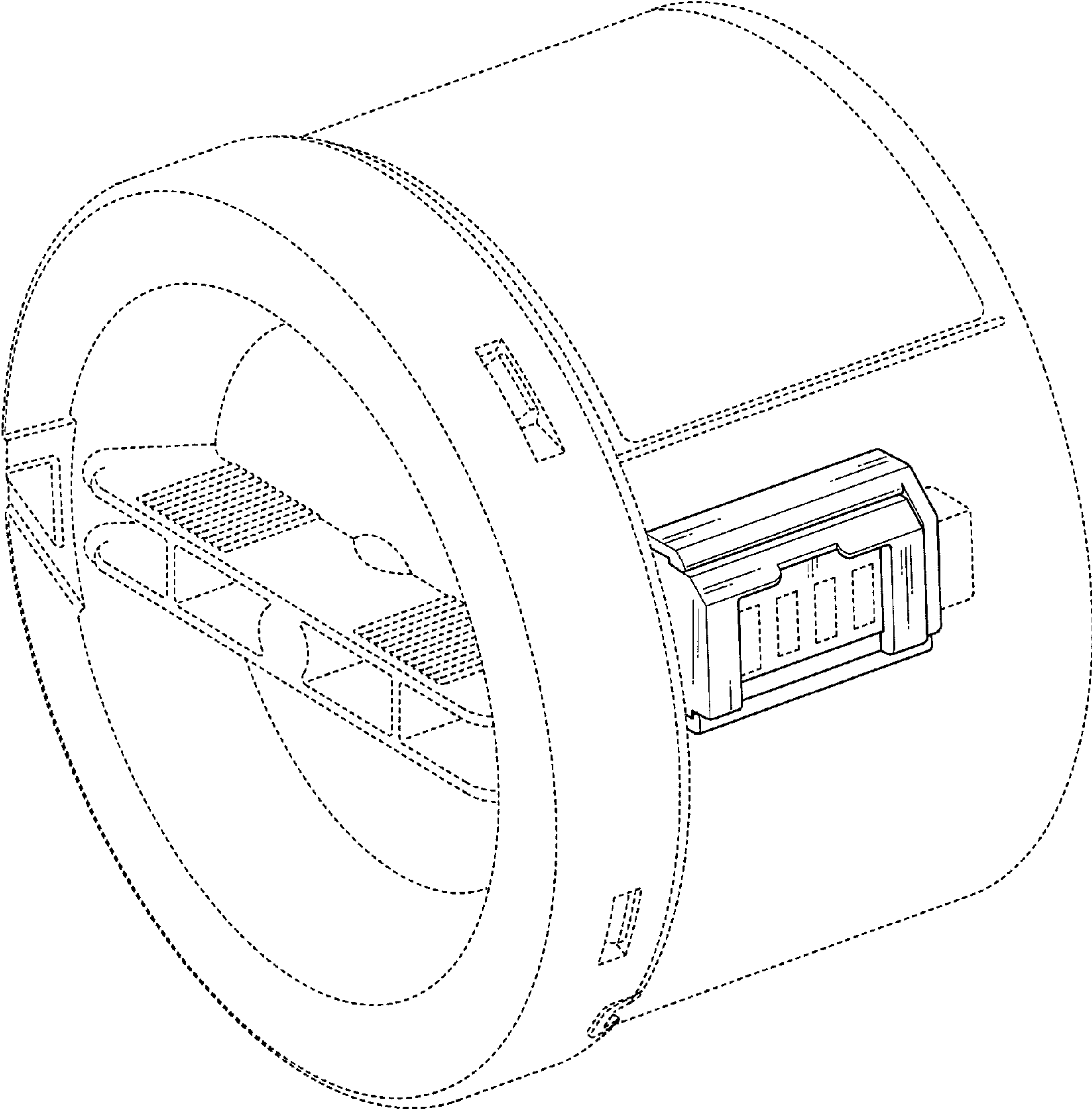


Fig. 2

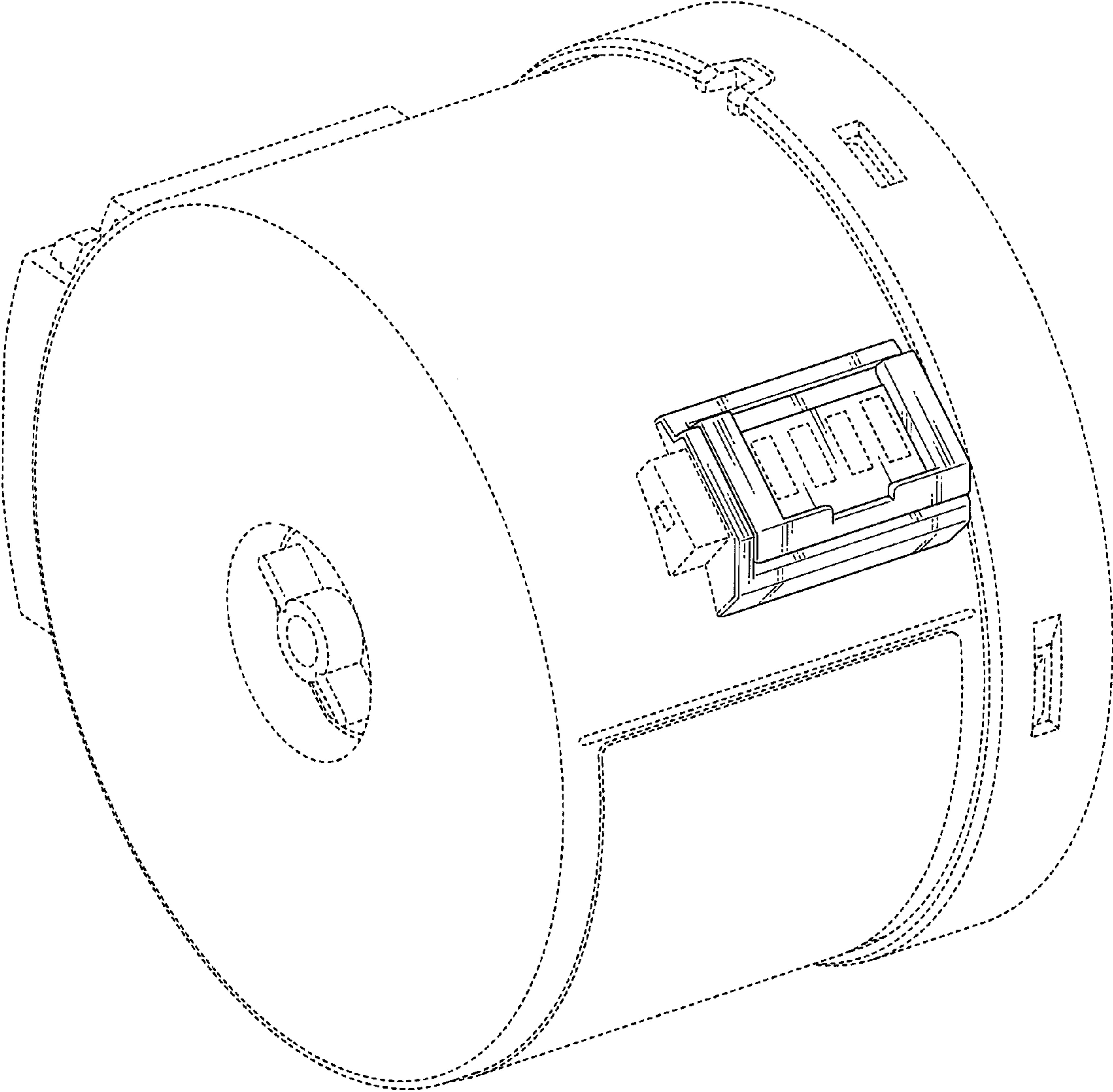


Fig. 3

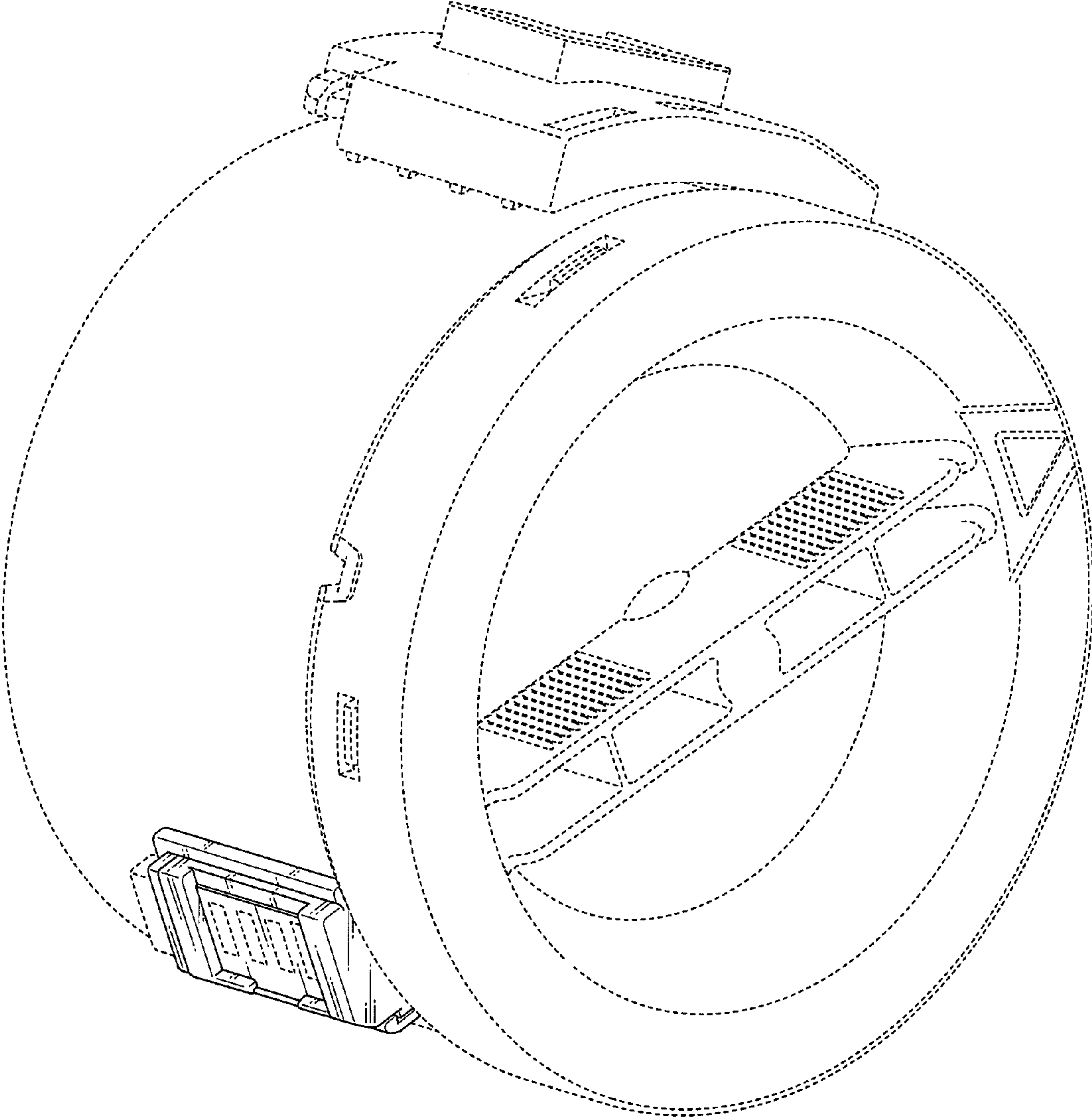


Fig. 4

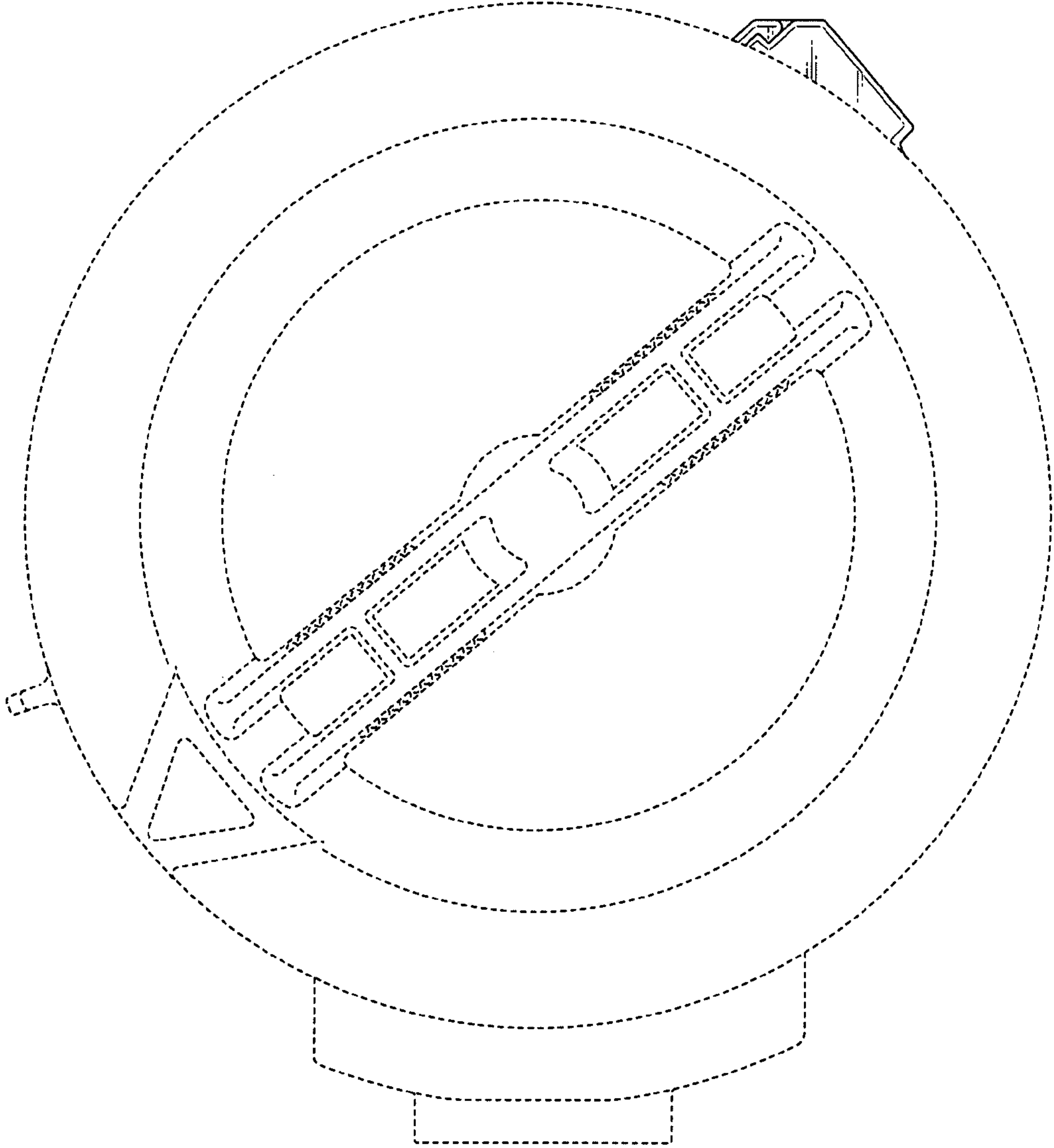




Fig. 5

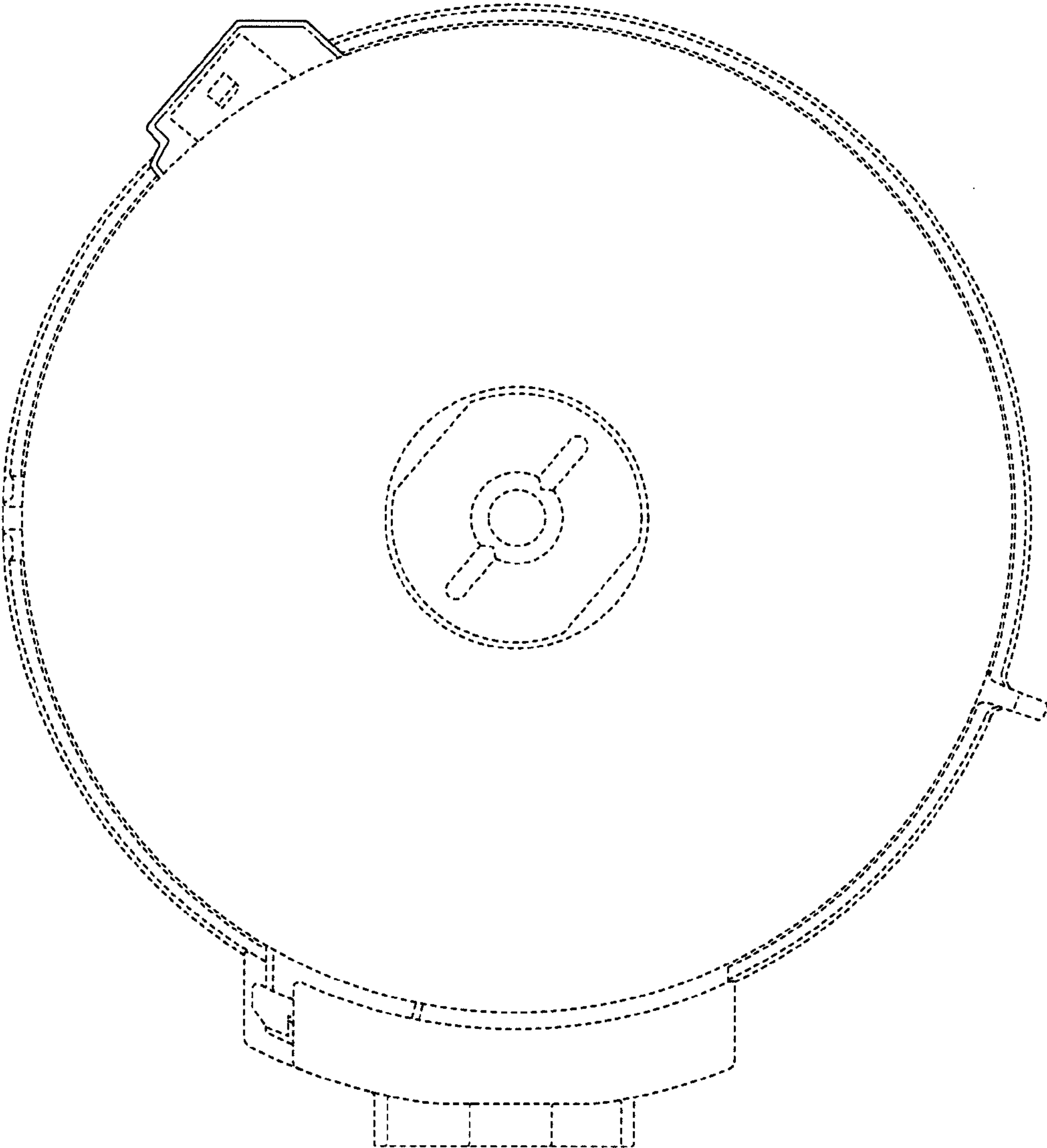


Fig. 6

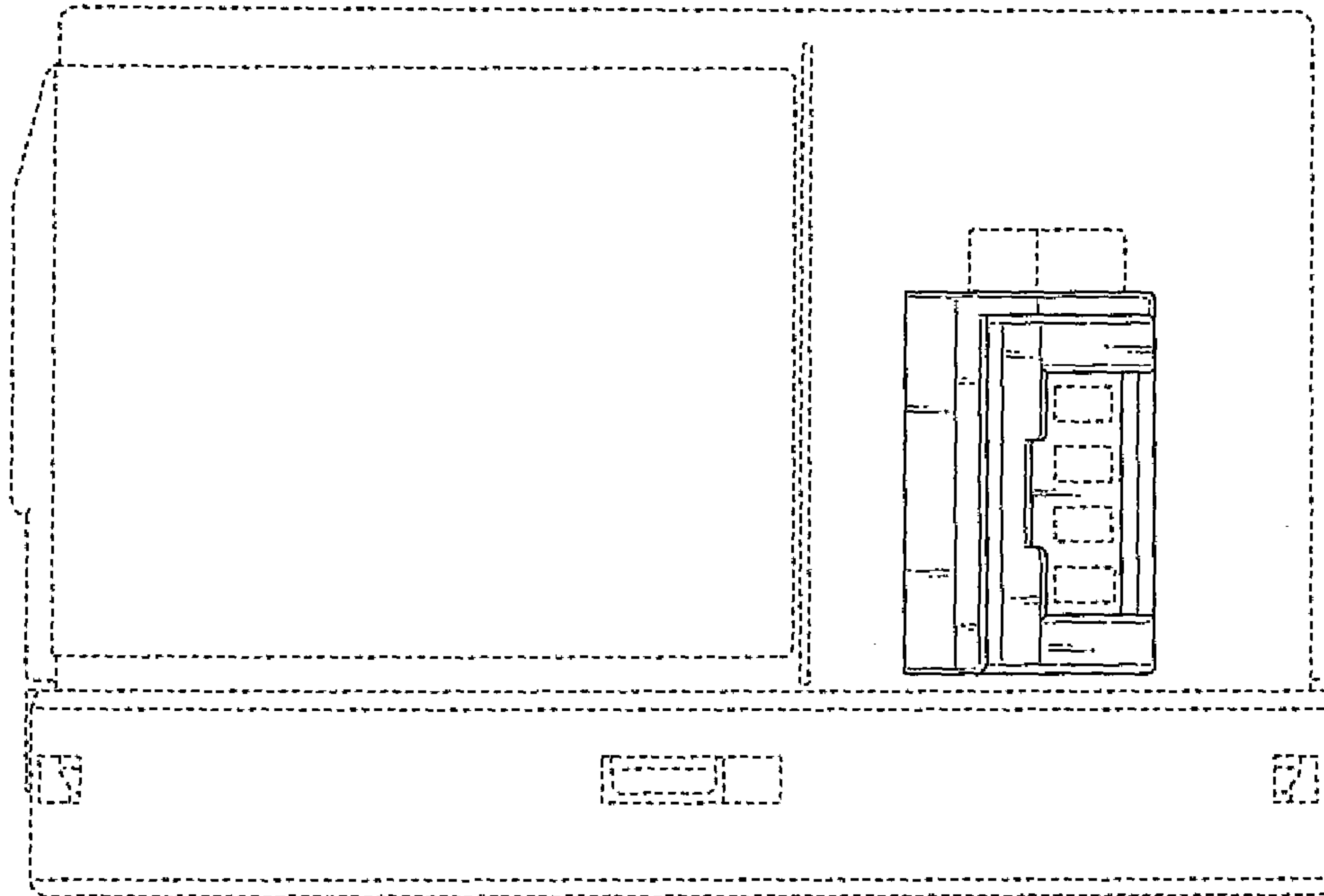


Fig. 7

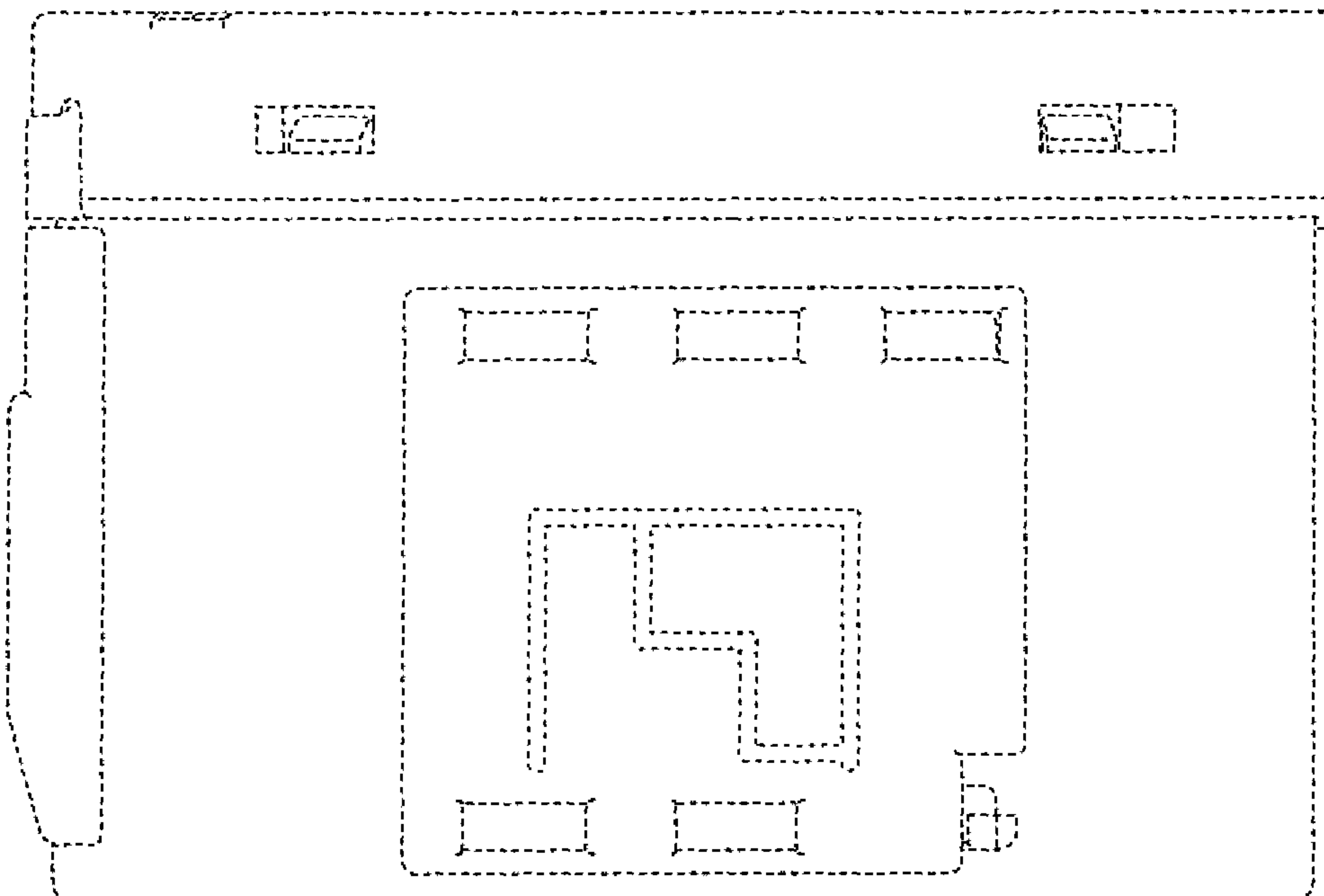


Fig. 8

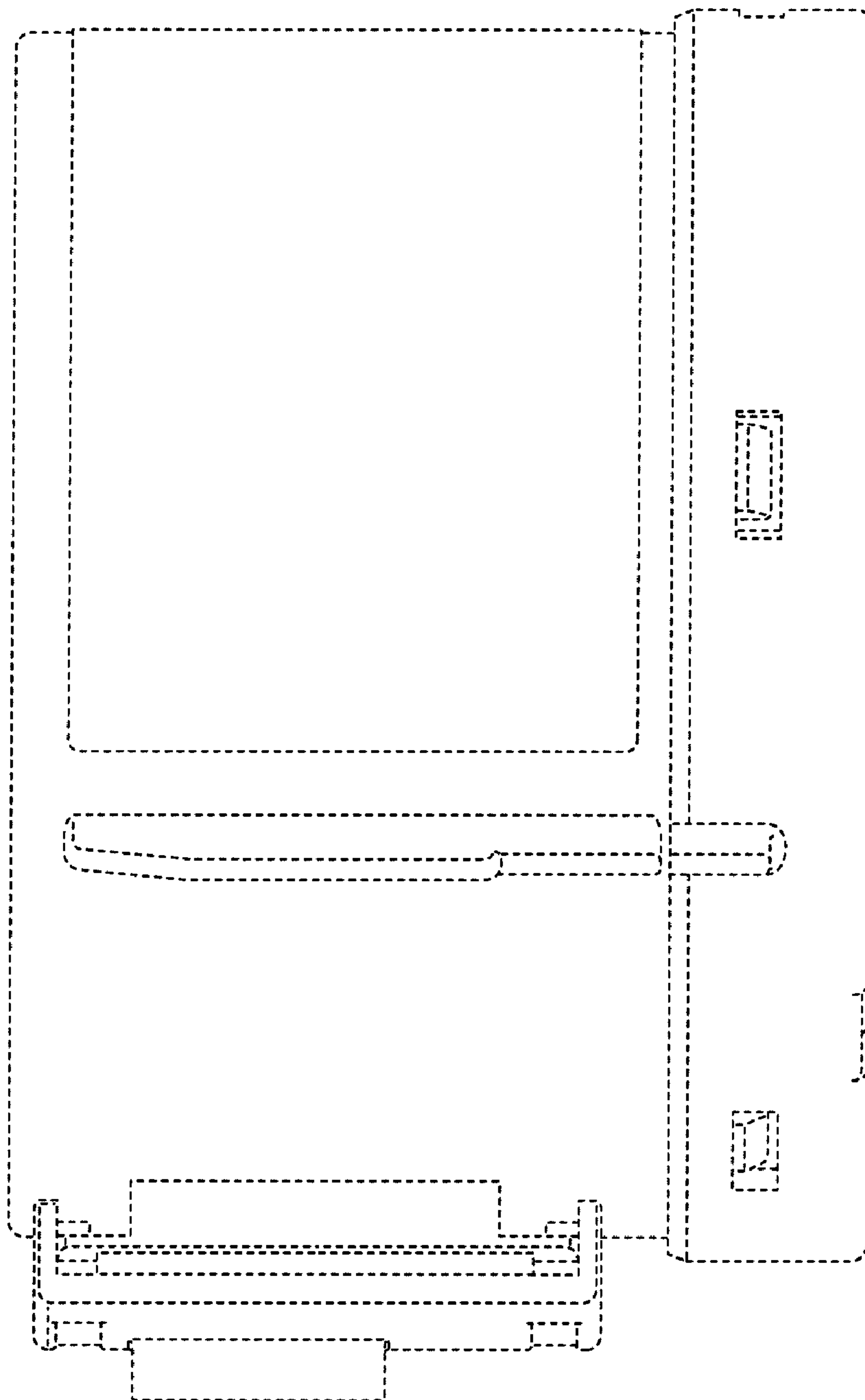




Fig. 9

