



US00D651636S

(12) **United States Design Patent**
Chang

(10) **Patent No.:** **US D651,636 S**

(45) **Date of Patent:** **** Jan. 3, 2012**

(54) **PORTABLE MINI PROJECTOR**

(75) Inventor: **Gen-Yuan Chang**, New Taipei (TW)

(73) Assignee: **Cheng Uei Precision Industry Co., Ltd.**, New Taipei (TW)

(**) Term: **14 Years**

(21) Appl. No.: **29/393,583**

(22) Filed: **Jun. 7, 2011**

(51) **LOC (9) Cl.** **16-02**

(52) **U.S. Cl.** **D16/230**

(58) **Field of Classification Search** D16/205,
D16/208, 218, 221, 225, 230-231, 234; D21/514;
D13/184; D14/496, 341; 352/34, 252; 353/39,
353/115, 119, 122

See application file for complete search history.

(56) **References Cited**

U.S. PATENT DOCUMENTS

D245,701 S * 9/1977 Kinsinger D16/221
7,059,732 B2 * 6/2006 Oross et al. 353/119
D560,686 S * 1/2008 Kim D14/496
D602,969 S * 10/2009 Collet et al. D16/221

D632,326 S * 2/2011 Hou D16/230
D638,872 S * 5/2011 Kao D16/230
D645,072 S * 9/2011 Luo D16/230

* cited by examiner

Primary Examiner — Wan Laymon

(74) *Attorney, Agent, or Firm* — WPAT, P.C.; Anthony King

(57) **CLAIM**

The ornamental design for a portable mini projector, as shown and described.

DESCRIPTION

FIG. 1 is a perspective view of a portable mini projector showing my new design;

FIG. 2 is a front elevational view thereof;

FIG. 3 is a rear elevational view thereof;

FIG. 4 is a left side elevational view thereof;

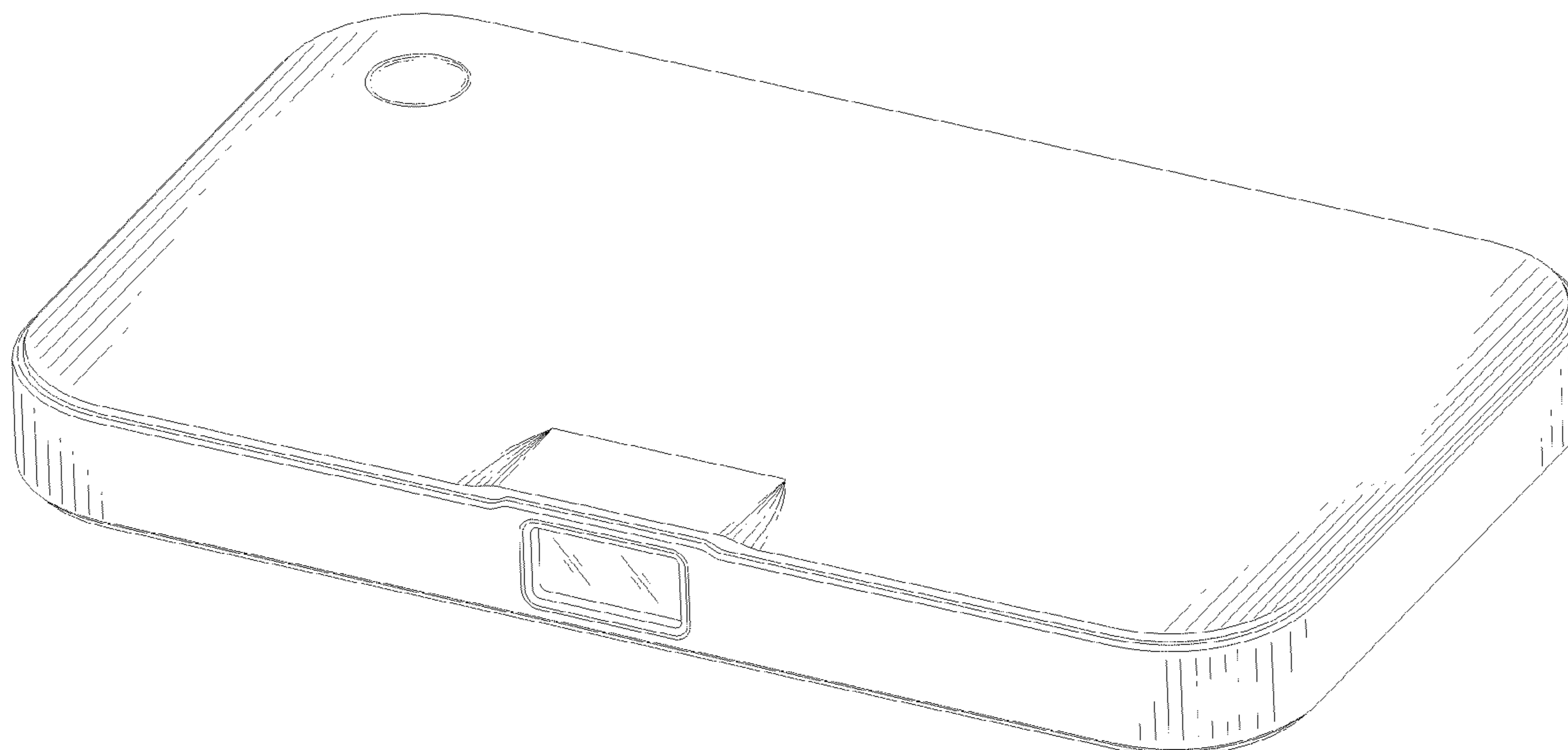
FIG. 5 is a right side elevational view thereof;

FIG. 6 is a top plan view thereof; and,

FIG. 7 is a bottom plan view thereof.

The broken line portion of the figure drawings is included to show unclaimed subject matter only and forms no part of the claimed design.

1 Claim, 7 Drawing Sheets



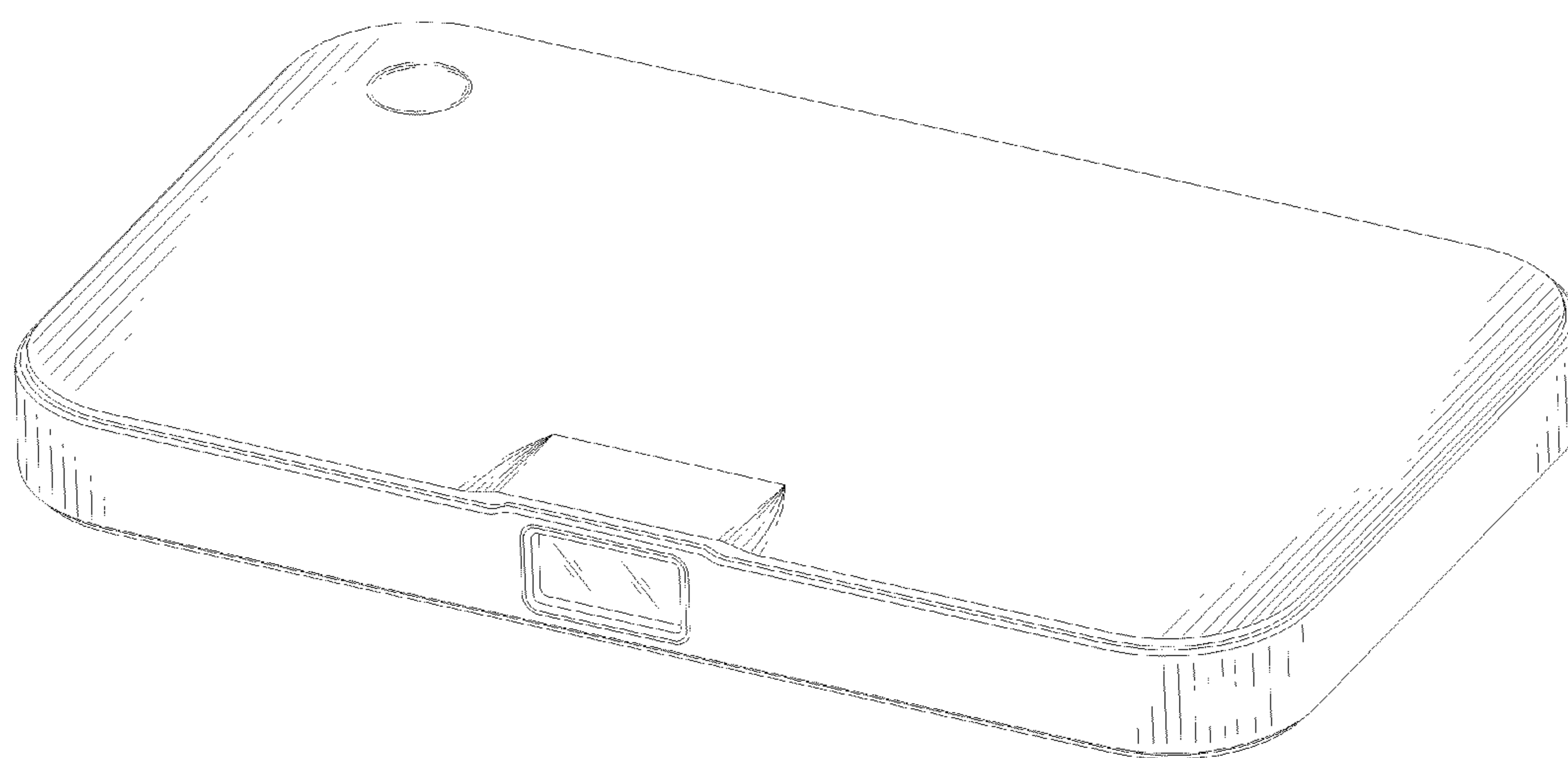


FIG. 1

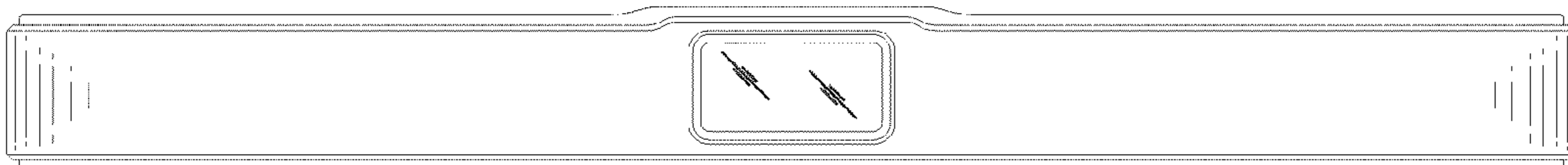


FIG. 2

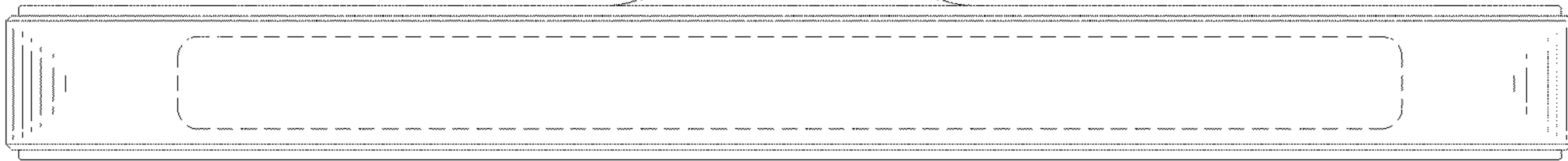


FIG. 3

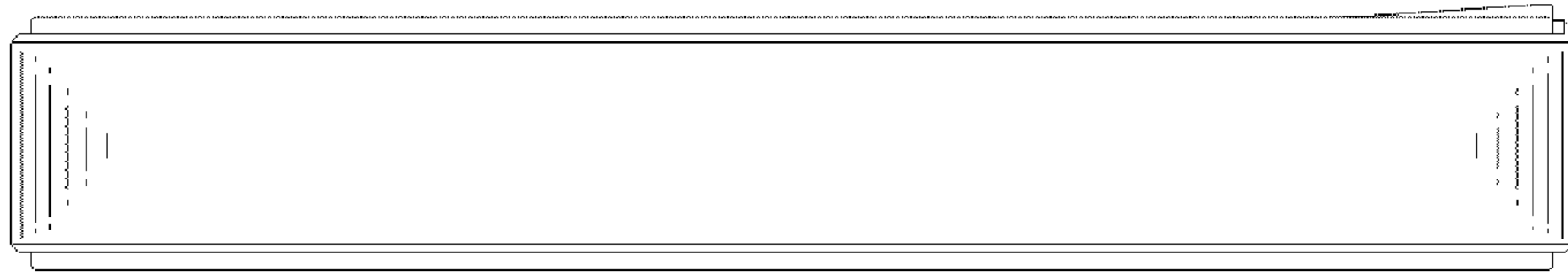


FIG. 4

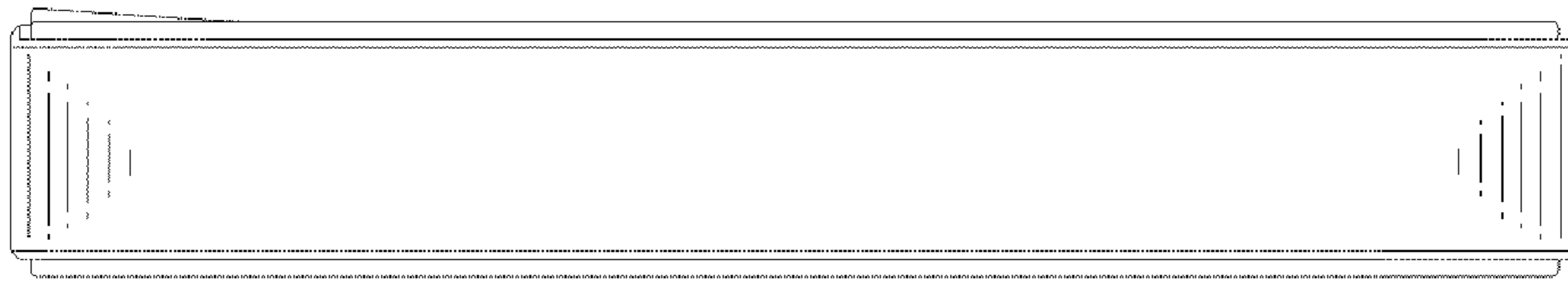


FIG. 5



FIG. 6

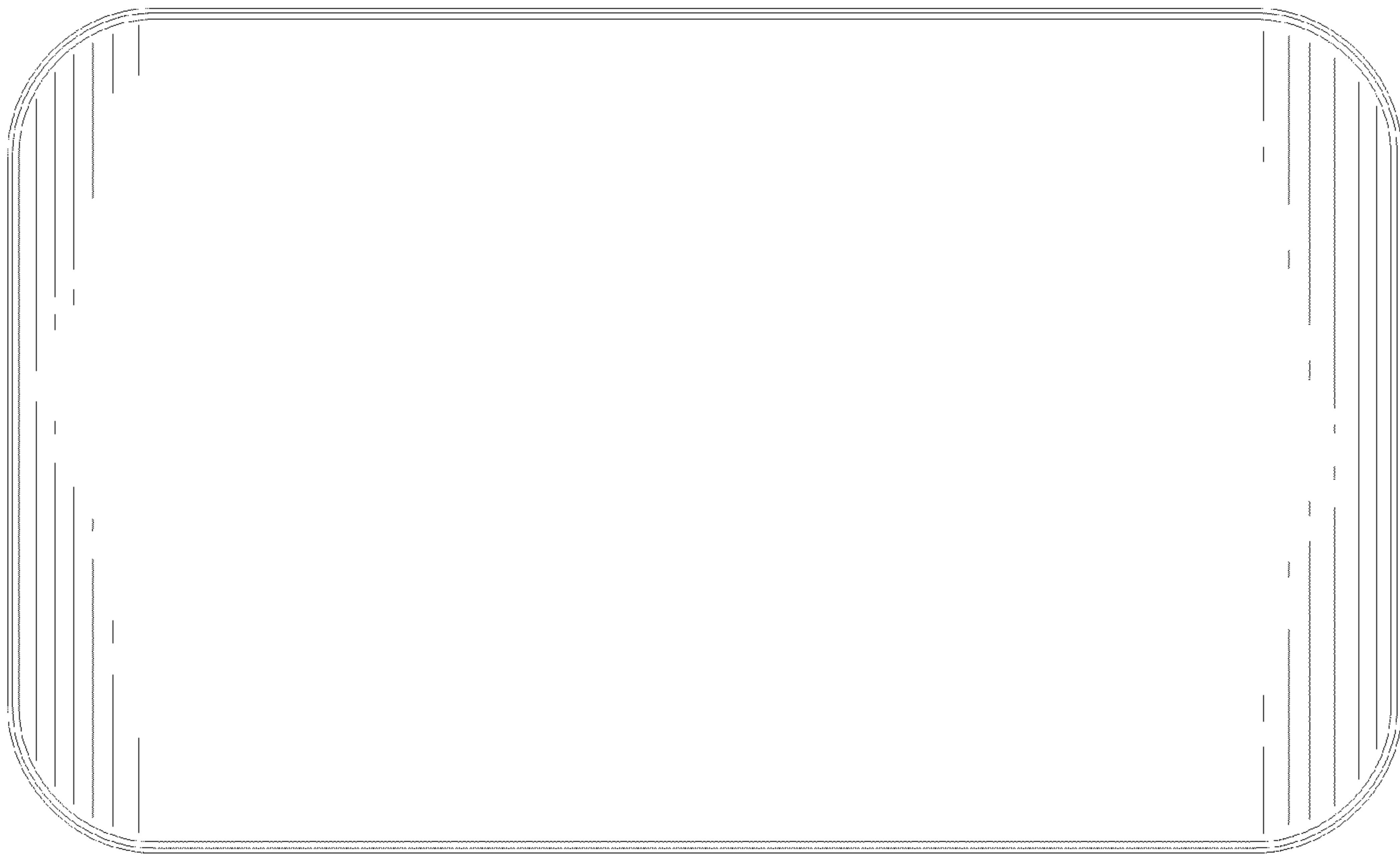


FIG. 7