



US00D651635S

(12) **United States Design Patent**
Hong

(10) **Patent No.:** **US D651,635 S**
(45) **Date of Patent:** **** Jan. 3, 2012**

(54) **COLLAPSABLE DOCUMENT CAMERA
DEVICE**

(75) Inventor: **Royce Yu-Chun Hong**, Taipei (TW)

(73) Assignee: **IPEVO Corp.**, Taipei (TW)

(**) Term: **14 Years**

(21) Appl. No.: **29/384,031**

(22) Filed: **Jan. 26, 2011**

(51) **LOC (9) Cl.** **16-01**

(52) **U.S. Cl.** **D16/208; D14/423; D16/232**

(58) **Field of Classification Search** **D14/423;**
D16/200, 208, 221, 225, 232; 348/373, 376;
396/430, 431

See application file for complete search history.

(56) **References Cited**

U.S. PATENT DOCUMENTS

D367,073 S *	2/1996	Kuo et al.	D16/232
D397,709 S *	9/1998	Park et al.	D16/232
D425,098 S *	5/2000	Oh	D16/232
D426,239 S *	6/2000	Adachi	D14/420

D482,382 S *	11/2003	Kurokawa	D16/232
7,245,441 B2 *	7/2007	Wu et al.	396/430
D602,063 S *	10/2009	Su	D16/208
D612,851 S *	3/2010	Maruyama et al.	D14/423
D642,608 S *	8/2011	Kato	D16/232

* cited by examiner

Primary Examiner — Adir Aronovich

(74) *Attorney, Agent, or Firm* — Bacon & Thomas, PLLC

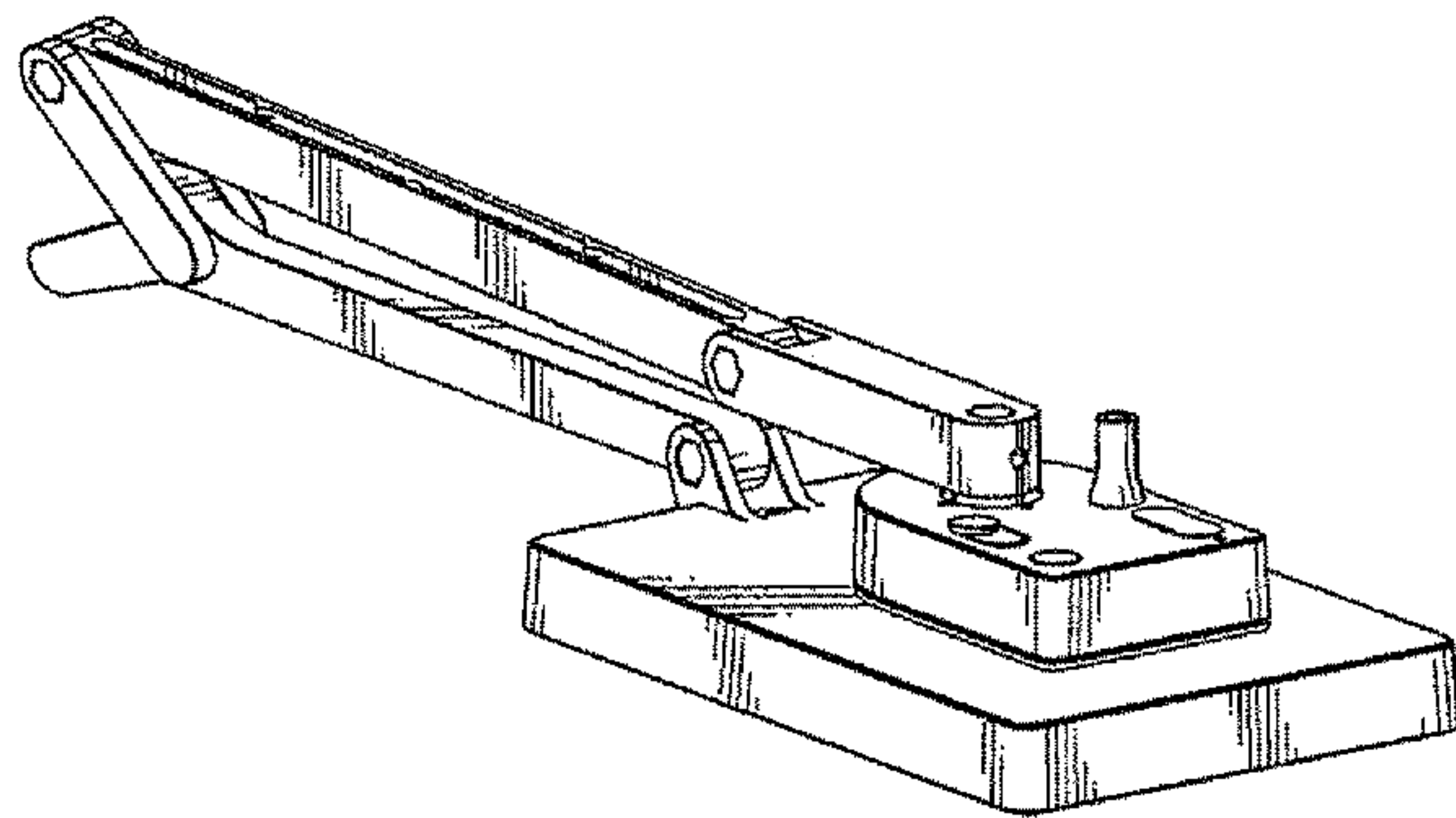
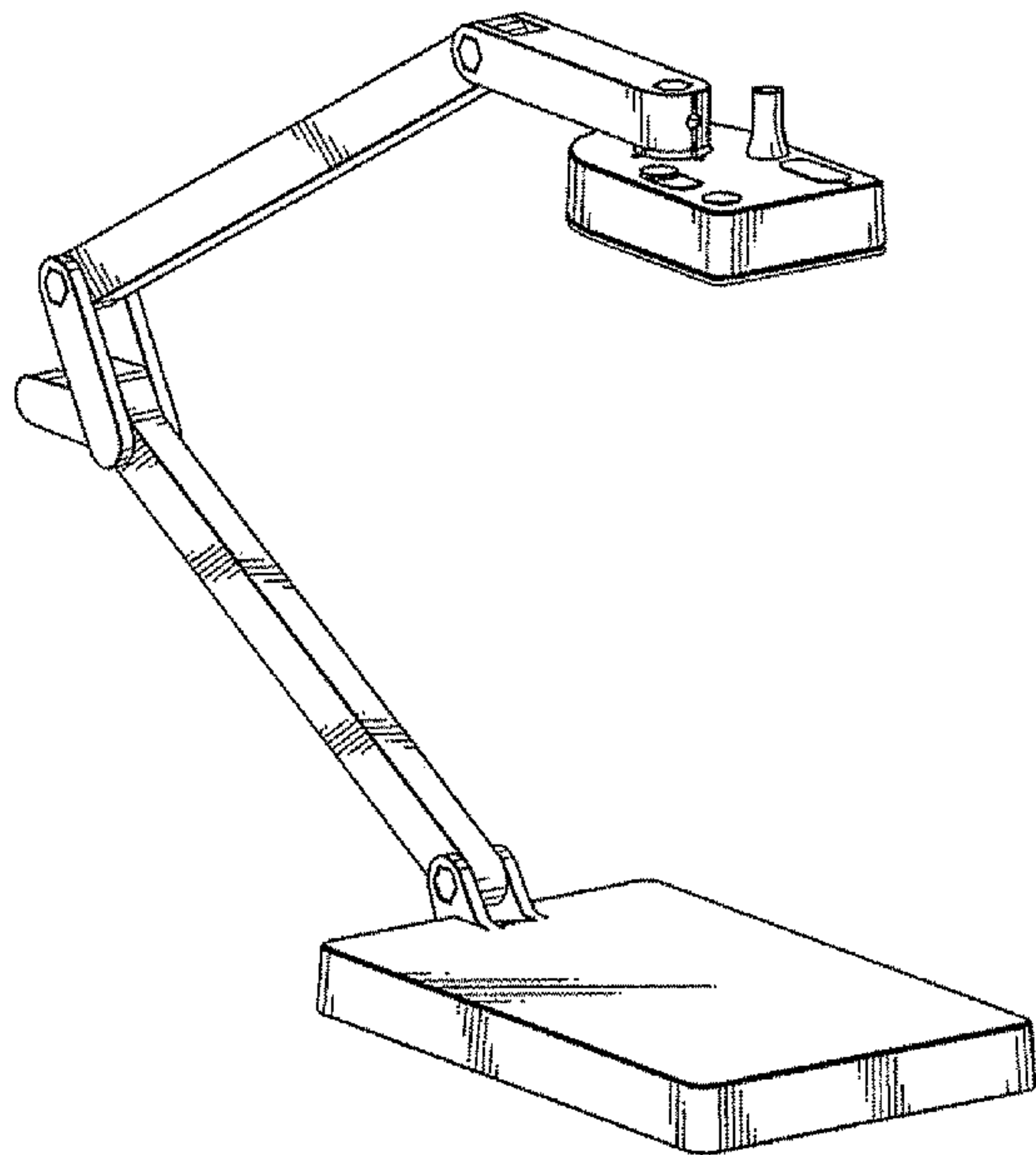
(57) **CLAIM**

The ornamental design for a collapsible document camera device, as shown and described.

DESCRIPTION

FIG. 1 is a perspective view of a collapsible document camera device in accordance with my design;
FIG. 2 is a front elevational view thereof;
FIG. 3 is a rear elevational view thereof;
FIG. 4 is a left side elevational view thereof;
FIG. 5 is a right side elevational view thereof;
FIG. 6 is top plan view thereof;
FIG. 7 is bottom plan view thereof; and,
FIG. 8 is a front perspective view in a folding state.

1 Claim, 6 Drawing Sheets



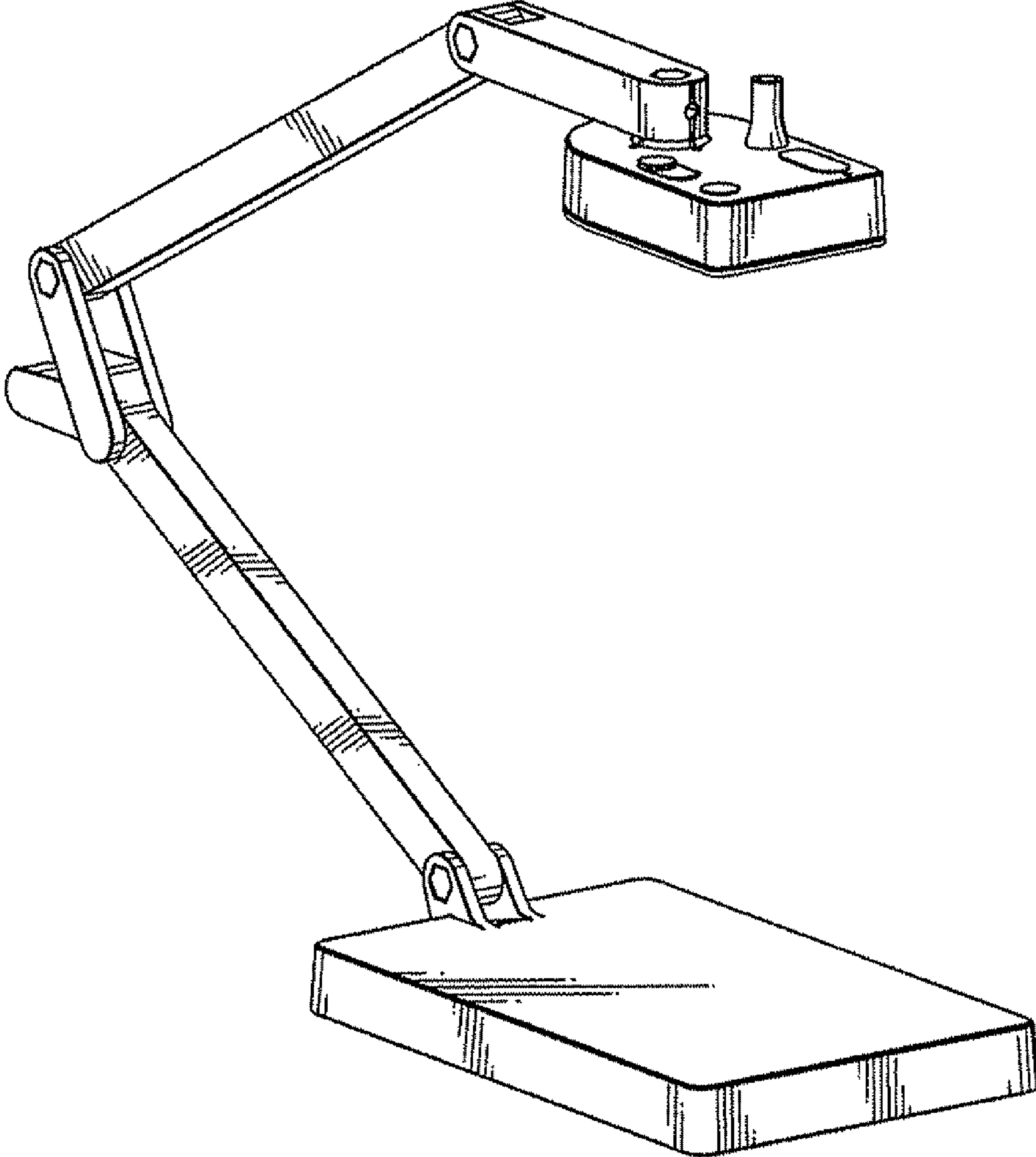


FIG. 1

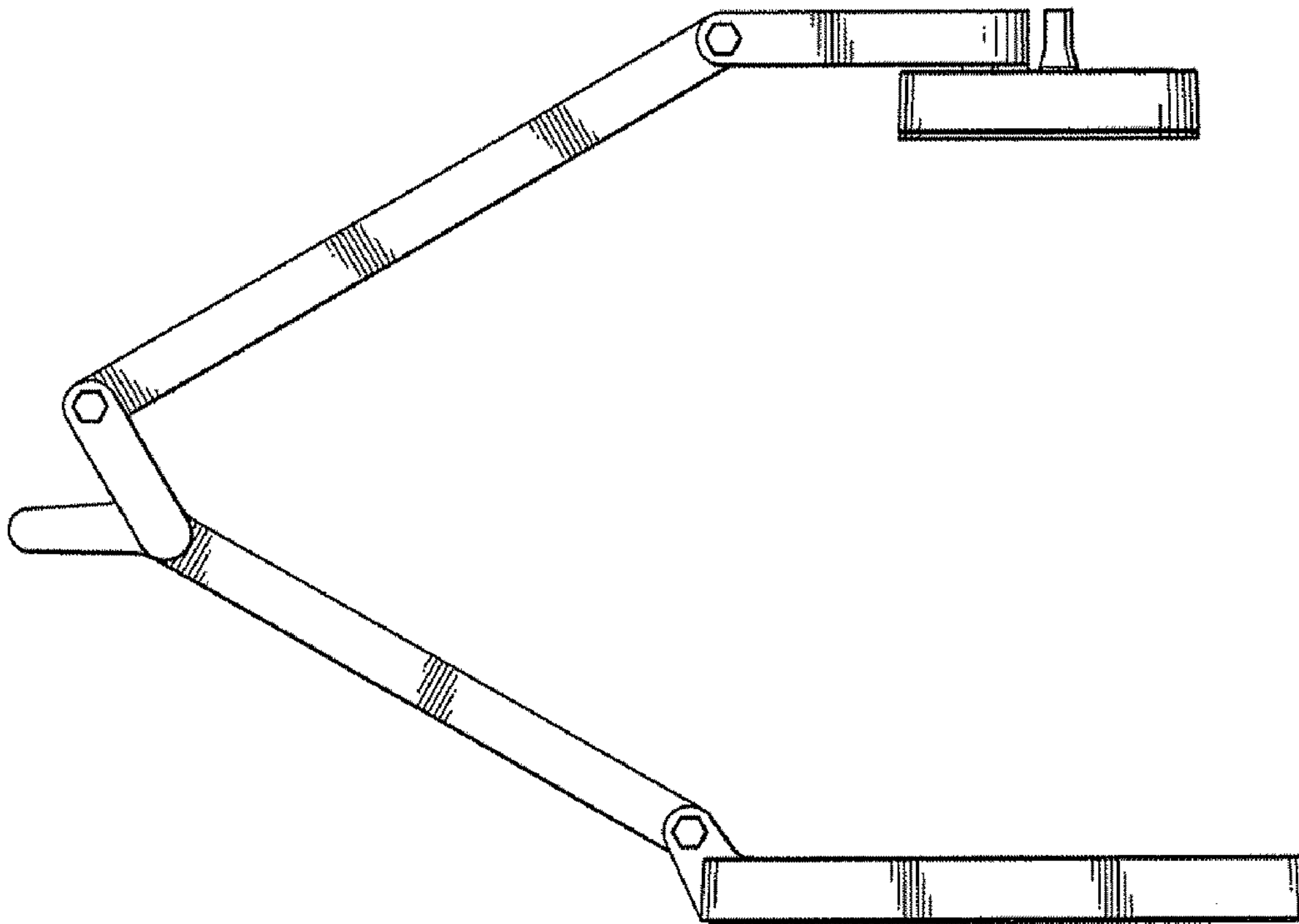


FIG. 2

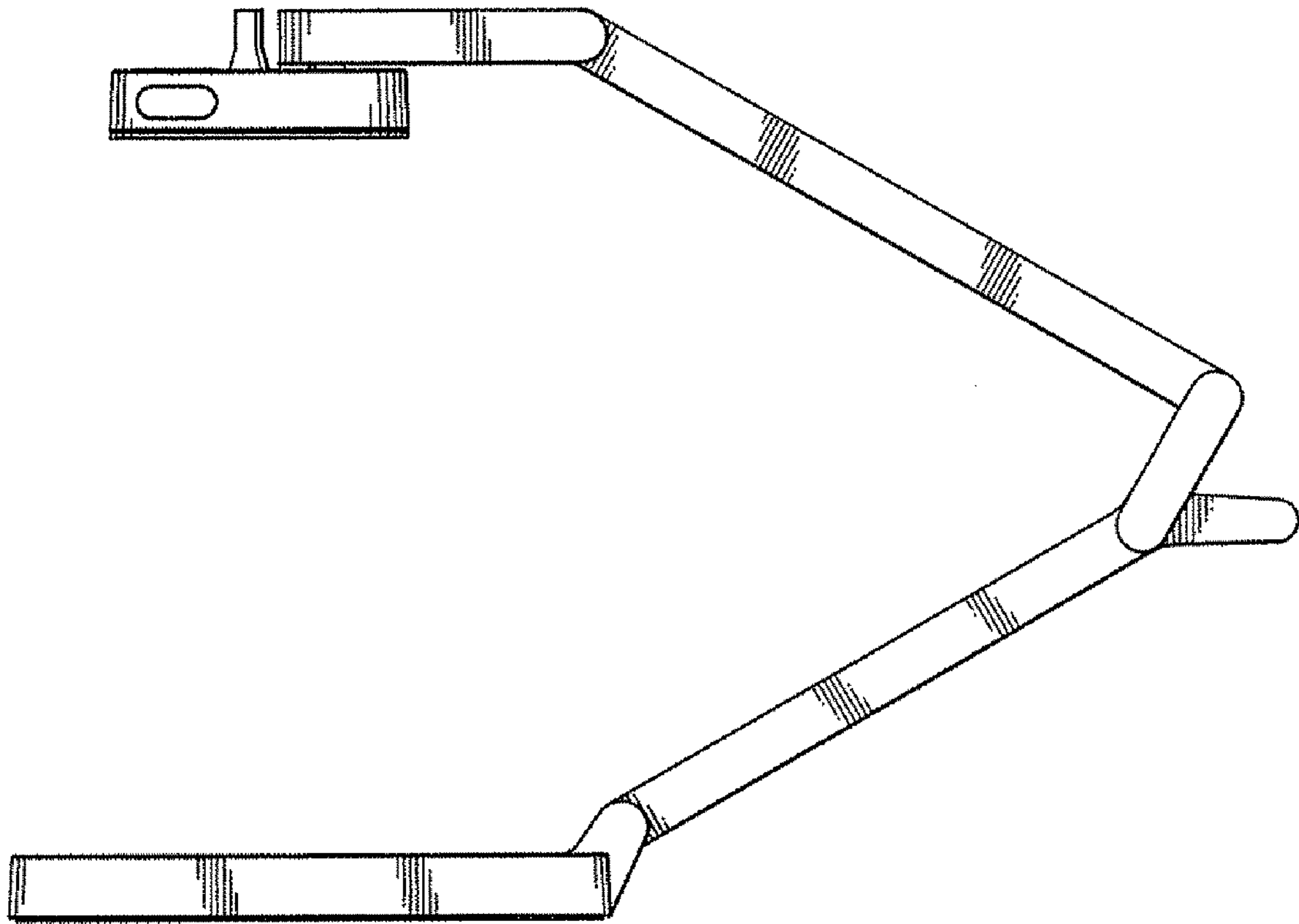


FIG. 3

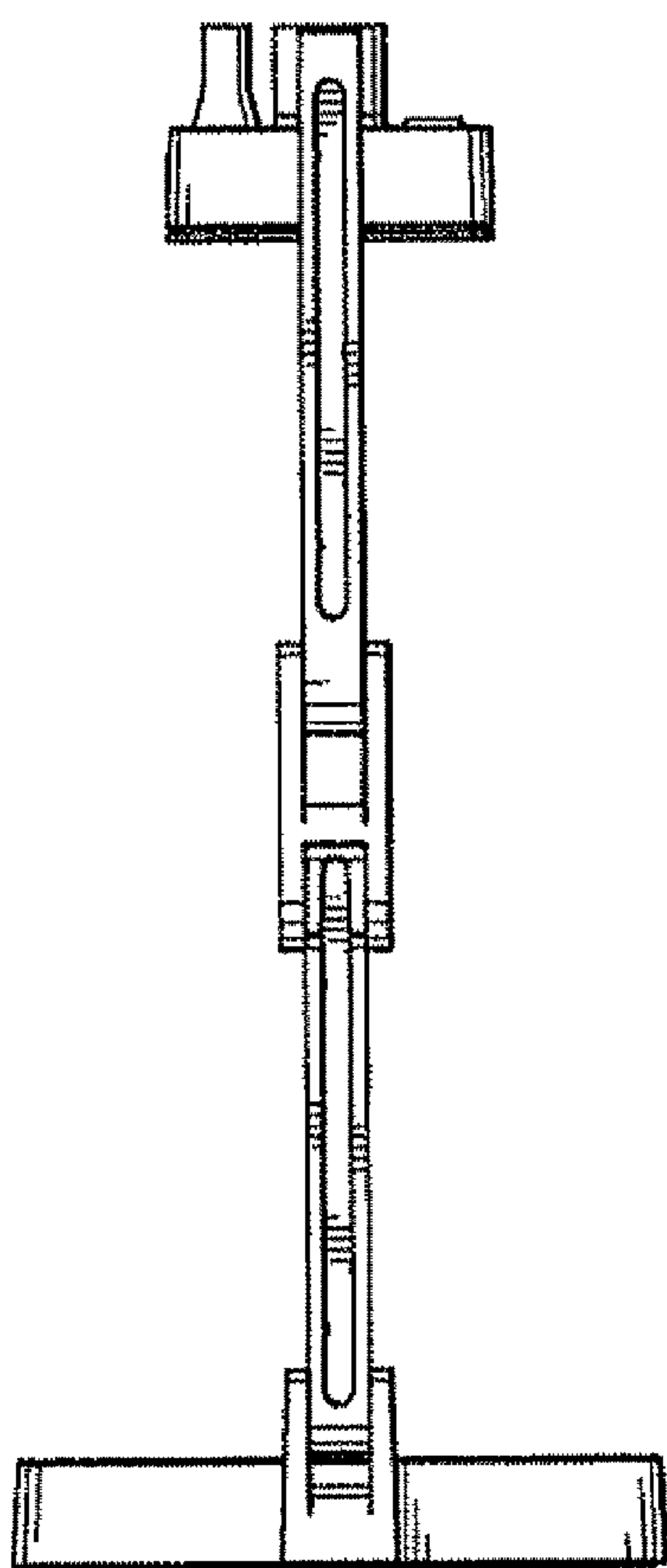


FIG. 4

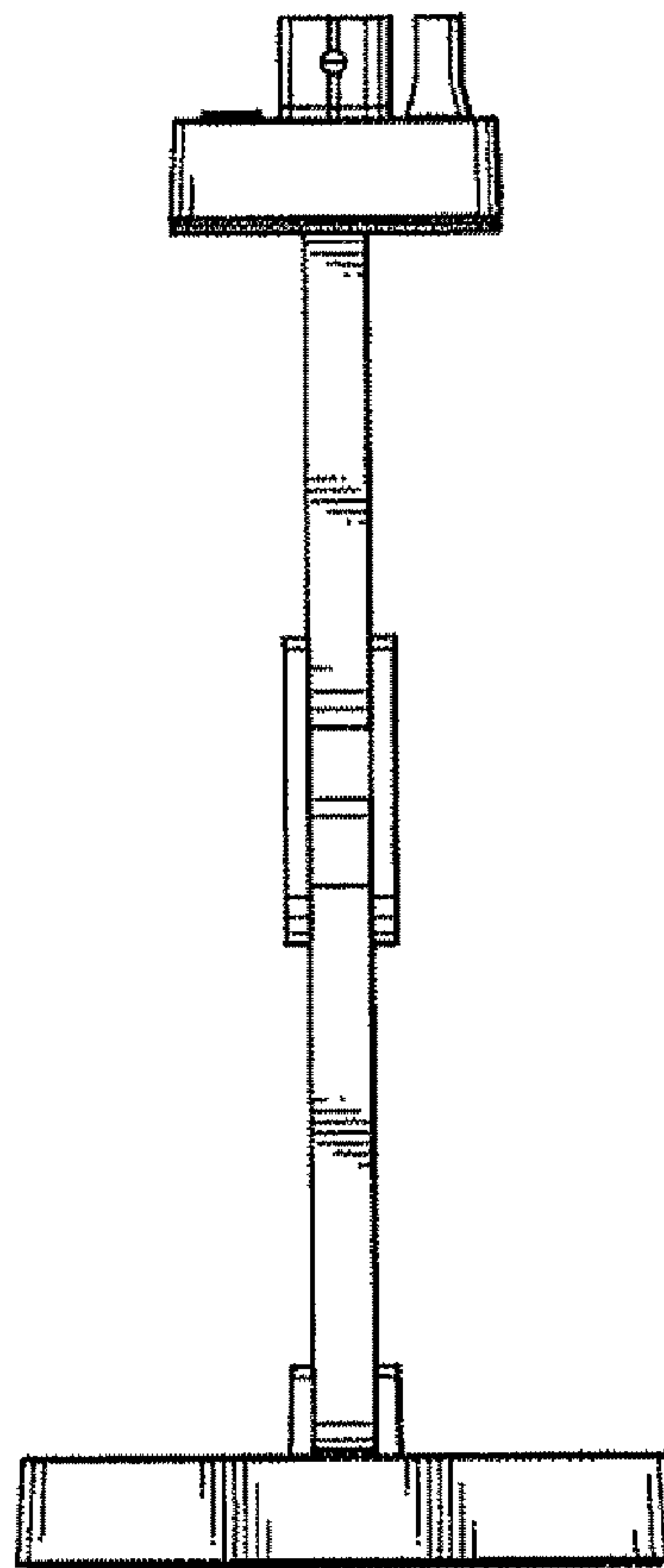


FIG. 5

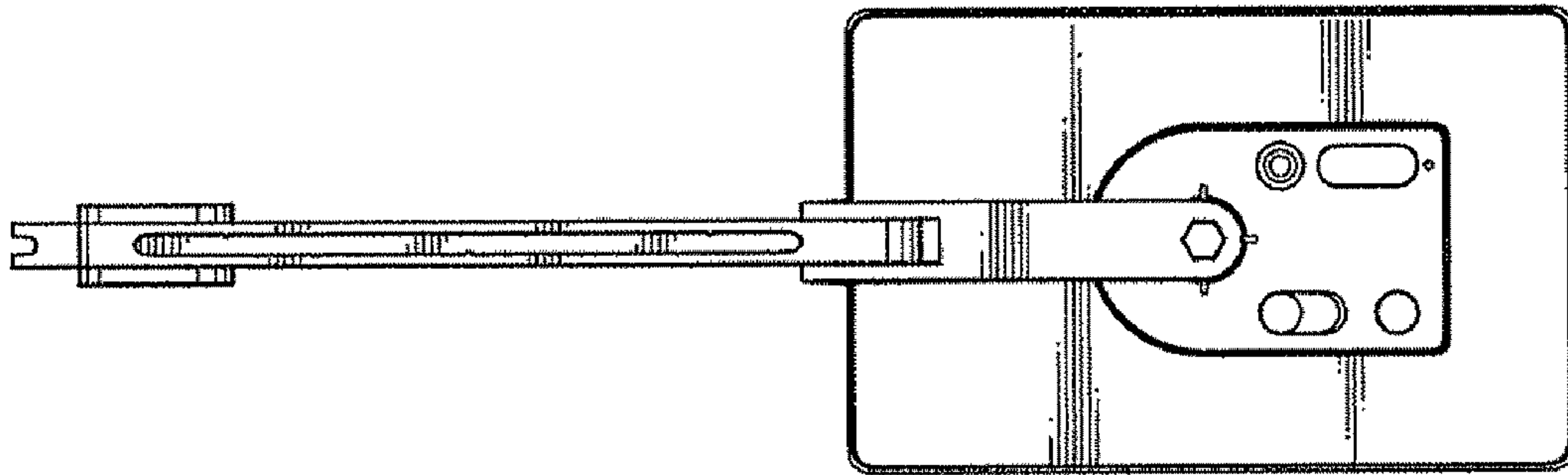


FIG. 6

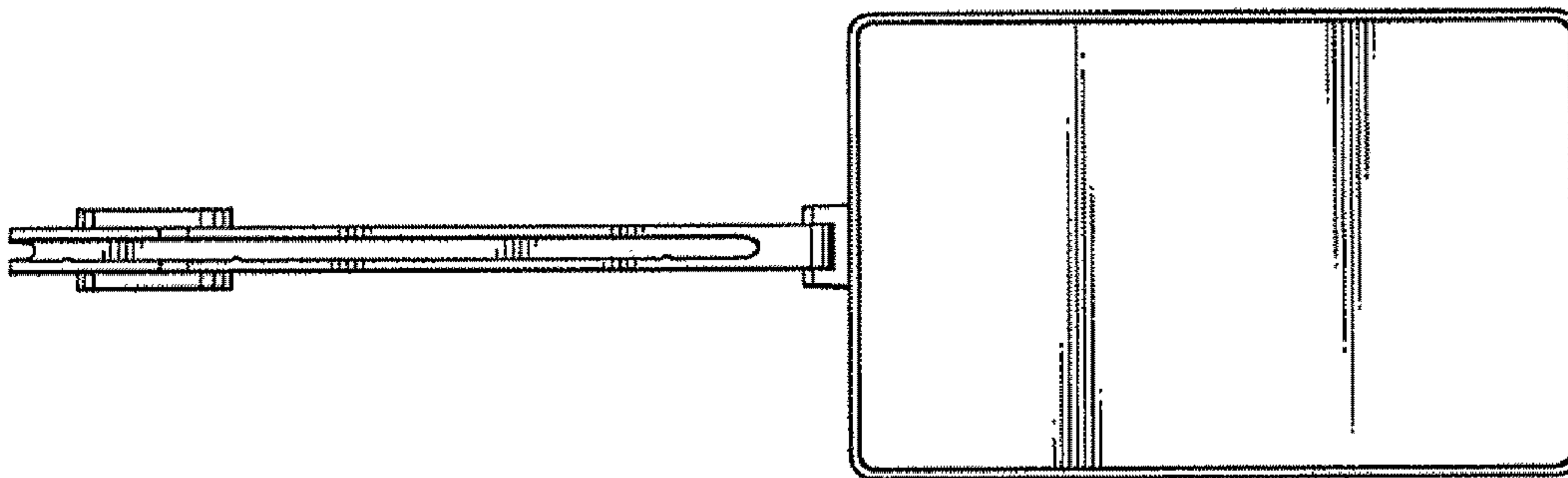


FIG. 7

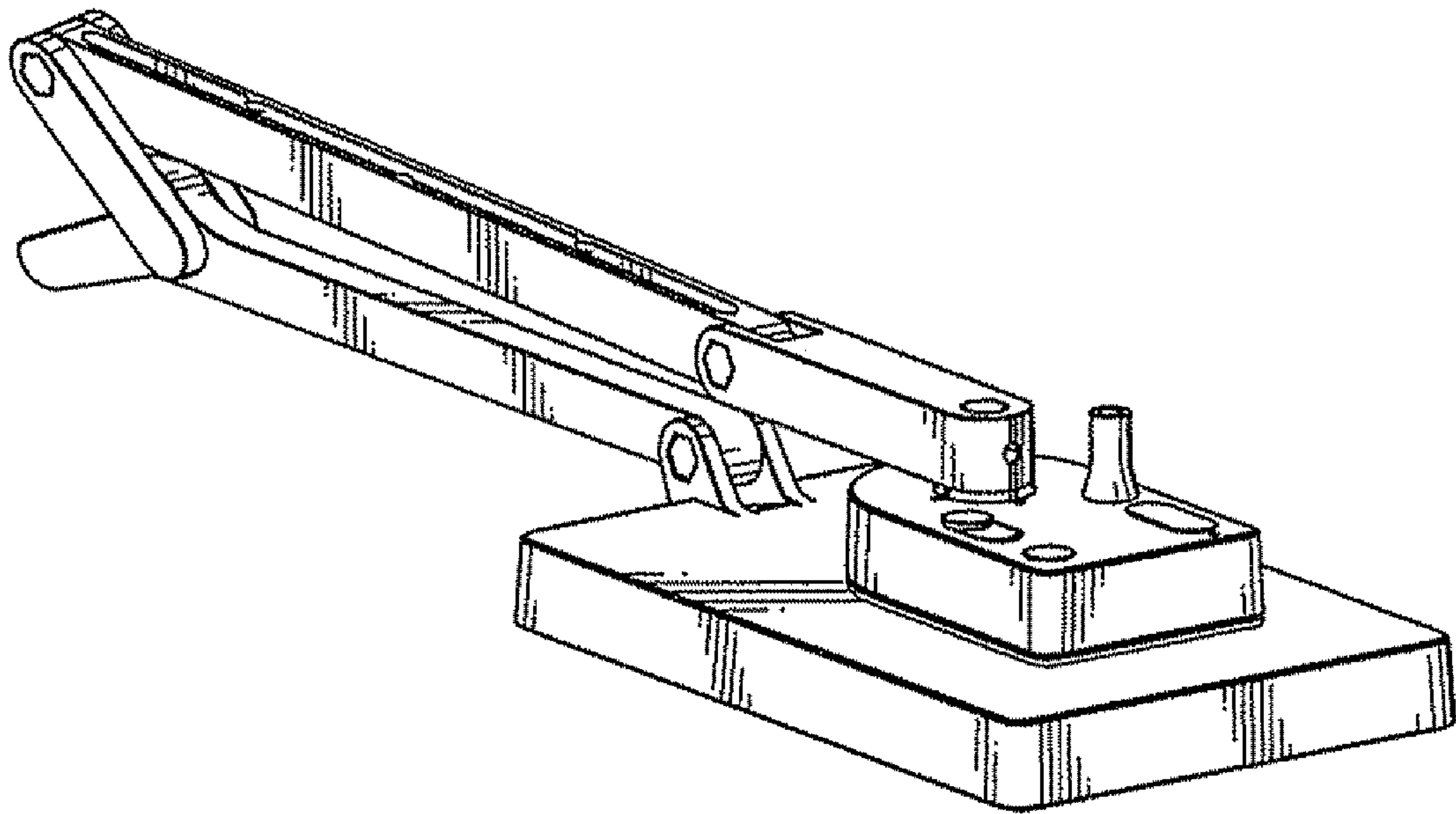


FIG. 8