



US00D651634S

(12) **United States Design Patent**
Lee

(10) **Patent No.:** **US D651,634 S**
(45) **Date of Patent:** **** Jan. 3, 2012**

(54) **CAMCORDER**
(75) Inventor: **Joo-Hyung Lee**, Seoul (KR)
(73) Assignee: **Samsung Electronics Co., Ltd.**, Suwon (KR)
(**) Term: **14 Years**
(21) Appl. No.: **29/390,444**
(22) Filed: **Apr. 25, 2011**
(30) **Foreign Application Priority Data**

Dec. 30, 2010 (KR) 3020100056836

(51) **LOC (9) Cl.** **16-01**
(52) **U.S. Cl.** **D16/203**
(58) **Field of Classification Search** D16/200,
D16/202, 203, 204, 208, 218; 348/373-376;
358/909.1; 396/535-541
See application file for complete search history.

(56) **References Cited**

U.S. PATENT DOCUMENTS

4,394,692 A * 7/1983 Randmae et al. 348/374
D356,354 S 3/1995 Killion
D356,806 S 3/1995 Kim
D366,886 S 2/1996 Choi
D368,729 S 4/1996 Choi
D372,925 S 8/1996 Choi
D378,296 S 3/1997 Choi
D383,767 S 9/1997 Sung et al.
D386,506 S 11/1997 Choi et al.
D390,243 S 2/1998 Choi
6,304,289 B1 10/2001 Sakai et al.
D481,406 S 10/2003 Alessio
D484,901 S 1/2004 Lim
6,683,654 B1 * 1/2004 Haijima 348/374
6,728,480 B1 * 4/2004 Maeda et al. 348/373
D520,044 S 5/2006 Chung et al.
D520,545 S 5/2006 Chung et al.

D520,546 S 5/2006 Kim
D521,041 S 5/2006 Chung et al.
D522,035 S * 5/2006 Muto D16/203
D526,674 S 8/2006 Byun et al.
D528,142 S 9/2006 Byun et al.
D528,576 S 9/2006 Chung et al.
D528,577 S 9/2006 Byun et al.
D529,063 S * 9/2006 Cheng D16/203
D533,206 S 12/2006 Kim
D540,360 S * 4/2007 Yamakawa D16/203
7,221,402 B2 * 5/2007 Cheng 348/375
D552,142 S 10/2007 Chung
D552,648 S 10/2007 Chung
D554,676 S 11/2007 Kim
D554,678 S 11/2007 Kim
D556,801 S 12/2007 Kim
D558,247 S 12/2007 Kim

(Continued)

FOREIGN PATENT DOCUMENTS

KR 3002187570000 4/1998

(Continued)

Primary Examiner — Adir Aronovich
(74) *Attorney, Agent, or Firm* — Wood, Herron & Evans, LLP

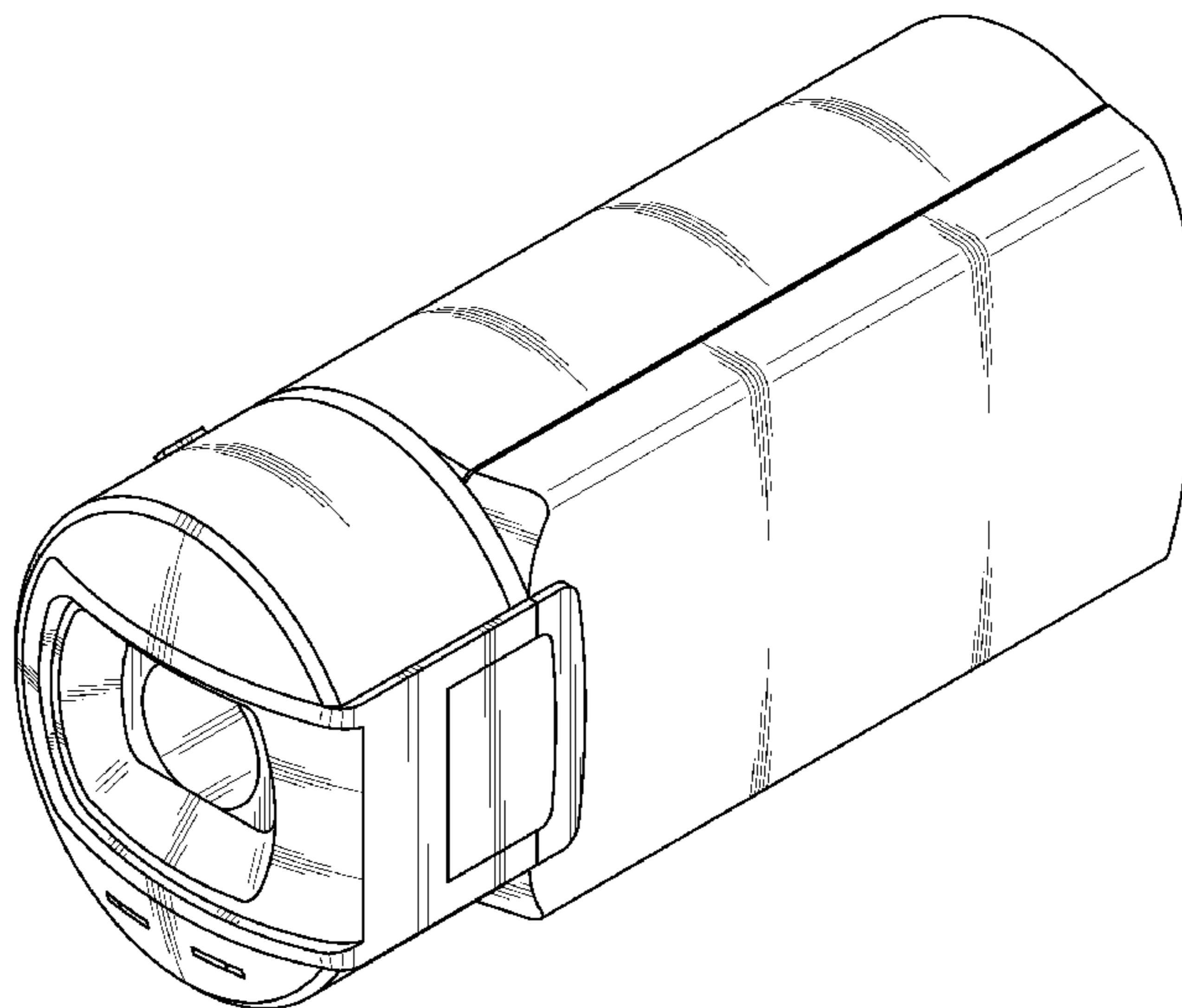
(57) **CLAIM**

The ornamental design for a camcorder, as shown and described.

DESCRIPTION

FIG. 1 is a top front perspective view of a camcorder showing my new design;
FIG. 2 is a front elevational view thereof;
FIG. 3 is a rear elevational view thereof;
FIG. 4 is a left side elevational view thereof;
FIG. 5 is a right side elevational view thereof;
FIG. 6 is a top plan view thereof; and,
FIG. 7 is a bottom plan view thereof.

1 Claim, 5 Drawing Sheets



US D651,634 S

Page 2

U.S. PATENT DOCUMENTS

D559,290 S 1/2008 Chung
D560,241 S 1/2008 Chung
D560,242 S 1/2008 Chung
D560,243 S 1/2008 Kim
D580,469 S 11/2008 Chung et al.
D580,470 S 11/2008 Chung et al.
D584,325 S 1/2009 Chung et al.
D584,753 S 1/2009 Chung et al.
D584,754 S 1/2009 Chung et al.
D592,231 S 5/2009 Schnell
D600,731 S 9/2009 Lee et al.
D612,408 S 3/2010 Yamakawa
D613,323 S 4/2010 Jang et al.
D614,221 S 4/2010 Park
D614,222 S * 4/2010 Yamakawa D16/203
D619,155 S 7/2010 Kim et al.
7,859,592 B2 * 12/2010 Takahashi et al. 348/373

D631,077 S 1/2011 Kawase
D631,495 S 1/2011 Lee et al.
D635,173 S * 3/2011 Yamakawa D16/203
D643,454 S * 8/2011 Zaliauskas et al. D16/202
2007/0153120 A1 7/2007 Kajikawa et al.

FOREIGN PATENT DOCUMENTS

KR 3002187590000 4/1998
KR 3002187640000 4/1998
KR 3002203070000 5/1998
KR 3005553310001 6/2010
KR 3005690140000 8/2010
KR 3005813270000 12/2010
KR 3005914070000 3/2011
KR 3006015960000 6/2011
KR 3006083620000 8/2011

* cited by examiner

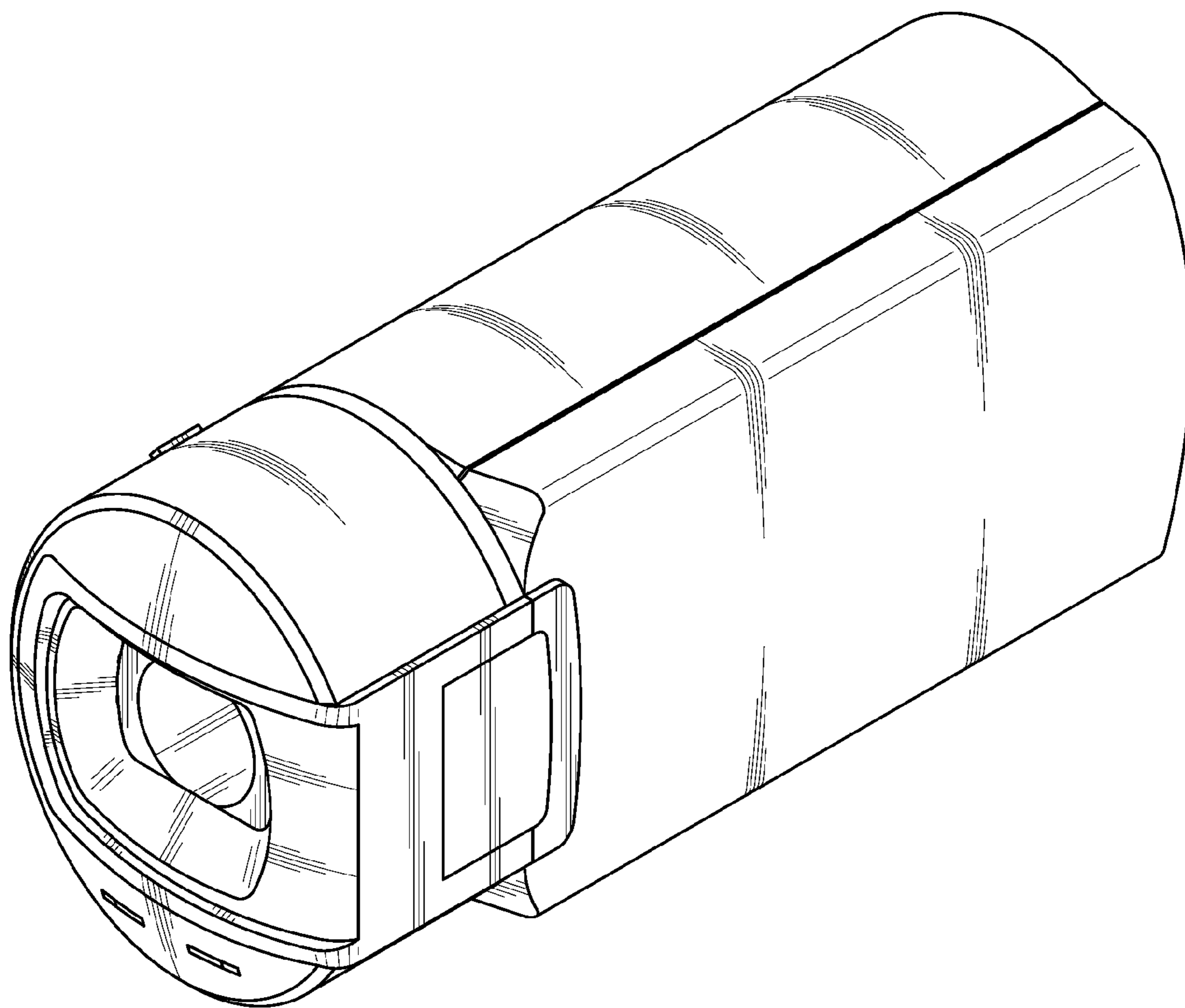


FIG.1

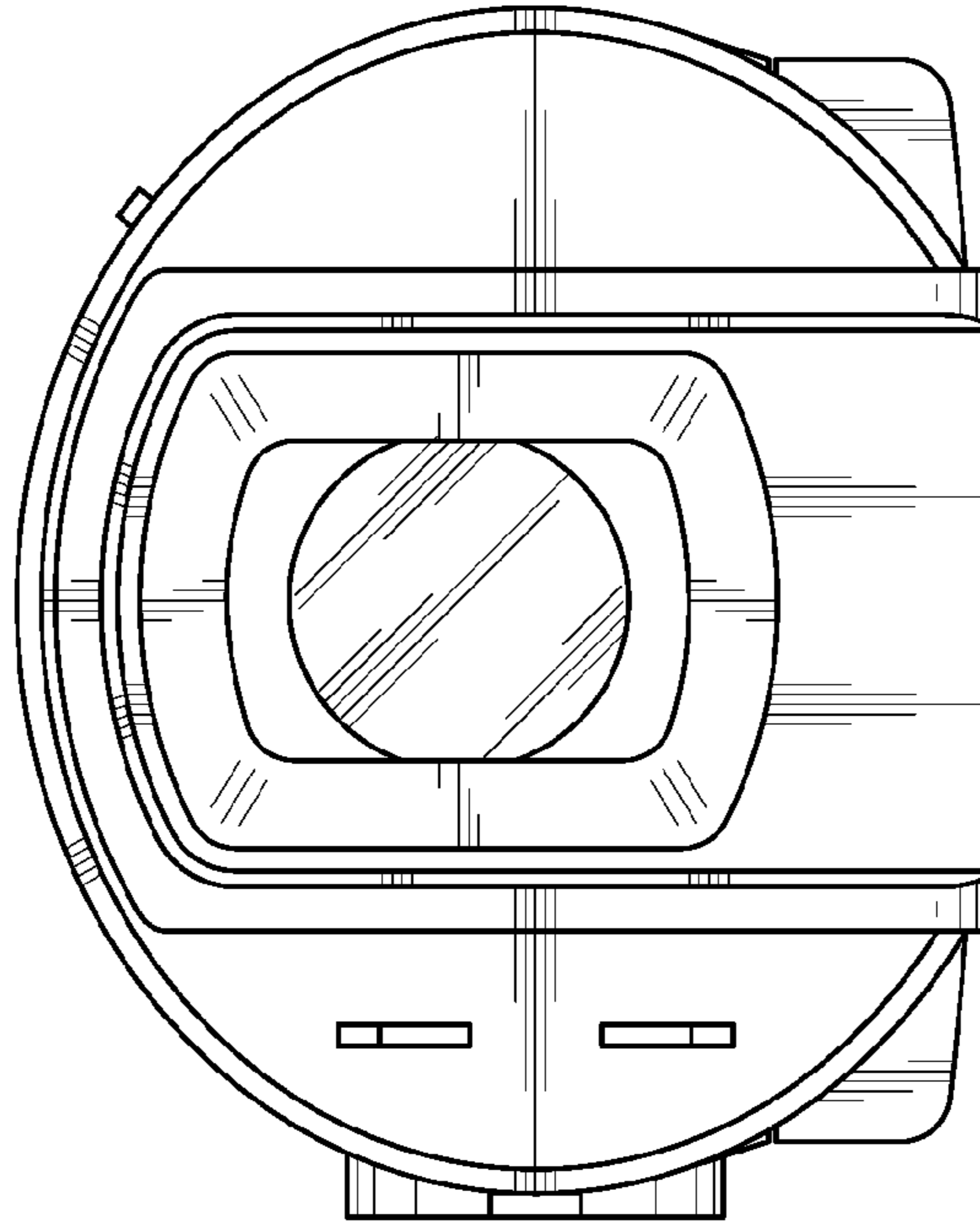


FIG. 2

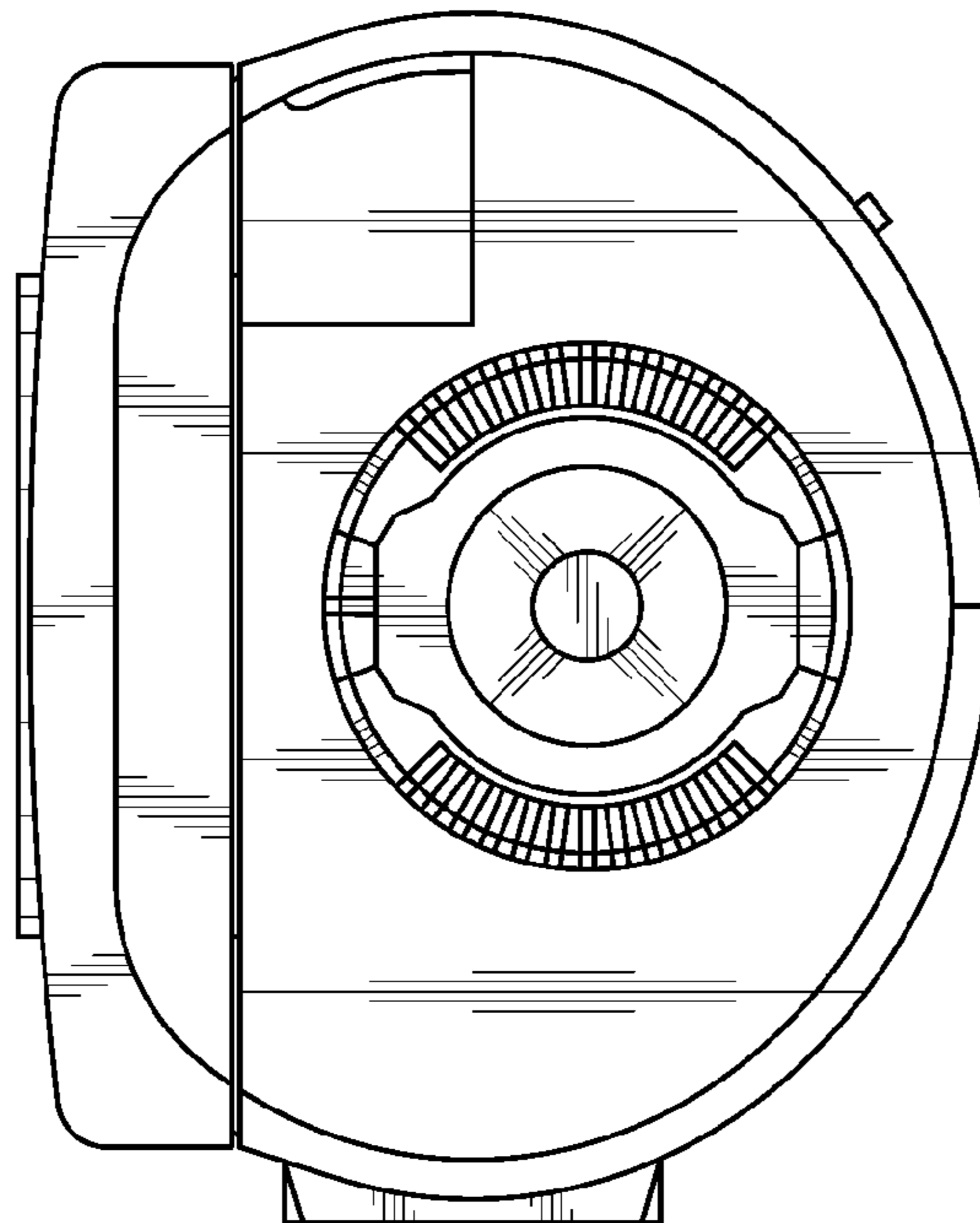


FIG. 3

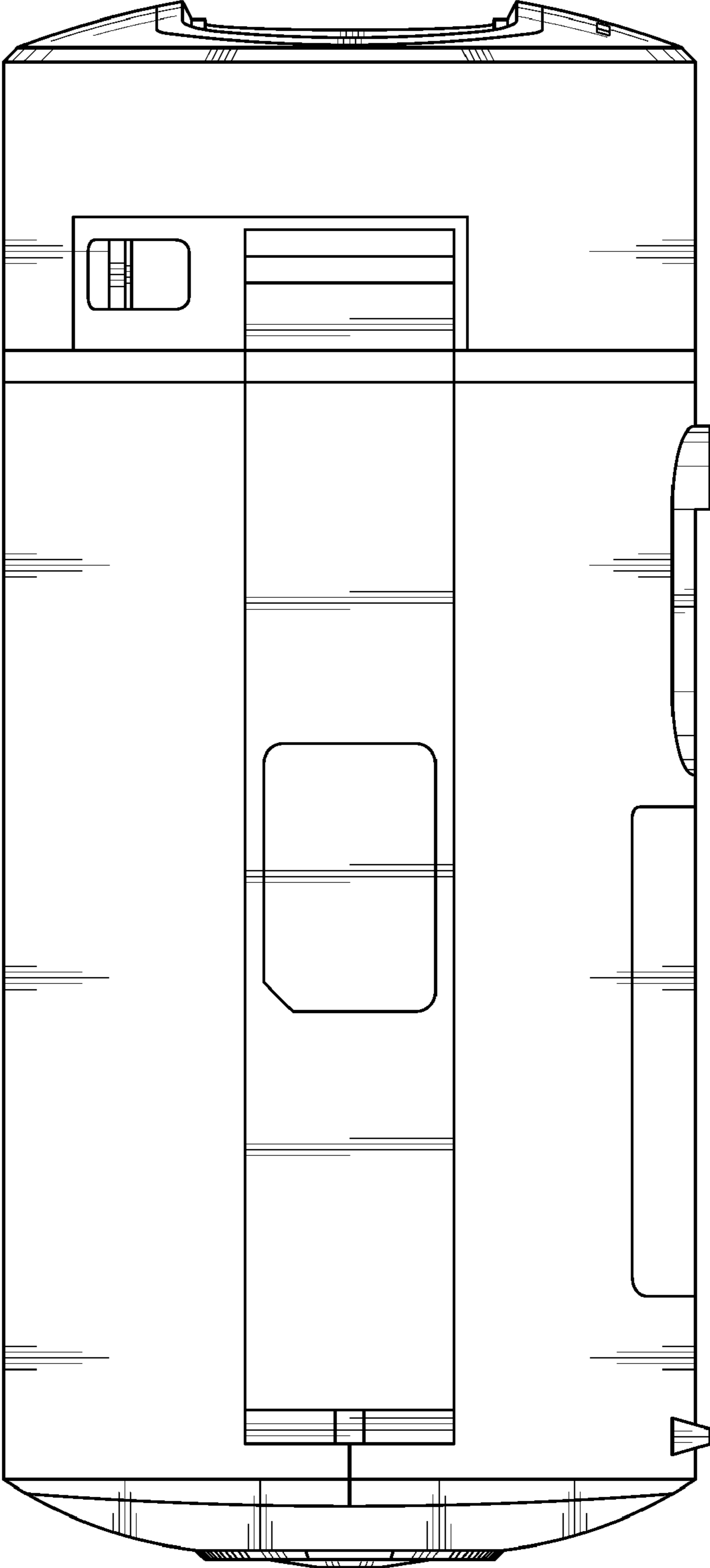


FIG.4

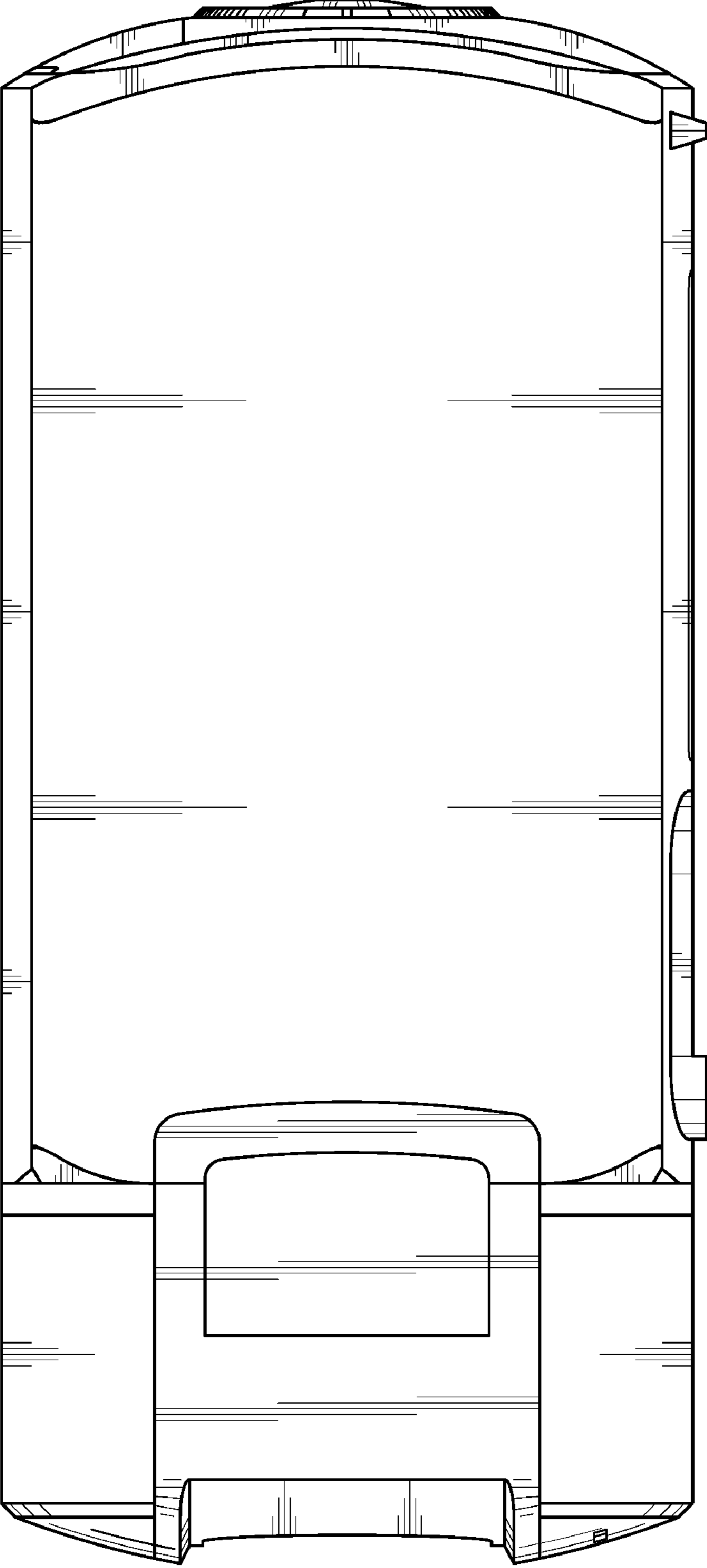


FIG.5

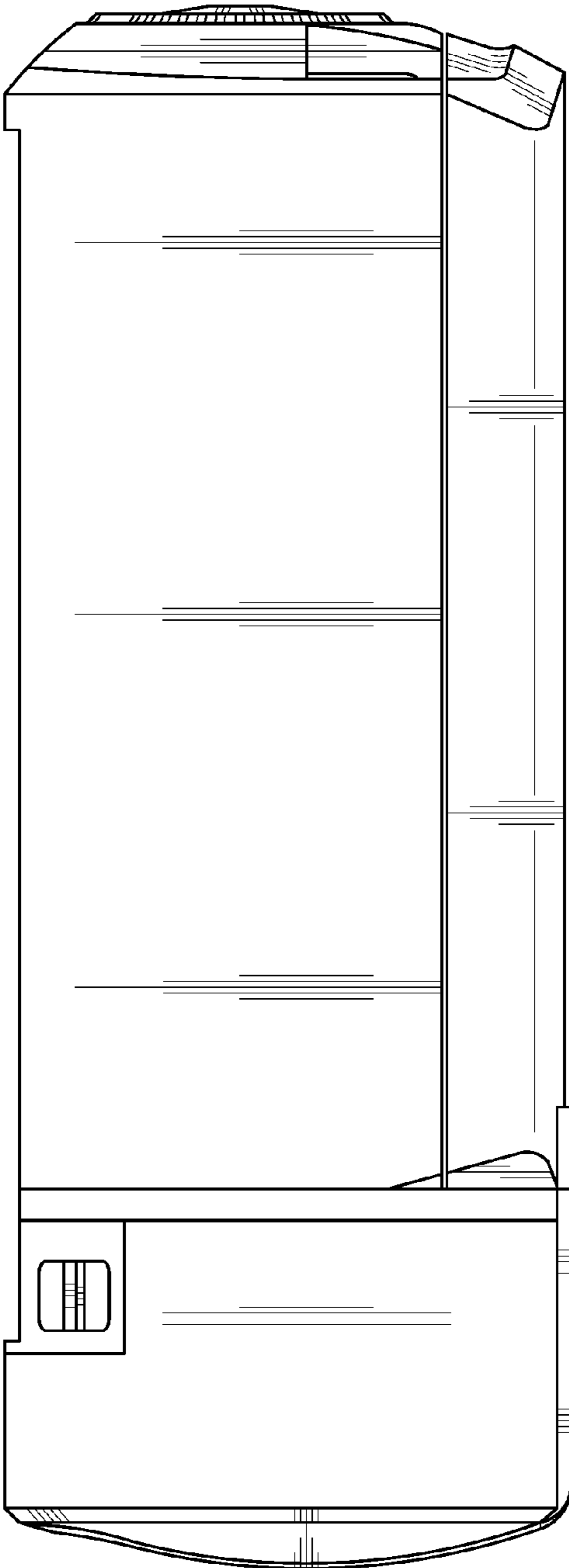


FIG. 6

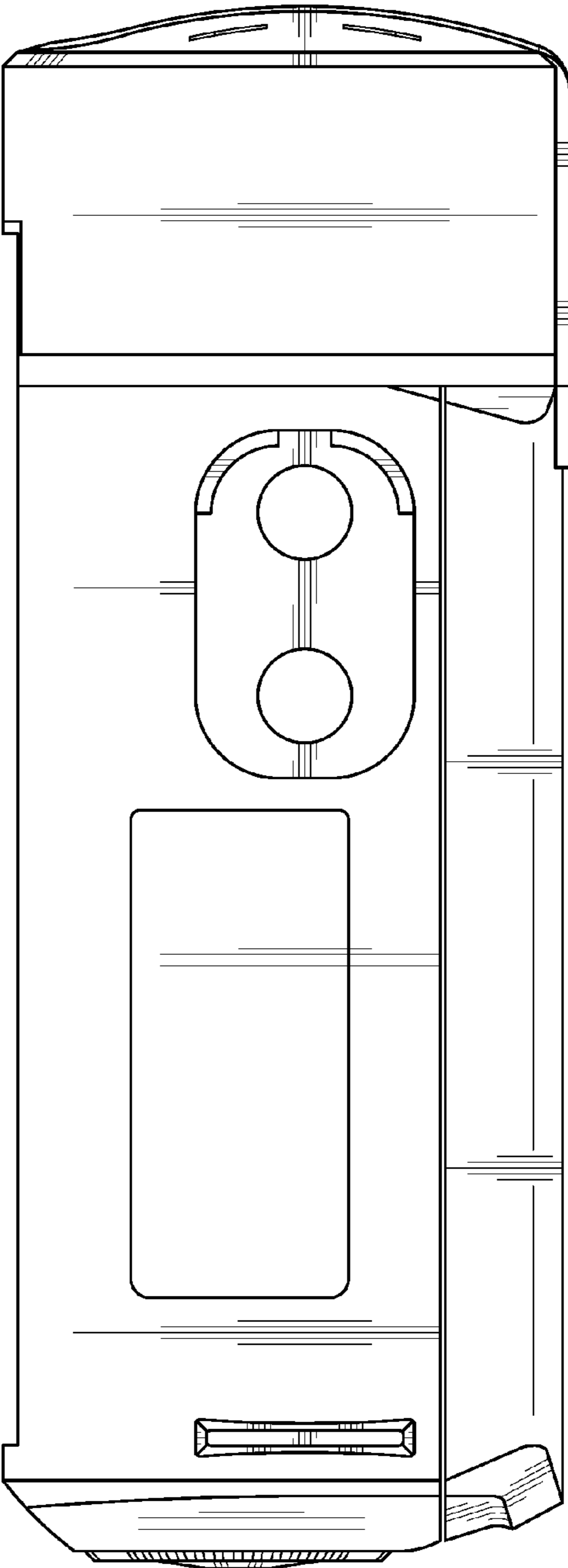


FIG. 7