



US00D651633S

(12) **United States Design Patent**
Park et al.

(10) **Patent No.:** **US D651,633 S**
(45) **Date of Patent:** **** Jan. 3, 2012**

(54) **WIRELESS MONITORING CAMERA**

(75) Inventors: **Ho-jin Park**, Changwon (KR); **Joo-bok Kim**, Changwon (KR)

(73) Assignee: **Samsung Techwin Co., Ltd.**, Changwon (KR)

(**) Term: **14 Years**

(21) Appl. No.: **29/384,656**

(22) Filed: **Feb. 2, 2011**

(30) **Foreign Application Priority Data**

Aug. 4, 2010 (KR) 30-2010-0034015

(51) **LOC (9) Cl.** **16-01**

(52) **U.S. Cl.** **D16/203**

(58) **Field of Classification Search** D16/200–205,
D16/208, 218, 242; 348/373–376; 396/419,
396/427, 535–541

See application file for complete search history.

(56) **References Cited**

U.S. PATENT DOCUMENTS

D429,743 S	8/2000	Renkis	
6,705,774 B2 *	3/2004	Tashiro et al.	396/427
D517,585 S *	3/2006	Iino et al.	D16/203
D518,080 S *	3/2006	Uehara	D16/203
D533,575 S *	12/2006	Reawsanguanwong et al.	D16/202
D558,810 S *	1/2008	Alden et al.	D16/202
D562,868 S *	2/2008	Cho et al.	D16/202
D564,004 S *	3/2008	Ikeda et al.	D16/202
D573,622 S *	7/2008	Fisher et al.	D16/202
D575,316 S	8/2008	Liu et al.	

7,736,071 B2 *	6/2010	Wahl et al.	396/419
D624,108 S *	9/2010	Wang et al.	D16/219
D627,815 S *	11/2010	Oba	D16/202

FOREIGN PATENT DOCUMENTS

JP	D1240903 S	4/2005
KR	30-0252326 S	12/1999
KR	30-0510014 S	10/2008

* cited by examiner

Primary Examiner — Adir Aronovich

(74) *Attorney, Agent, or Firm* — Sughrue Mion, PLLC

(57) **CLAIM**

The ornamental design of a wireless monitoring camera, as shown and described.

DESCRIPTION

FIG. 1 is a top, front and right side perspective view of a wireless monitoring camera showing my new design;
 FIG. 2 is a front elevational view of the wireless monitoring camera;
 FIG. 3 is a rear elevational view of the wireless monitoring camera;
 FIG. 4 is a left side elevational view of the wireless monitoring camera;
 FIG. 5 is a right side elevational view of the wireless monitoring camera;
 FIG. 6 is a top plan view of the wireless monitoring camera;
 FIG. 7 is a bottom plan view of the wireless monitoring camera;
 FIG. 8 is a bottom, front and left side perspective view of the wireless monitoring camera;
 FIG. 9 is a top, rear and left side perspective view of the wireless monitoring camera; and,
 FIG. 10 is a front elevational view of the wireless monitoring camera from which a ball joint is separated.

1 Claim, 10 Drawing Sheets

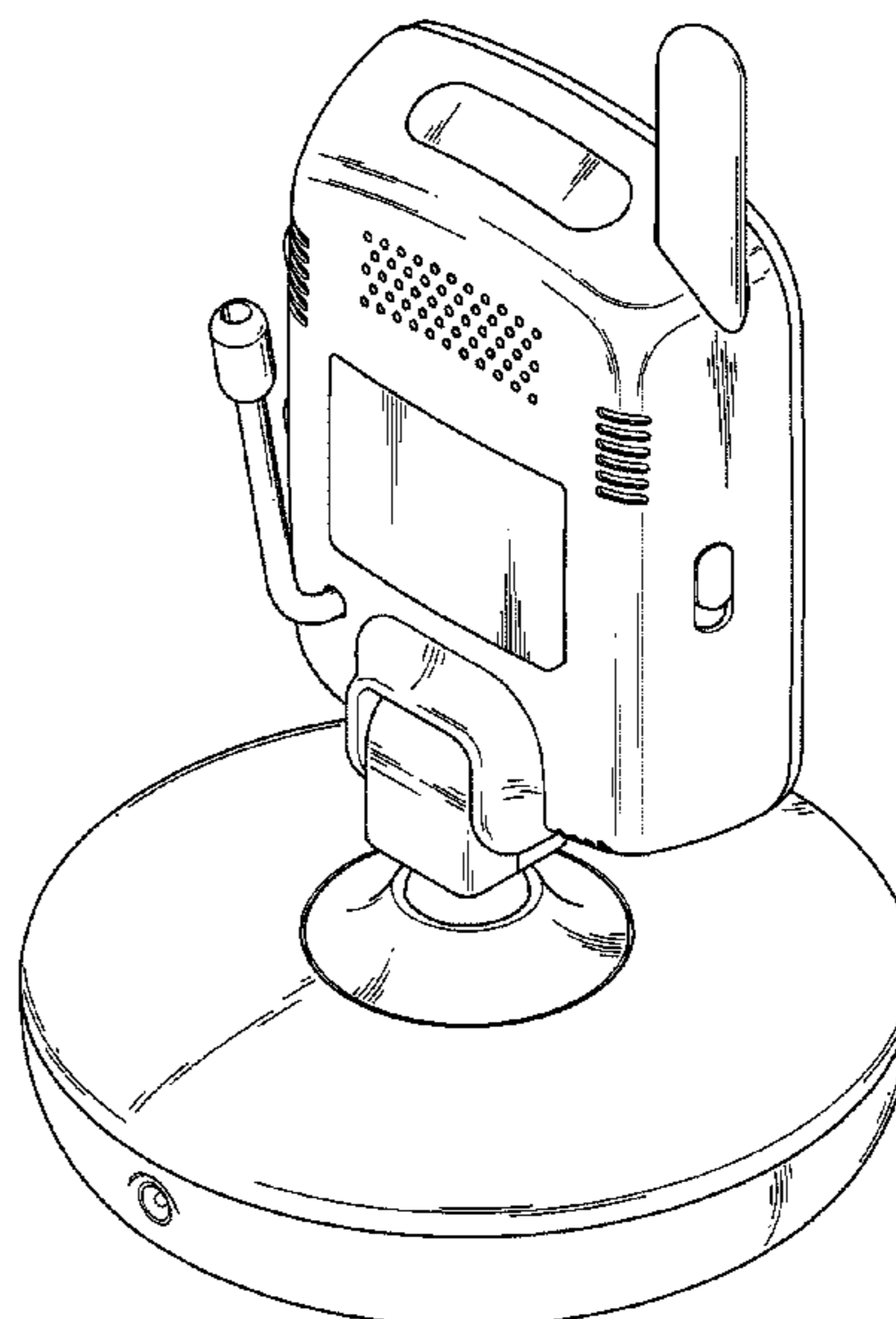
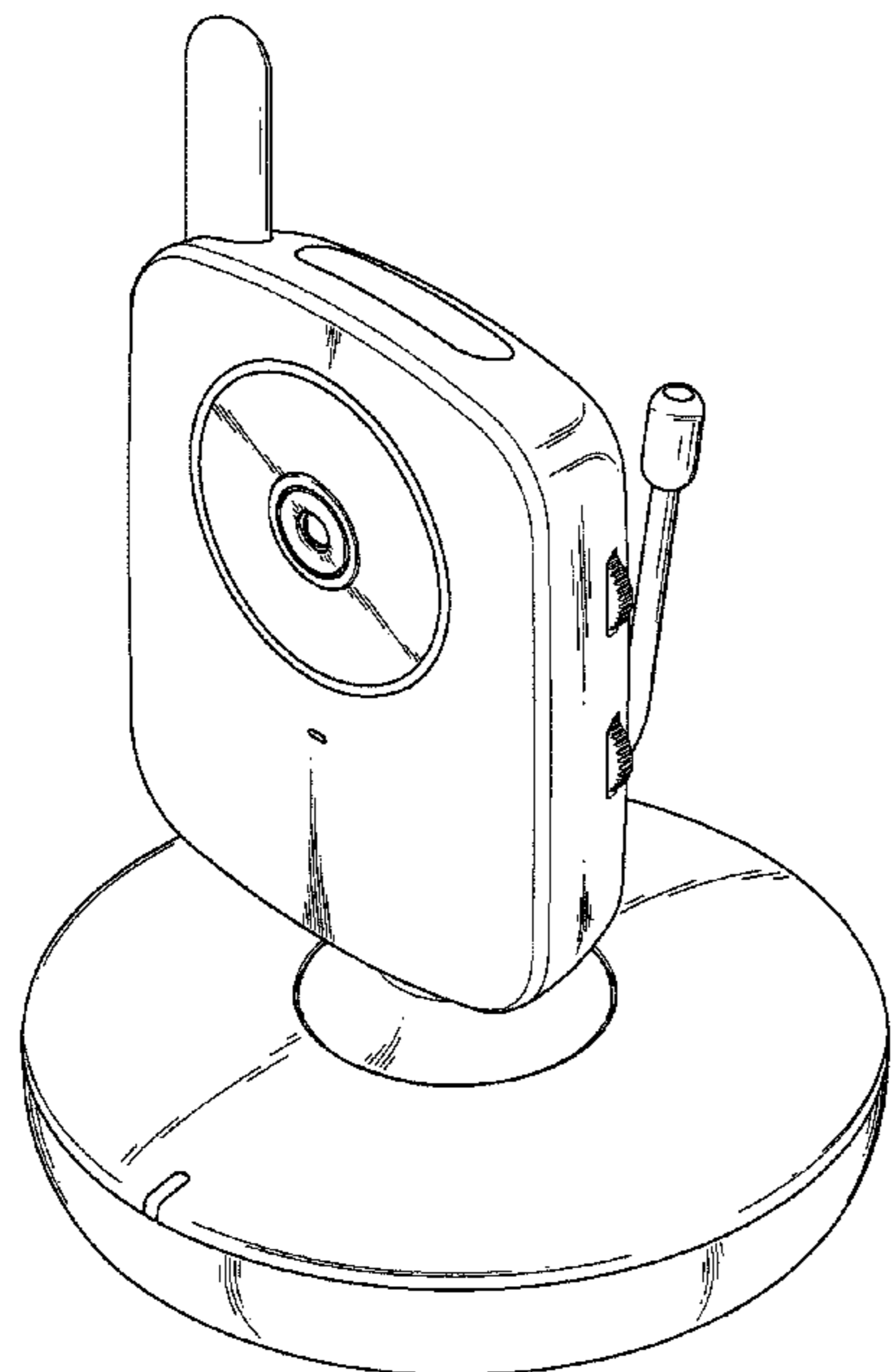


FIG. 1

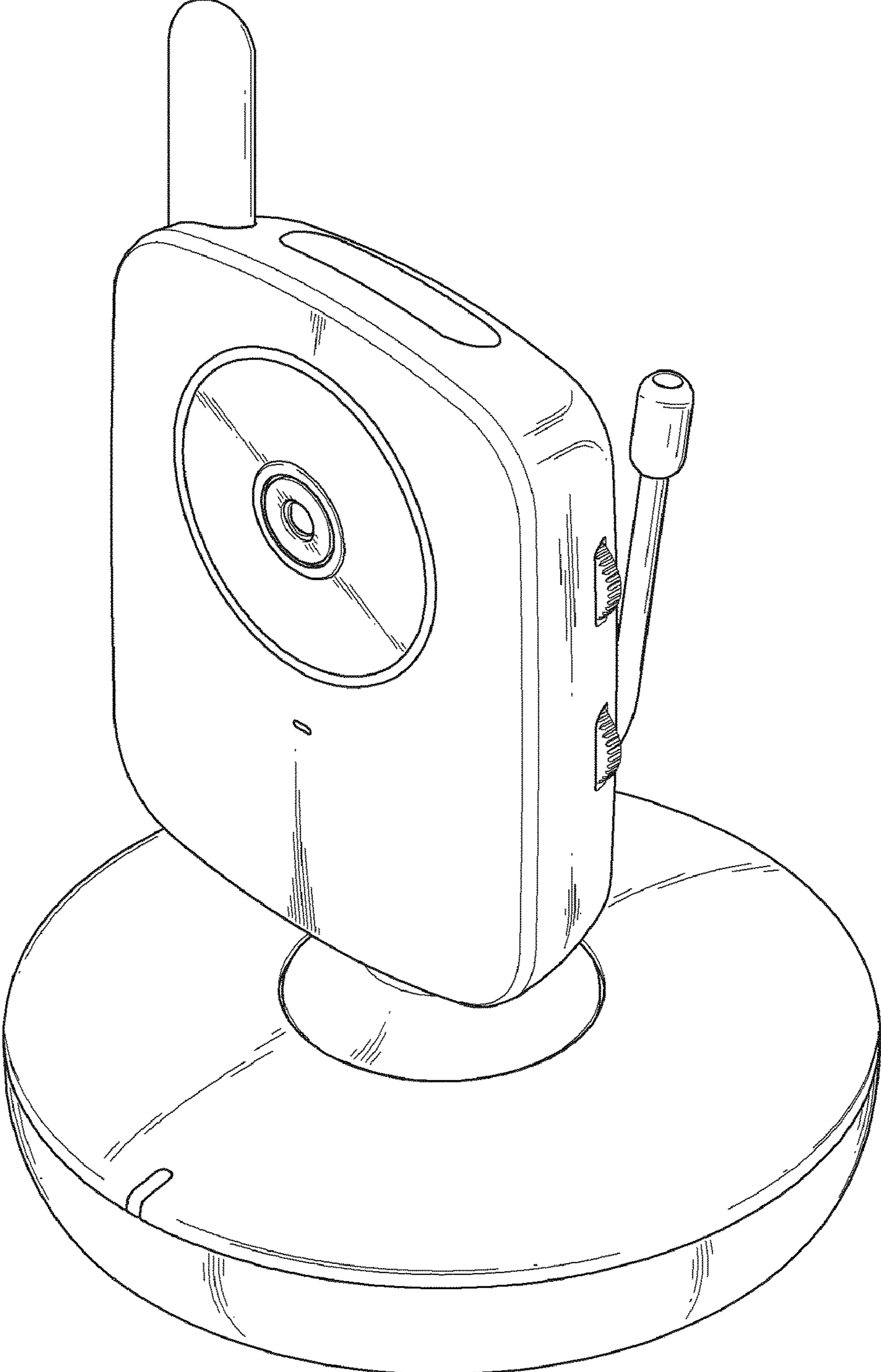


FIG. 2

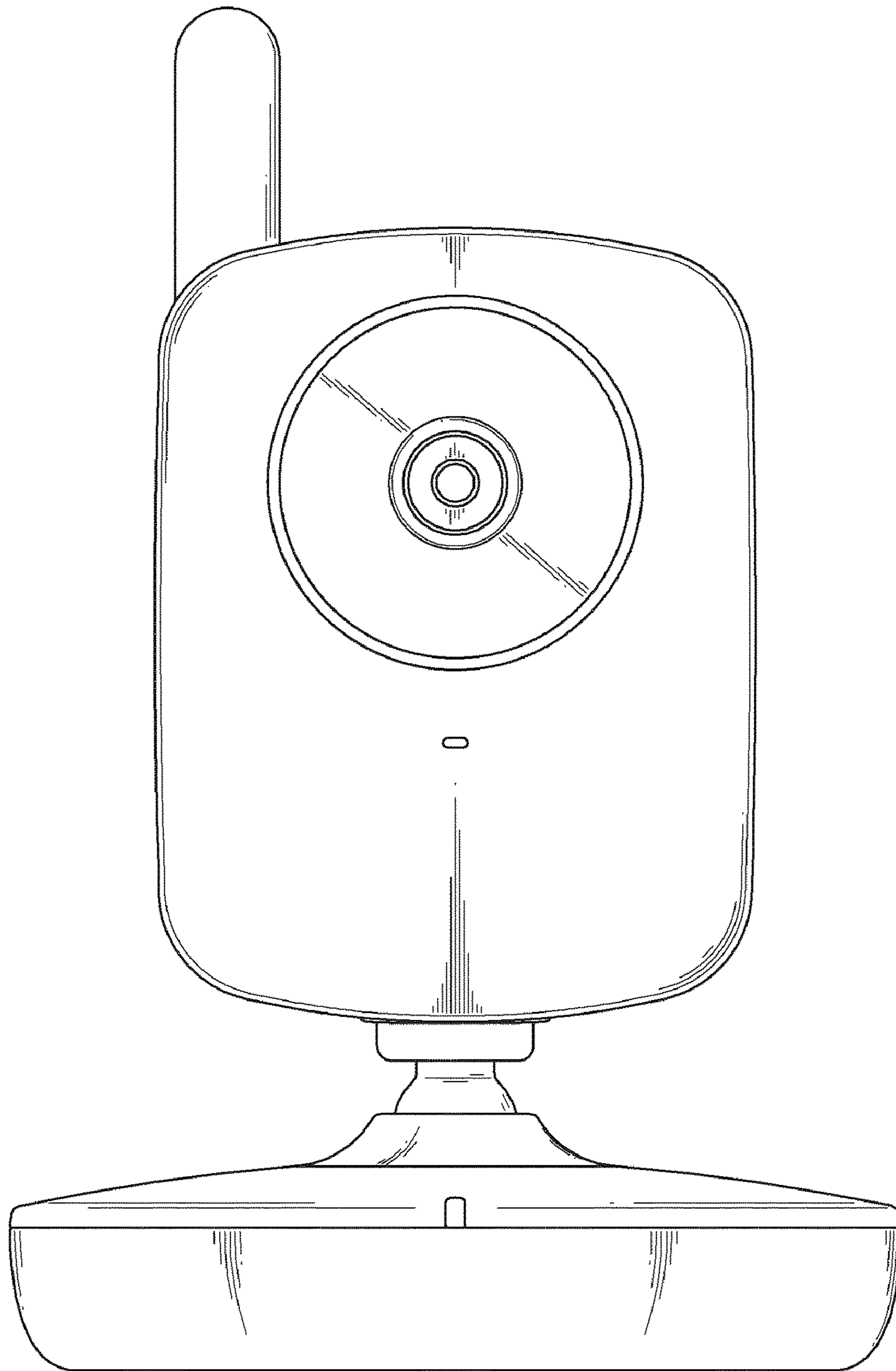


FIG. 3

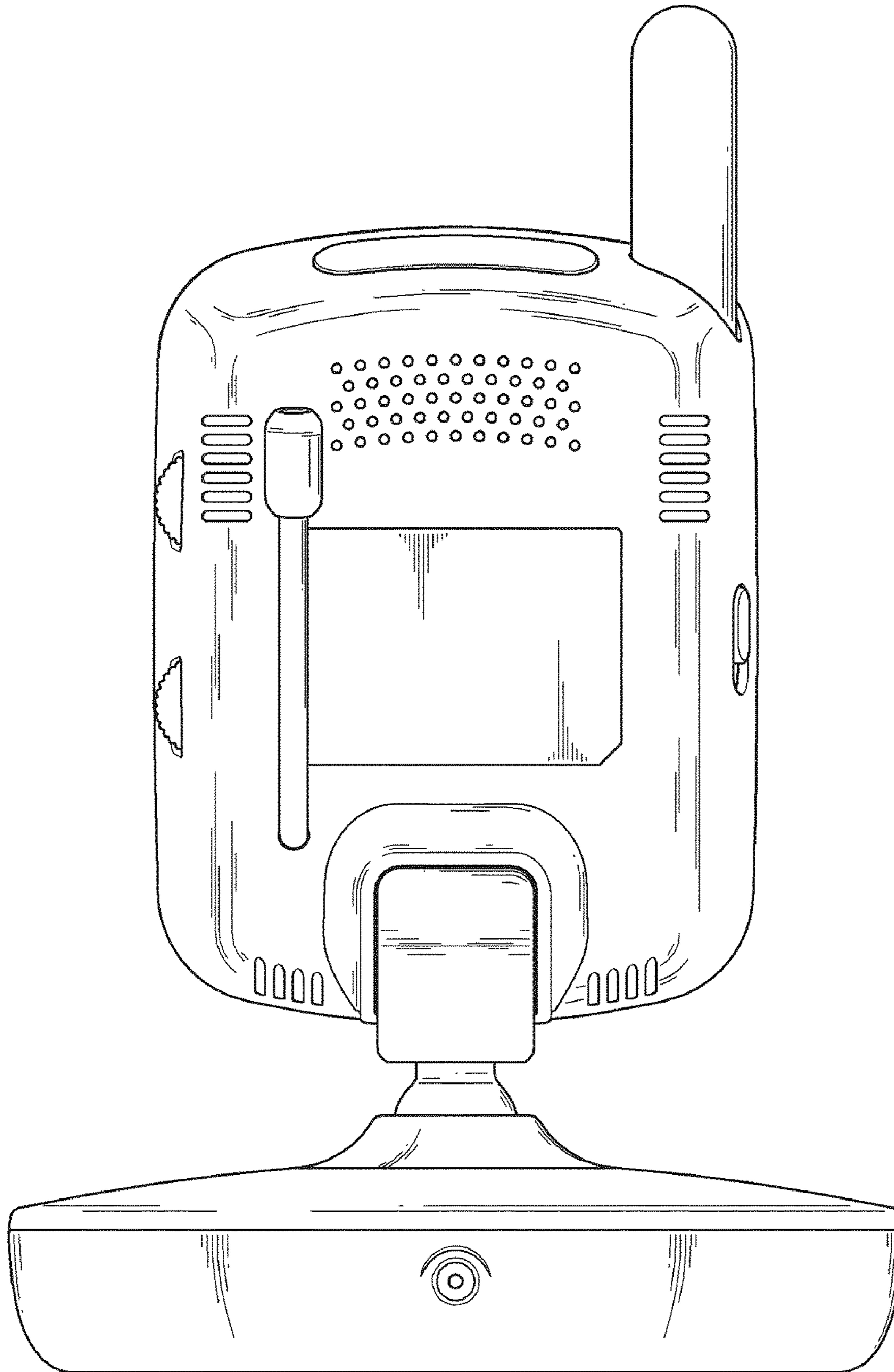


FIG. 4

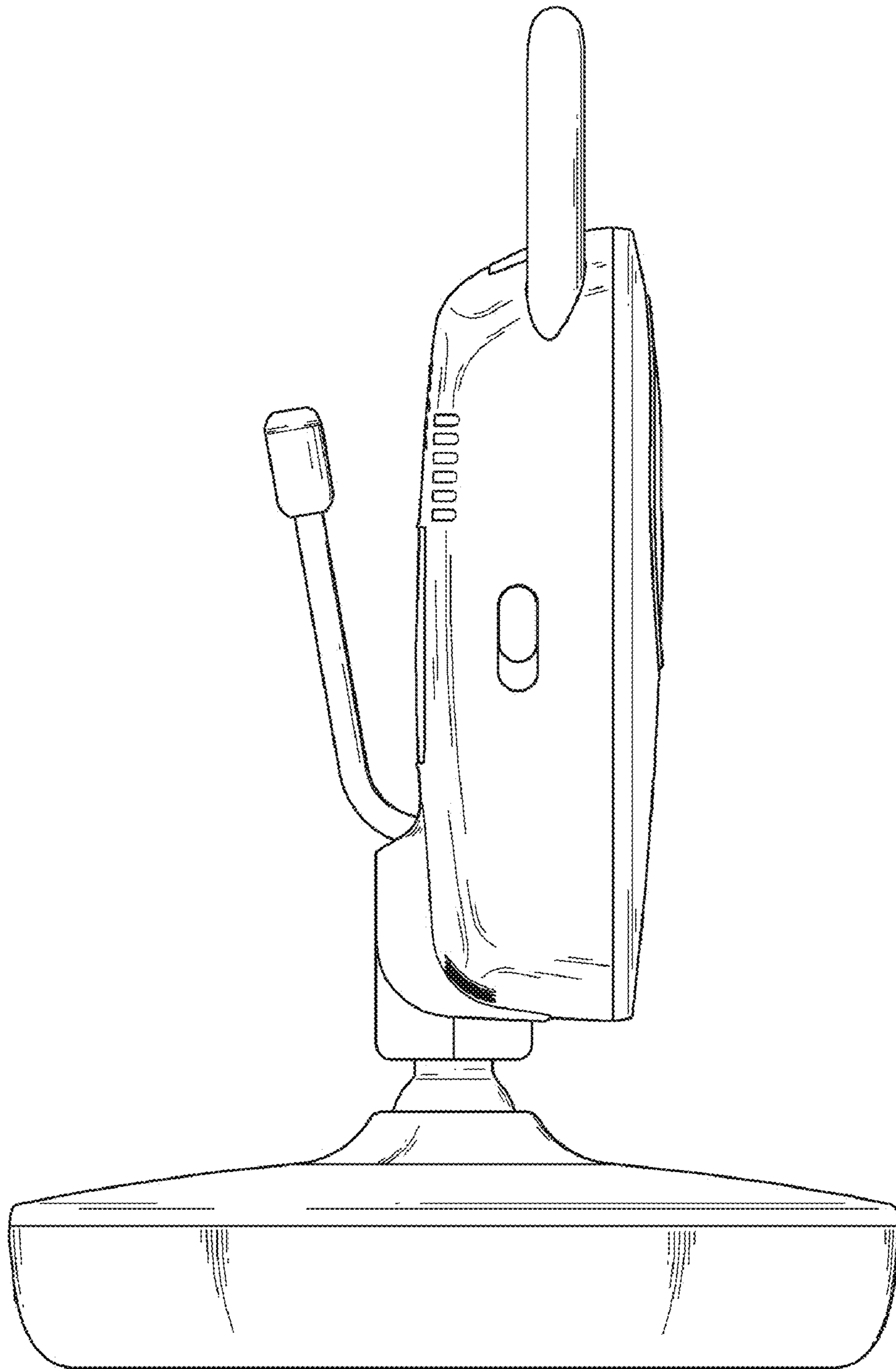


FIG. 5

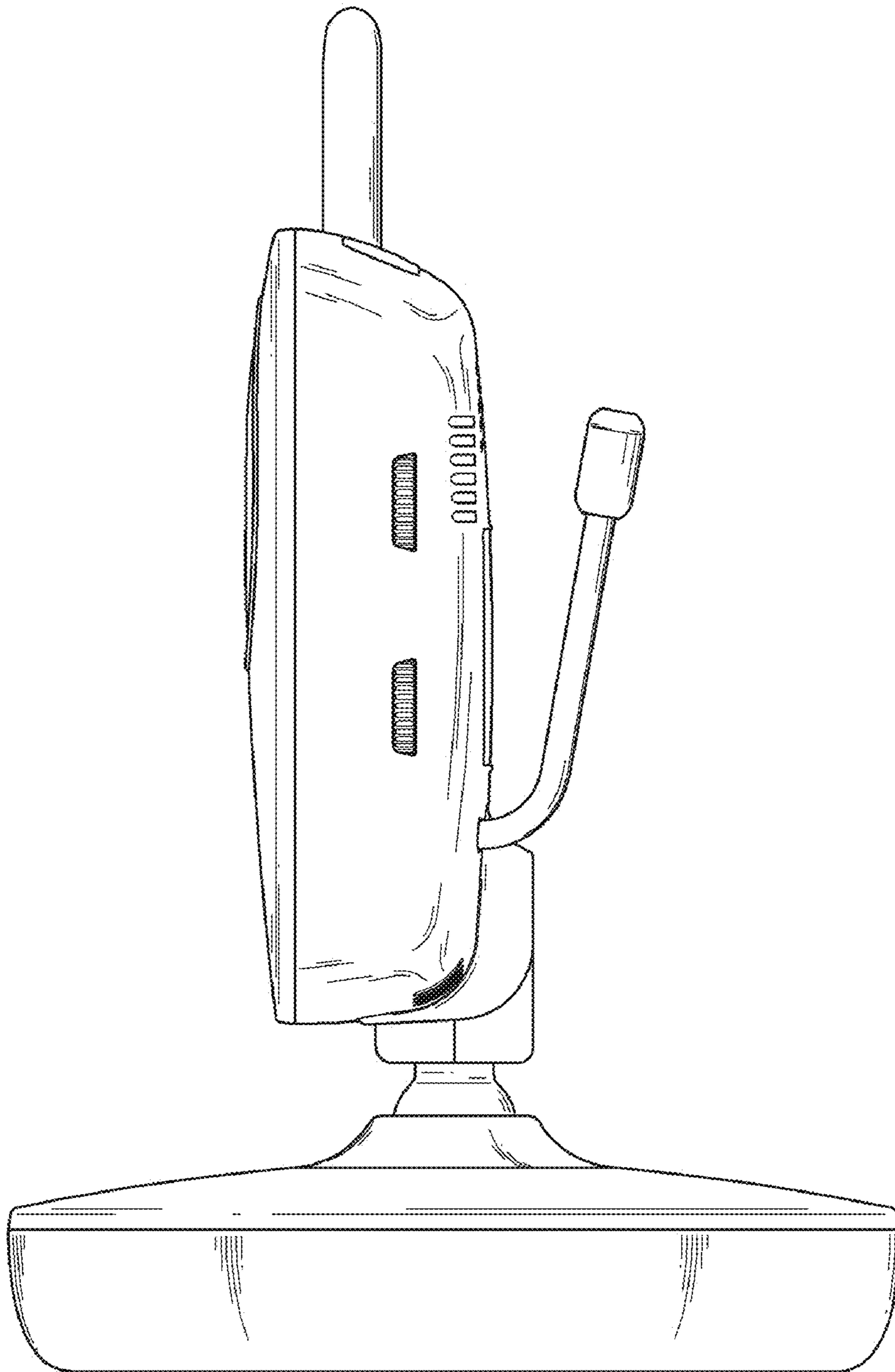


FIG. 6

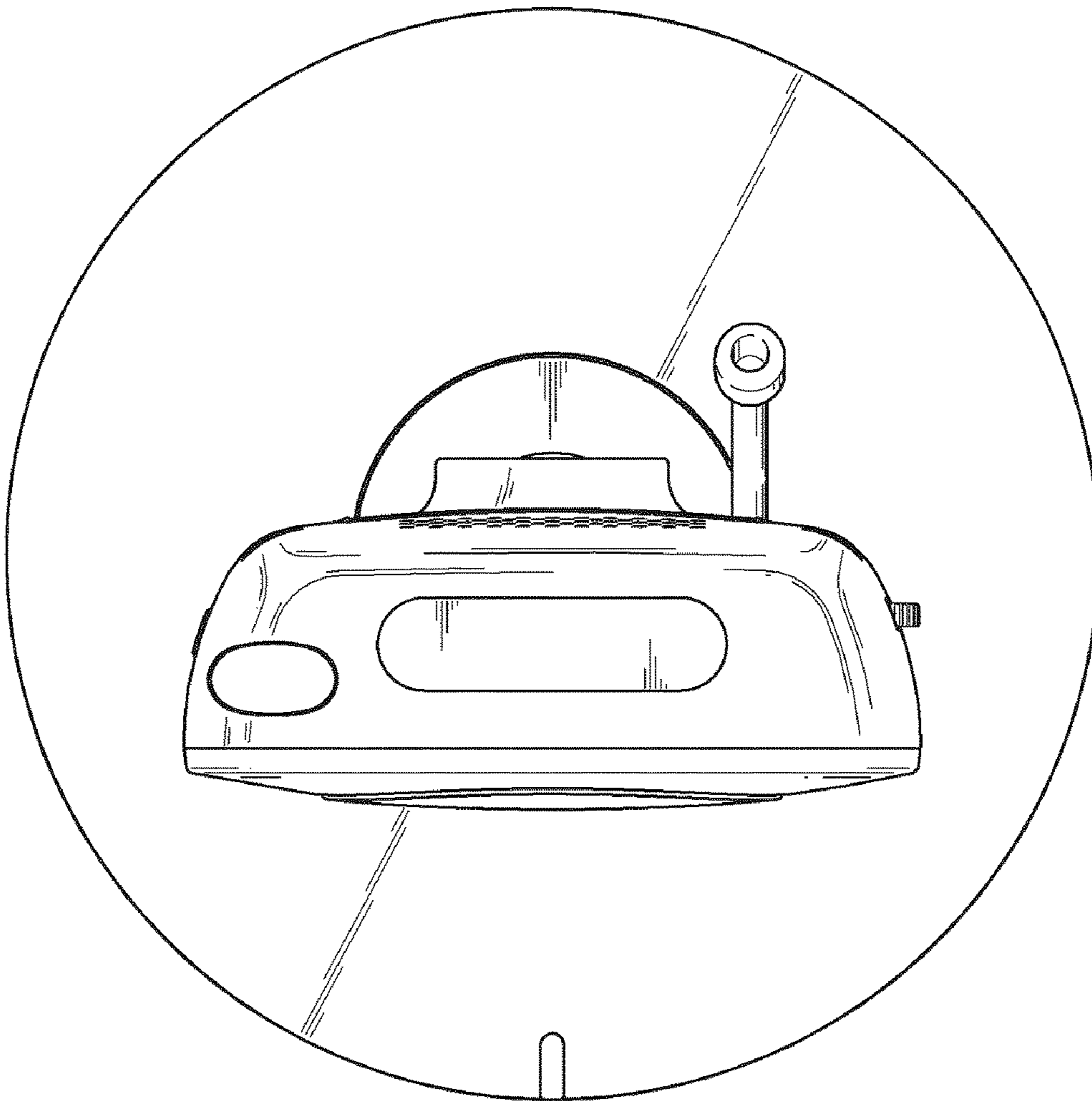


FIG. 7

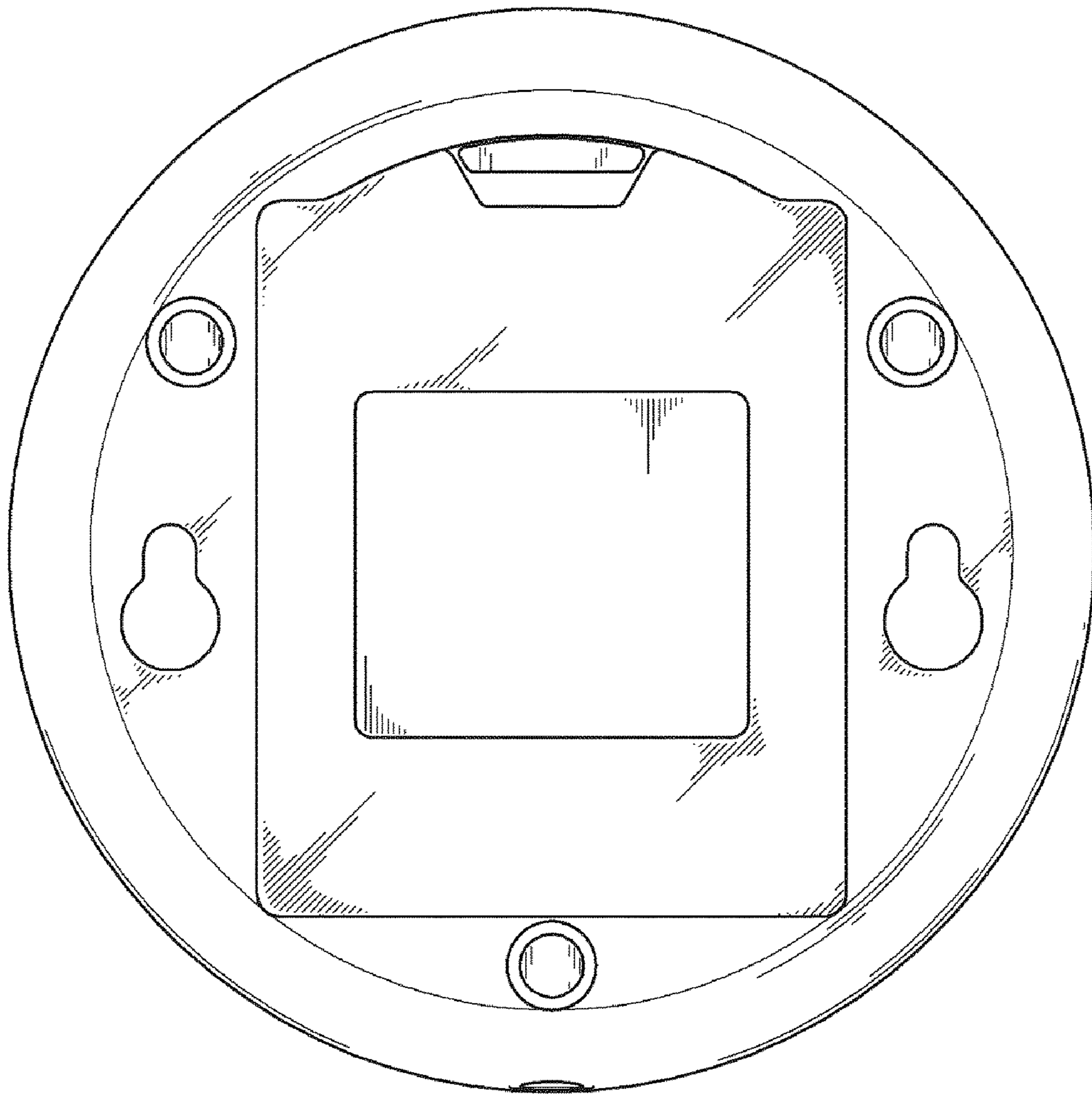


FIG. 8

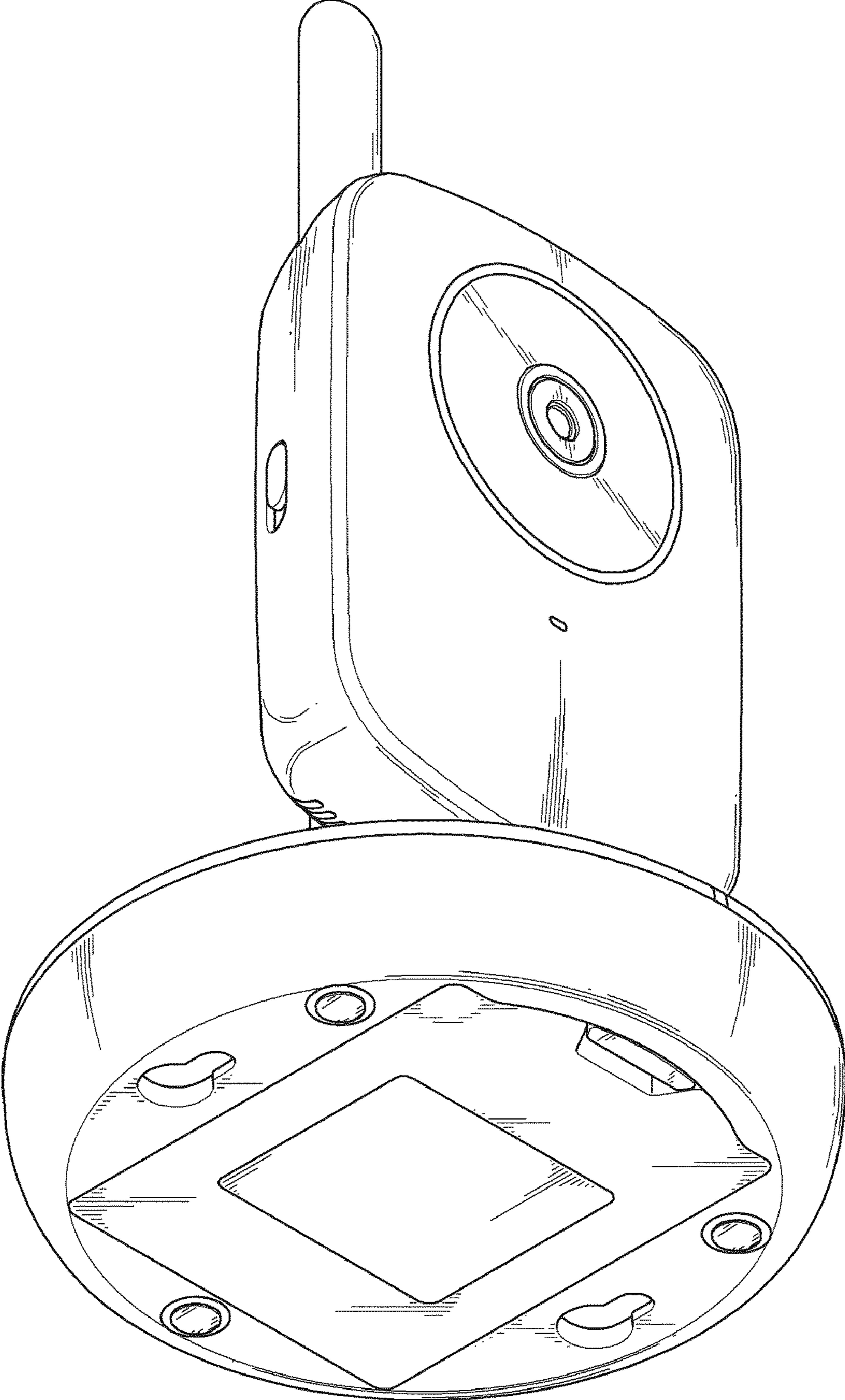


FIG. 9

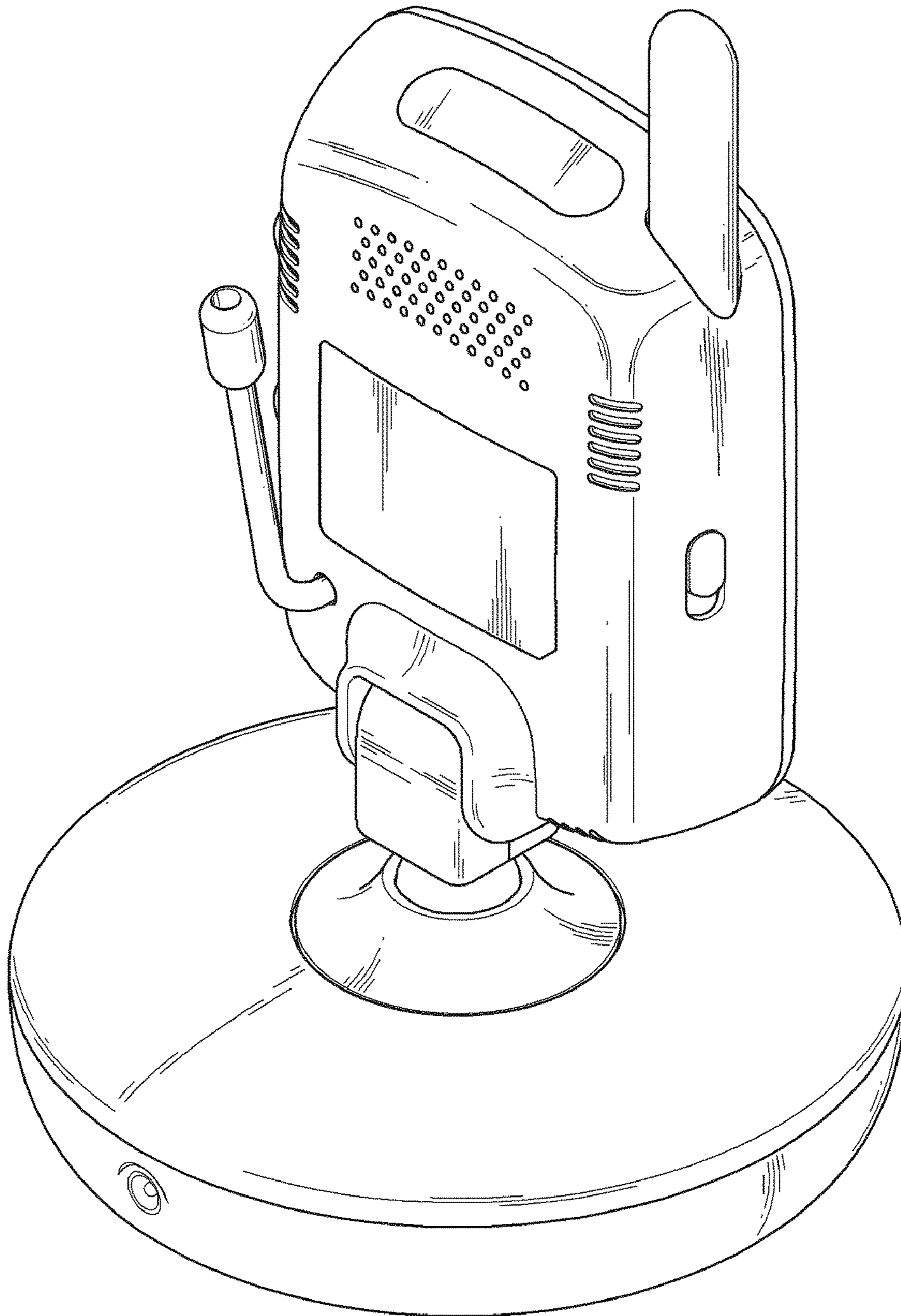


FIG. 10

