



US00D651632S

(12) **United States Design Patent**  
**Kim et al.**

(10) **Patent No.:** **US D651,632 S**  
(45) **Date of Patent:** **\*\* Jan. 3, 2012**

(54) **CAMCORDER**

(75) Inventors: **Myung-Kyu Kim**, Seoul (KR);  
**Young-Sang Jang**, Kyunggi-do (KR)

(73) Assignee: **Samsung Electronics Co., Ltd.**, Suwon (KR)

(\*\*) Term: **14 Years**

(21) Appl. No.: **29/390,447**

(22) Filed: **Apr. 25, 2011**

(30) **Foreign Application Priority Data**

Dec. 28, 2010 (KR) ..... 3020100056222

(51) **LOC (9) Cl.** ..... **16-01**

(52) **U.S. Cl.** ..... **D16/202**

(58) **Field of Classification Search** ..... D16/200,  
D16/202, 203, 204, 208, 218; 348/373-376;  
358/909.1; 396/535-541

See application file for complete search history.

(56) **References Cited**

**U.S. PATENT DOCUMENTS**

D356,354 S	3/1995	Killion	
D356,806 S	3/1995	Kim	
D366,886 S	2/1996	Choi	
D368,729 S	4/1996	Choi	
D372,925 S	8/1996	Choi	
D378,296 S	3/1997	Choi	
D383,767 S	9/1997	Sung et al.	
D386,506 S	11/1997	Choi et al.	
D390,243 S	2/1998	Choi	
D429,269 S *	8/2000	Renkis	D16/203
6,304,289 B1	10/2001	Sakai et al.	
D481,406 S	10/2003	Alessio	
D484,901 S	1/2004	Lim	
6,683,653 B1 *	1/2004	Miyake et al.	348/373
D496,355 S *	9/2004	Harshbarger et al.	D16/208
D520,044 S	5/2006	Chung et al.	

D520,545 S	5/2006	Chung et al.	
D520,546 S	5/2006	Kim	
D521,041 S	5/2006	Chung et al.	
D526,674 S	8/2006	Byun et al.	
D528,142 S	9/2006	Byun et al.	
D528,576 S	9/2006	Chung et al.	
D528,577 S	9/2006	Byun et al.	
D533,206 S	12/2006	Kim	
D548,220 S *	8/2007	Takagi	D16/208
D552,142 S	10/2007	Chung	
D552,648 S	10/2007	Chung	
D554,676 S	11/2007	Kim	
D554,678 S	11/2007	Kim	
D556,801 S	12/2007	Kim	
D558,247 S	12/2007	Kim	
D559,290 S	1/2008	Chung	
D560,241 S	1/2008	Chung	
D560,242 S	1/2008	Chung	

(Continued)

**FOREIGN PATENT DOCUMENTS**

KR 3002187570000 4/1998

(Continued)

*Primary Examiner* — Adir Aronovich

(74) *Attorney, Agent, or Firm* — Wood, Herron & Evans, LLP

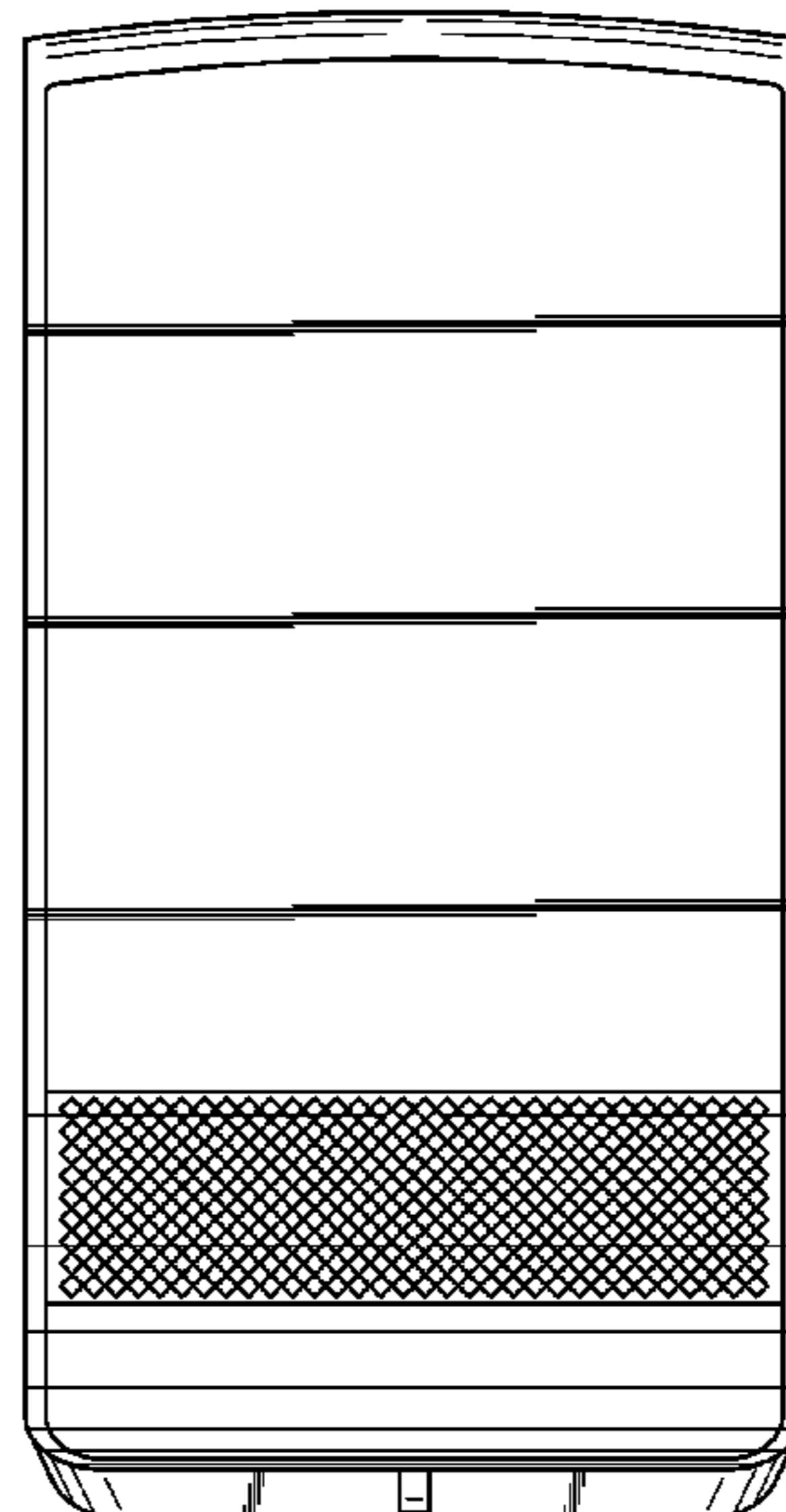
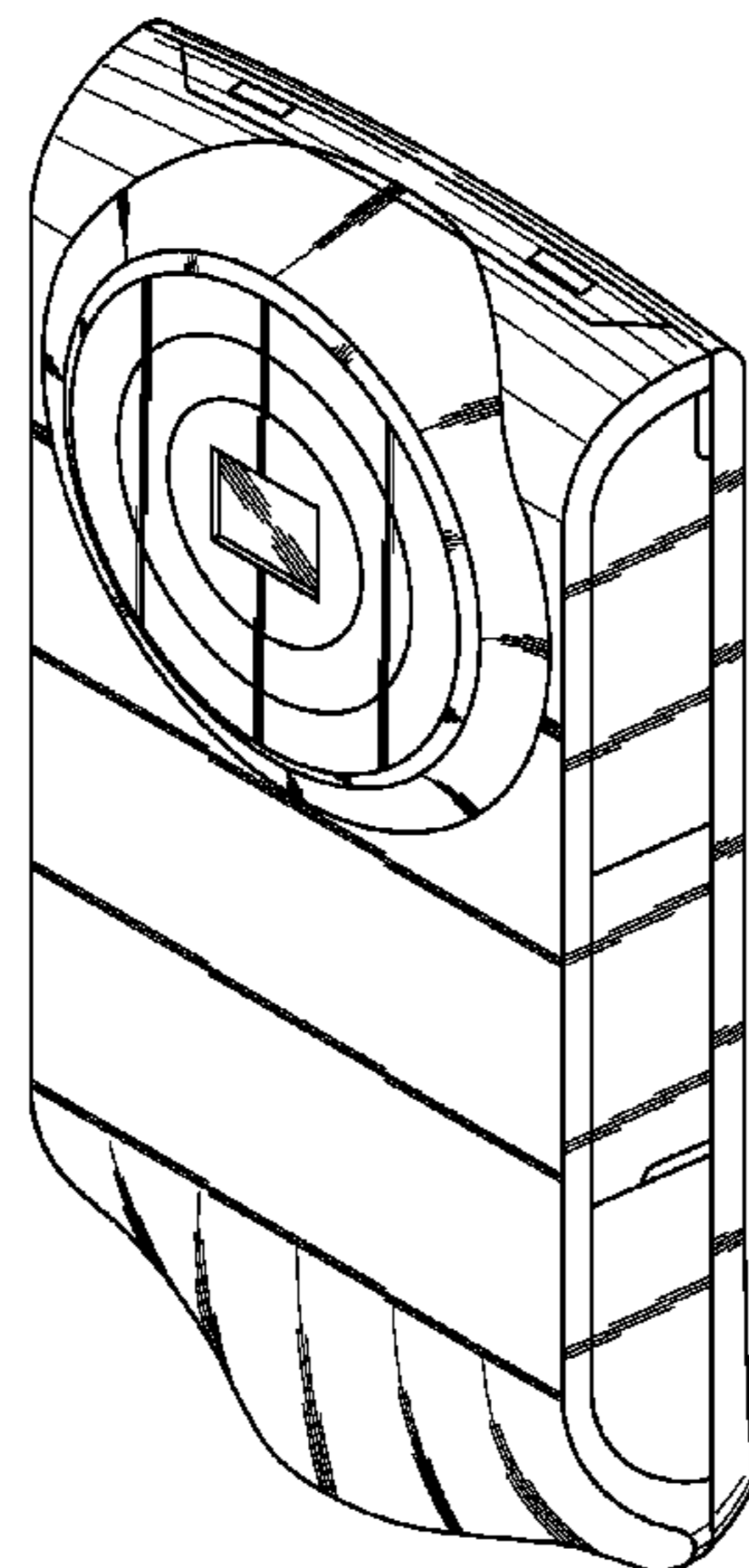
(57) **CLAIM**

The ornamental design for a camcorder, as shown and described.

**DESCRIPTION**

FIG. 1 is a top front perspective view of a camcorder showing our new design;  
FIG. 2 is a front elevational view thereof;  
FIG. 3 is a rear elevational view thereof;  
FIG. 4 is a left side elevational view thereof;  
FIG. 5 is a right side elevational view thereof;  
FIG. 6 is a top plan view thereof; and,  
FIG. 7 is a bottom plan view thereof.

**1 Claim, 5 Drawing Sheets**



# US D651,632 S

Page 2

## U.S. PATENT DOCUMENTS

D560,243 S 1/2008 Kim  
D580,469 S 11/2008 Chung et al.  
D580,470 S 11/2008 Chung et al.  
D584,325 S 1/2009 Chung et al.  
D584,753 S 1/2009 Chung et al.  
D584,754 S 1/2009 Chung et al.  
D591,321 S \* 4/2009 Sheppard et al. .... D16/202  
D592,231 S 5/2009 Schnell  
D600,731 S 9/2009 Lee et al.  
D607,479 S \* 1/2010 Yu ..... D16/202  
D612,408 S 3/2010 Yamakawa  
D613,323 S 4/2010 Jang et al.  
D614,221 S 4/2010 Park  
D617,821 S \* 6/2010 Kaplan et al. .... D16/202  
D619,155 S 7/2010 Kim et al.  
D631,077 S 1/2011 Kawase

D631,495 S 1/2011 Lee et al.  
D638,458 S \* 5/2011 Miyamori et al. .... D16/202  
D641,771 S \* 7/2011 Sasaki et al. .... D16/202  
2007/0115387 A1 \* 5/2007 Ho ..... 348/375  
2007/0153120 A1 7/2007 Kajikawa et al.

## FOREIGN PATENT DOCUMENTS

KR 3002187590000 4/1998  
KR 3002187640000 4/1998  
KR 3002203070000 5/1998  
KR 3005553310001 6/2010  
KR 3005690140000 8/2010  
KR 3005813270000 12/2010  
KR 3005914070000 3/2011  
KR 3006015960000 6/2011  
KR 3006083620000 8/2011

\* cited by examiner

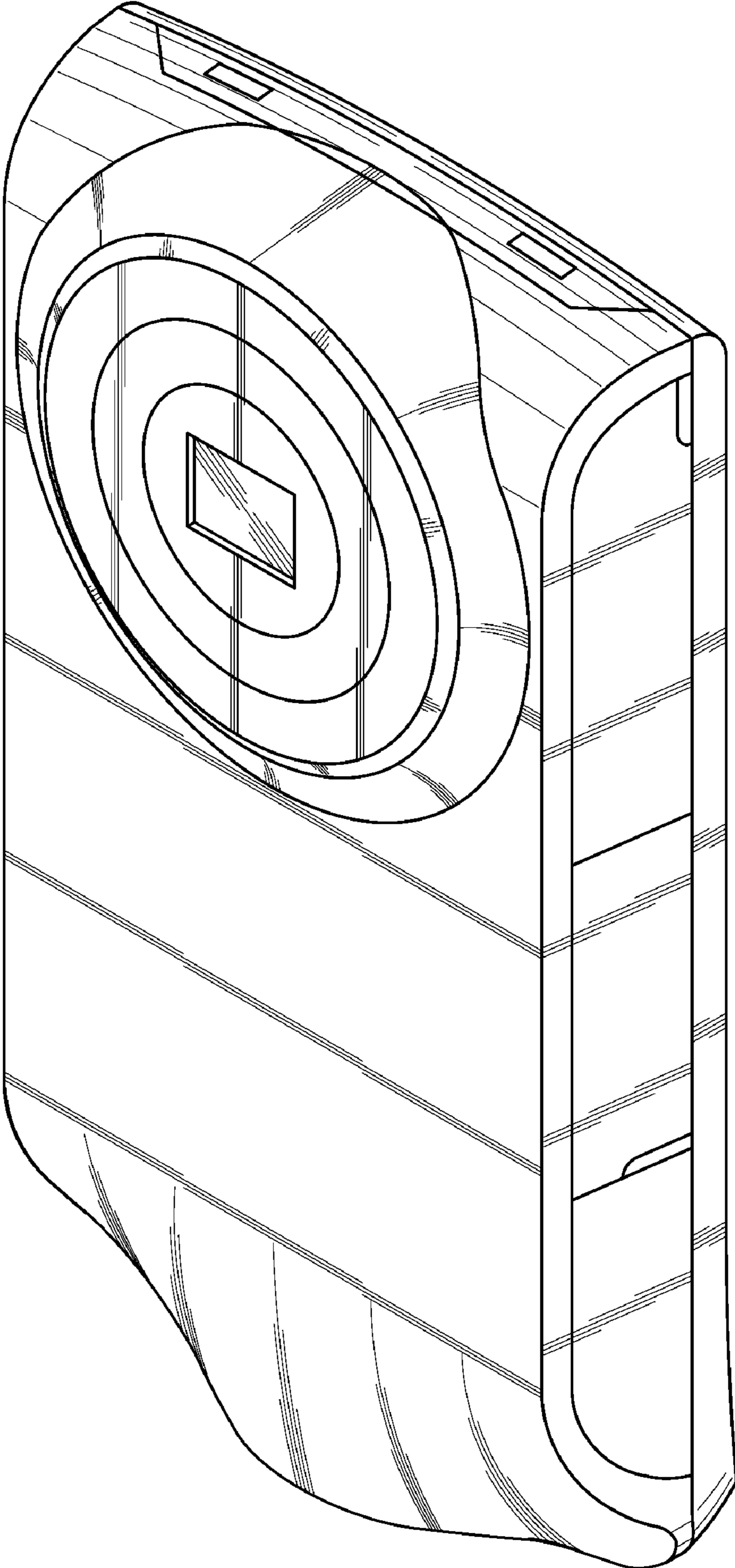


FIG. 1

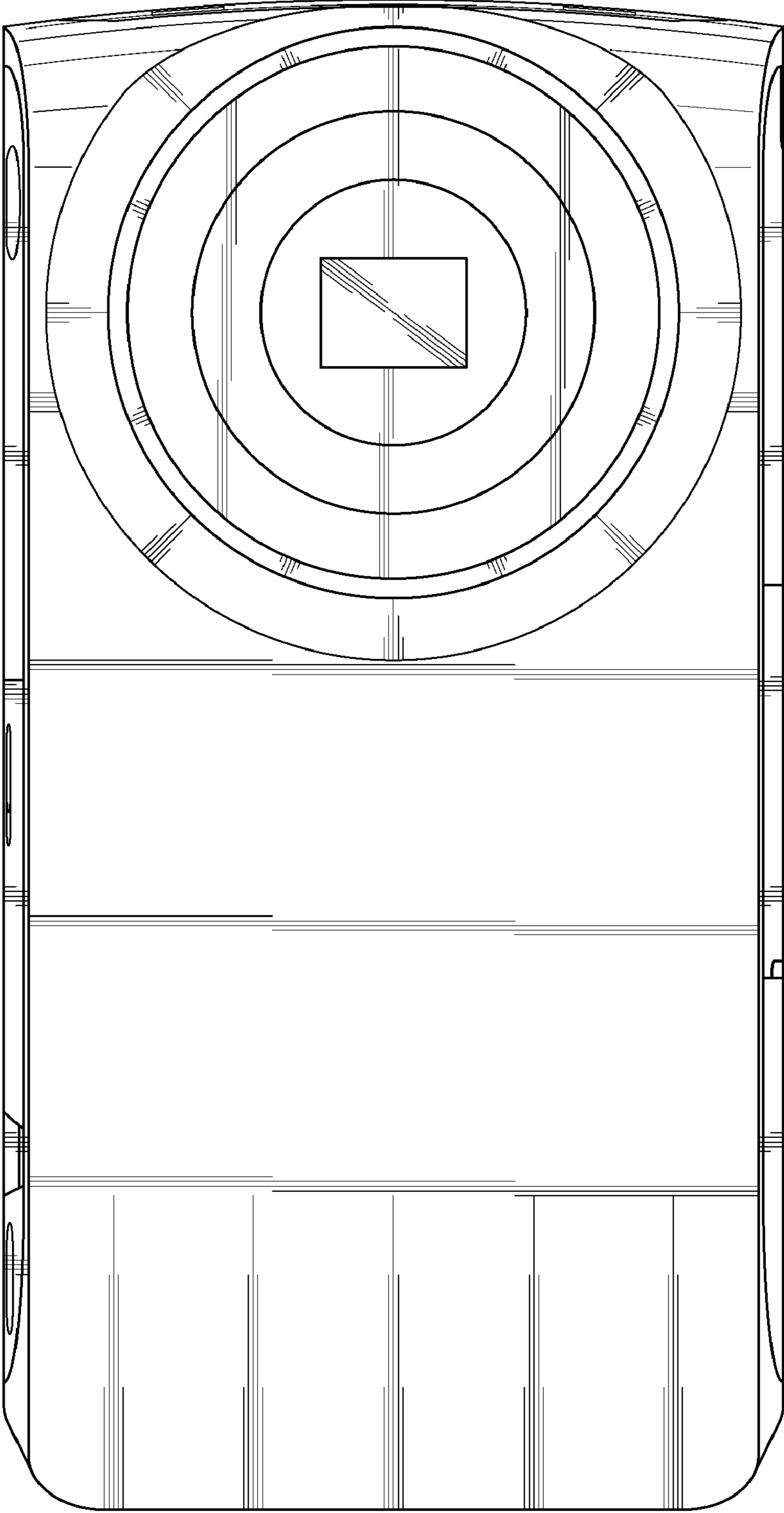


FIG.2

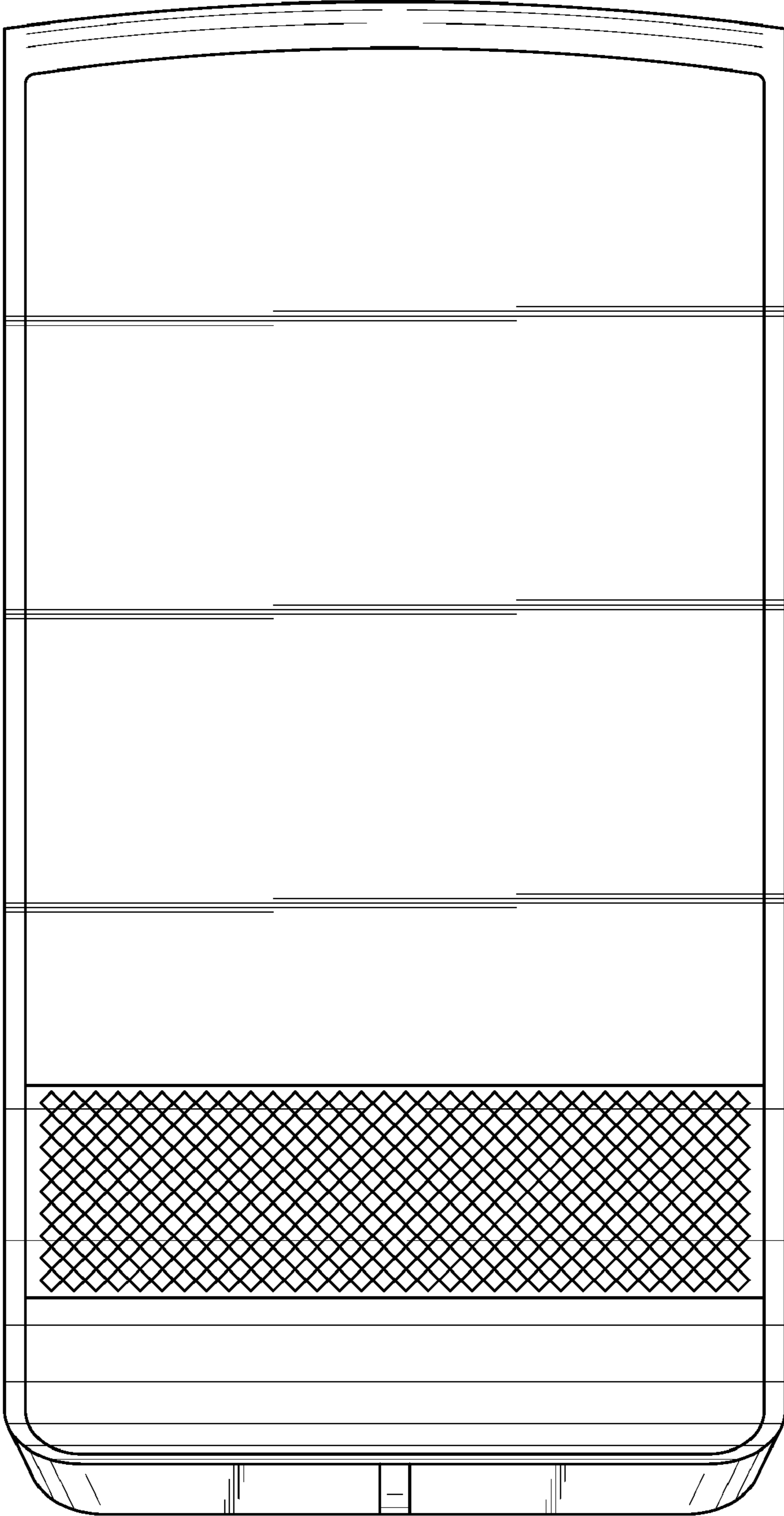


FIG.3

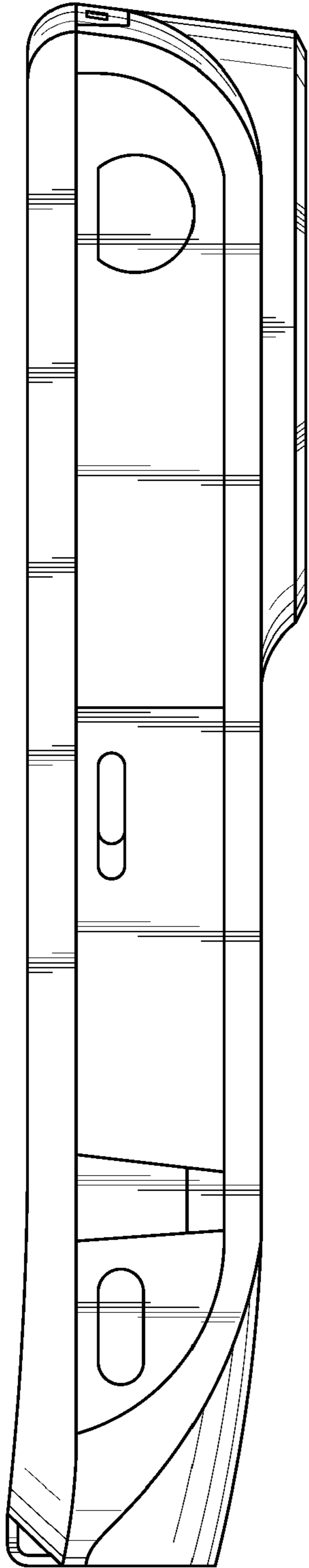


FIG. 4

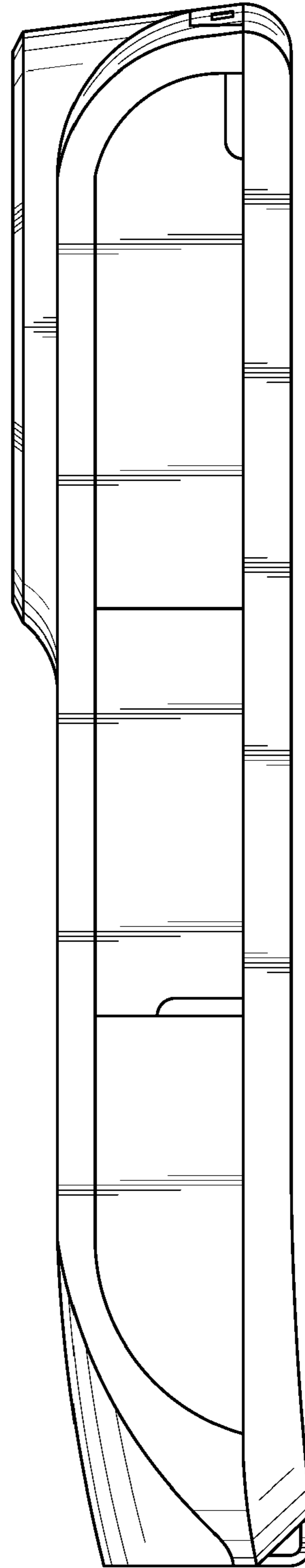


FIG. 5

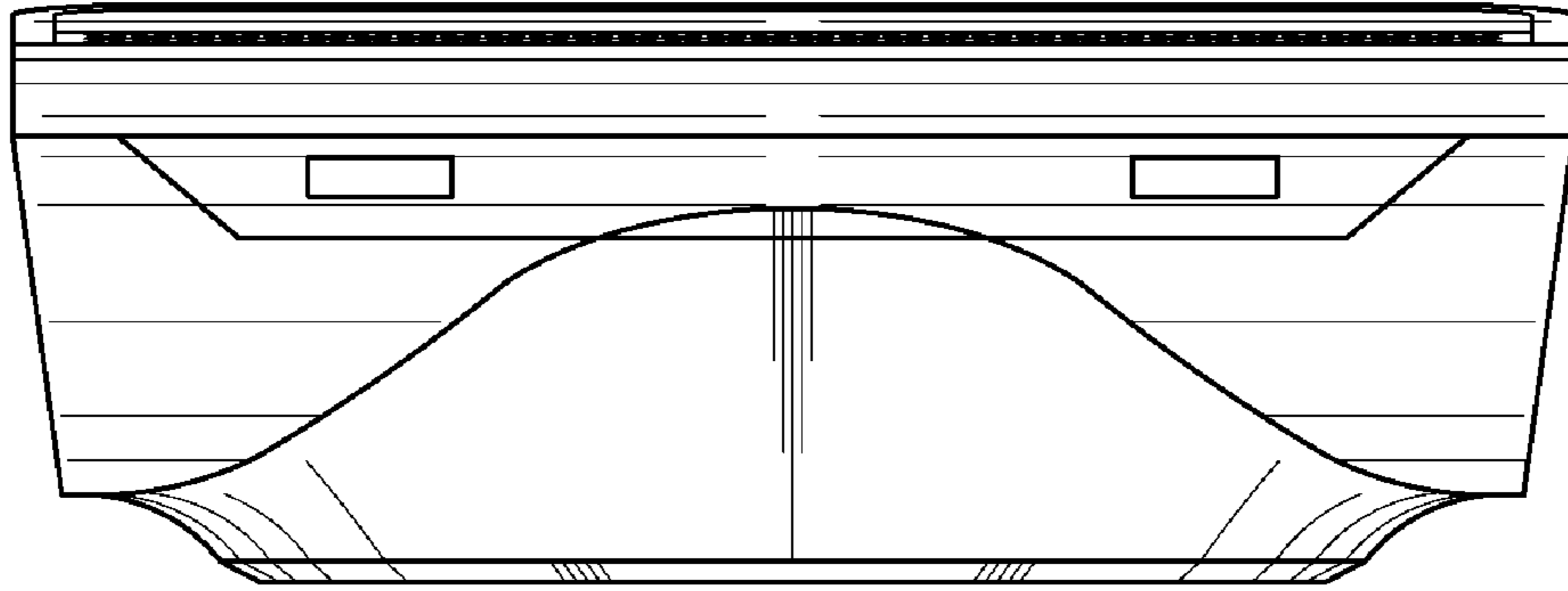


FIG.6

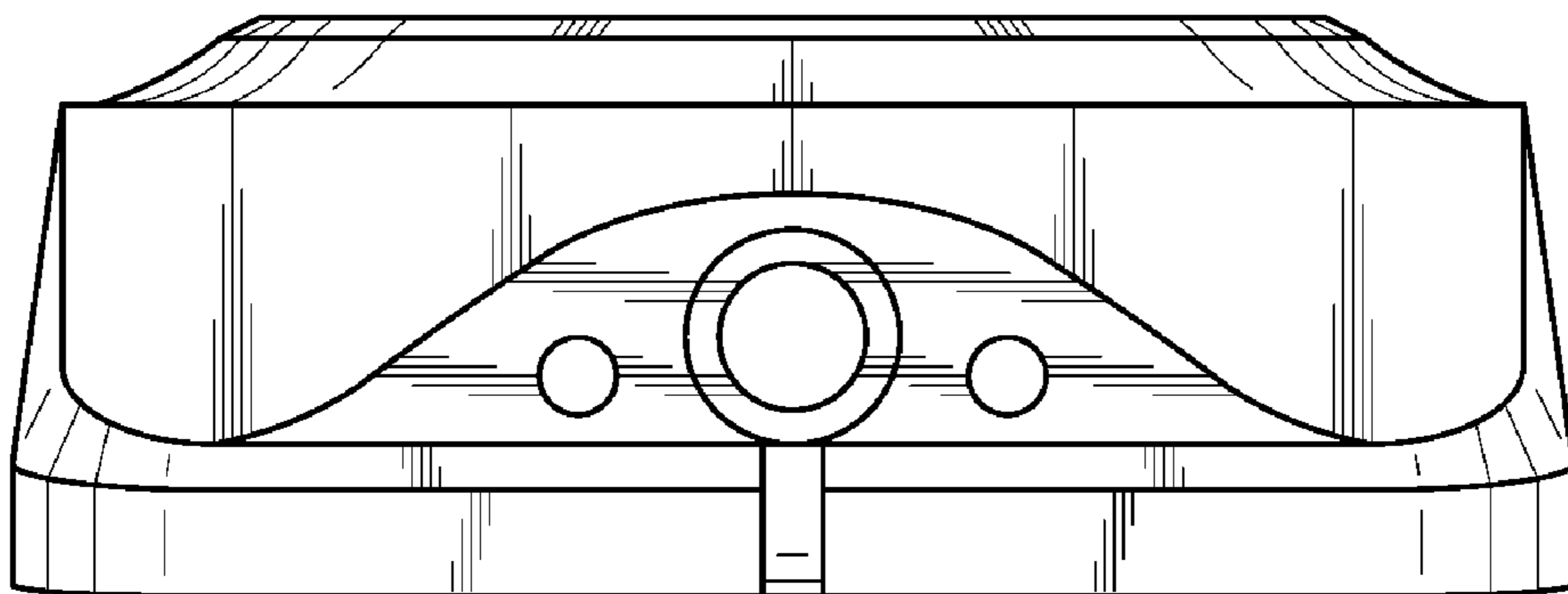


FIG.7