



US00D651629S

(12) **United States Design Patent**  
**Carley et al.**

(10) **Patent No.:** **US D651,629 S**  
(45) **Date of Patent:** **\*\* Jan. 3, 2012**

(54) **BINOCULARS**

(75) Inventors: **Jason C. Carley**, Dix Hills, NY (US);  
**Sean J. Kieley**, Montreal (CA)

(73) Assignee: **Carson Optical, Inc.**, Hauppauge, NY (US)

(\*\*) Term: **14 Years**

(21) Appl. No.: **29/382,476**

(22) Filed: **Jan. 4, 2011**

(51) **LOC (9) Cl.** ..... **16-06**

(52) **U.S. Cl.** ..... **D16/133**

(58) **Field of Classification Search** ..... D16/130,  
D16/133; D21/483; 359/407, 408, 409,  
359/410, 411, 412, 413, 414, 415, 416, 417,  
359/418, 419, 420, 422, 835

See application file for complete search history.

(56) **References Cited**

**U.S. PATENT DOCUMENTS**

D83,934 S *	4/1931	Trautman	.....	D16/133
D412,177 S *	7/1999	Fujii	.....	D16/133
D486,507 S *	2/2004	Fujii	.....	D16/133
D503,730 S *	4/2005	Hamamura	.....	D16/133

D508,706 S *	8/2005	Hayamizu	.....	D16/133
D523,047 S *	6/2006	Swift et al.	.....	D16/133
D567,275 S *	4/2008	Hayamizu	.....	D16/133
D590,855 S *	4/2009	Watanabe	.....	D16/133
D602,059 S *	10/2009	Inaba	.....	D16/133
D627,378 S *	11/2010	Watanabe	.....	D16/133

\* cited by examiner

*Primary Examiner* — Paula Greene

(74) *Attorney, Agent, or Firm* — Carmody & Torrance LLP

(57) **CLAIM**

The ornamental design for binoculars, as shown and described.

**DESCRIPTION**

FIG. 1 is a perspective view of binoculars showing our new design;

FIG. 2 is a front elevational view of FIG. 1;

FIG. 3 is a top plan view of FIG. 1;

FIG. 4 is a bottom plan view of FIG. 1;

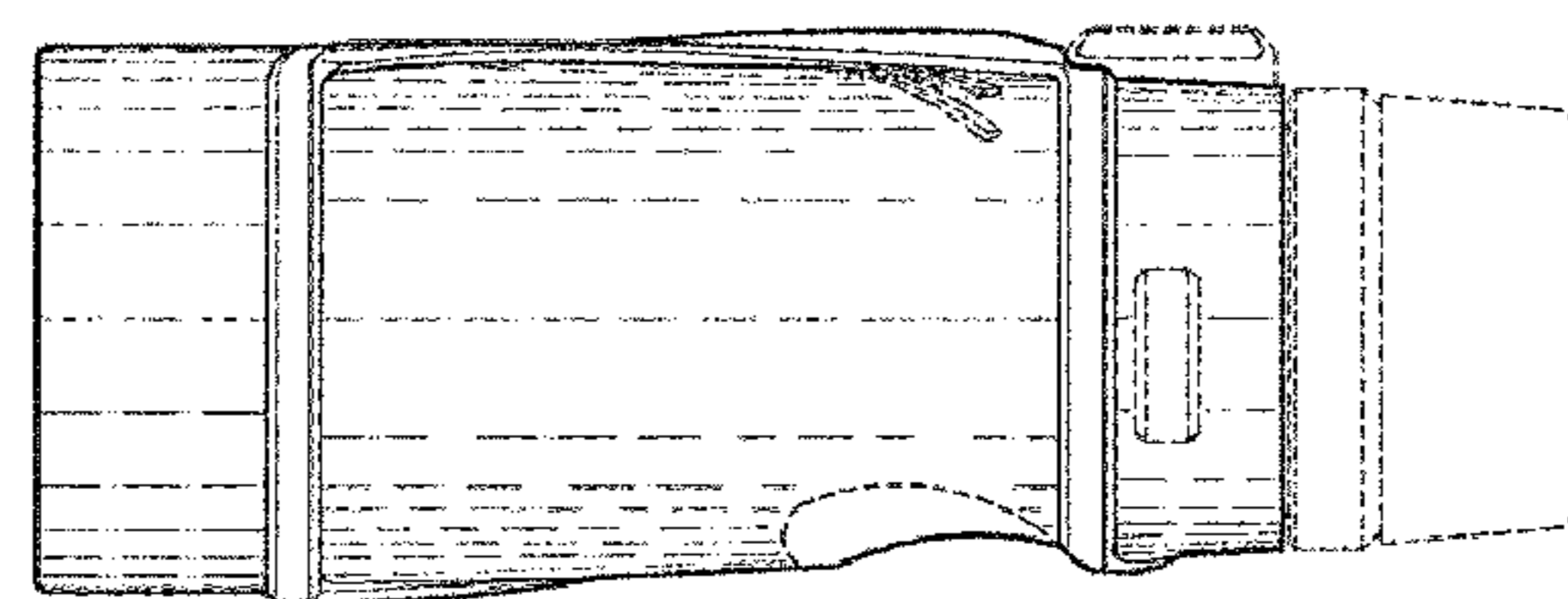
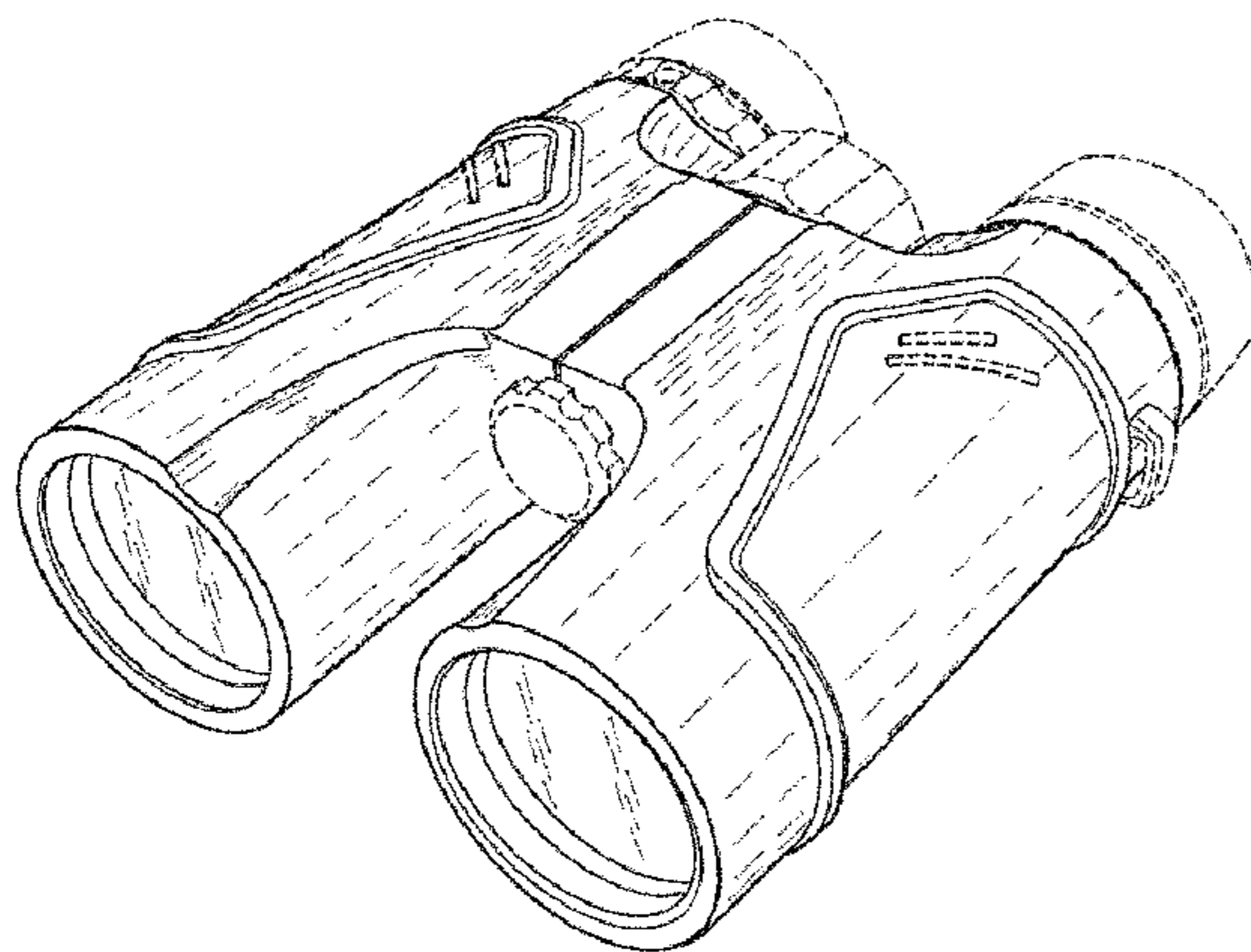
FIG. 5 is a right side elevational view of FIG. 1;

FIG. 6 is a left side elevational view of FIG. 1; and,

FIG. 7 is a back elevational view of FIG. 1.

The dotted lines are intended to show features that are environmental only and form no part of the claimed design.

**1 Claim, 5 Drawing Sheets**



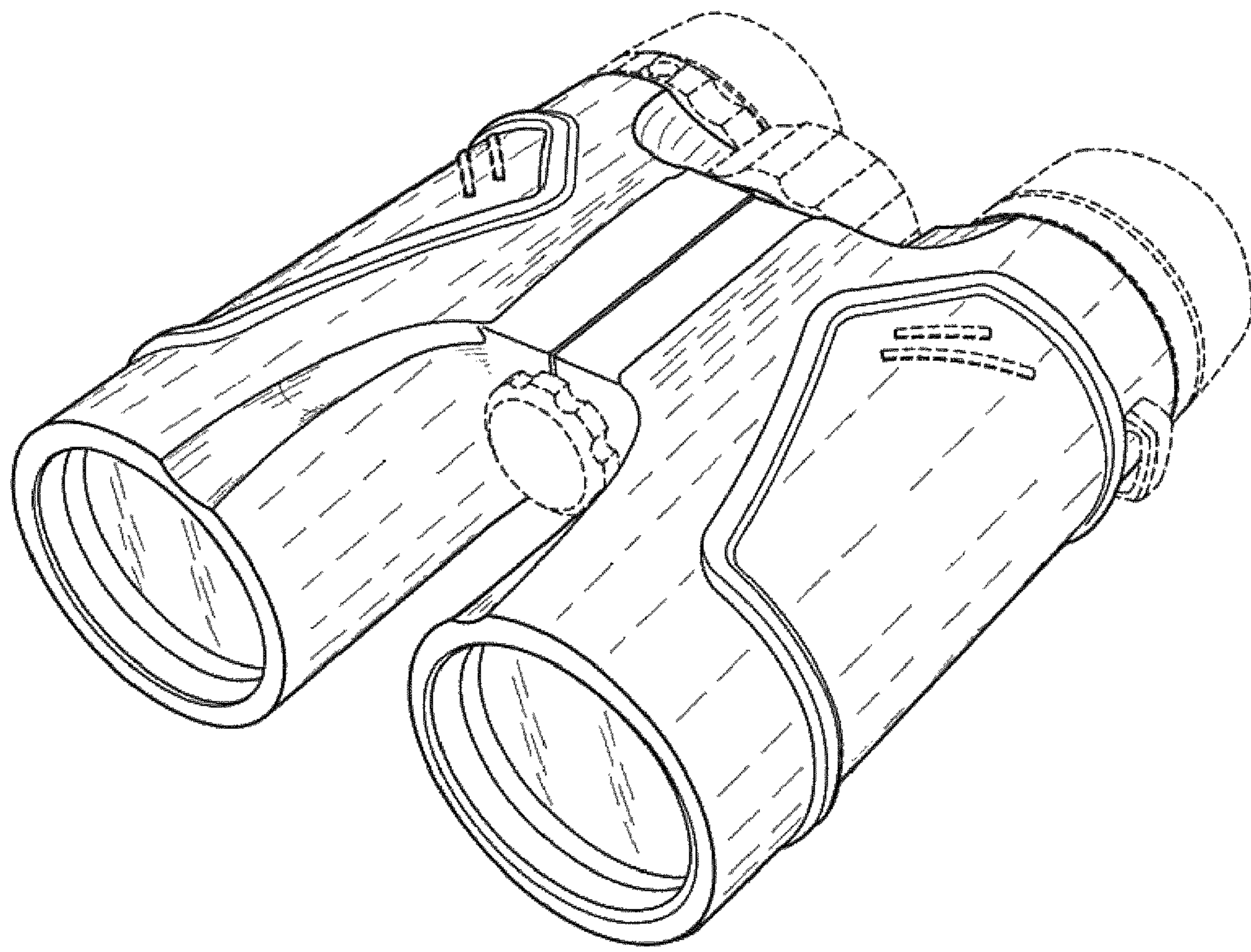


FIG. 1

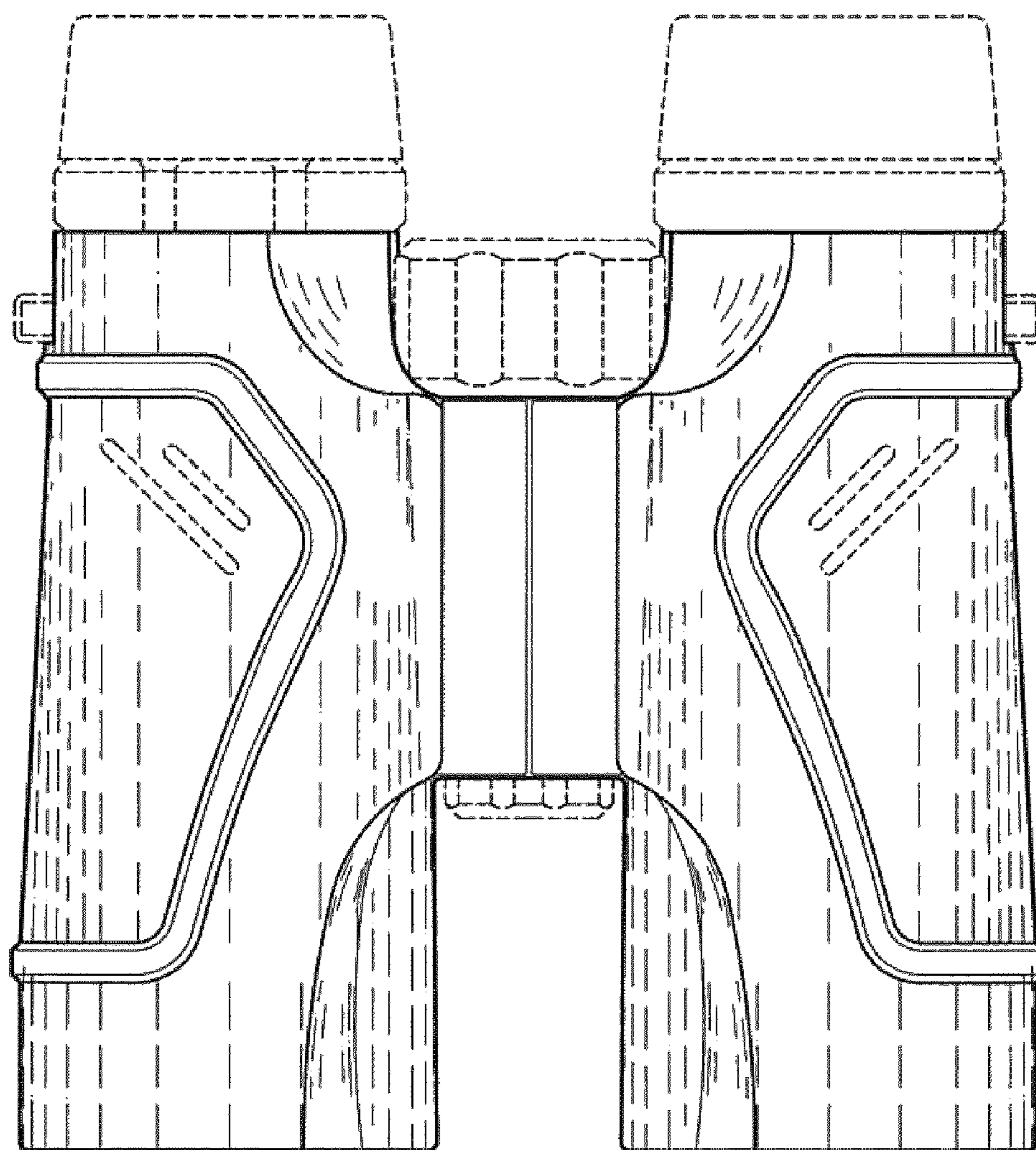


FIG. 2



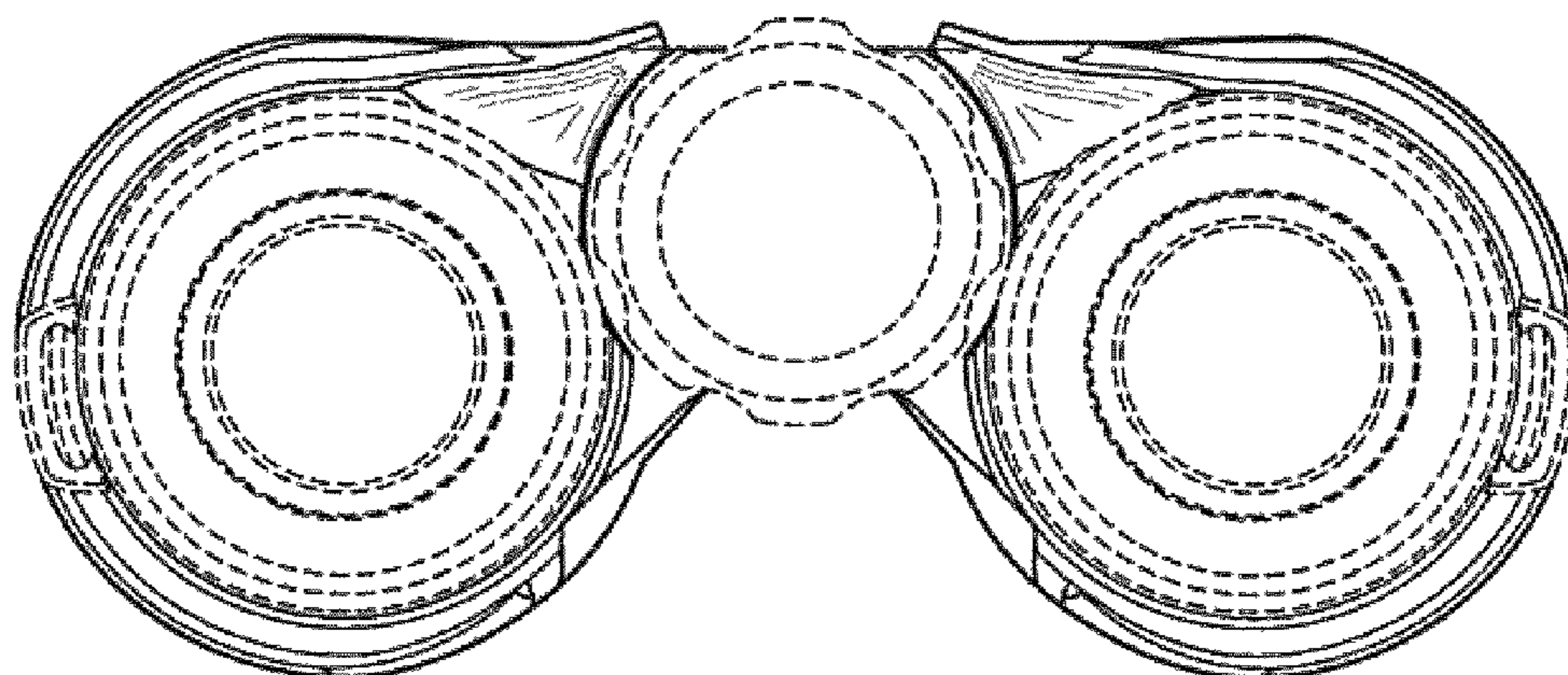


FIG. 3

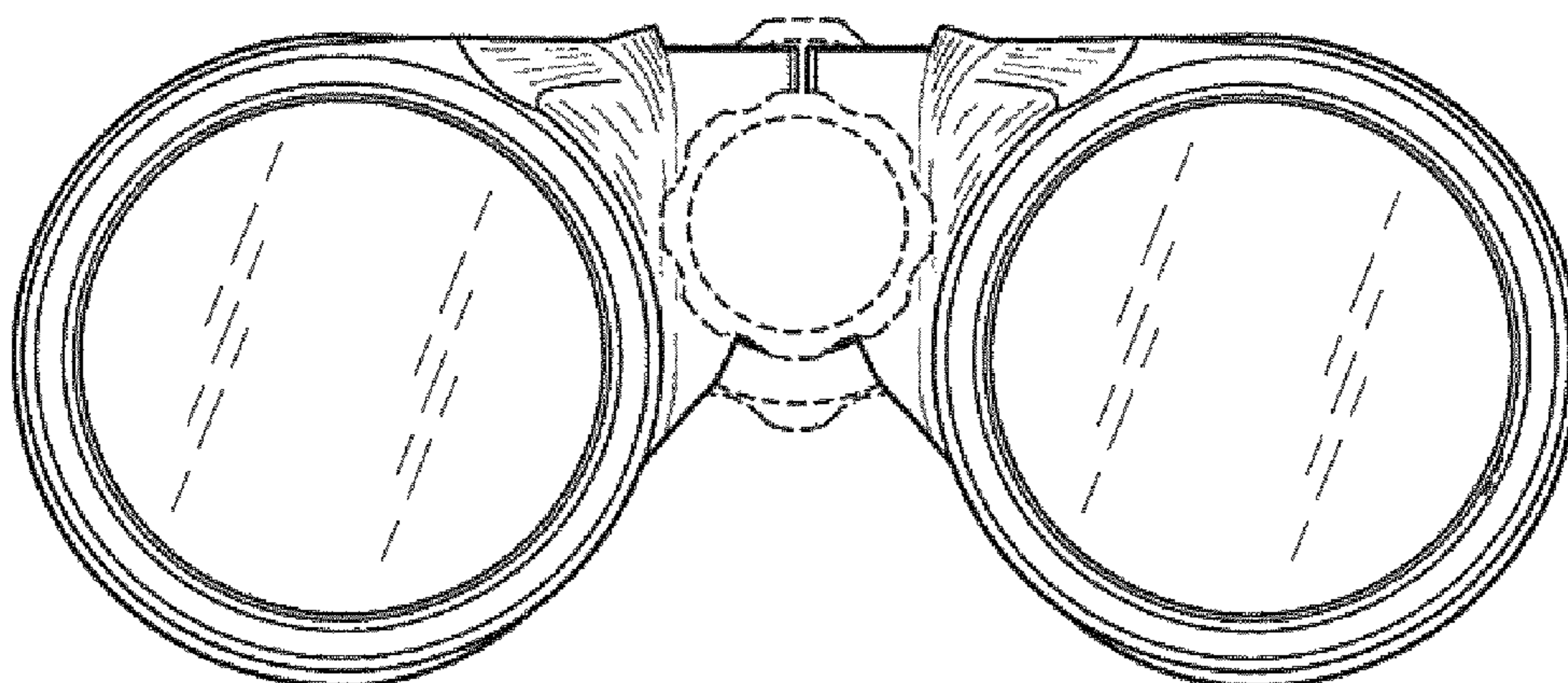


FIG. 4

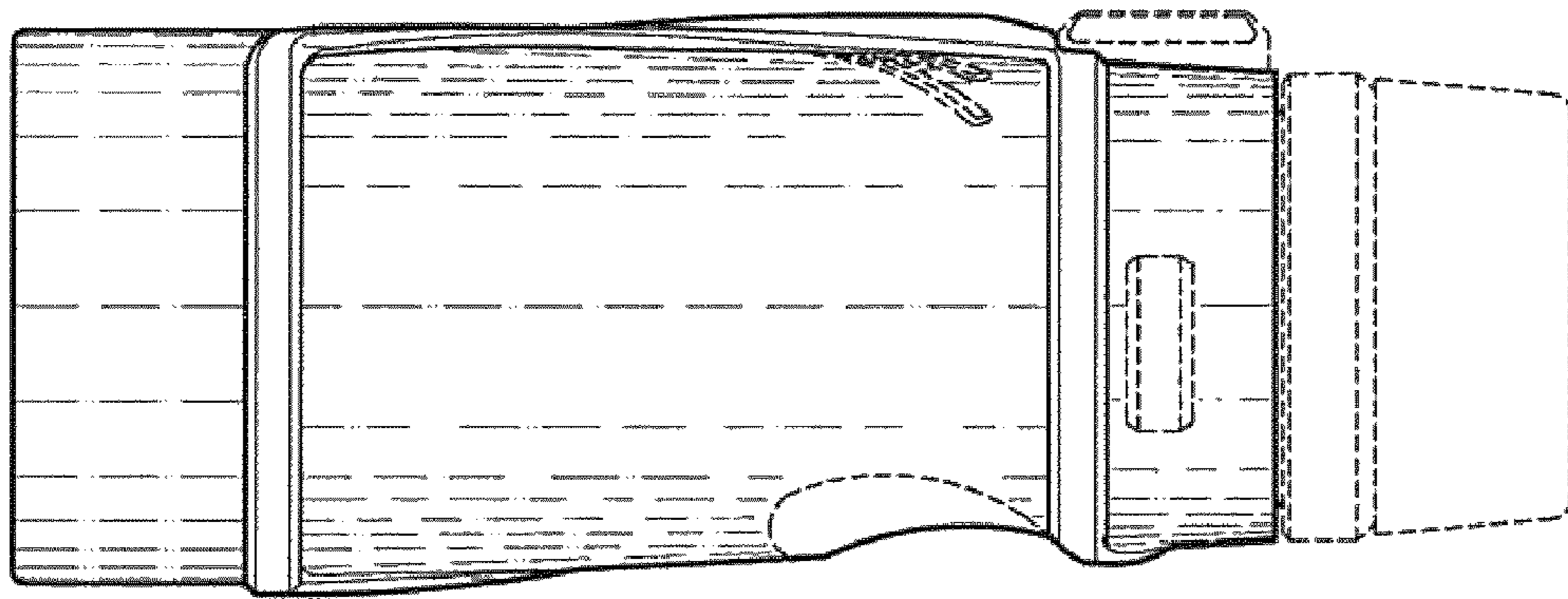


FIG. 5

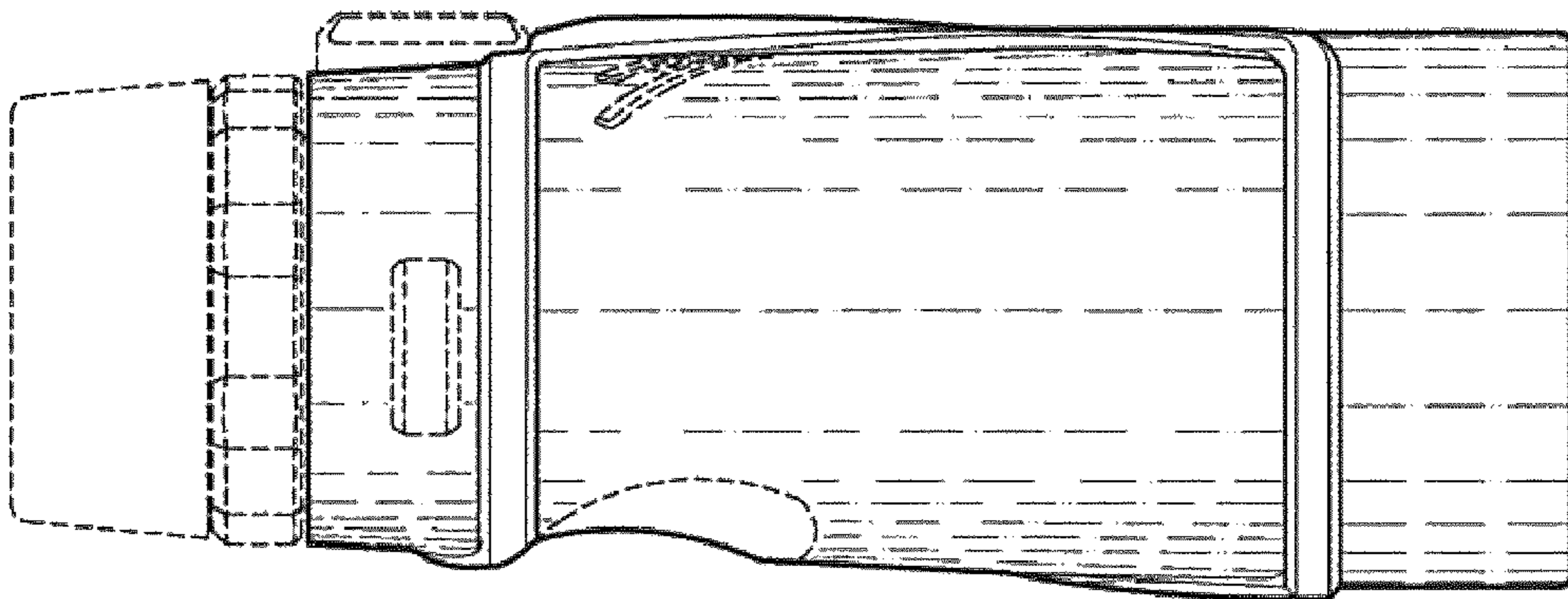


FIG. 6

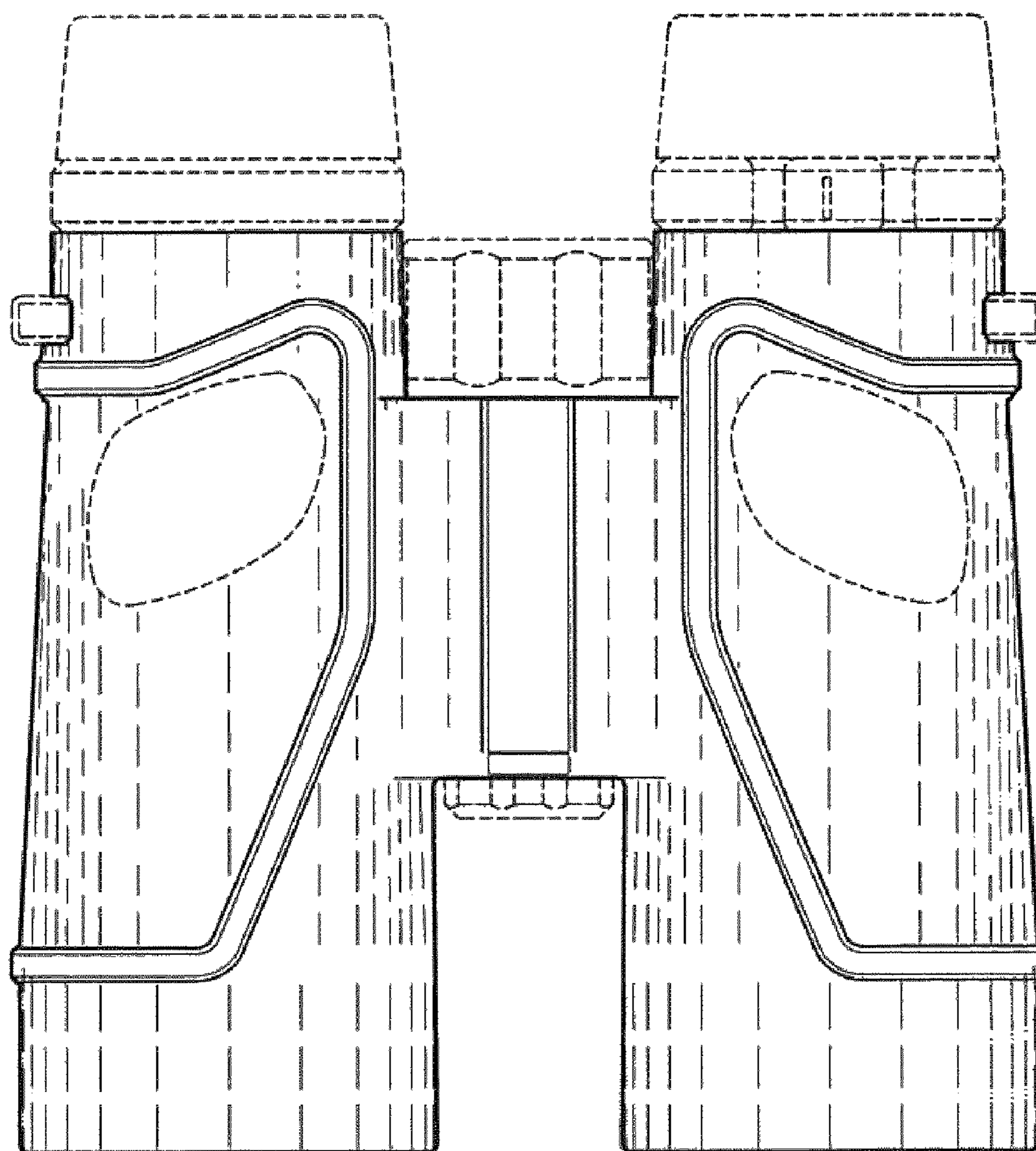


FIG. 7