



US00D651627S

(12) **United States Design Patent**
Long

(10) **Patent No.:** **US D651,627 S**

(45) **Date of Patent:** **** Jan. 3, 2012**

(54) **ROBOT**

(75) **Inventor:** **Bo Long**, Shenzhen (CN)

(73) **Assignee:** **Hon Hai Precision Industry Co., Ltd.**,
Tu-Cheng, New Taipei (TW)

(**) **Term:** **14 Years**

(21) **Appl. No.:** **29/399,448**

(22) **Filed:** **Aug. 15, 2011**

(51) **LOC (9) Cl.** **15-99**

(52) **U.S. Cl.** **D15/199**

(58) **Field of Classification Search** D15/122,
D15/199; D24/176; D34/28, 29, 35; 74/490.01,
74/490.02, 490.03, 490.05; 198/367, 370.1,
198/370.04, 722, 771, 782, 866, 890, 890.1;
219/124.34, 639; 318/560; 414/744.1, 935,
414/936, 937, 938, 940; 700/150

See application file for complete search history.

(56) **References Cited**

U.S. PATENT DOCUMENTS

D279,572 S * 7/1985 Yasuoka et al. D15/199
4,586,868 A * 5/1986 Nakashima et al. 414/735
D300,935 S * 5/1989 Maddock et al. D15/199

5,201,106 A * 4/1993 Moore et al. 29/407.05
5,658,121 A * 8/1997 Hashimoto 414/744.1
D410,477 S * 6/1999 Nihei et al. D15/199
D615,574 S * 5/2010 Liu et al. D15/199
D616,477 S * 5/2010 Long et al. D15/199
D616,909 S * 6/2010 Long D15/199
D629,030 S * 12/2010 Long et al. D15/199
D638,455 S * 5/2011 Long D15/199
D642,352 S * 7/2011 Chen et al. D34/28
2005/0204850 A1 * 9/2005 Nihei et al. 74/490.01

* cited by examiner

Primary Examiner — Patricia Palasik

(74) *Attorney, Agent, or Firm* — Altis Law Group, Inc.

(57) **CLAIM**

The ornamental design for a robot, as shown and described.

DESCRIPTION

FIG. 1 is a perspective view of a robot showing my new design;

FIG. 2 is a front elevational view thereof;

FIG. 3 is a rear elevational view thereof;

FIG. 4 is a left-side elevational view thereof;

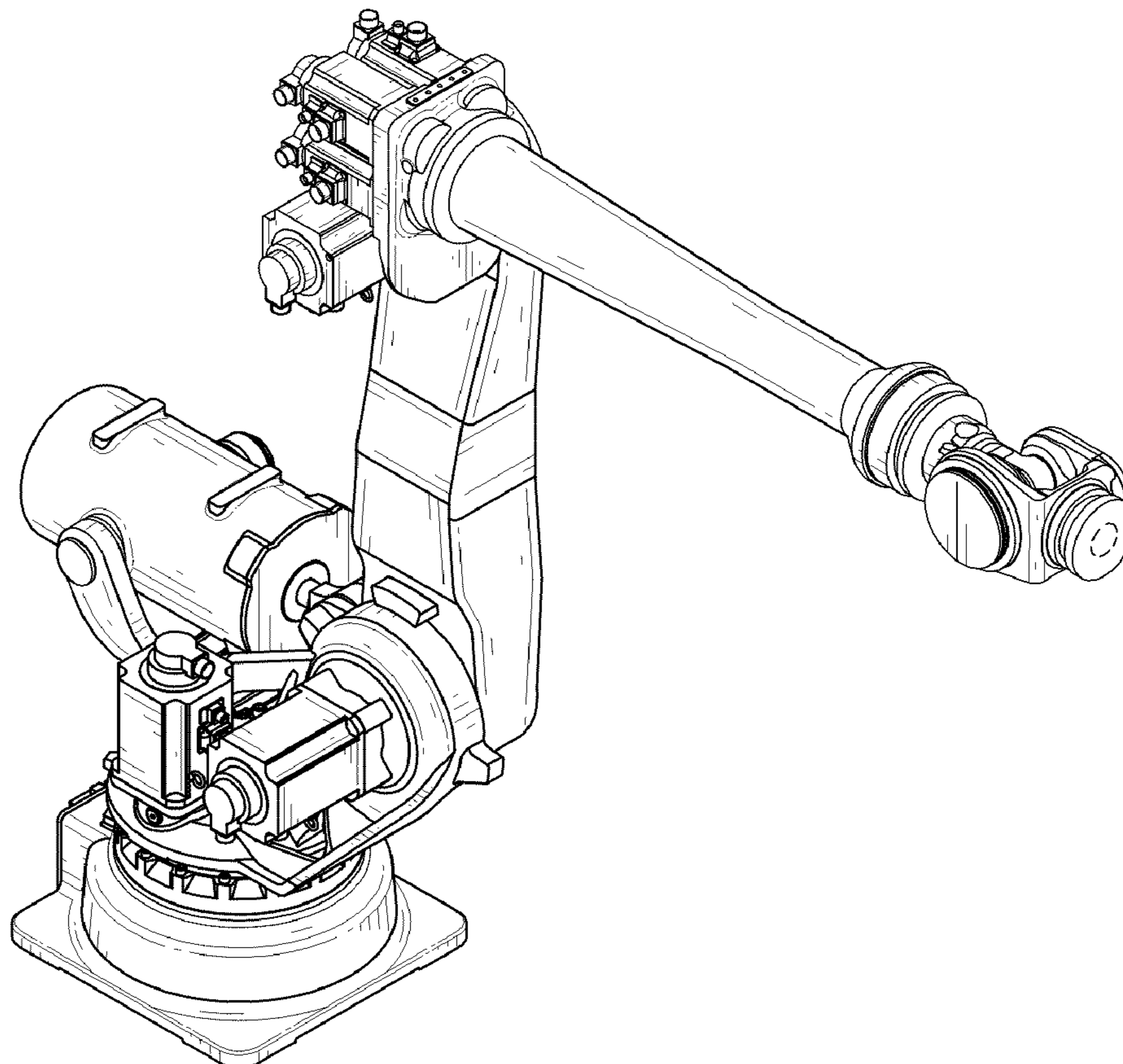
FIG. 5 is a right-side elevational view thereof;

FIG. 6 is a top plan view thereof; and,

FIG. 7 is a bottom plan view thereof.

The broken lines are for illustrative purposes only and form no part of the claimed design.

1 Claim, 7 Drawing Sheets



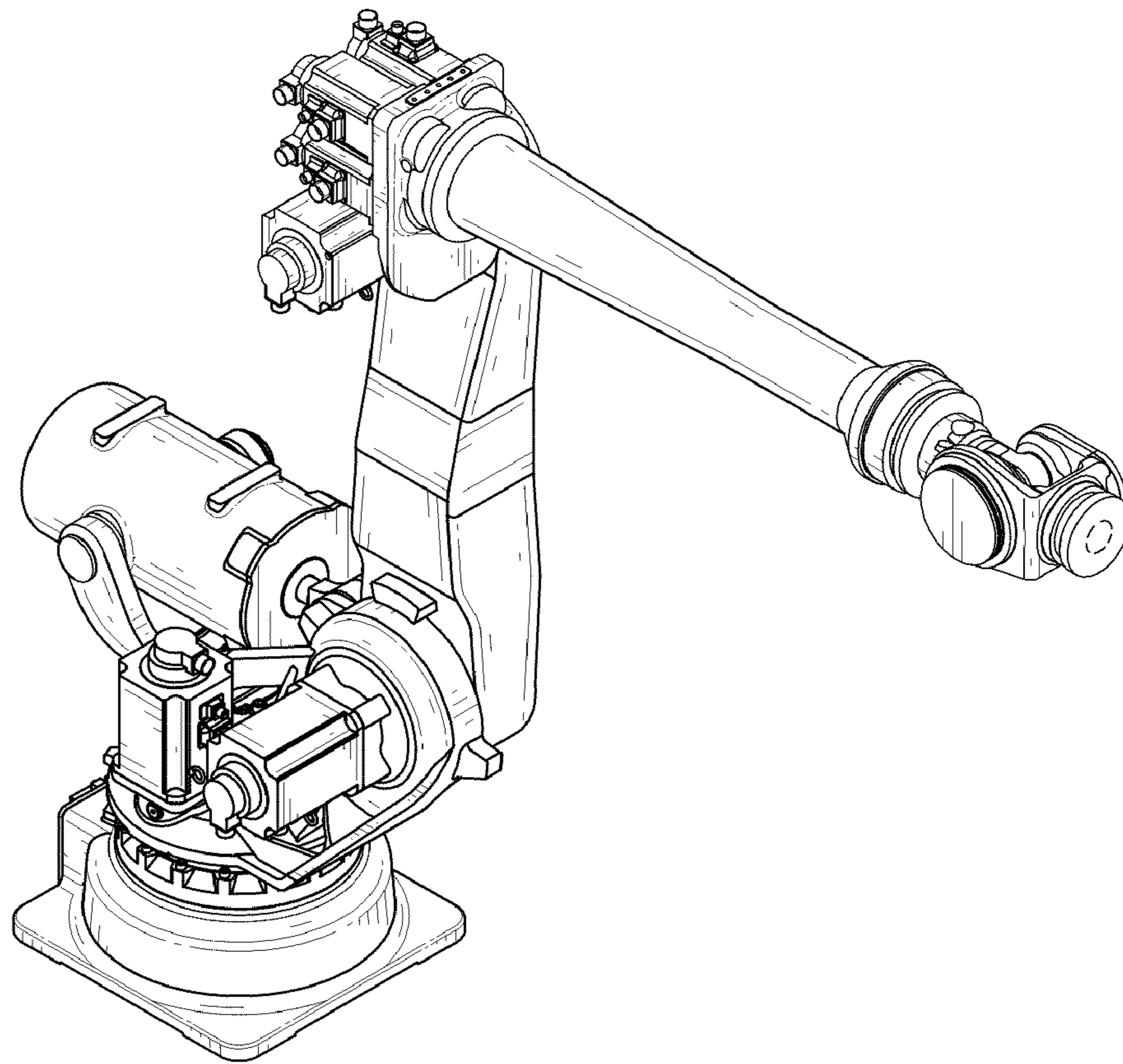


FIG. 1

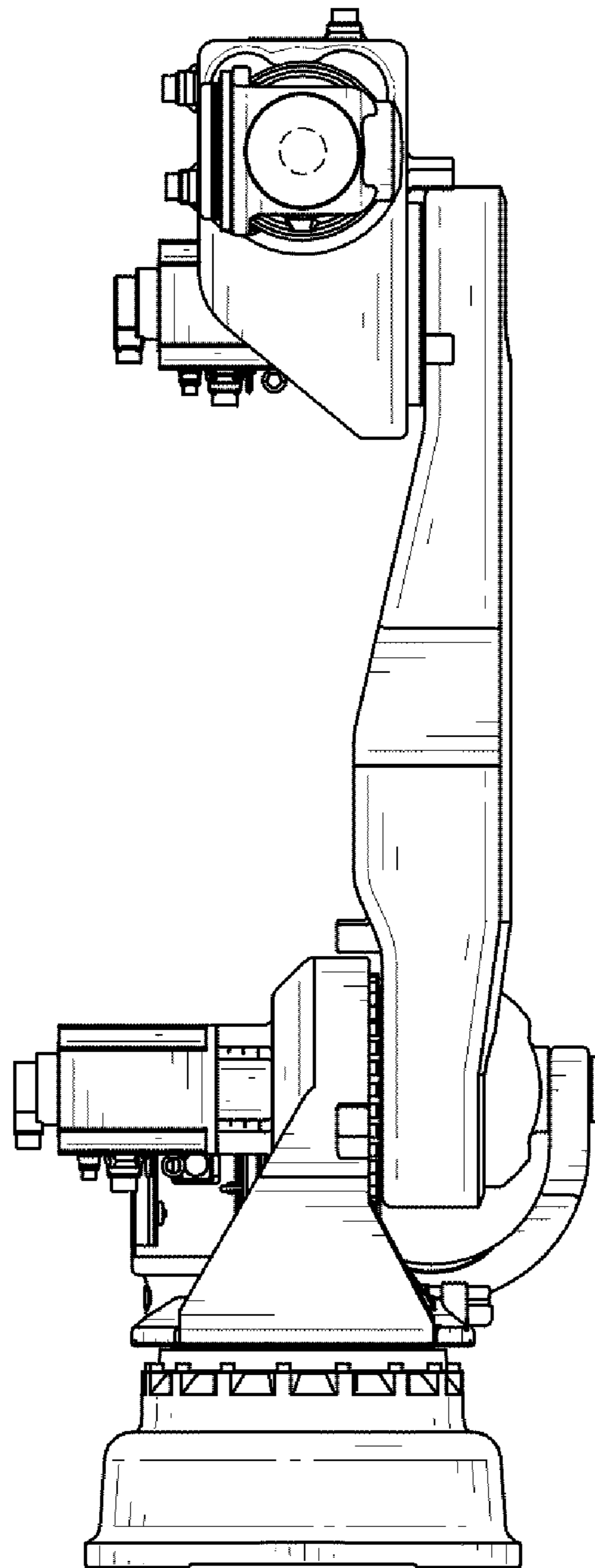


FIG. 2

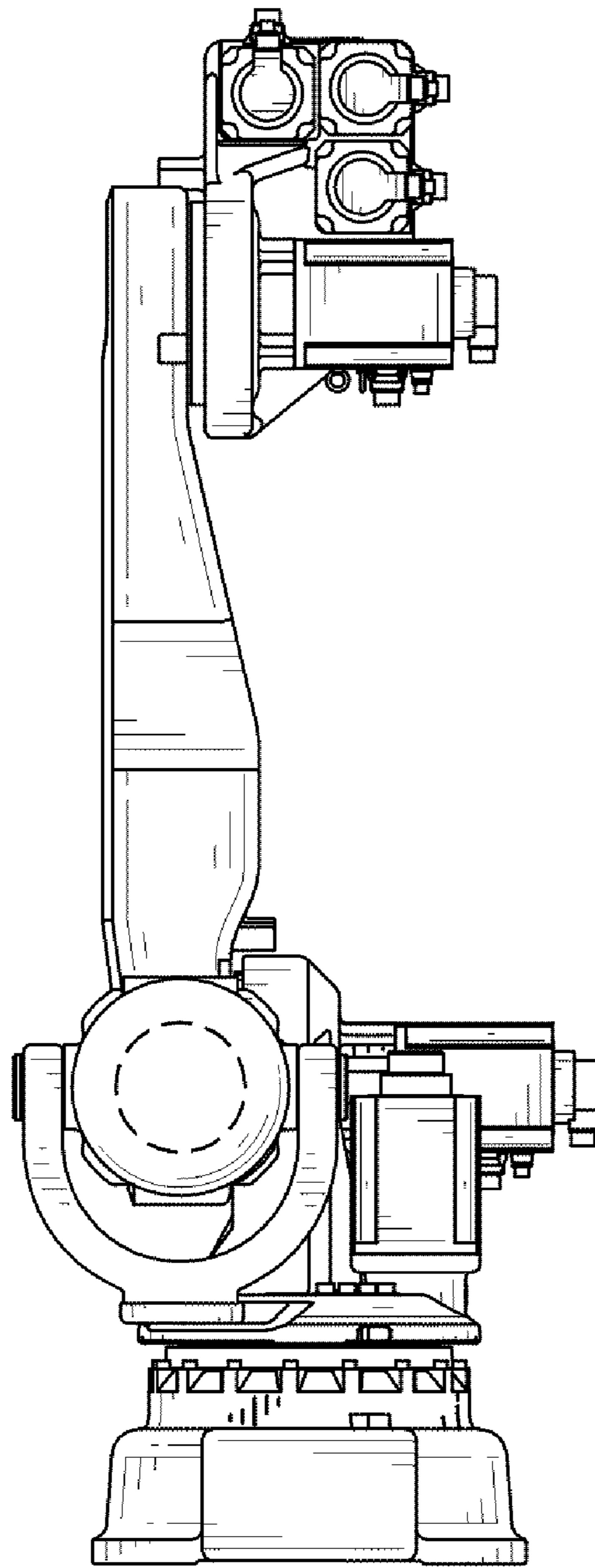


FIG. 3

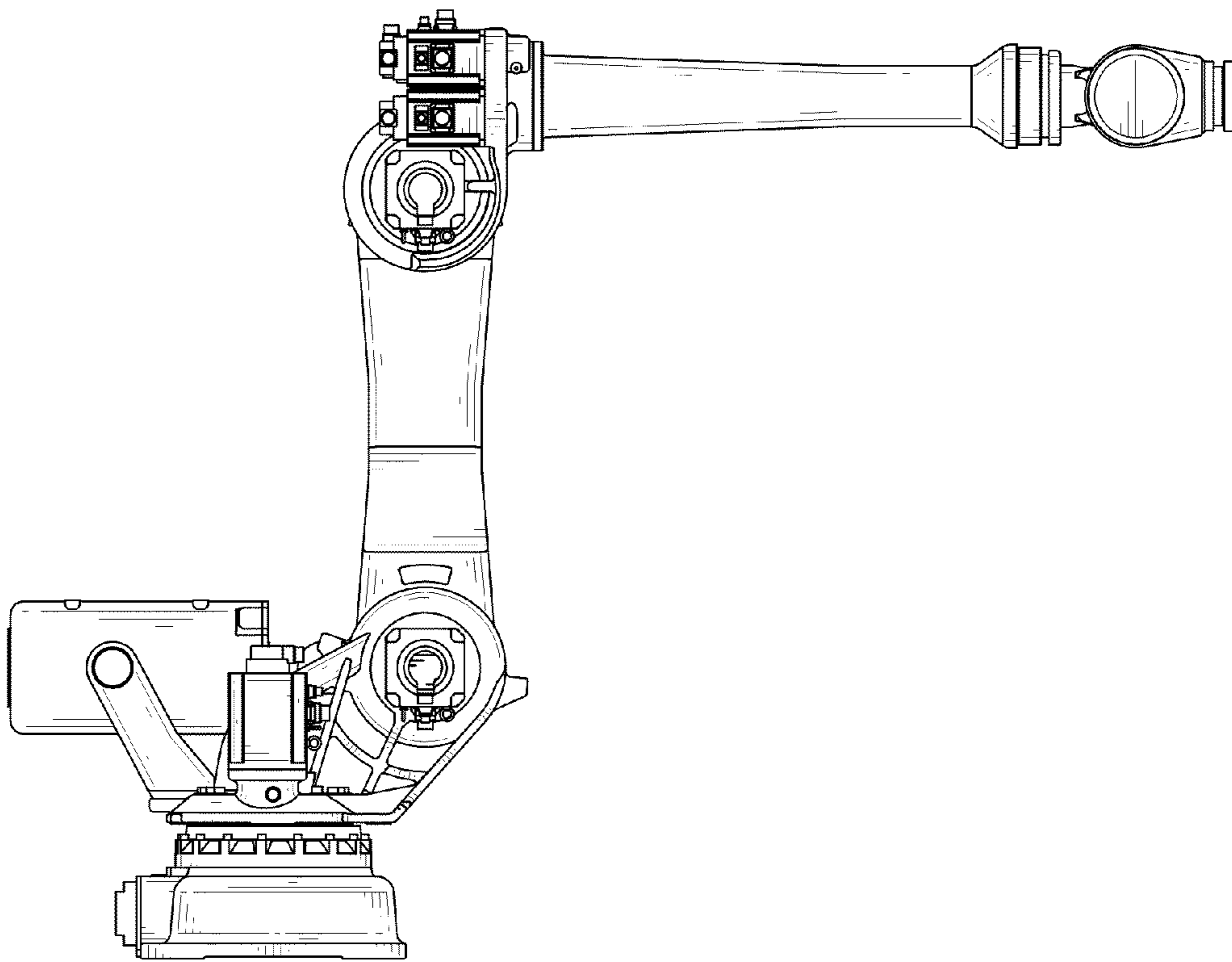


FIG. 4

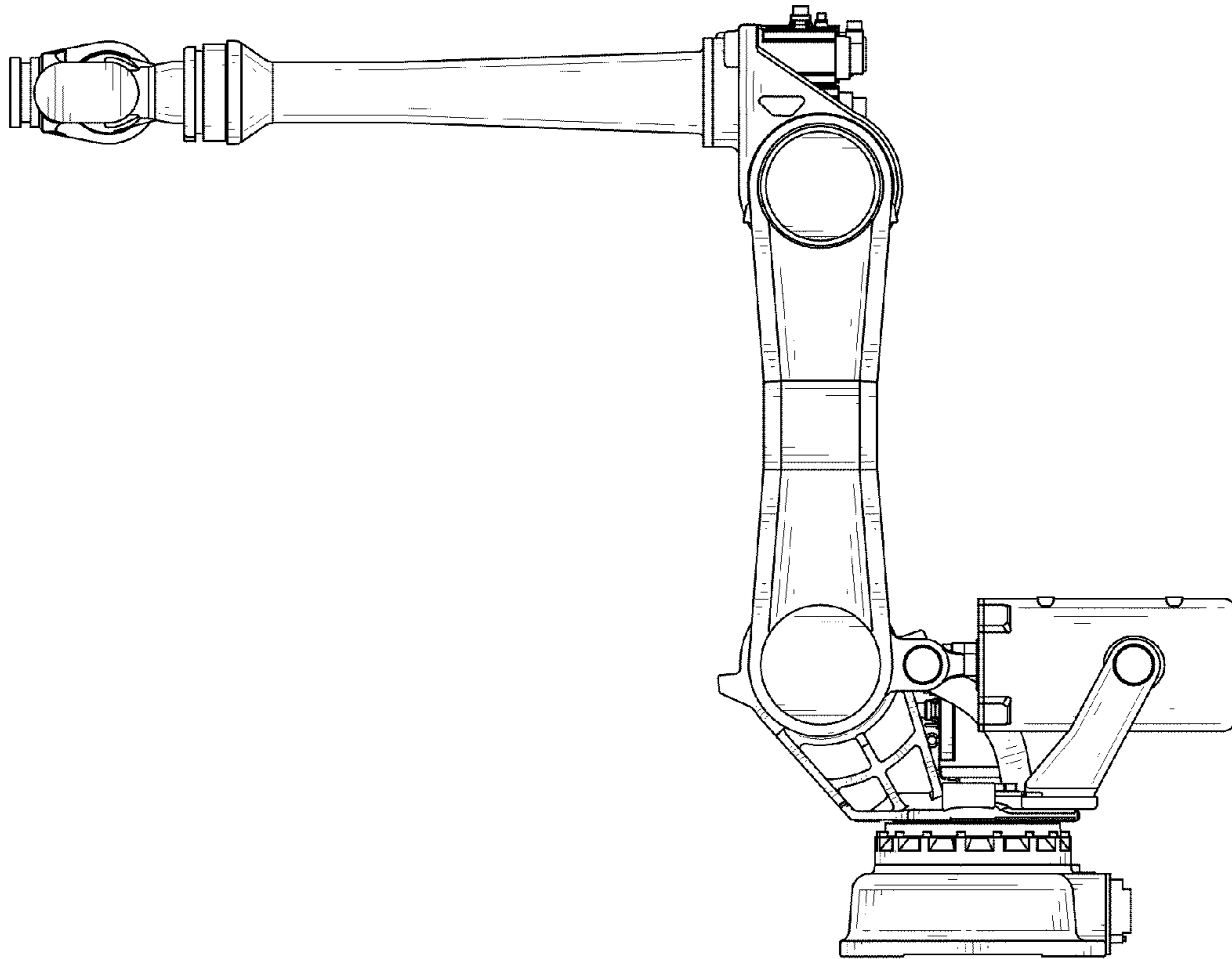


FIG. 5

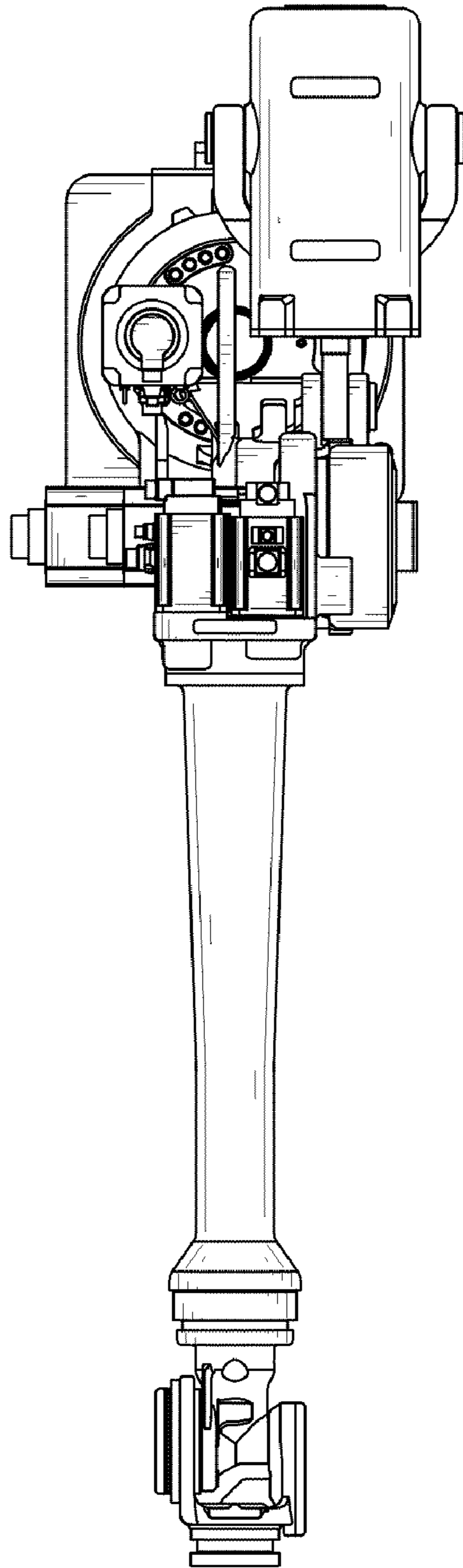


FIG. 6

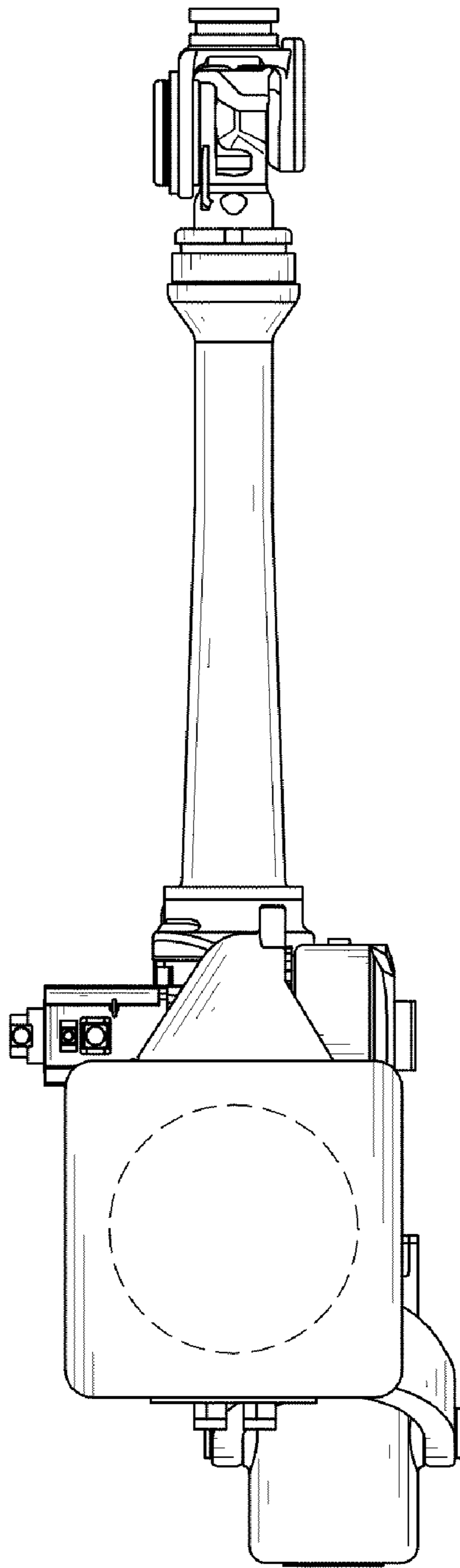


FIG. 7