



US00D651623S

(12) **United States Design Patent**
Stillwell et al.

(10) **Patent No.:** **US D651,623 S**

(45) **Date of Patent:** **** Jan. 3, 2012**

(54) **PLASTIC MOULDING MACHINE**

(75) Inventors: **Nicholas Stillwell**, London (GB); **Alfred Rodlsberger**, Plesendorf (AT)

(73) Assignee: **Upcycle Holdings Limited**, Dublin (IE)

(**) Term: **14 Years**

(21) Appl. No.: **29/354,057**

(22) Filed: **Jan. 19, 2010**

(30) **Foreign Application Priority Data**

Jul. 21, 2009 (EM) 001154868-0001

(51) **LOC (9) Cl.** **15-09**

(52) **U.S. Cl.** **D15/135**

(58) **Field of Classification Search** D15/135,
D15/136, 137; 264/51; 425/135, 146, 171,
425/181, 218, 436 RM, 542, 543, 547, 556;
428/71

See application file for complete search history.

(56) **References Cited**

U.S. PATENT DOCUMENTS

| | | | |
|---------------|---------|-----------------------|---------|
| D119,612 S * | 3/1940 | Ernst et al. | D15/135 |
| D139,721 S * | 12/1944 | Kilburn et al. | D15/135 |
| D153,578 S * | 5/1949 | Bohannon | D15/135 |
| D208,431 S * | 8/1967 | Paulson, Jr. | D15/135 |
| D266,327 S * | 9/1982 | Haight et al. | D15/135 |
| 4,385,877 A * | 5/1983 | Tanabe | 425/3 |
| 4,425,091 A * | 1/1984 | Prince | 425/589 |
| D296,701 S * | 7/1988 | Lindell | D15/135 |
| D331,248 S * | 11/1992 | Yeh | D15/135 |
| D336,479 S * | 6/1993 | Shinagawa et al. | D15/135 |
| 5,295,964 A * | 3/1994 | Gauthier | |
| D357,484 S * | 4/1995 | Montague et al. | D15/135 |
| 6,042,757 A * | 3/2000 | Abe et al. | 264/28 |

| | | | |
|-------------------|---------|-----------------------|---------|
| D617,356 S * | 6/2010 | Wang | D15/135 |
| 2005/0230376 A1 | 10/2005 | Gomez | |
| 2007/0077329 A1 * | 4/2007 | Okumura | 425/589 |
| 2008/0303183 A1 * | 12/2008 | Rote et al. | 264/219 |
| 2011/0081516 A1 * | 4/2011 | Stillwell et al. | 428/71 |

FOREIGN PATENT DOCUMENTS

| | | |
|----|---------------|---------|
| DE | 2515889 | 10/1976 |
| GB | 2248106 A | 3/1992 |
| WO | 2005056089 A2 | 6/2005 |

OTHER PUBLICATIONS

International Search Report International Application No. PCT/GB2008/002507 Date of Mailing: May 11, 2008.

* cited by examiner

Primary Examiner — Patricia Palasik

(74) *Attorney, Agent, or Firm* — Luedeka, Neely & Graham, PC

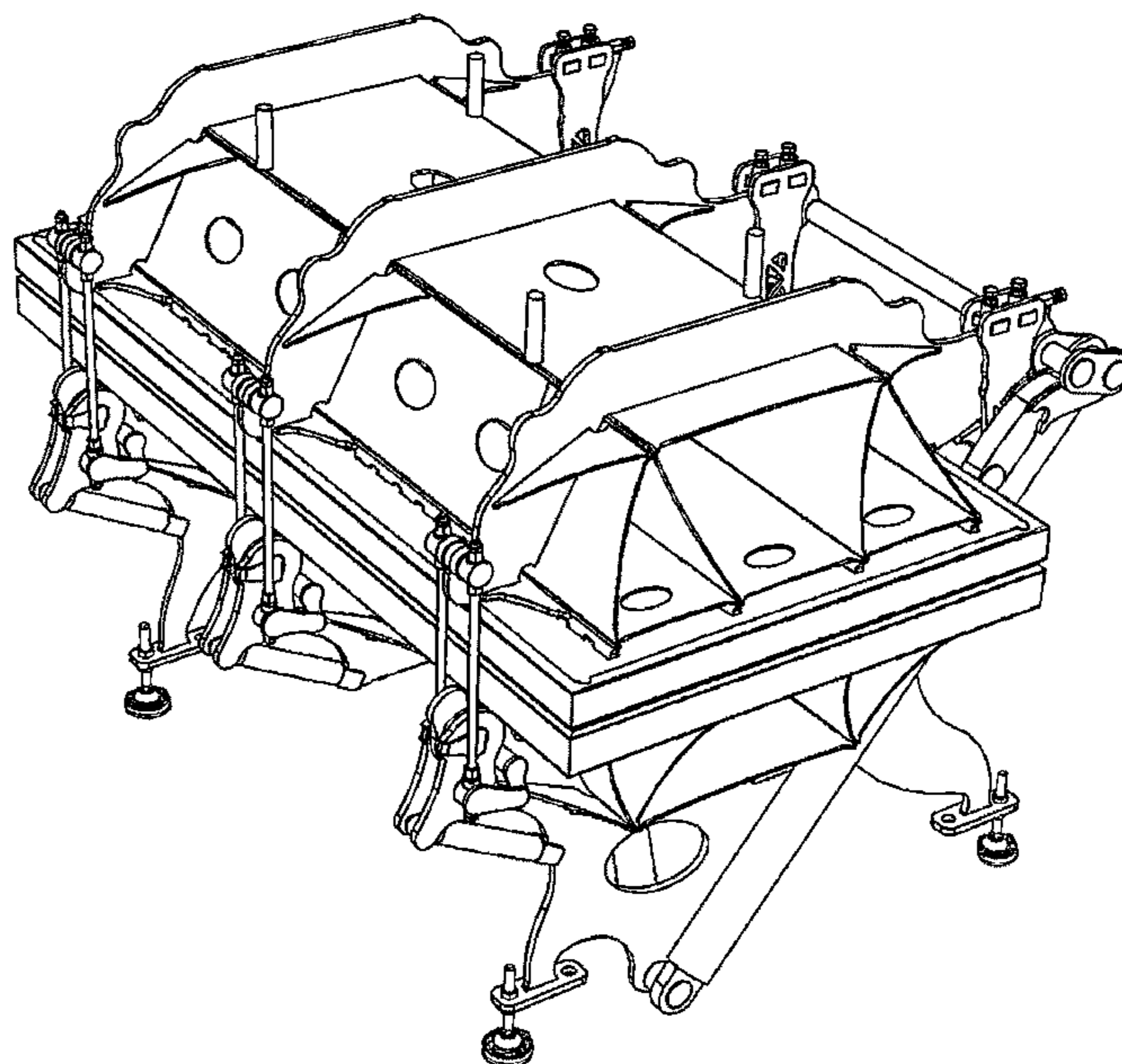
(57) **CLAIM**

The ornamental design of a plastic moulding machine, as shown and described.

DESCRIPTION

FIG. 1 is front perspective view of the moulding machine of our new design, with the machine in a closed orientation; FIG. 2 is a front plan view of the moulding machine of FIG. 1; FIG. 3 is a rear plan view of the moulding machine of FIG. 1; FIG. 4 is a top plan view of the moulding machine of FIG. 1; FIG. 5 is a bottom plan view of the moulding machine of FIG. 1; FIG. 6 is a left side view of the moulding machine of FIG. 1; and, FIG. 7 is an upper perspective of the moulding machine of our new design, with the machine in an open orientation;

1 Claim, 7 Drawing Sheets



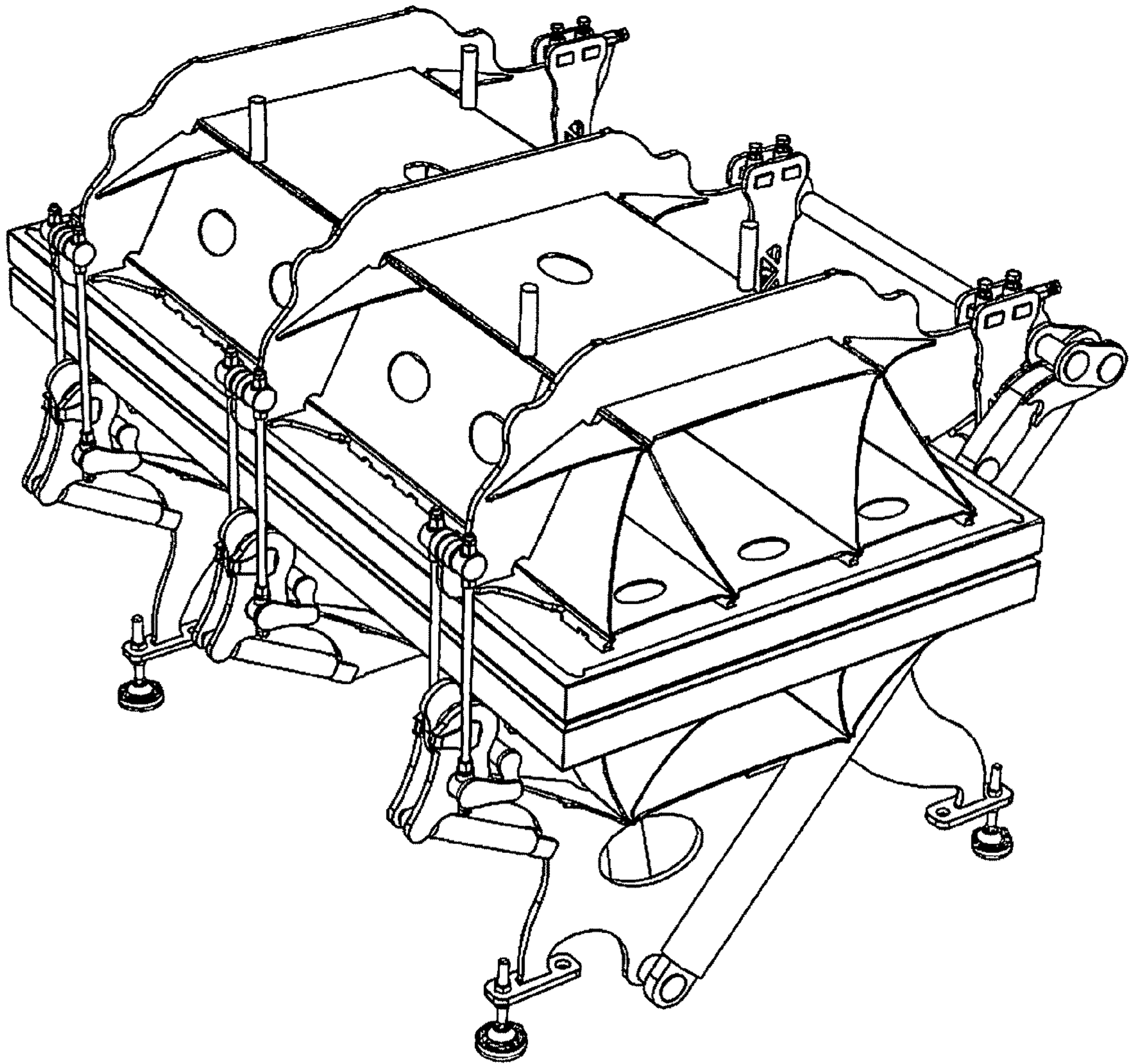


FIG. 1

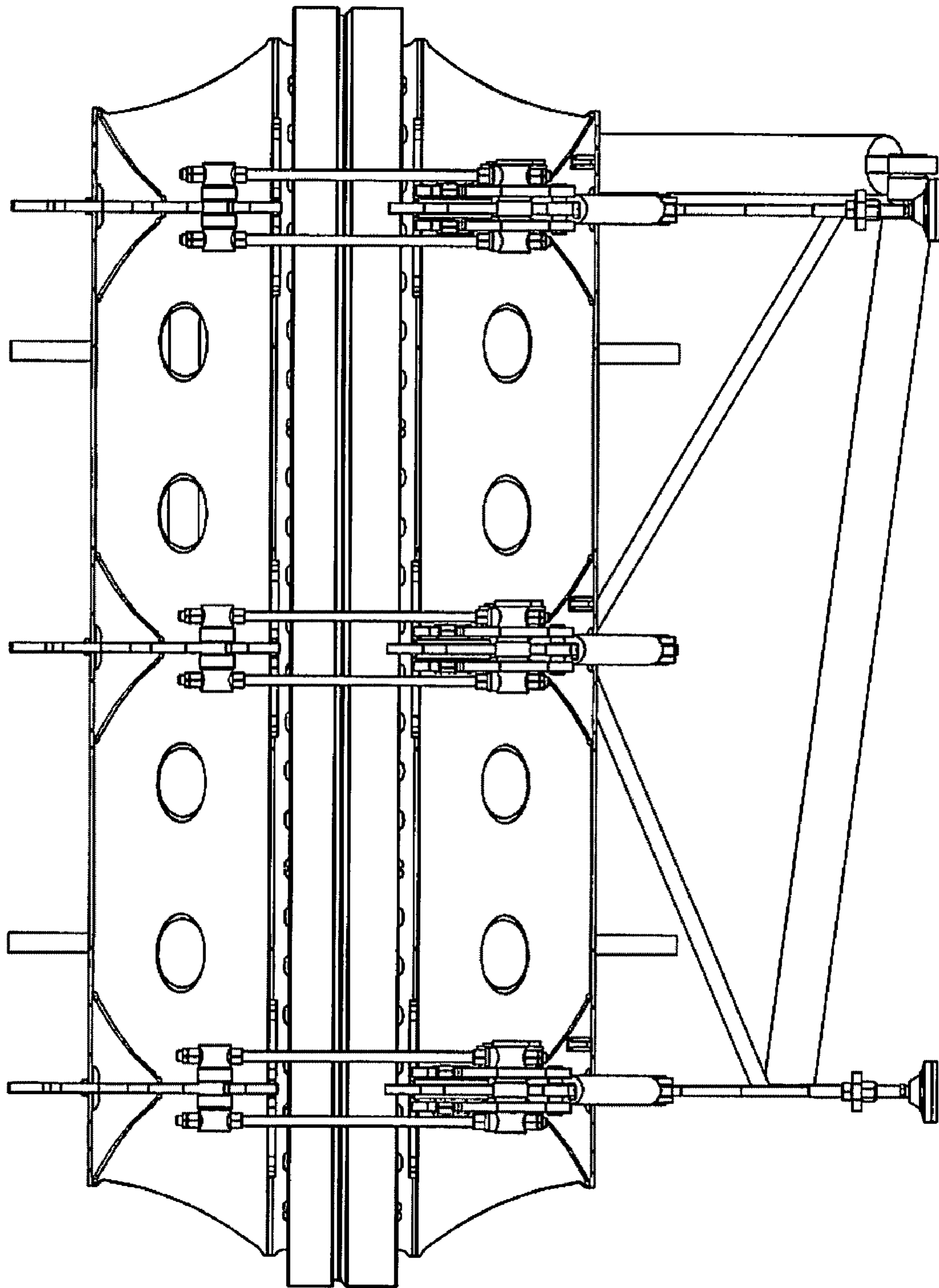


FIG. 2

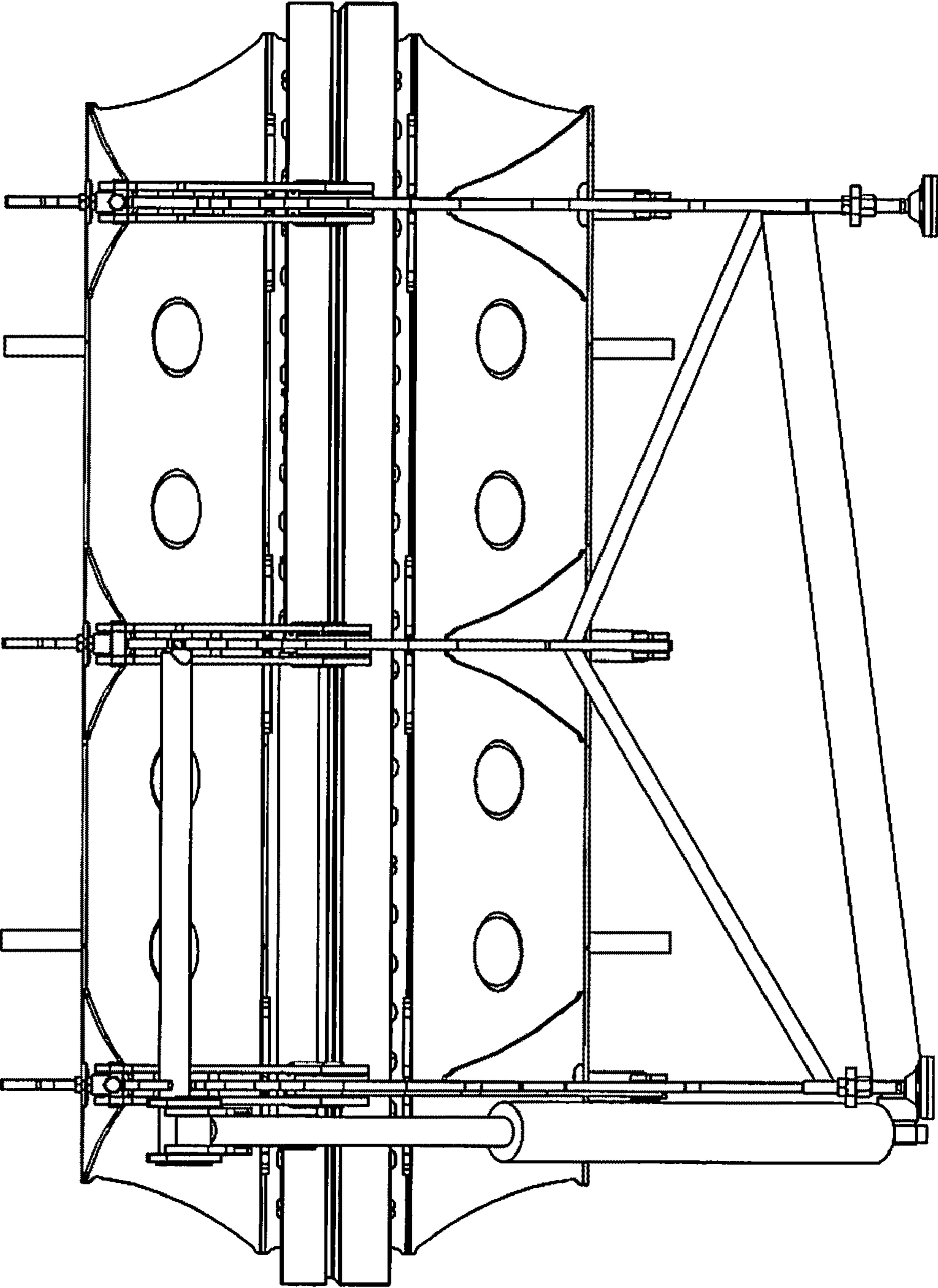


FIG. 3

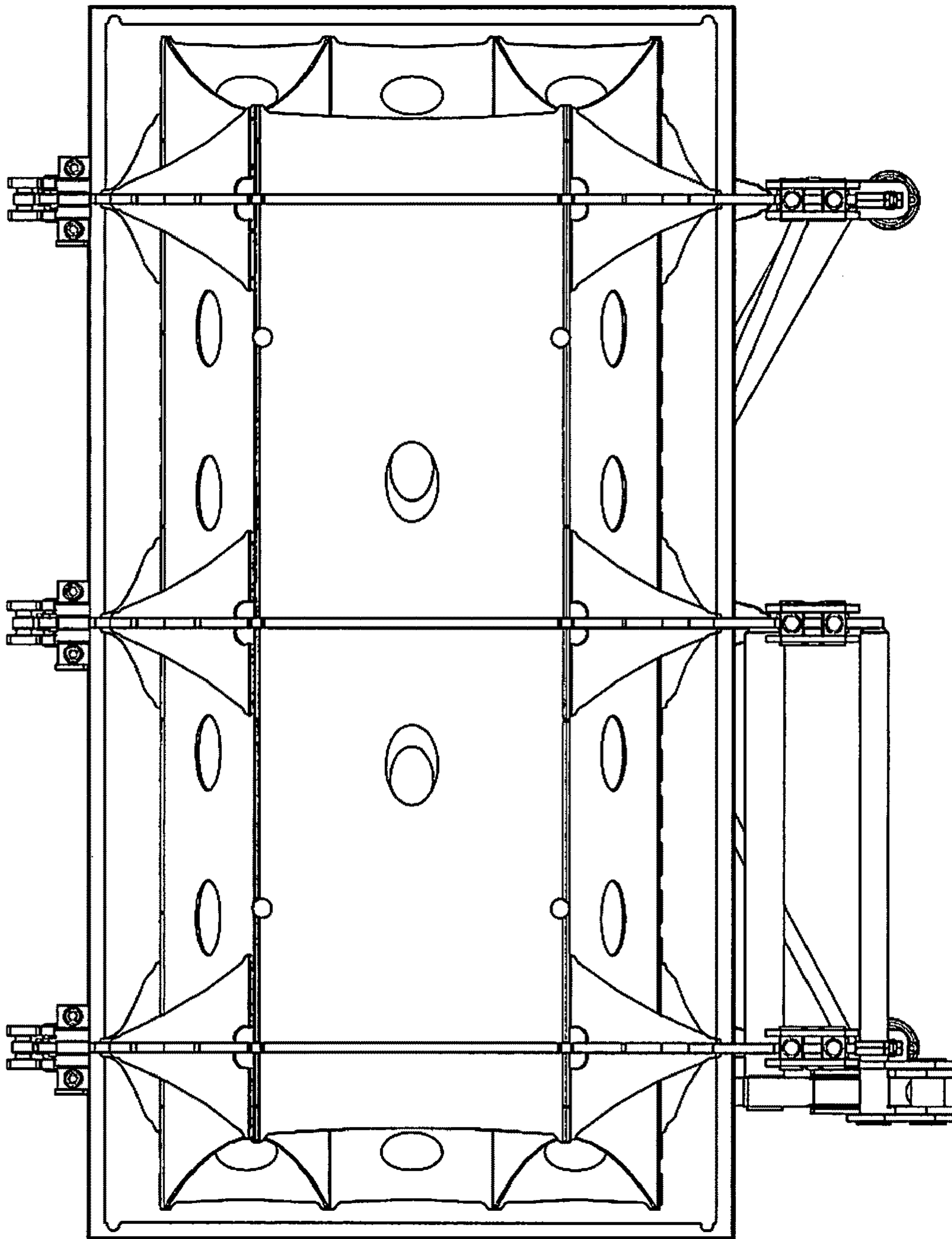


FIG. 4

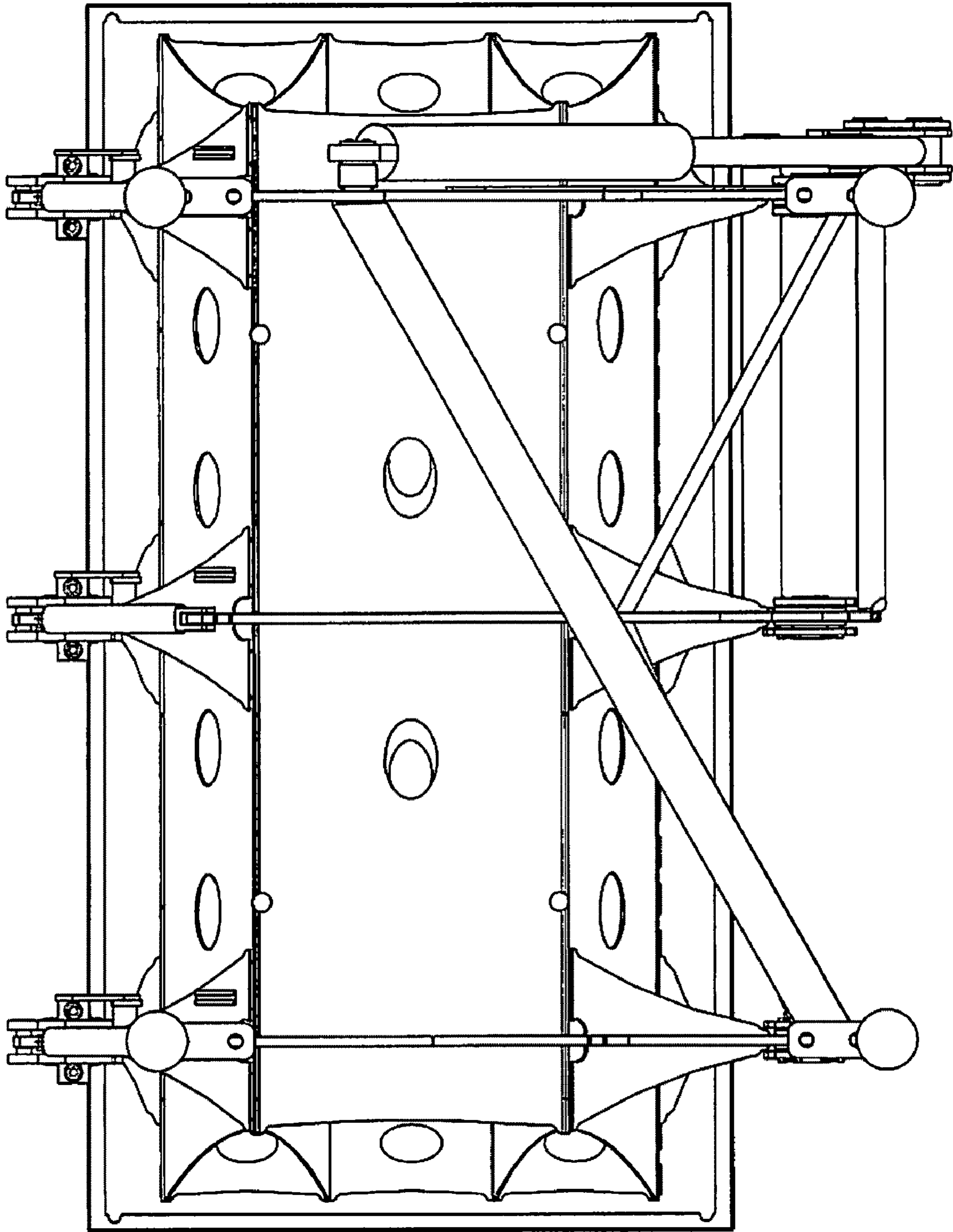


FIG. 5

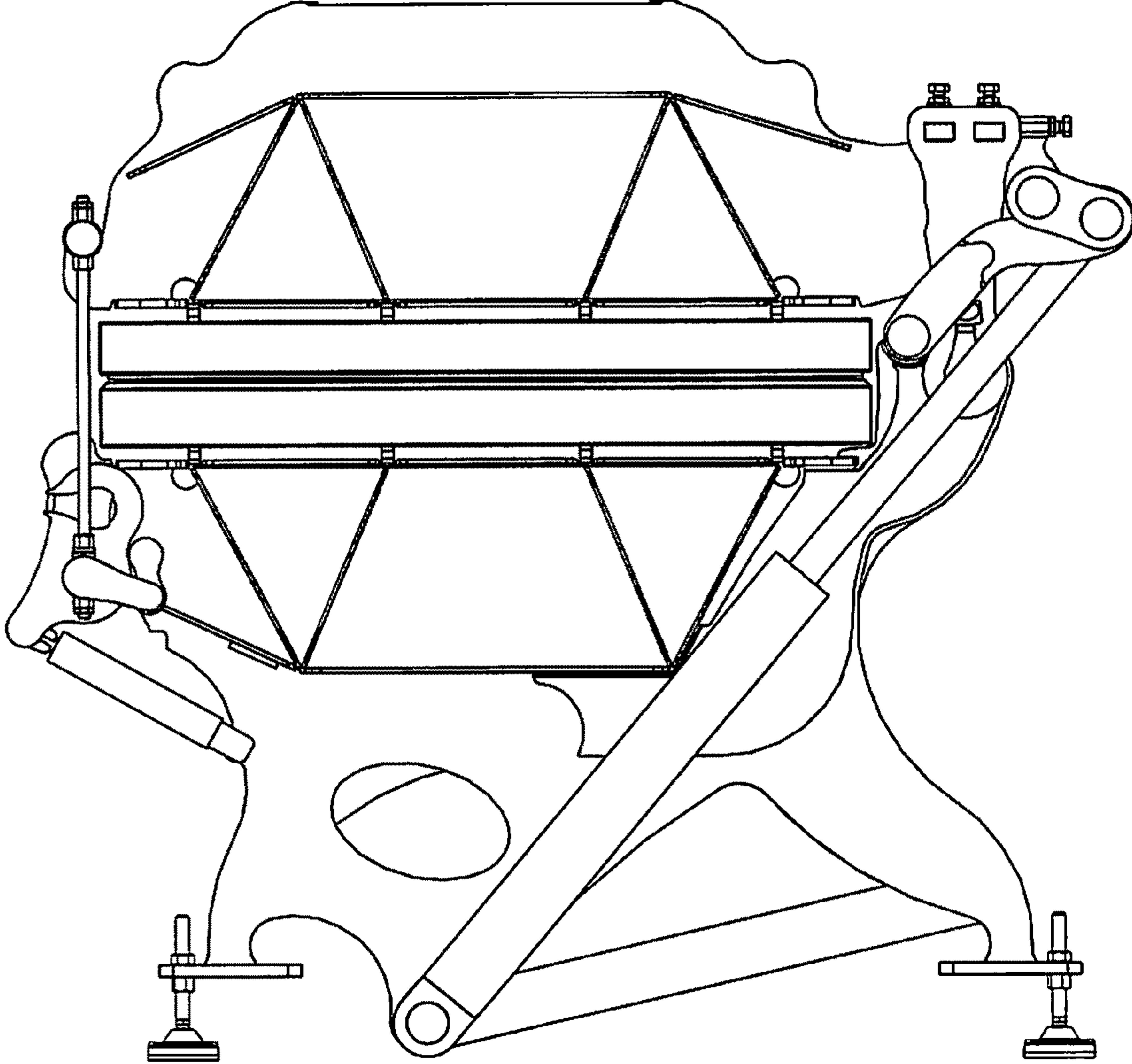


FIG. 6

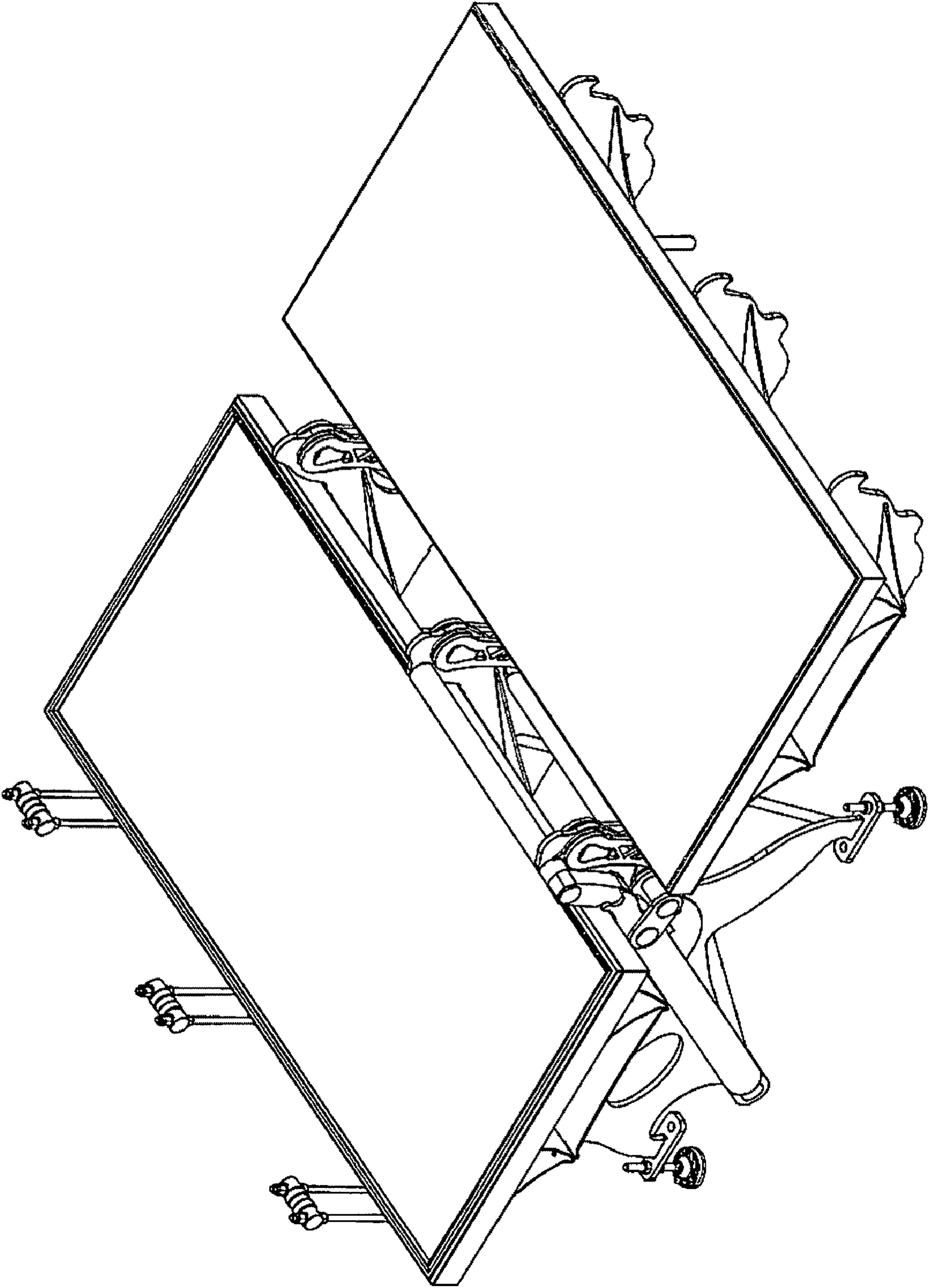


FIG. 7