



US00D651622S

(12) **United States Design Patent**
Tobler

(10) **Patent No.:** **US D651,622 S**
(45) **Date of Patent:** **** Jan. 3, 2012**

(54) **HAMMER MILL**

(75) Inventor: **Marco Tobler**, St. Gallen (CH)

(73) Assignee: **Buhler AG**, Uzwil (CH)

(**) Term: **14 Years**

(21) Appl. No.: **29/364,520**

(22) Filed: **Jun. 24, 2010**

(30) **Foreign Application Priority Data**

Jan. 15, 2010 (WO) 529768401

(51) **LOC (9) Cl.** **15-09**

(52) **U.S. Cl.** **D15/131**

(58) **Field of Classification Search** D15/124,
D15/125, 126; 241/46.02, 56, 74, 92, 154,
241/189.1, 194, 195, 291

See application file for complete search history.

(56) **References Cited**

U.S. PATENT DOCUMENTS

D205,298 S * 7/1966 Milner, Jr. D15/125
D207,424 S * 4/1967 Fossella D15/124
3,946,952 A * 3/1976 Martin 241/56
D244,756 S * 6/1977 Granzow D15/124
5,240,190 A * 8/1993 Johnson 241/74

2005/0035234 A1 * 2/2005 Roozeboom et al. 241/195
2009/0108110 A1 * 4/2009 Brick et al. 241/28
2010/0019074 A1 * 1/2010 Chen 241/189.1

OTHER PUBLICATIONS

“Hammer Mill with Feeder” product data sheet, DFZC-655 N/F, DFZE-1265 N/F with feeder, DFZC-400/600, Buhler AG, Uzwil Switzerland, Mar. 2003.
<http://www.buhlergroup.com/northamerica/en/products/hammer-mill-dfzc.htm>.

* cited by examiner

Primary Examiner — Patricia Palasik

(74) *Attorney, Agent, or Firm* — Shoemaker and Mattare

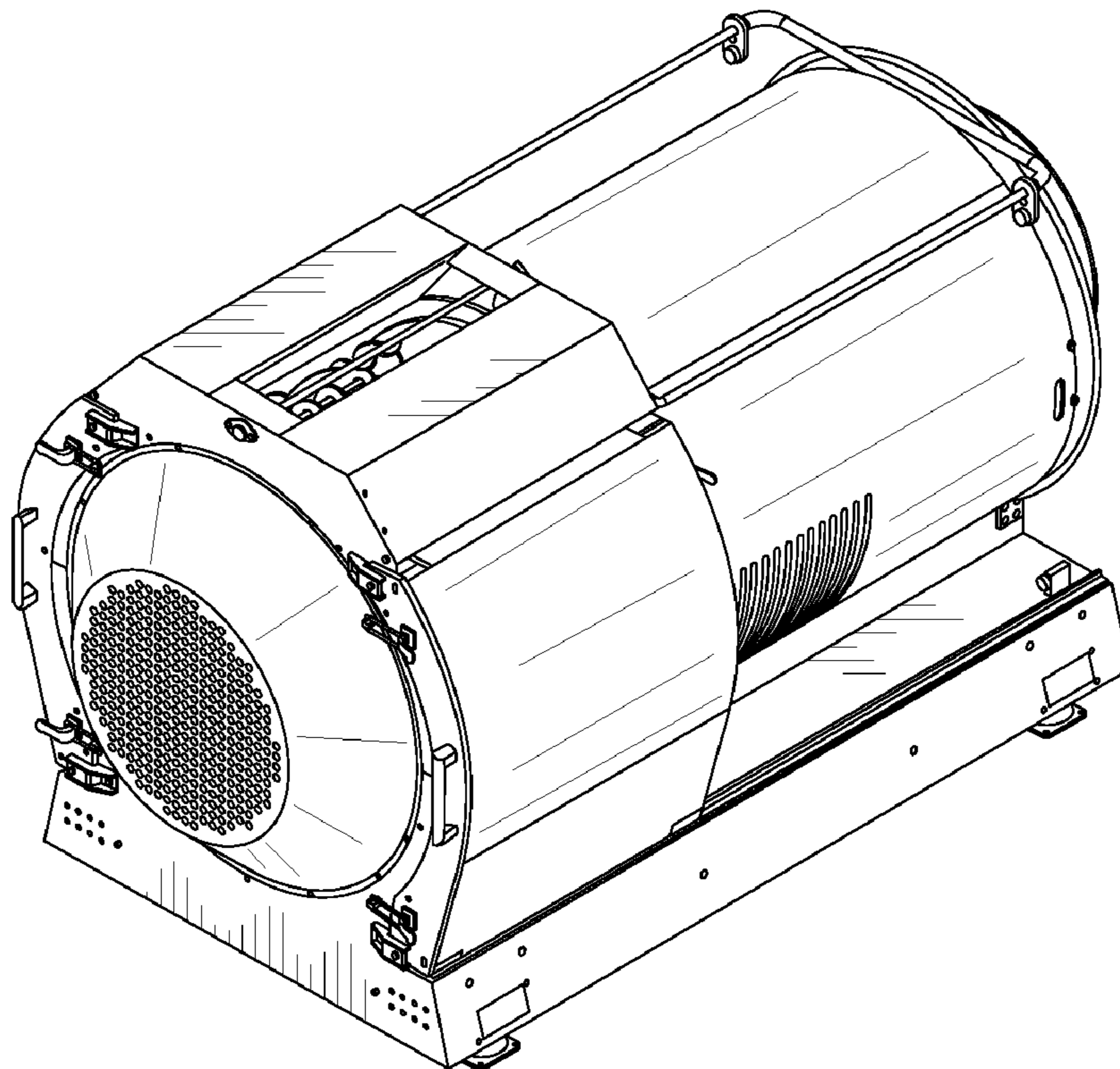
(57) **CLAIM**

The ornamental design for a hammer mill, as shown and described.

DESCRIPTION

FIG. 1 is a front elevational view of a hammer mill, showing my new design;
FIG. 2 is a rear elevational view thereof;
FIG. 3 is a left side elevational view thereof;
FIG. 4 is a right side elevational view thereof;
FIG. 5 is a top plan view thereof;
FIG. 6 is a bottom plan view thereof; and,
FIG. 7 is a perspective view thereof, taken from the rear, right side and top.

1 Claim, 2 Drawing Sheets



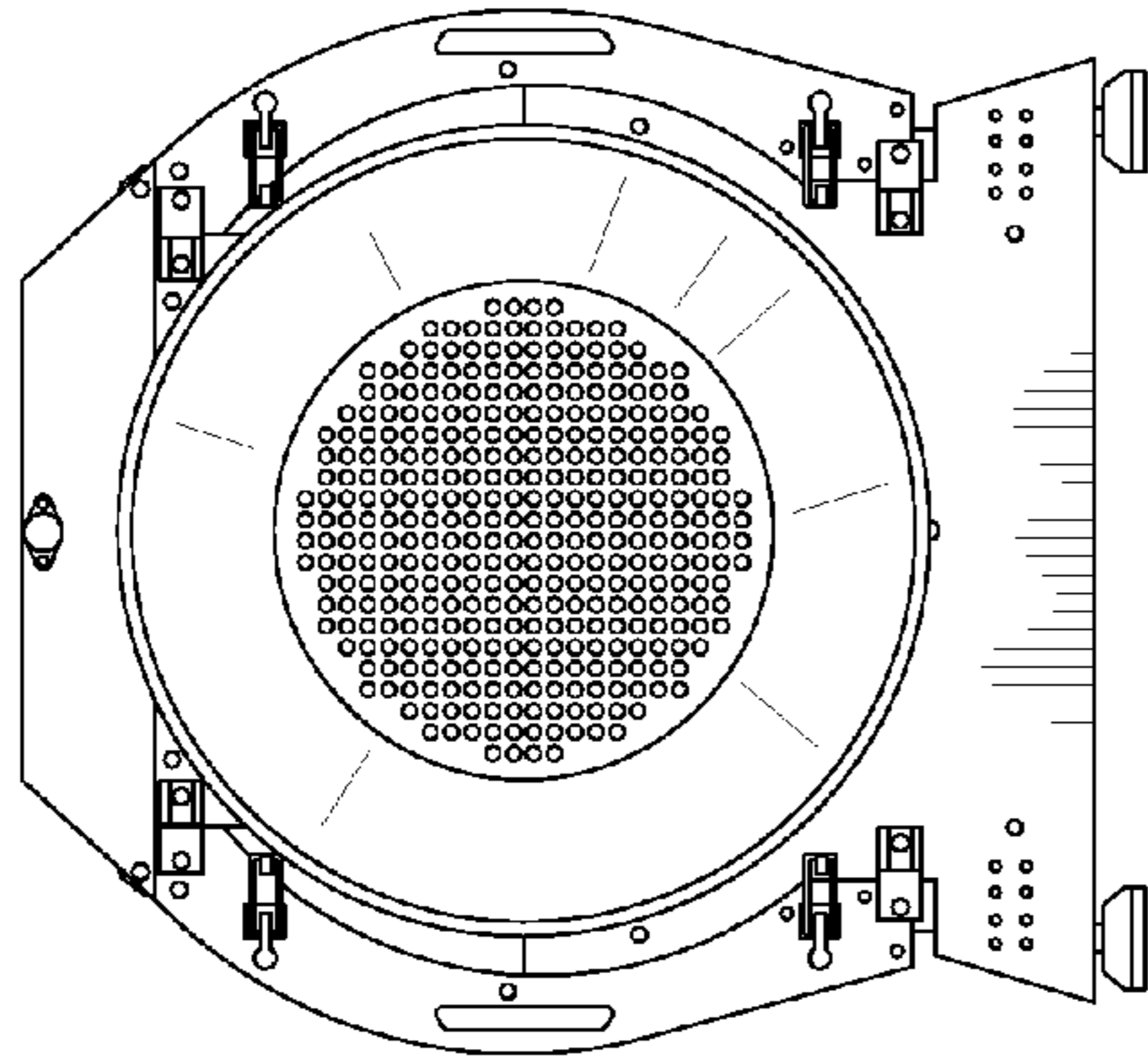


FIG. 2

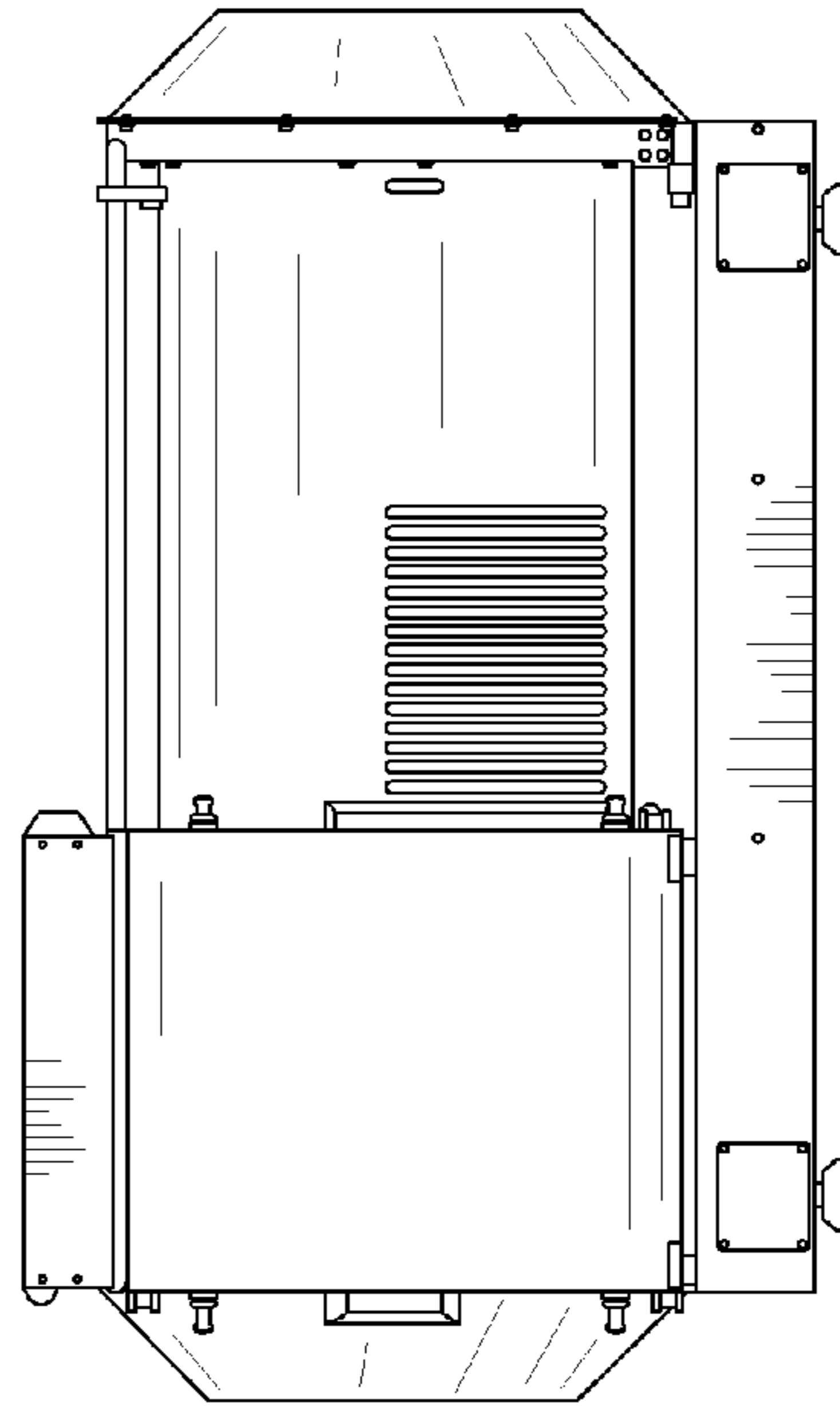


FIG. 4

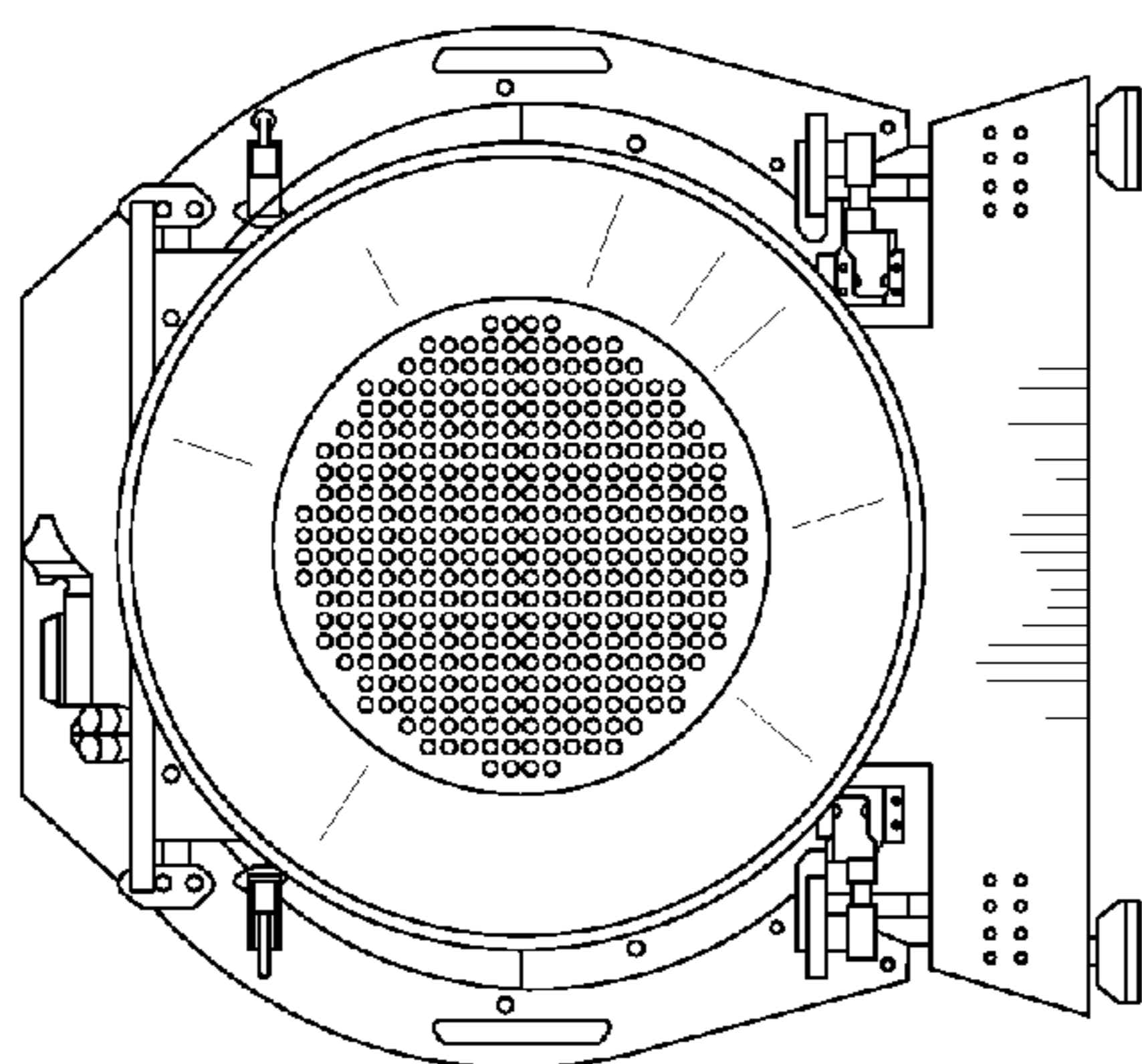


FIG. 1

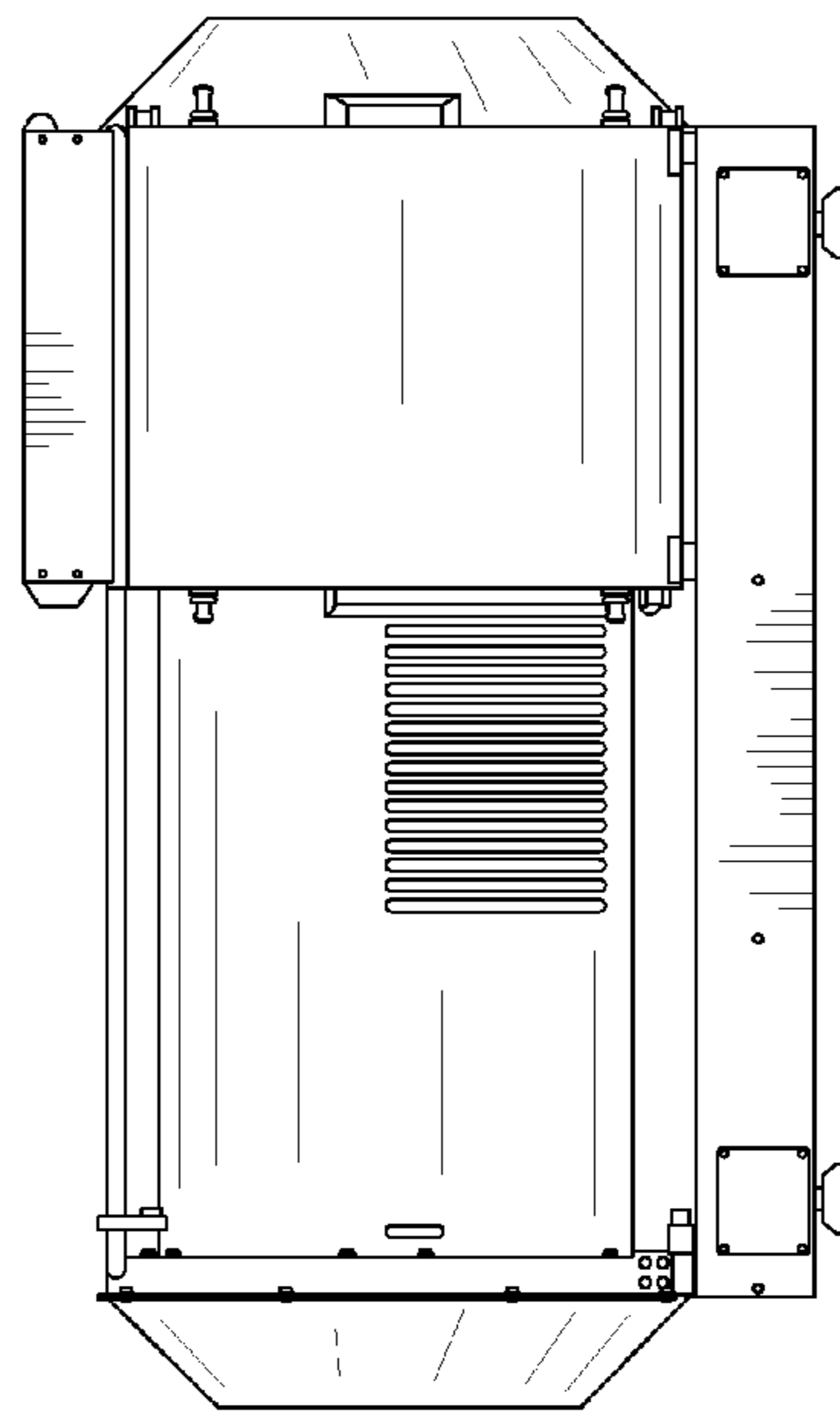


FIG. 3

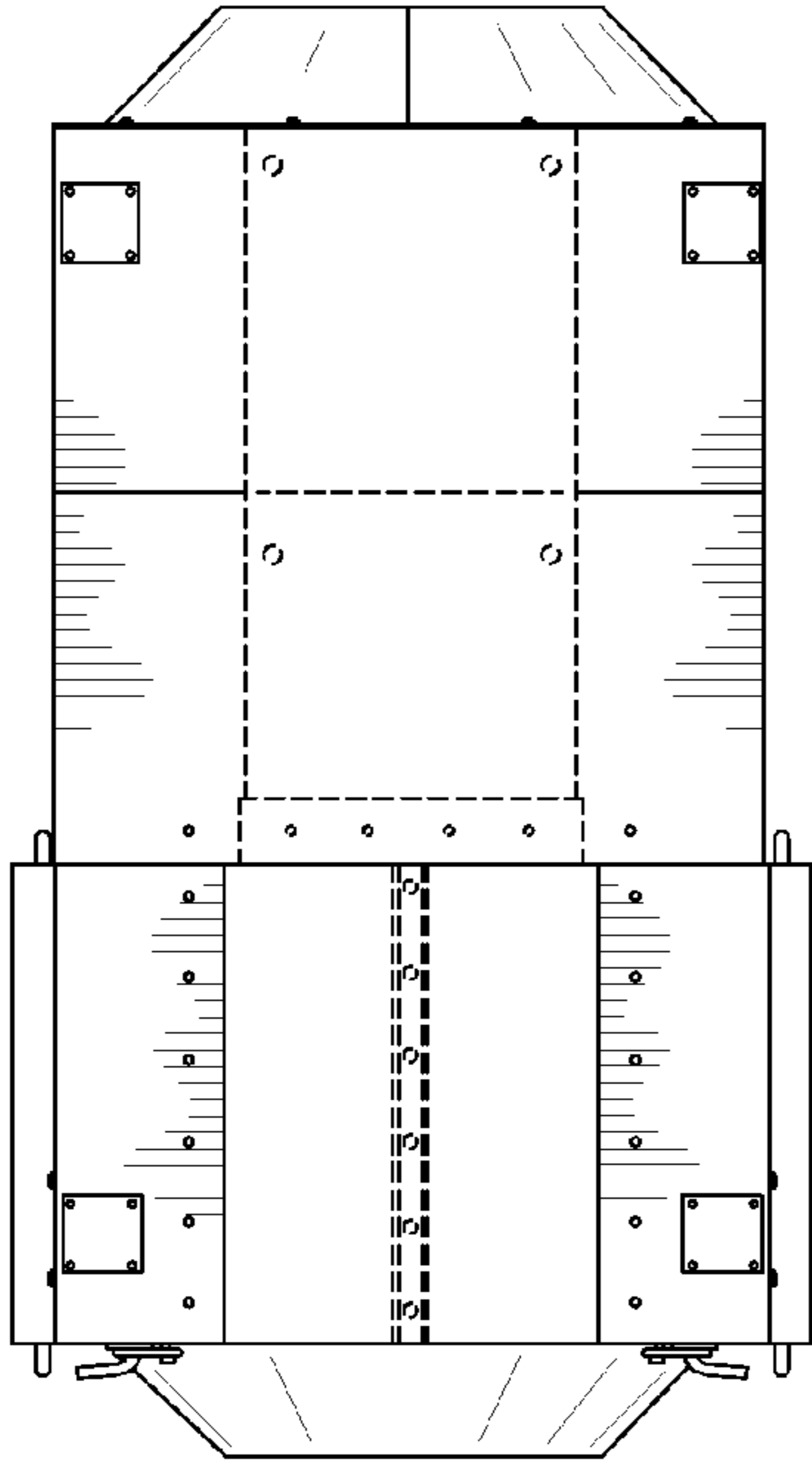


FIG. 6

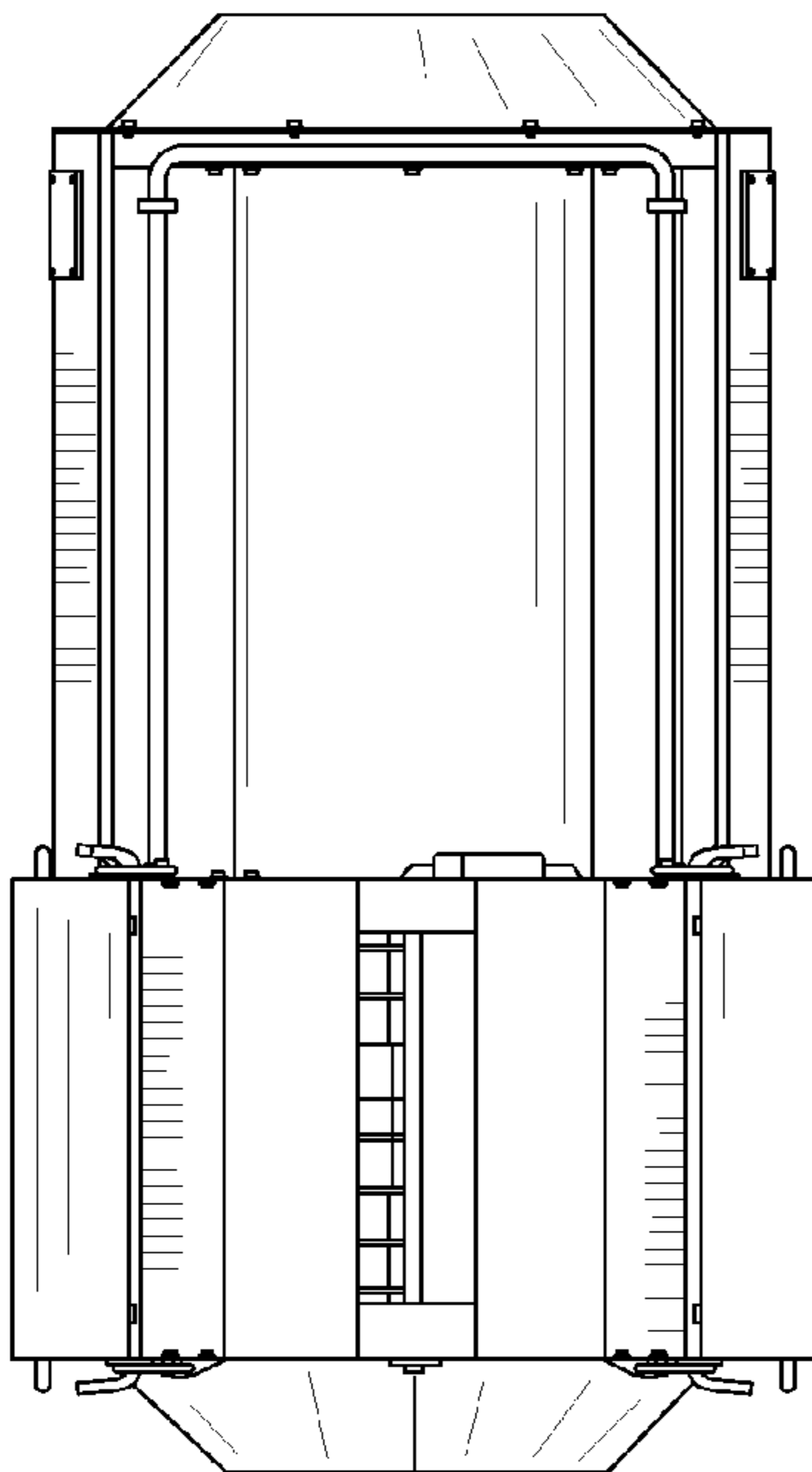


FIG. 5

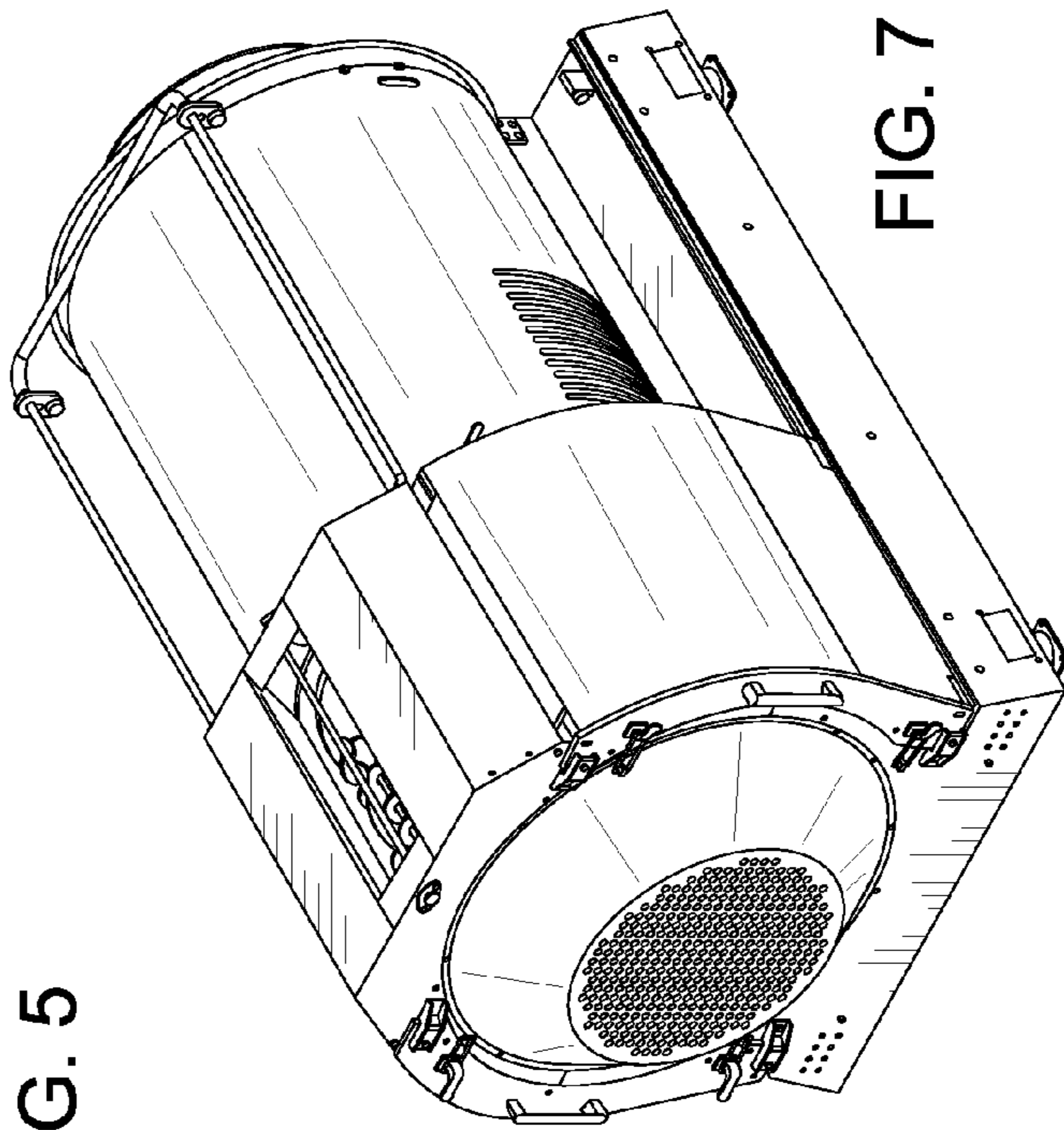


FIG. 7