



US00D651618S

(12) **United States Design Patent**
Barley

(10) **Patent No.:** **US D651,618 S**

(45) **Date of Patent:** **** Jan. 3, 2012**

(54) **SOUND MACHINE**

(75) **Inventor:** **Christopher B. Barley**, Grand Prairie, TX (US)

(73) **Assignee:** **WGI Innovations, Ltd.**, Grand Prairie, TX (US)

(**) **Term:** **14 Years**

(21) **Appl. No.:** **29/382,711**

(22) **Filed:** **Jan. 6, 2011**

(51) **LOC (9) Cl.** **14-03**

(52) **U.S. Cl.** **D14/496**

(58) **Field of Classification Search** D14/496,
D14/401, 435, 474, 483, 217, 137, 138, 160,
D14/168, 356, 203.1-203.8, 507; 345/156,
345/169, 173-179, 905; 715/727-729, 864;
710/1, 5, 8; 713/1, 600; 455/1.1, 1.7, 73,
455/344-347, 93, 95, 3.01-3.06, 550.1, 573.1;
370/342-344; 369/1, 2, 6-12; 463/43-47;
273/148 B

See application file for complete search history.

(56) **References Cited**

OTHER PUBLICATIONS

Tranquil Moments White Noise Sound Machine for Baby, Brookstone, downloaded from website www.brookstone.com, Dec. 2, 2010, 3 pages.

Sound Screen and SleepMate Electro-Mechanical Sound Conditioner, Marpac, downloaded from website www.marpac.com/soundscreen, Dec. 2, 2010, 4 pages.

Marsona TSC-330, Marpac, downloaded from website www.marpac.com/330, Dec. 2, 2010, 3 pages.

Marsona 1288A, Marpac, downloaded from website www.marpac.com/1288, Dec. 2, 2010, 4 pages.

Marsona DS-600A, Marpac, downloaded from website www.marpac.com/600, Dec. 2, 2010, 3 pages.

Ecotones Duet Sleep Sound Machine, Sleepwell, downloaded from website www.sleepwellbaby.com, Dec. 2, 2010, 2 pages.

Sound Oasis Sound Therapy System with SC-300-01 and SC-300-03 Sound Cards, Sound Oasis, downloaded from website www.soundoasis.com, Dec. 2, 2010, 3 pages.

Homedics SS-2000-01 Sound Machine, Nature's Tapestry, downloaded from website www.naturestapestry.com, Dec. 2, 2010, 2 pages.

Homedics SS-4500, Nature's Tapestry, downloaded from website www.naturestapestry.com, Dec. 2, 2010, 2 pages.

Sound Soother White Noise Machine, The Sharper Image, downloaded from website www.sharperimage.com, Dec. 2, 2010, 5 pages.

Primary Examiner — Prabhakar Deshmukh

(74) *Attorney, Agent, or Firm* — Geoffrey A. Mantooth

(57) **CLAIM**

The ornamental design for a sound machine, as shown and described.

DESCRIPTION

FIG. 1 is an isometric top, left and front side view of a sound machine, showing my new design;

FIG. 2 is a front side view thereof;

FIG. 3 is a rear side view thereof,

FIG. 4 is a top side view thereof;

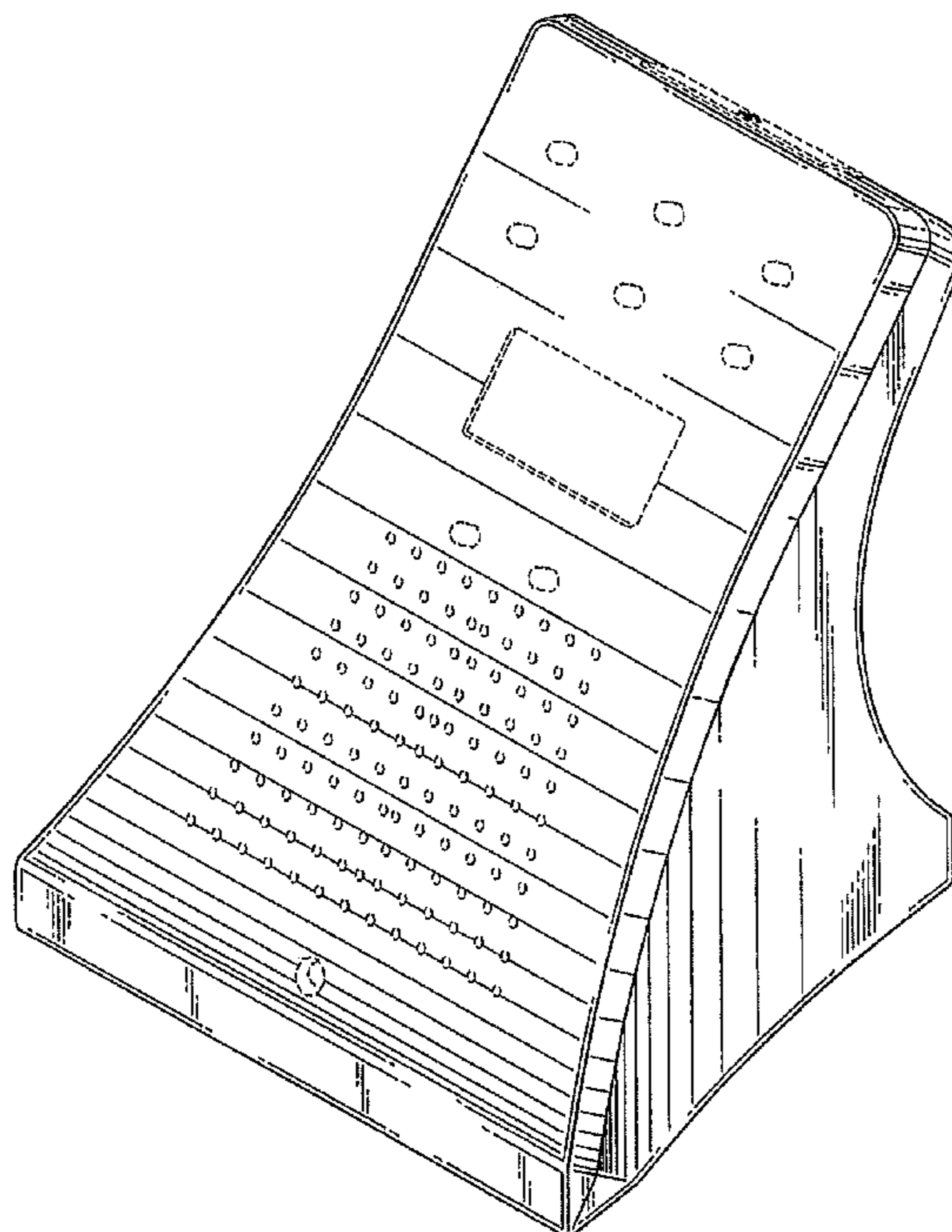
FIG. 5 is a bottom side view thereof;

FIG. 6 is a right side view thereof; and,

FIG. 7 is a left side view thereof.

The portions of the article in broken lines are for illustrative purposes only and form no part of the claimed design.

1 Claim, 5 Drawing Sheets



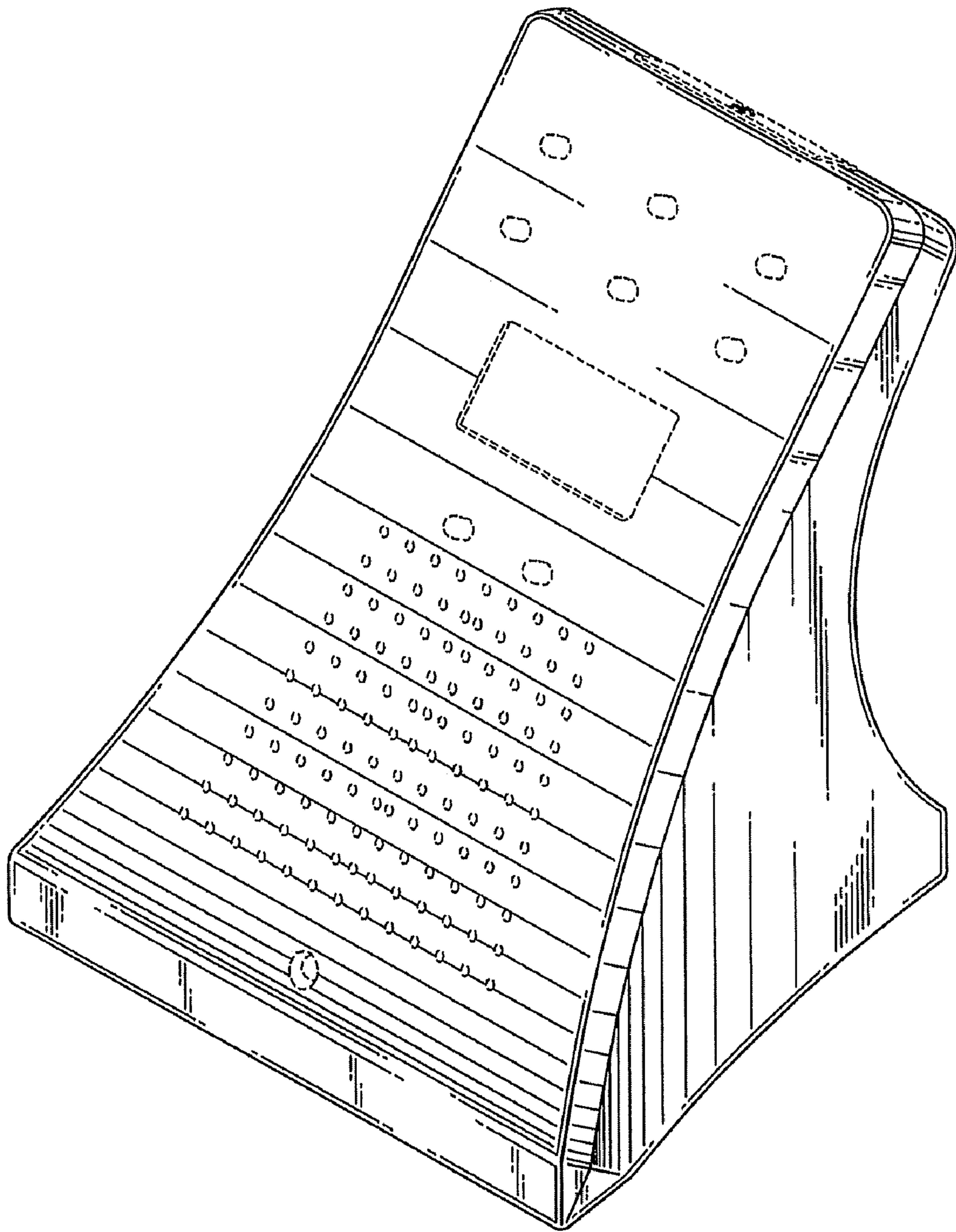


Fig. 1

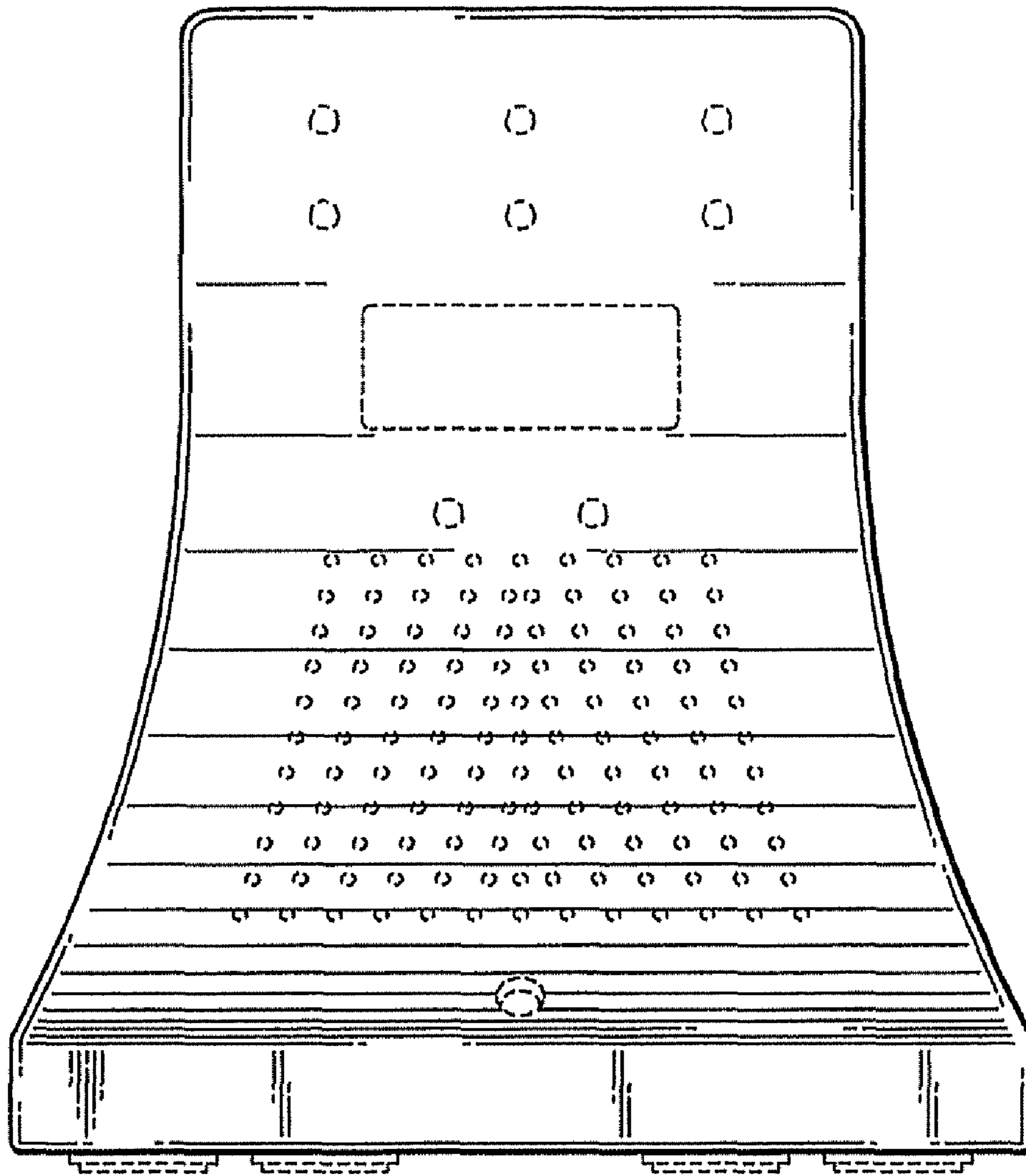


Fig. 2

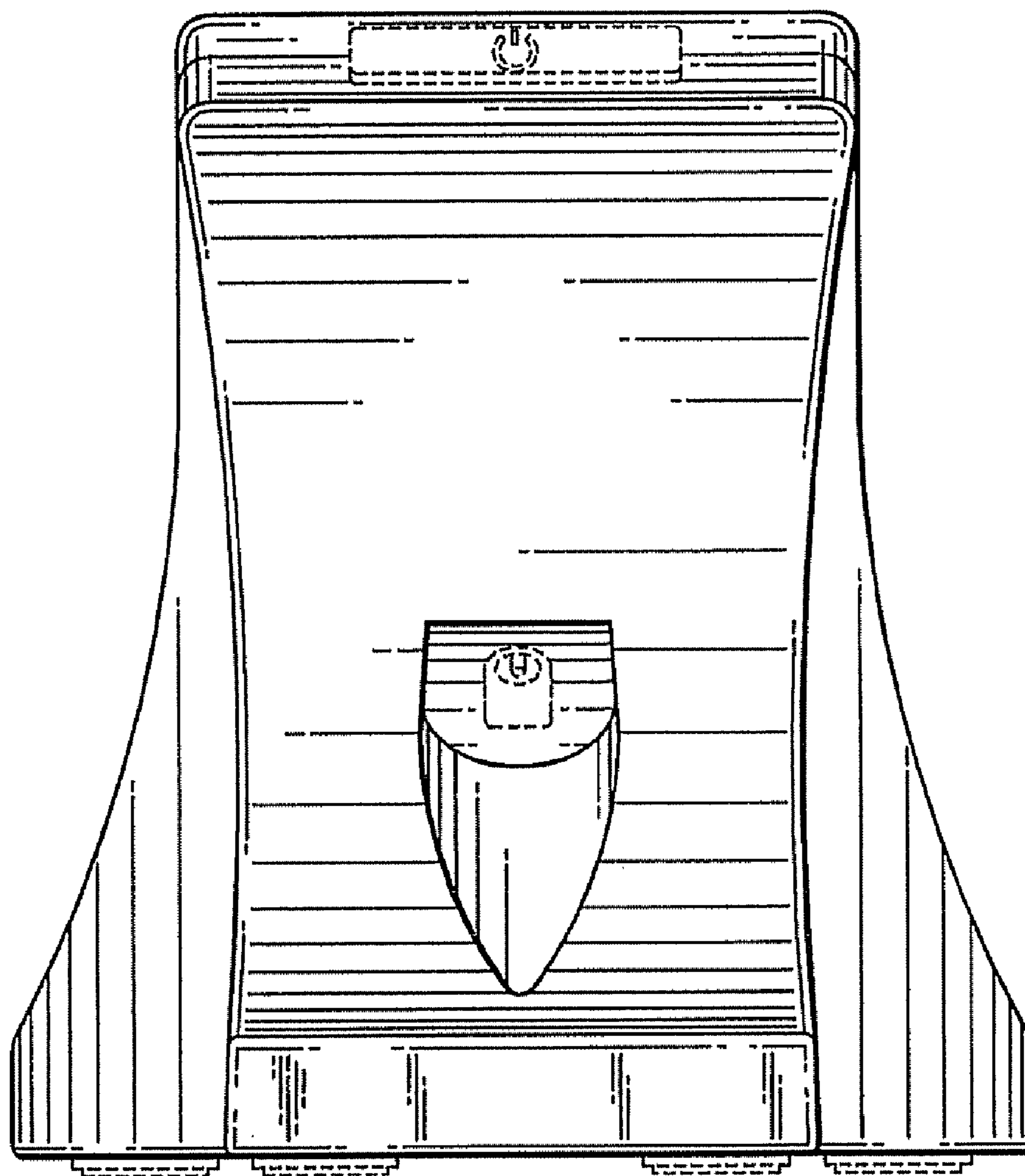


Fig. 3

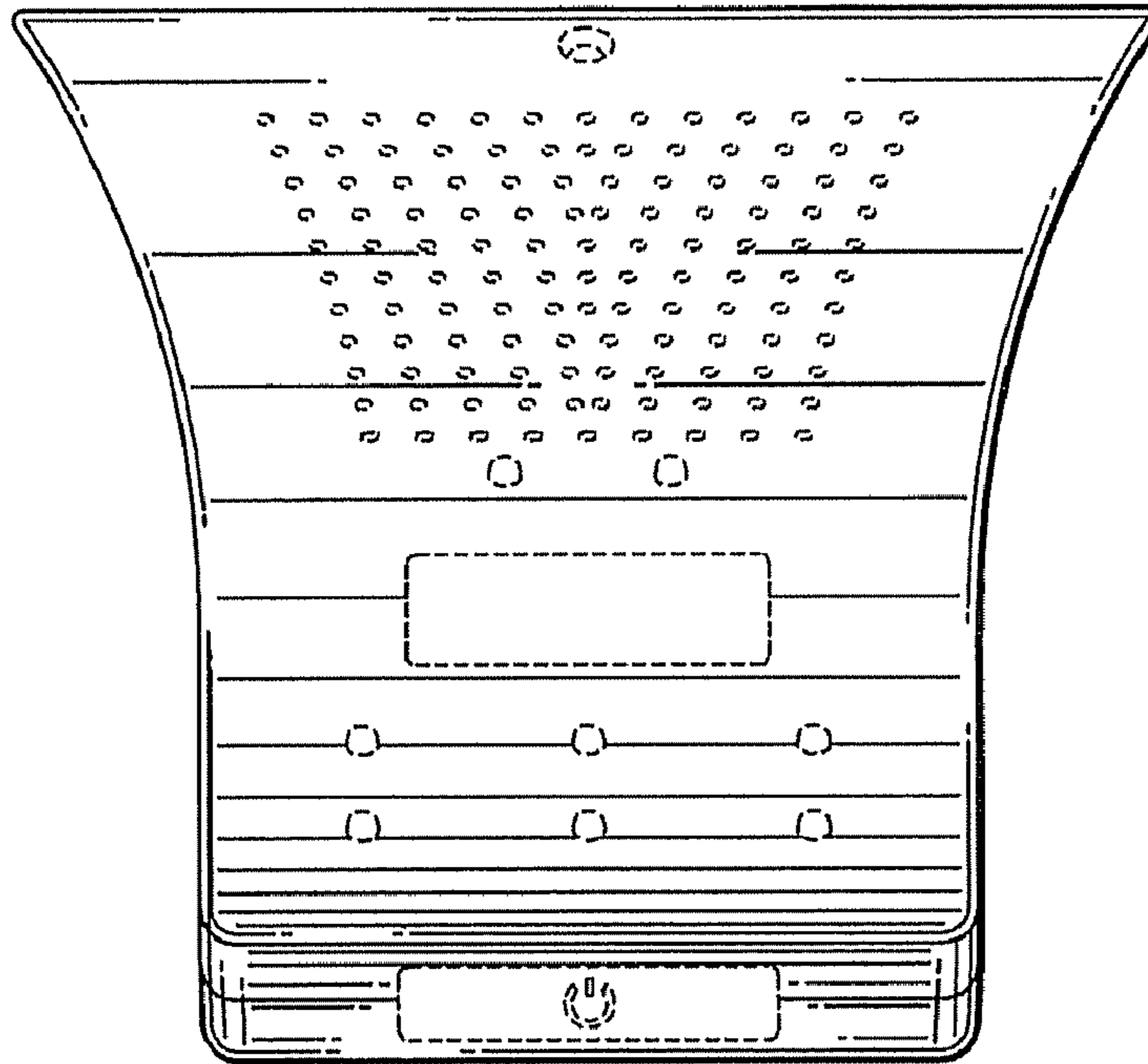


Fig. 4

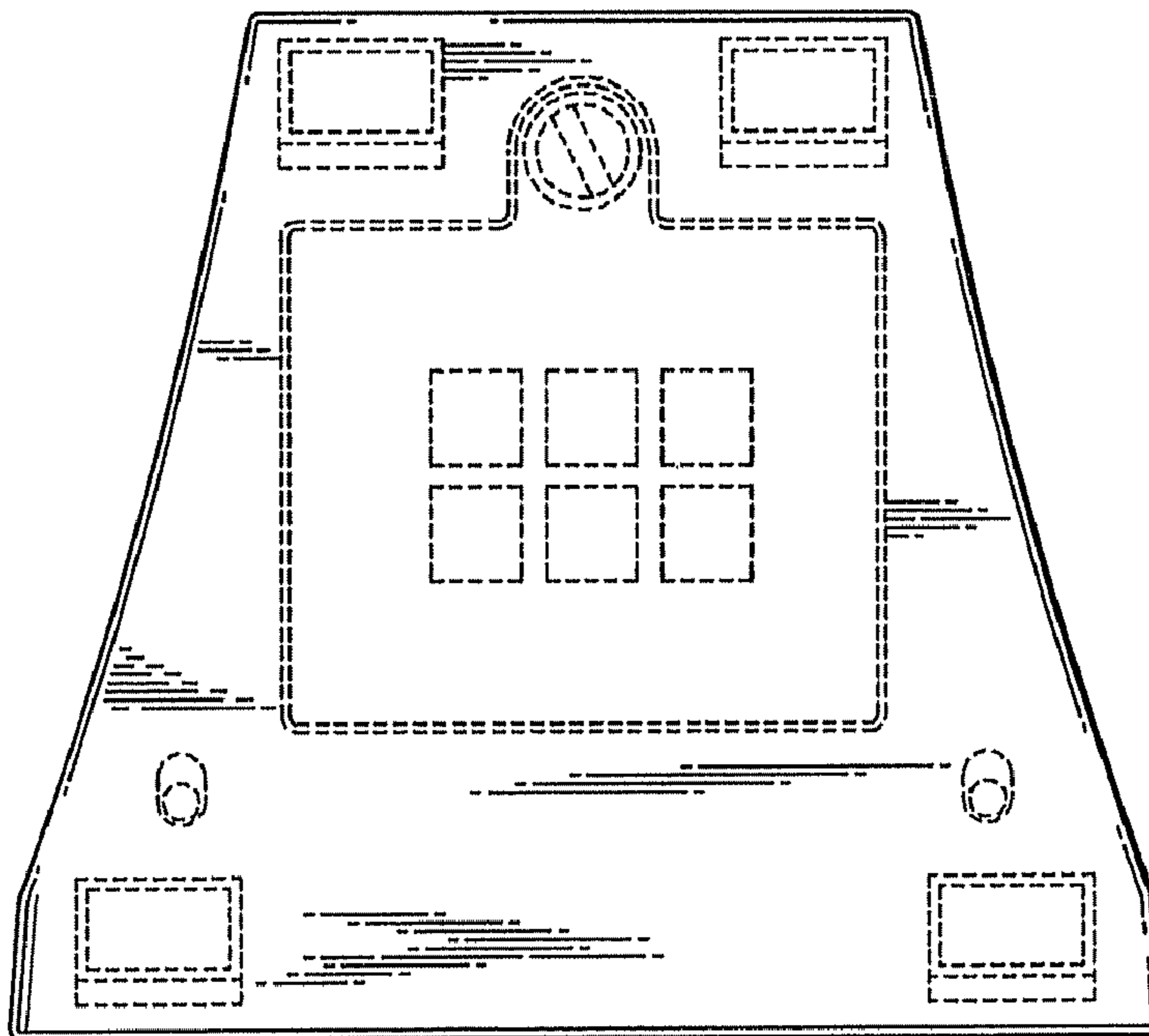


Fig. 5

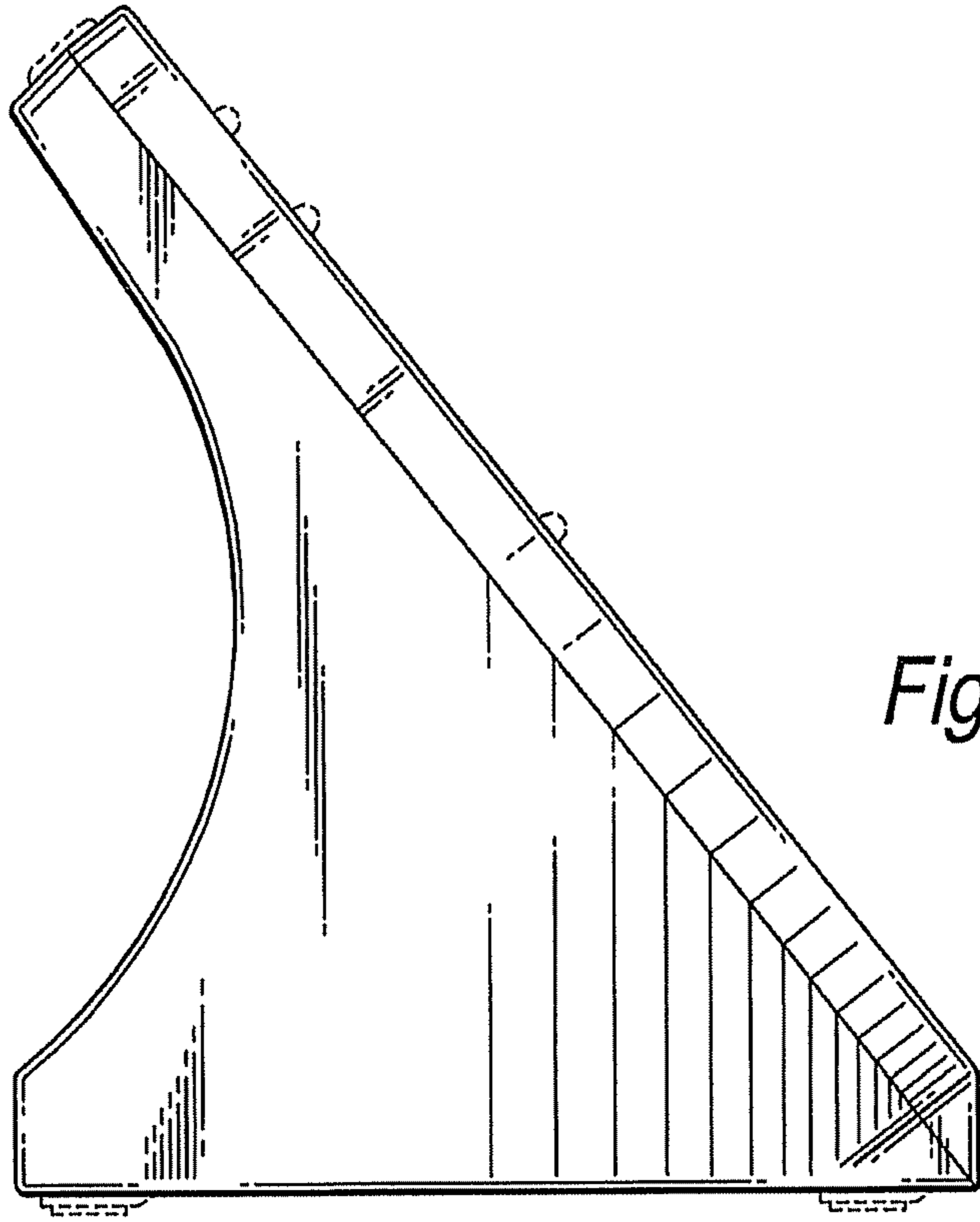


Fig. 6

Fig. 7

