



US00D651607S

(12) **United States Design Patent**
Akana et al.

(10) **Patent No.:** **US D651,607 S**
(45) **Date of Patent:** **** *Jan. 3, 2012**

(54) **ELECTRONIC DEVICE**

(75) Inventors: **Jody Akana**, San Francisco, CA (US);
Bartley K. Andre, Menlo Park, CA
(US); **Jeremy Bataillou**, San Francisco,
CA (US); **Daniel J. Coster**, San
Francisco, CA (US); **Daniele De Iuliis**,
San Francisco, CA (US); **Evans**
Hankey, San Francisco, CA (US);
Richard P. Howarth, San Francisco, CA
(US); **Jonathan P. Ive**, San Francisco,
CA (US); **Duncan Robert Kerr**, San
Francisco, CA (US); **Shin Nishibori**,
Portola Valley, CA (US); **Matthew Dean**
Rohrbach, San Francisco, CA (US);
Peter Russell-Clarke, San Francisco,
CA (US); **Christopher J. Stringer**,
Woodside, CA (US); **Eugene Antony**
Whang, San Francisco, CA (US); **Rico**
Zorkendorfer, San Francisco, CA (US)

(73) Assignee: **Apple Inc.**, Cupertino, CA (US)

(**) Term: **14 Years**

(21) Appl. No.: **29/345,580**

(22) Filed: **Oct. 19, 2009**

(51) **LOC (9) Cl.** **14-02**

(52) **U.S. Cl.** **D14/448**

(58) **Field of Classification Search** D14/448,
D14/439, 440, 447, 449, 450, 451, 452, 432,
D14/434, 457, 336, 337, 339, 340, 371, 372,
D14/373, 374, 375, 376, 377, 378, 379, 380,
D14/381, 382, 126, 127, 128, 129, 203.8,
D14/217, 238.1, 239; 345/905; 248/917,
248/918, 919, 920, 921, 922, 923, 924; 348/184,
348/739, 761, 791, 825, 834, 835; 349/58,
349/60

See application file for complete search history.

(56) **References Cited**

U.S. PATENT DOCUMENTS

D356,556 S 3/1995 Maeno et al.
D394,089 S 5/1998 Kawasaki et al.
(Continued)

OTHER PUBLICATIONS

Macworld magazine, Jun. 2007, cover.

(Continued)

Primary Examiner — Angela Lee

(74) *Attorney, Agent, or Firm* — SAIDMAN DesignLaw
Group

(57) **CLAIM**

The ornamental design for an electronic device, as shown and
described.

DESCRIPTION

FIG. 1 is a front perspective view of an electronic device
showing our new design;

FIG. 2 is an enlarged view of the portion X encircled in FIG.
1;

FIG. 3 is rear perspective view thereof;

FIG. 4 is a front view thereof;

FIG. 5 is a rear view thereof;

FIG. 6 is a right side view thereof;

FIG. 7 is a left side view thereof;

FIG. 8 is a top view thereof;

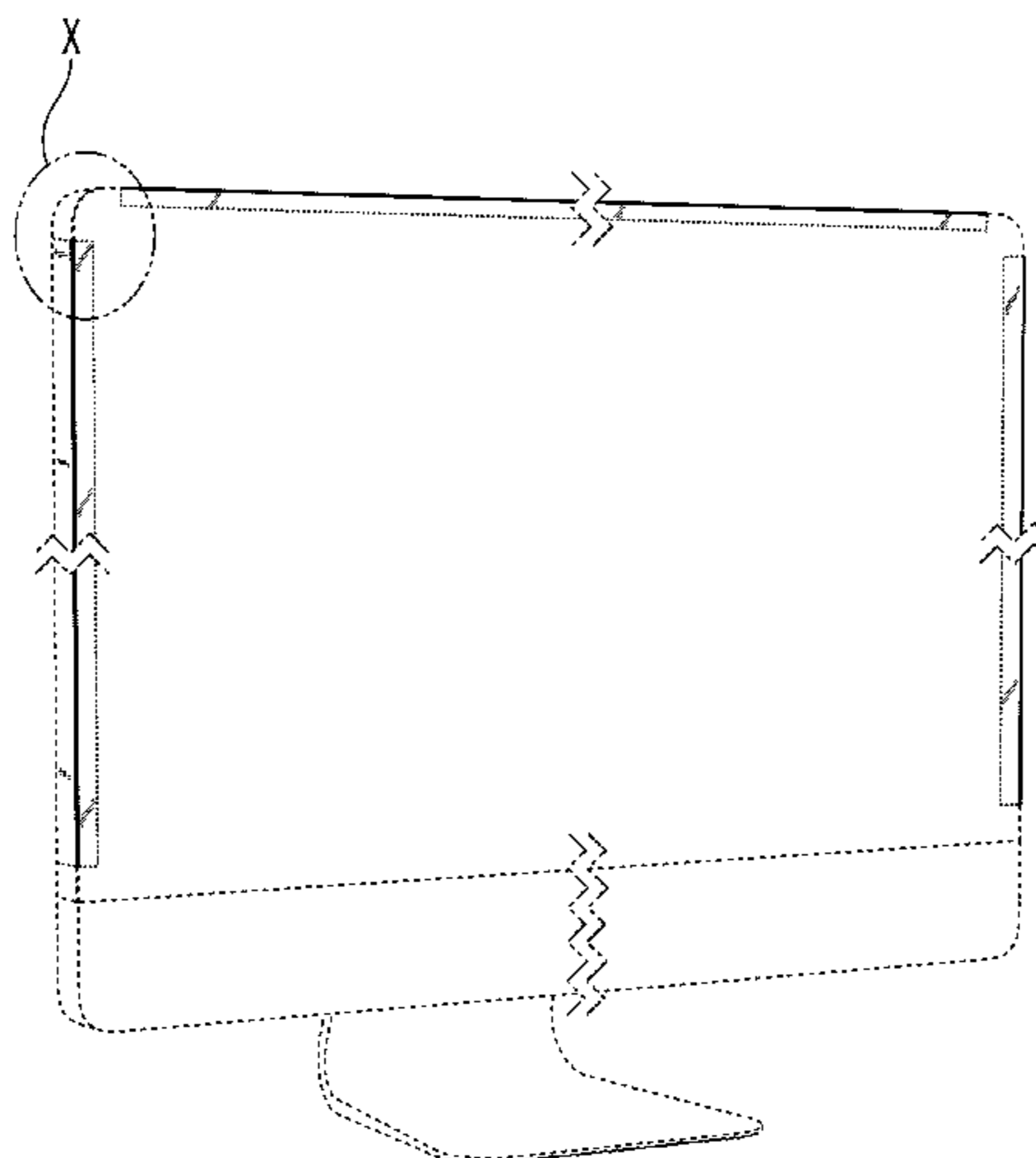
FIG. 9 is a bottom view thereof;

FIG. 10 is an alternative bottom view thereof; and,

FIG. 11 is an enlarged, partial sectional view thereof taken
along lines 11—11 of FIGS. 2 and 7.

The dashed broken lines illustrate environmental structure
and form no part of the claimed design. The dotted broken
lines define boundaries of the claimed design and form no part
thereof. The dot-dot-dash broken lines encircle portions of
the claimed design that are illustrated in different magnifica-
tions. The pairs of closely spaced jagged lines indicate no
particular length and form no part of the claimed design.

1 Claim, 9 Drawing Sheets



US D651,607 S

Page 2

U.S. PATENT DOCUMENTS

D396,222 S * 7/1998 Morgan et al. D14/374
D401,574 S 11/1998 Leman et al.
D416,549 S 11/1999 Coster et al.
D416,876 S 11/1999 Yin
D416,877 S 11/1999 Liu et al.
D423,475 S 4/2000 Maruyama et al.
D424,546 S * 5/2000 Aeschbacher et al. D14/450
D425,035 S 5/2000 Kondo et al.
D428,415 S 7/2000 Shibata
D434,763 S 12/2000 Jobs et al.
D451,290 S * 12/2001 Allen D6/300
D453,022 S 1/2002 Oba
D454,352 S 3/2002 Love et al.
D454,882 S * 3/2002 Jung D14/450
D455,725 S * 4/2002 Isono D14/126
D483,363 S 12/2003 Olson et al.
D486,486 S 2/2004 Jobs et al.
D488,162 S * 4/2004 Korpai D14/448
D494,971 S 8/2004 Jobs et al.
D495,332 S 8/2004 Jobs et al.
D495,706 S 9/2004 Lin et al.
D496,040 S 9/2004 Jobs et al.
D497,364 S 10/2004 Ozolins et al.
D499,097 S 11/2004 Tsuji et al.
D500,037 S 12/2004 Ozolins et al.
D504,889 S 5/2005 Andre et al.
D516,557 S 3/2006 Noda et al.
D520,006 S 5/2006 Chen et al.
D531,631 S 11/2006 Andre et al.
D532,011 S 11/2006 Andre et al.
D536,380 S 2/2007 Clifton
D541,799 S 5/2007 Andre et al.

7,232,098 B2 6/2007 Rawlings et al.
D545,820 S 7/2007 Won et al.
D556,755 S 12/2007 Lee et al.
D574,382 S * 8/2008 Tsukahara D14/432
D578,537 S * 10/2008 Tsukahara D14/439
D586,816 S * 2/2009 Shen et al. D14/447
D598,446 S 8/2009 Pan et al.
D600,696 S 9/2009 Andre et al.
D604,733 S 11/2009 Andre et al.
D605,193 S 12/2009 Andre et al.
D615,514 S * 5/2010 Mellingen D14/126
D621,841 S * 8/2010 Andre et al. D14/448
D623,653 S * 9/2010 Okoshi et al. D14/450
2009/0040703 A1 * 2/2009 Gotham et al. 361/681

OTHER PUBLICATIONS

U.S. Appl. No. 29/289,807 entitled "Computer" filed Aug. 1, 2007, as amended Aug. 25, 2009.
Apple iMac, <http://www.apple.com/imac>, available at least as early as Oct. 10, 2008.
U.S. Appl. No. 29/326,226 entitled "Monitor" filed Oct. 14, 2008, as amended Aug. 9, 2009.
U.S. Appl. No. 29/327,929 entitled "Electronic Device" filed Nov. 14, 2008, as amended Jan. 26, 2009.
U.S. Appl. No. 29/338,530 entitled "Monitor" filed Jun. 12, 2009.
U.S. Appl. No. 29/345,525 entitled "Computer" filed Aug. 26, 2009.
U.S. Appl. No. 29/345,722 entitled "Computer" filed Oct. 21, 2009.
U.S. Appl. No. 29/361,525 entitled "Electronic Device", filed May 12, 2010.

* cited by examiner

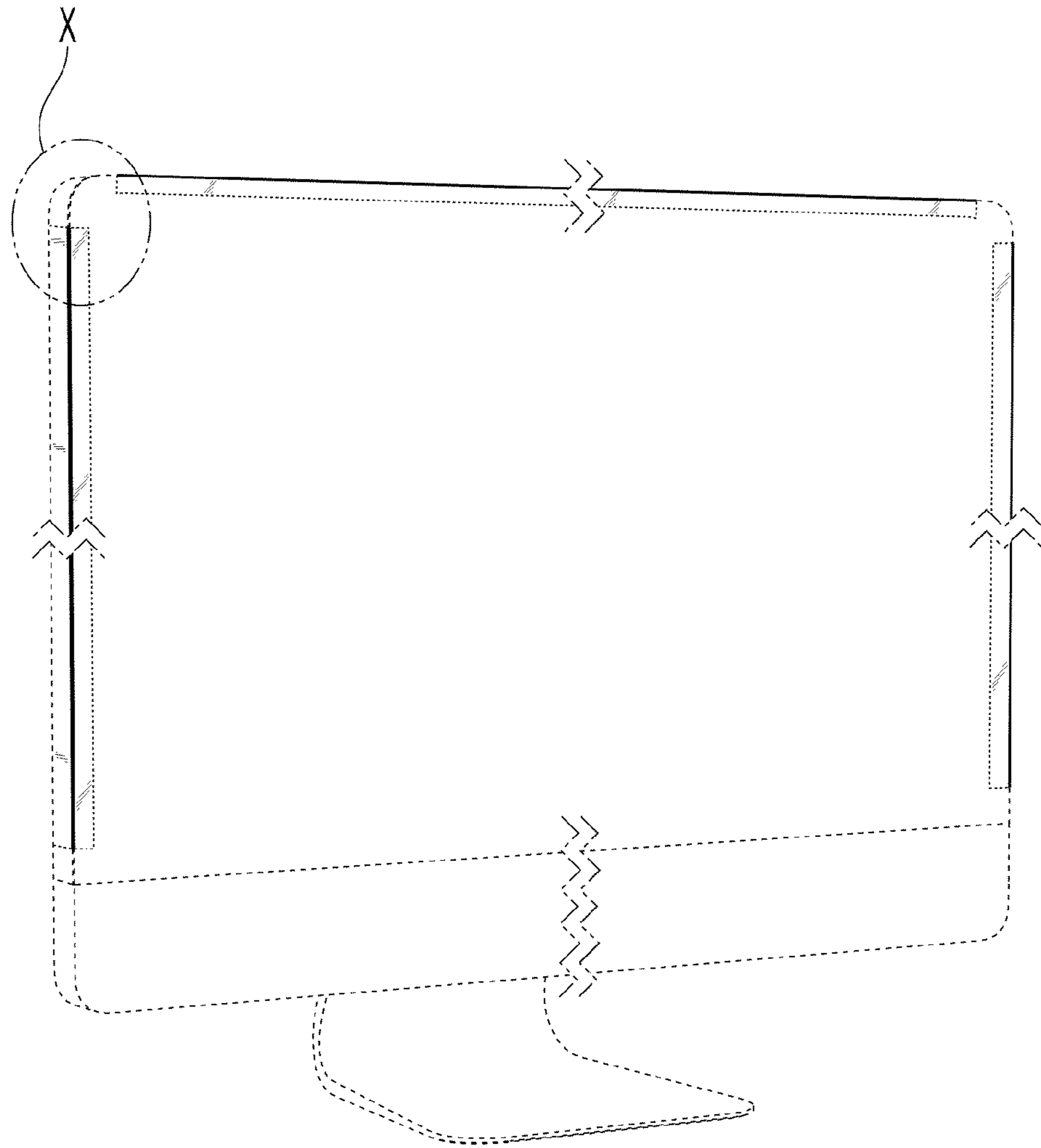


Fig. 1

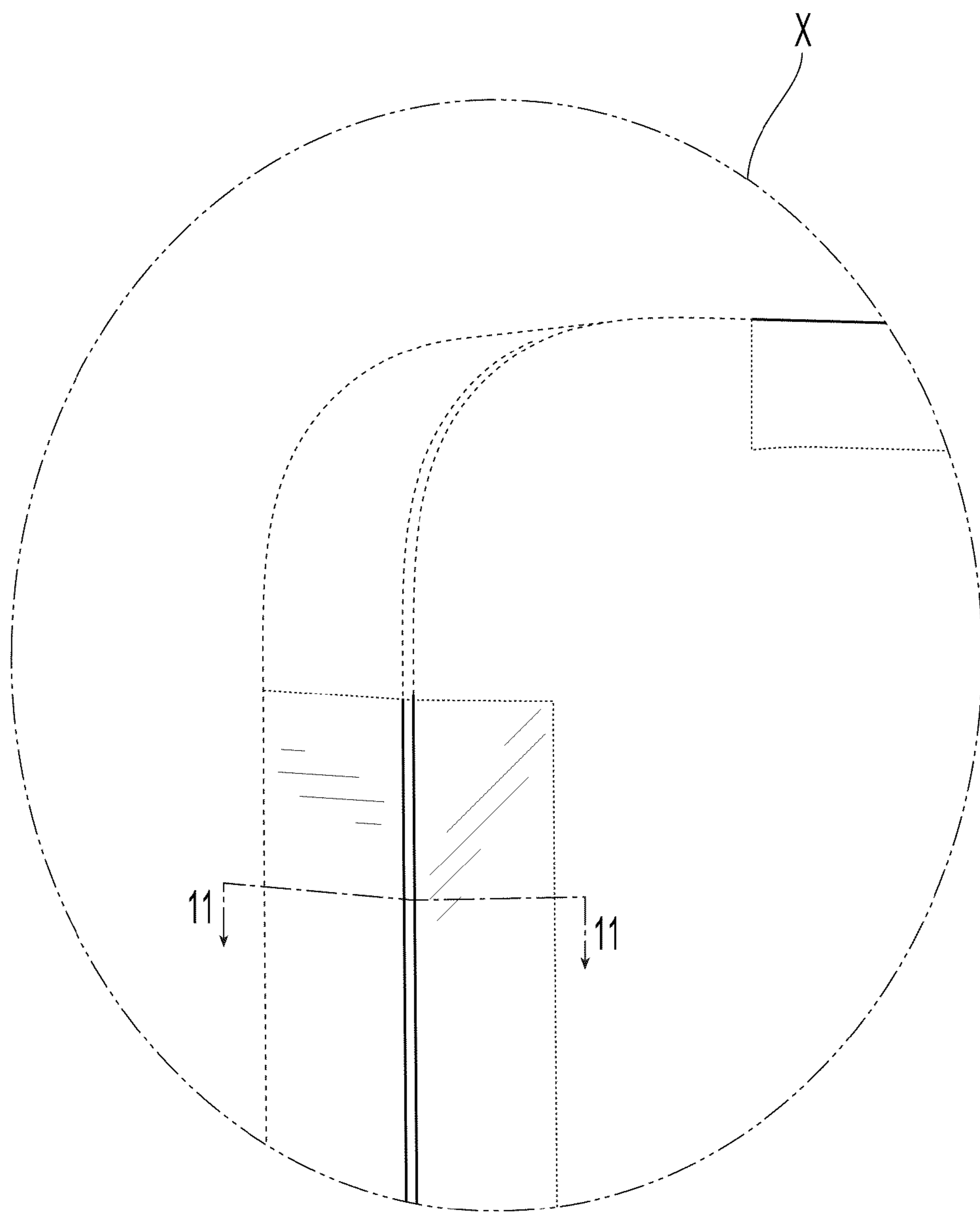


Fig. 2

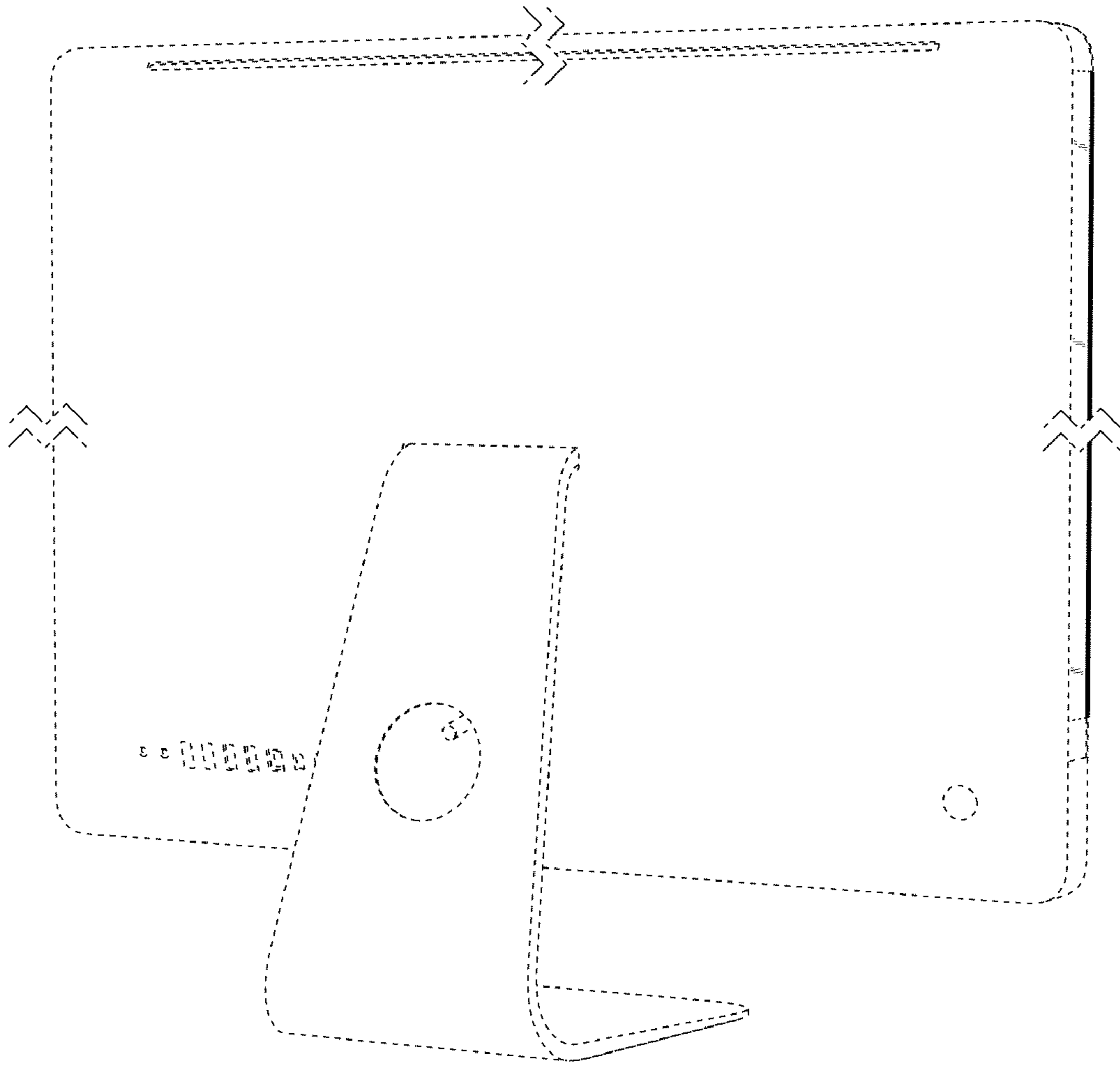


Fig. 3

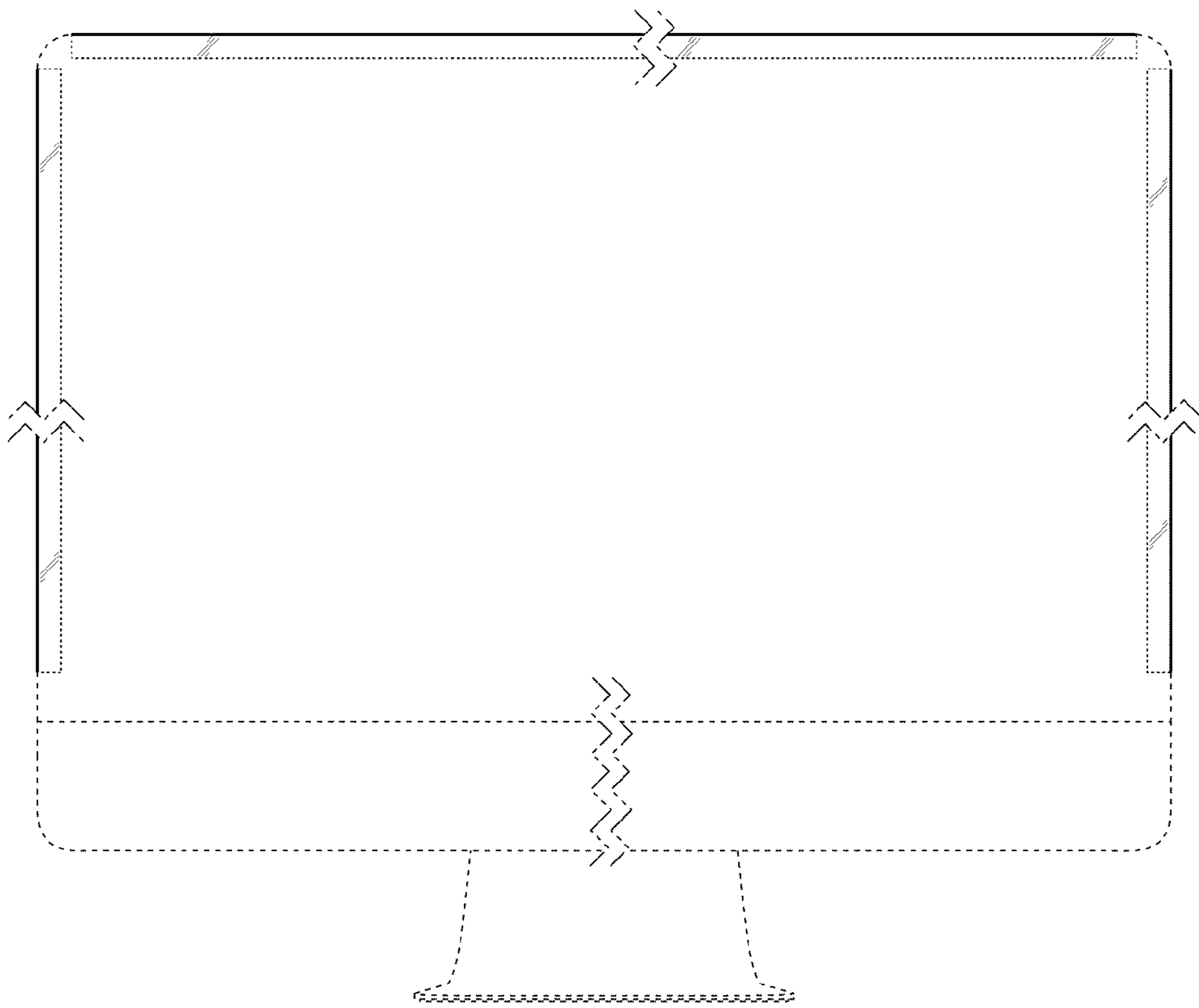


Fig. 4

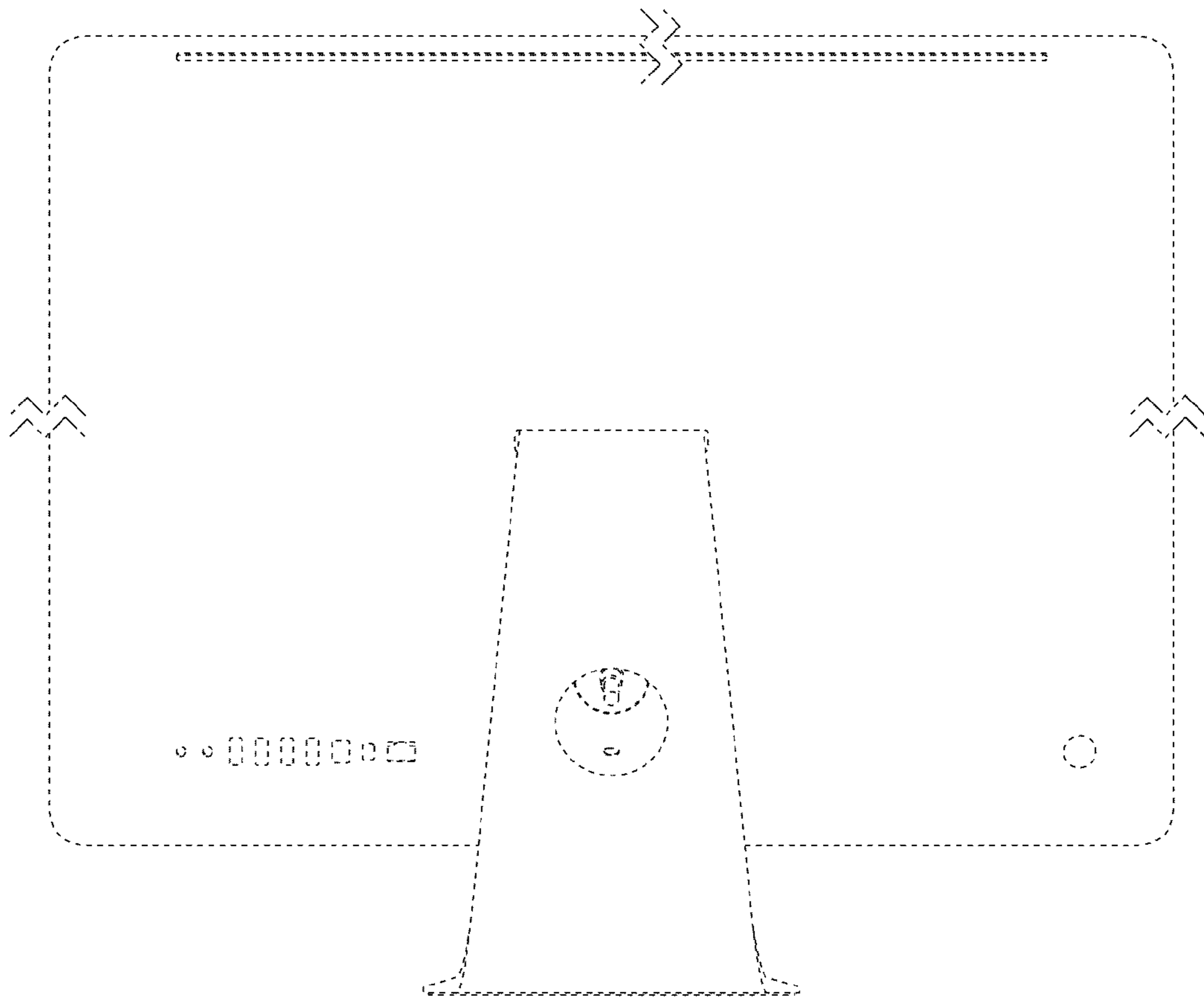


Fig. 5

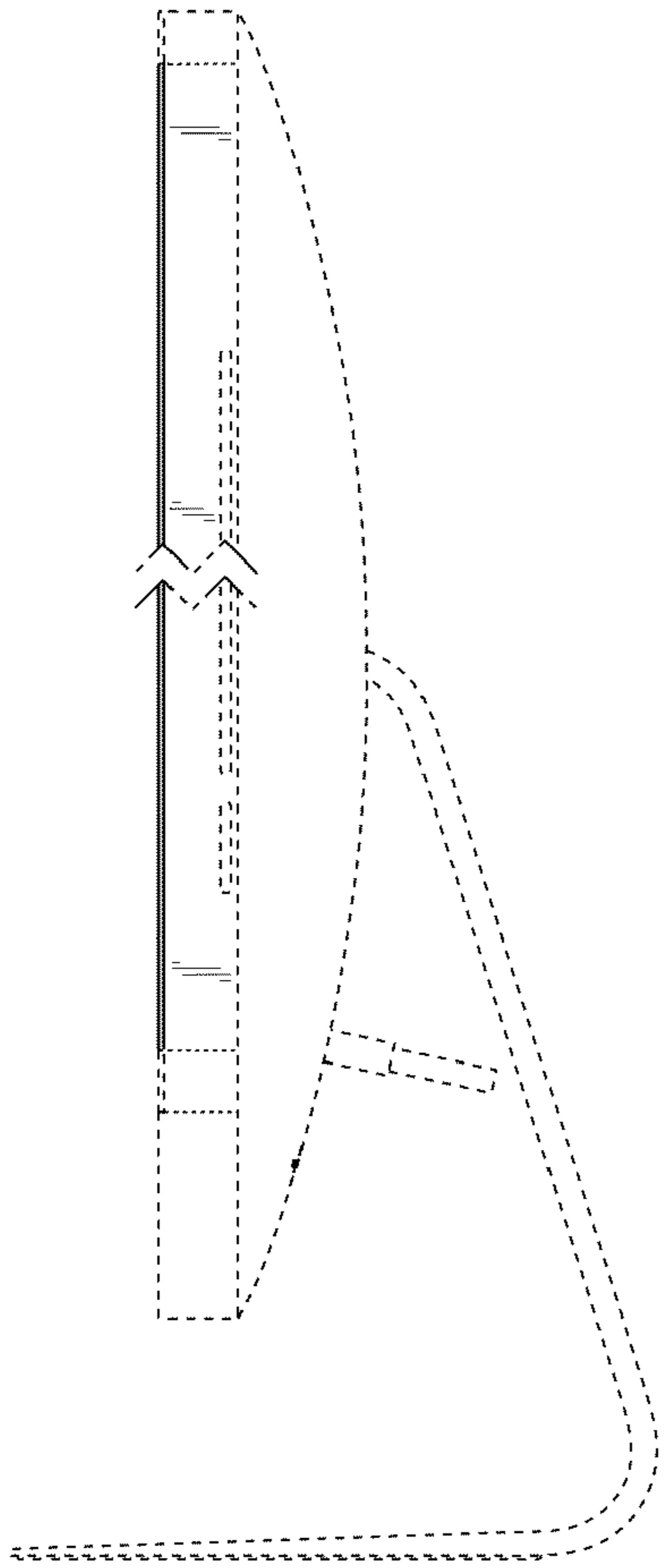


Fig. 6

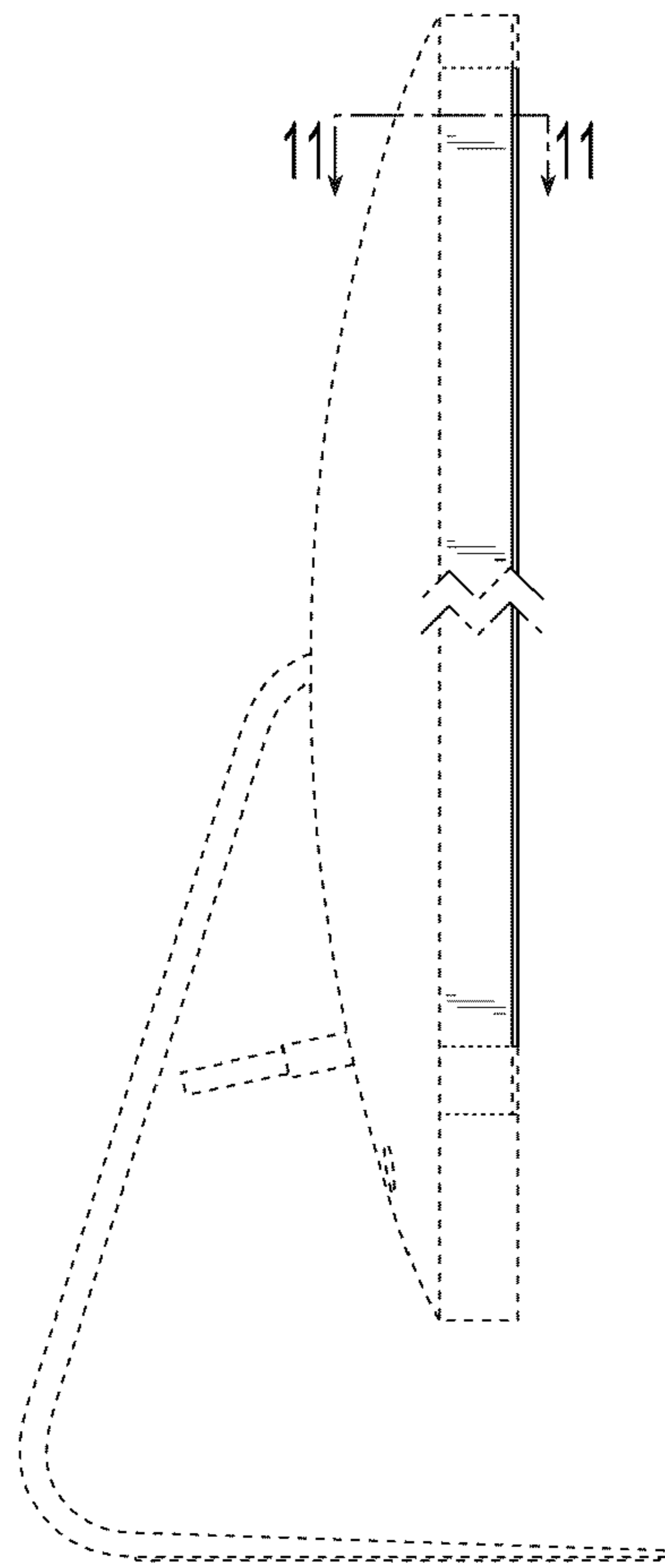


Fig. 7

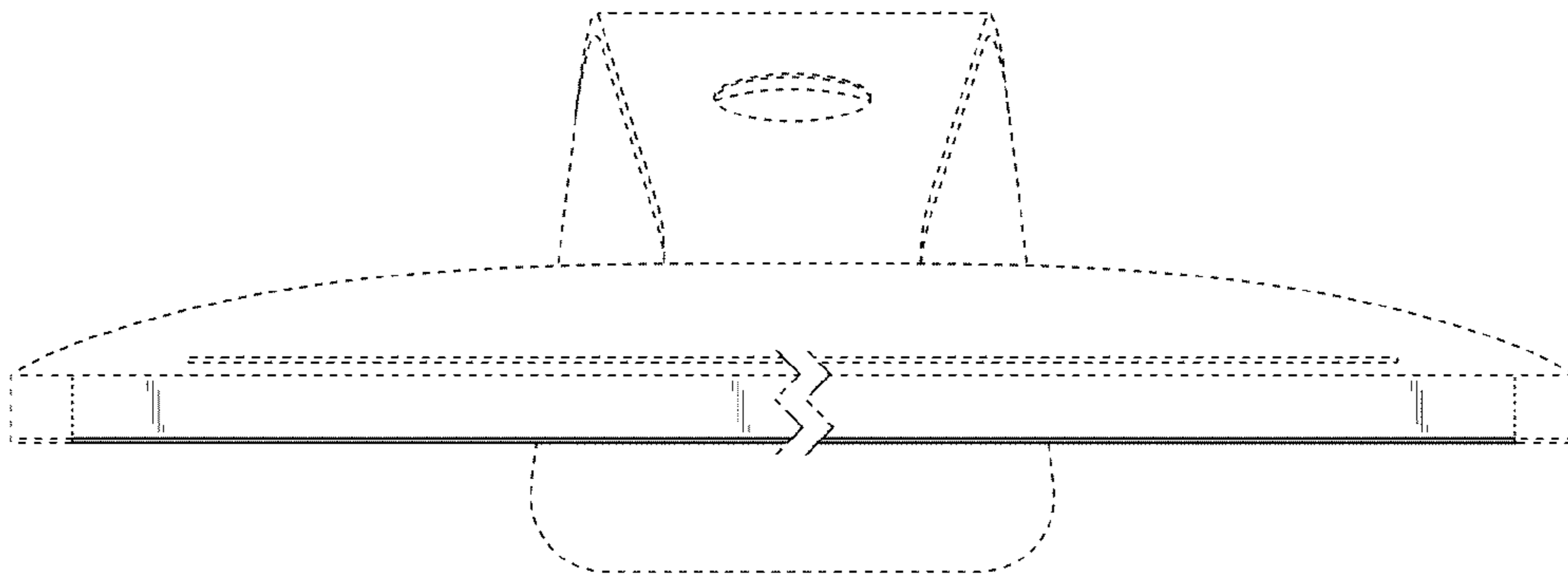


Fig. 8

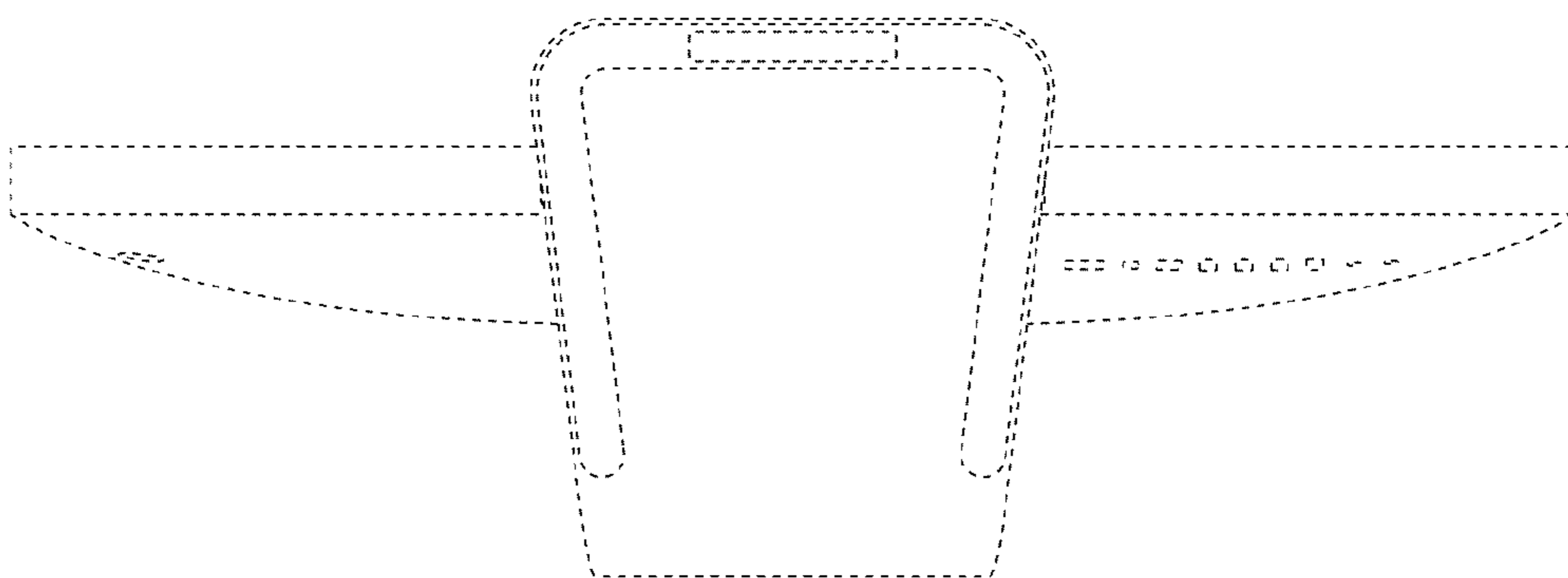


Fig. 9

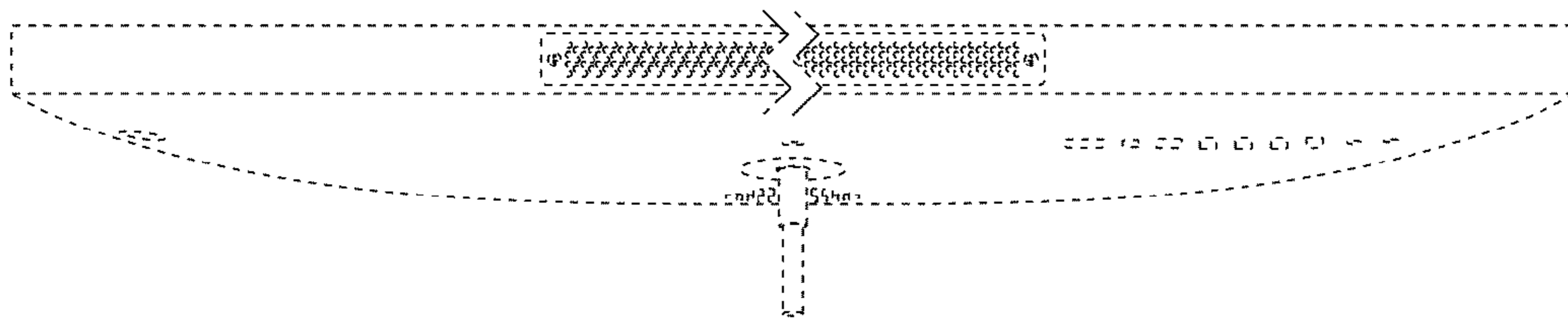


Fig. 10

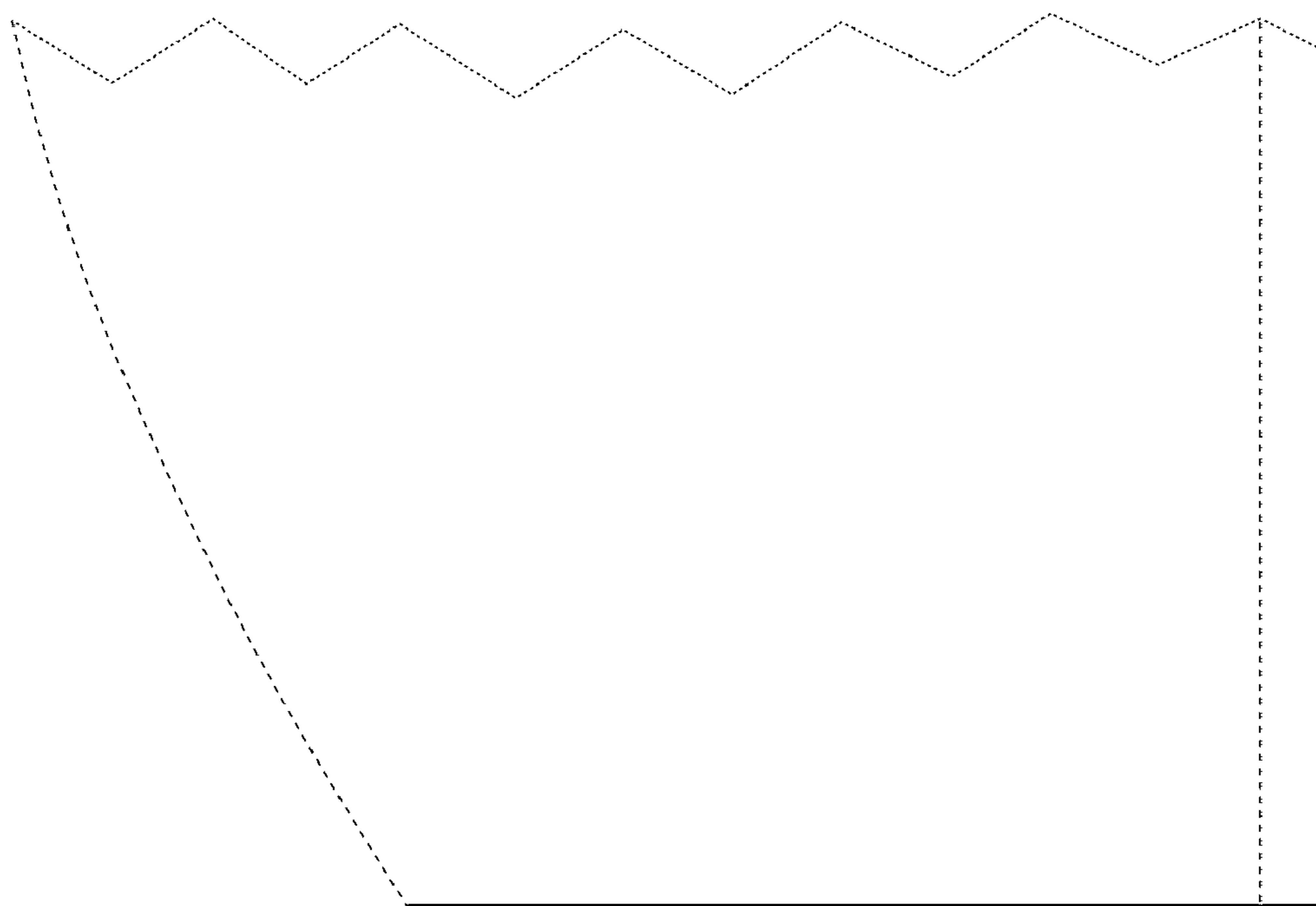


Fig. 11