



US00D651606S

(12) **United States Design Patent**  
**Luijben**

(10) **Patent No.:** **US D651,606 S**

(45) **Date of Patent:** **\*\* Jan. 3, 2012**

(54) **BASE COVER**

(75) **Inventor:** **Stefan Arthur Luijben**, Helmond (NL)

(73) **Assignee:** **Vogel's Holding B.V.** (NL)

(\*\*) **Term:** **14 Years**

(21) **Appl. No.:** **29/380,696**

(22) **Filed:** **Dec. 9, 2010**

(51) **LOC (9) Cl.** ..... **14-02**

(52) **U.S. Cl.** ..... **D14/447; D14/250**

(58) **Field of Classification Search** ..... D14/447,  
D14/448, 451, 452, 432, 434, 439, 440, 457,  
D14/460, 461, 239, 250, 251, 253, 217, 238.1;  
D3/218; D6/310, 312, 311, 406.3, 406.4,  
D6/406.5, 406.6, 419; 248/917-924, 688,  
248/441.1, 451, 454, 460, 463, 136, 149,  
248/150, 164, 166, 176.2, 176.3, 176.1, 346.03,  
248/346.3; 361/679.02, 679.09, 679.21,  
361/679.22, 379.26, 679.27, 679.28, 679.29,  
361/679.3, 679.46, 679.47, 679.48, 679.55,  
361/679.56, 679.57, 679.58, 679.59, 679.6;  
150/165; 224/929, 930

See application file for complete search history.

(56) **References Cited**

**U.S. PATENT DOCUMENTS**

D592,188 S *	5/2009	Huang	.....	D14/217
D620,931 S *	8/2010	Opman	.....	D14/250
D623,638 S *	9/2010	Richardson et al.	.....	D14/250
D623,639 S *	9/2010	Richardson et al.	.....	D14/250
D632,686 S *	2/2011	Magness et al.	.....	D14/250
D637,593 S *	5/2011	Zanetti	.....	D14/253

D638,412 S *	5/2011	Lee	.....	D14/250
D638,414 S *	5/2011	Magness et al.	.....	D14/250
D640,707 S *	6/2011	Yeh	.....	D14/447
D641,756 S *	7/2011	Hsieh et al.	.....	D14/440
D643,423 S *	8/2011	Smith et al.	.....	D14/250
D643,433 S *	8/2011	Hsieh et al.	.....	D14/440
D643,843 S *	8/2011	Hsieh et al.	.....	D14/440

**OTHER PUBLICATIONS**

RingO, <http://www.tableonthewall.com/usa/>, viewed on Oct. 6, 2011.\*

Ring): An iPad Stand and Holder, Apr. 4, 2011, <http://www.letmedefine.com/ringo-an-ipad-stand-holder/>, viewed on May 3, 2011.\*

\* cited by examiner

*Primary Examiner* — Angela J Lee

(74) *Attorney, Agent, or Firm* — Miller & Martin PLLC

(57) **CLAIM**

The ornamental design for the base cover, as shown and described.

**DESCRIPTION**

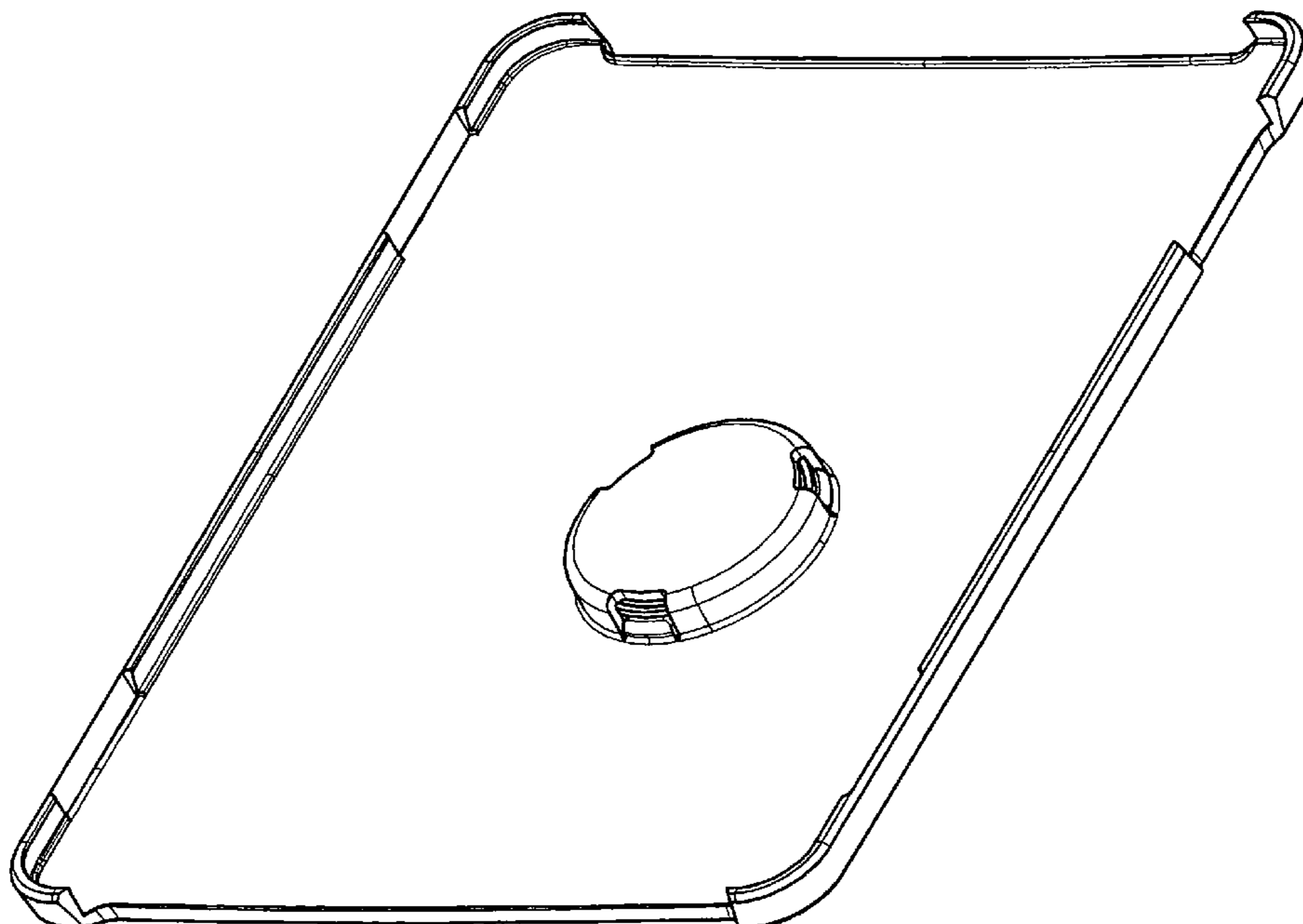
FIG. 1 is a front perspective view of the base cover;  
FIG. 2 is a back perspective view of the base cover shown in FIG. 1;

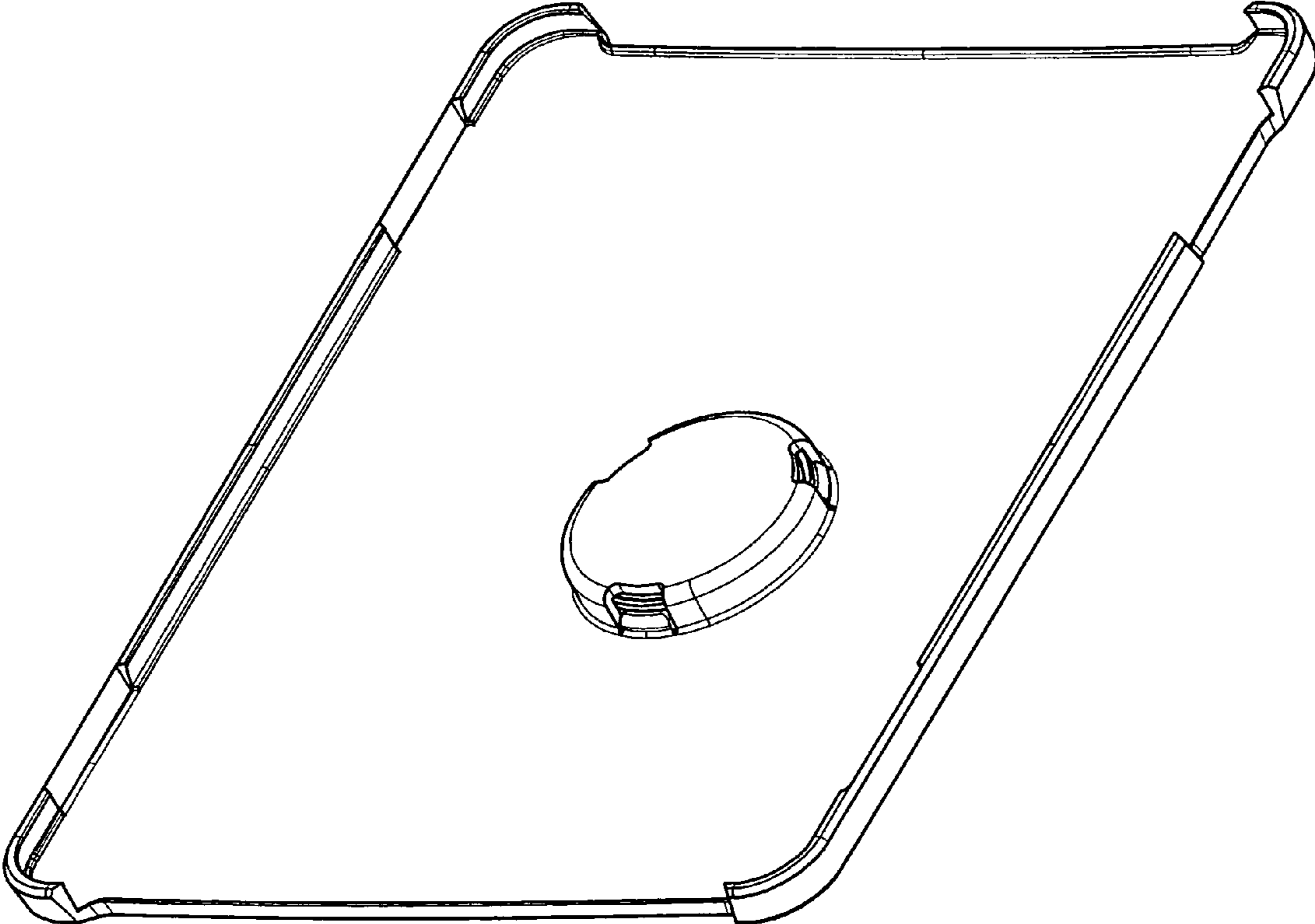
FIG. 3 is a front plan view of the base cover shown in FIG. 1;  
FIG. 4 is a back plan view of the base cover shown in FIG. 1;  
FIG. 5 is a top plan view of the base cover shown in FIG. 1, the bottom plan view being a mirror image thereof;

FIG. 6 is a right plan view of the base cover shown in FIG. 1;  
and,

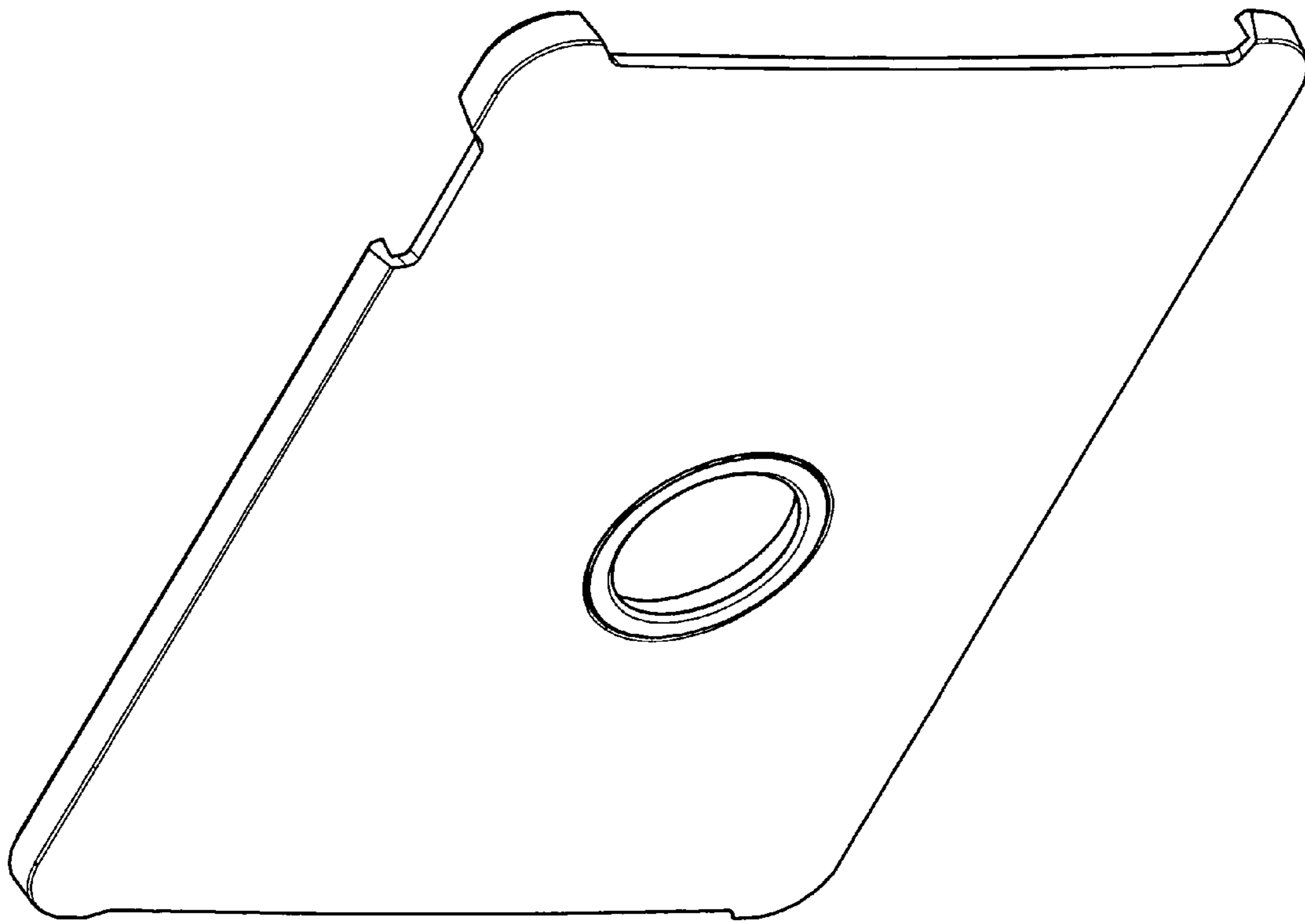
FIG. 7 is a left plan view of the base cover shown in FIG. 1.

**1 Claim, 6 Drawing Sheets**

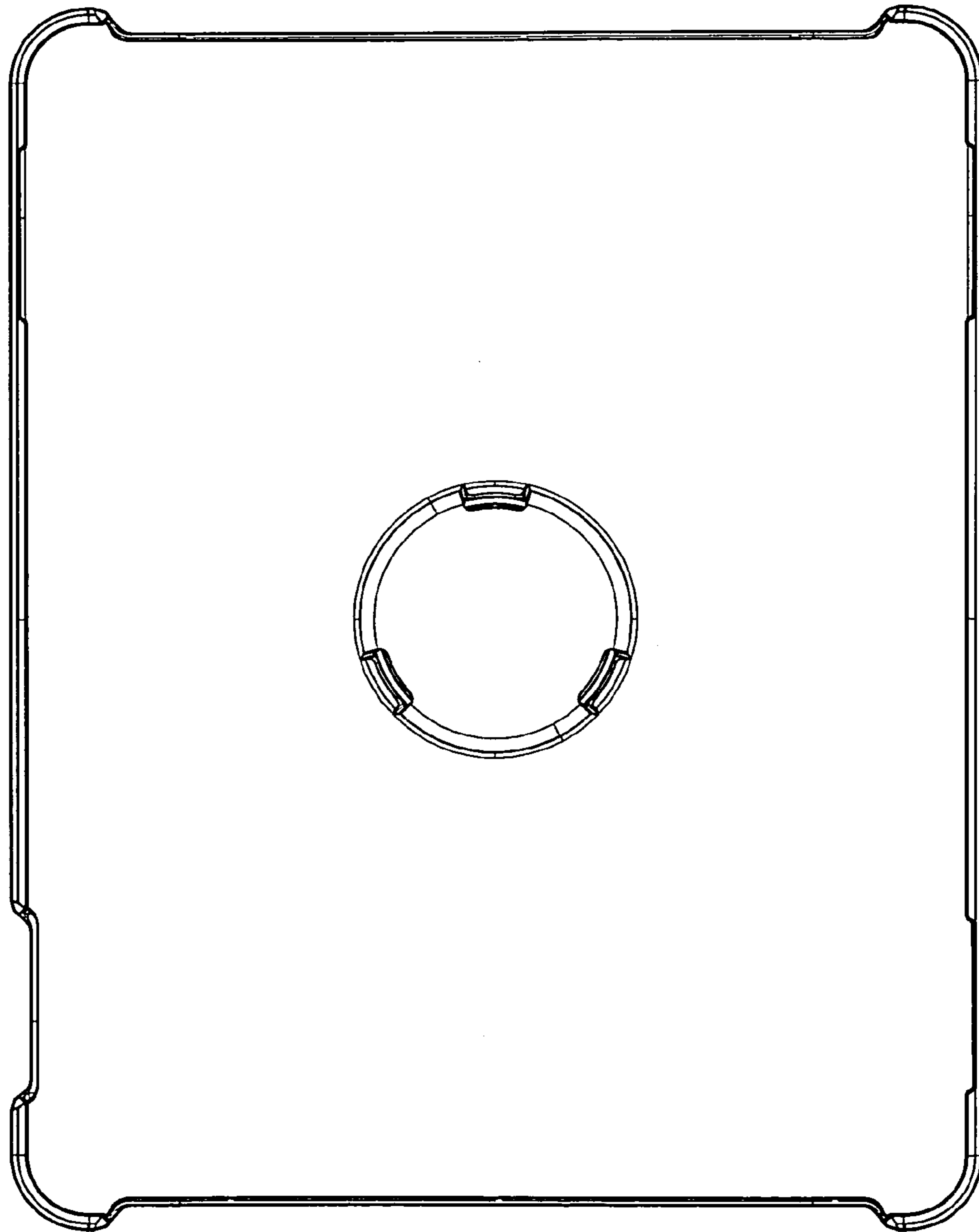




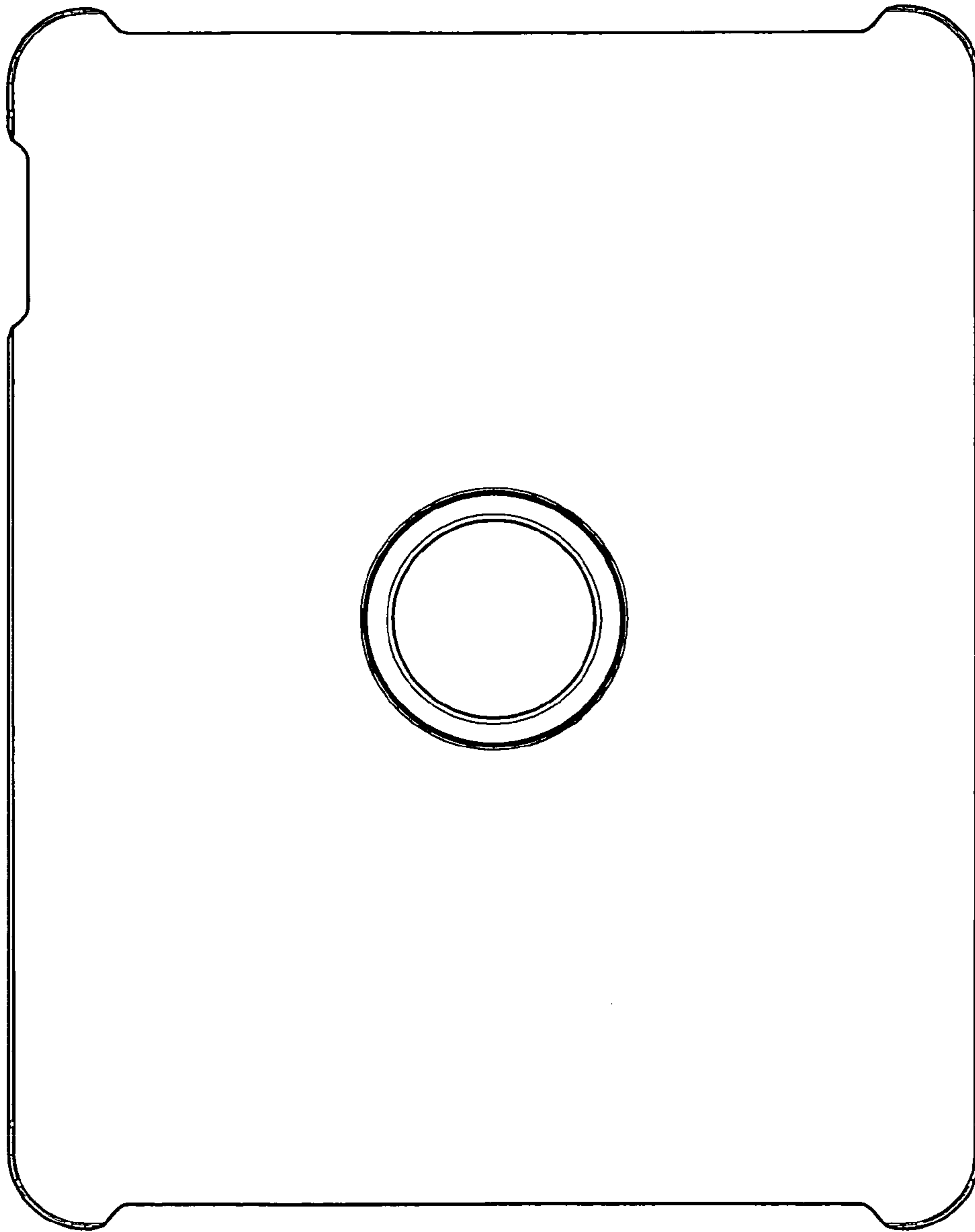
*FIG. 1*



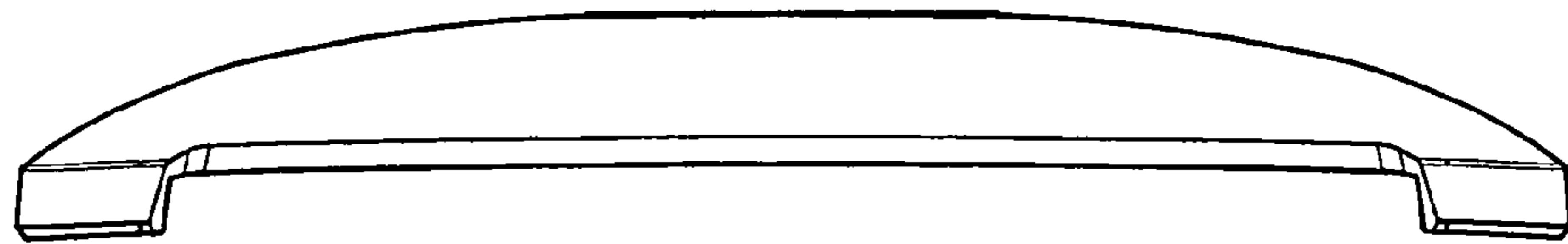
*FIG. 2*



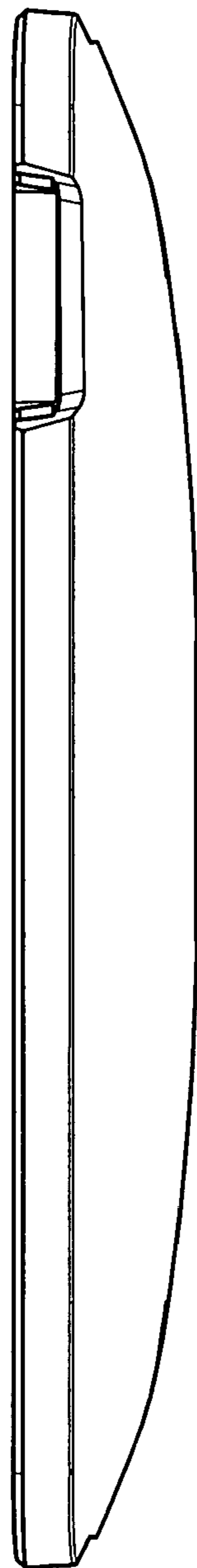
*FIG. 3*



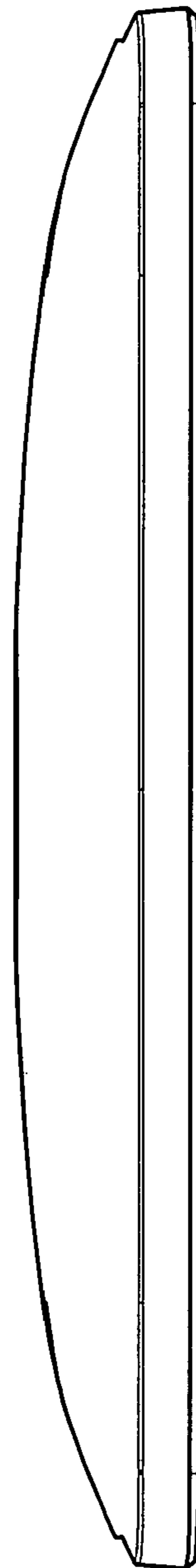
*FIG. 4*



*FIG. 5*



*FIG. 6*



*FIG. 7*