



US00D651603S

(12) **United States Design Patent**
Roysden

(10) **Patent No.:** **US D651,603 S**
(45) **Date of Patent:** **** Jan. 3, 2012**

- (54) **FLEXIBLE KEYBOARD**
- (76) Inventor: **Brunn Roysden**, Phoenix, AZ (US)
- (**) Term: **14 Years**
- (21) Appl. No.: **29/382,525**
- (22) Filed: **Jan. 5, 2011**
- (51) **LOC (9) Cl.** **14-02**
- (52) **U.S. Cl.** **D14/396**
- (58) **Field of Classification Search** D14/391-399,
D14/385, 455; D18/1, 2, 7, 11; 178/17 A,
178/17 C; 200/5 A, 5 R, 6 A, 6 R; 235/145 A,
235/145 R; 345/160, 168, 169; 341/20,
341/22, 23; 400/484-489, 492, 472; 361/679.08,
361/679.09
See application file for complete search history.

(56) **References Cited**

U.S. PATENT DOCUMENTS

- 5,457,453 A * 10/1995 Chiu et al. 341/22
- D420,655 S * 2/2000 Louis et al. D14/396
- D470,493 S * 2/2003 Tritschler et al. D14/393
- 6,628,508 B2 * 9/2003 Lieu et al. 361/679.09
- 6,975,506 B2 * 12/2005 Hsu 361/679.01

- D606,074 S * 12/2009 Gim D14/396
 - 2005/0020323 A1 * 1/2005 Kim 455/575.1
 - 2006/0002072 A1 * 1/2006 Sutton et al. 361/683
- * cited by examiner

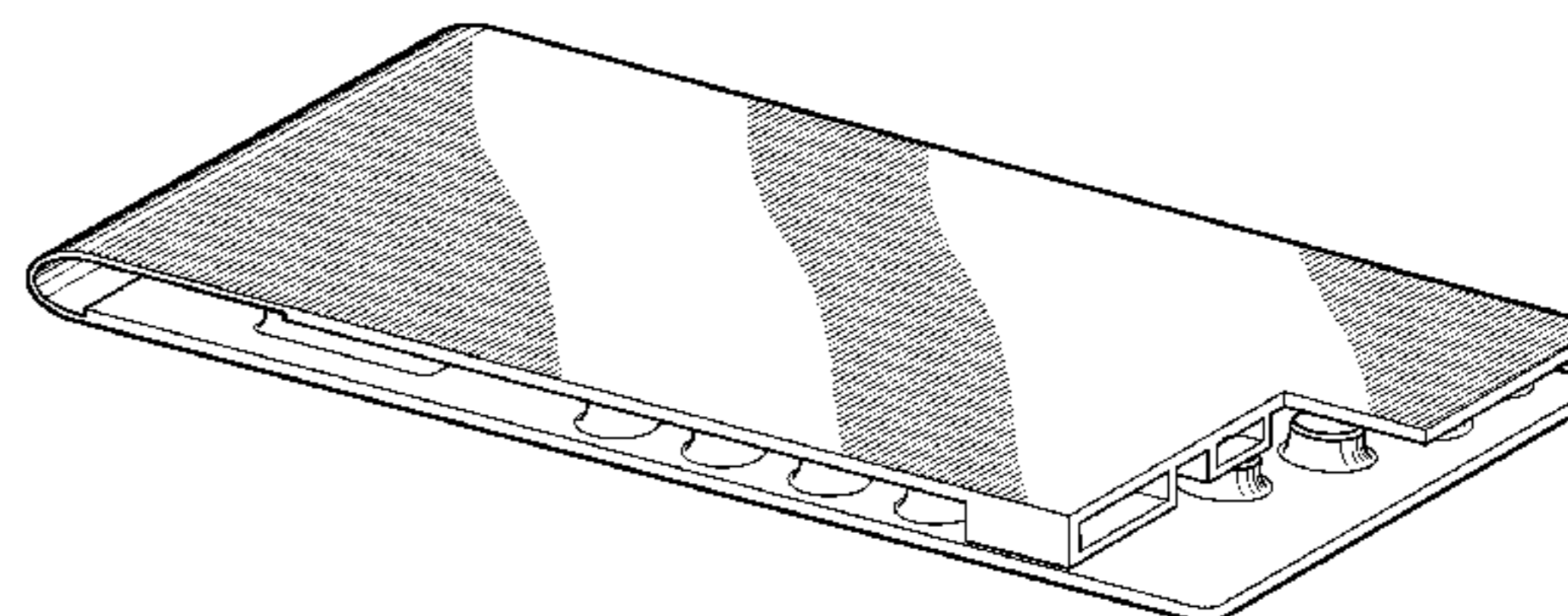
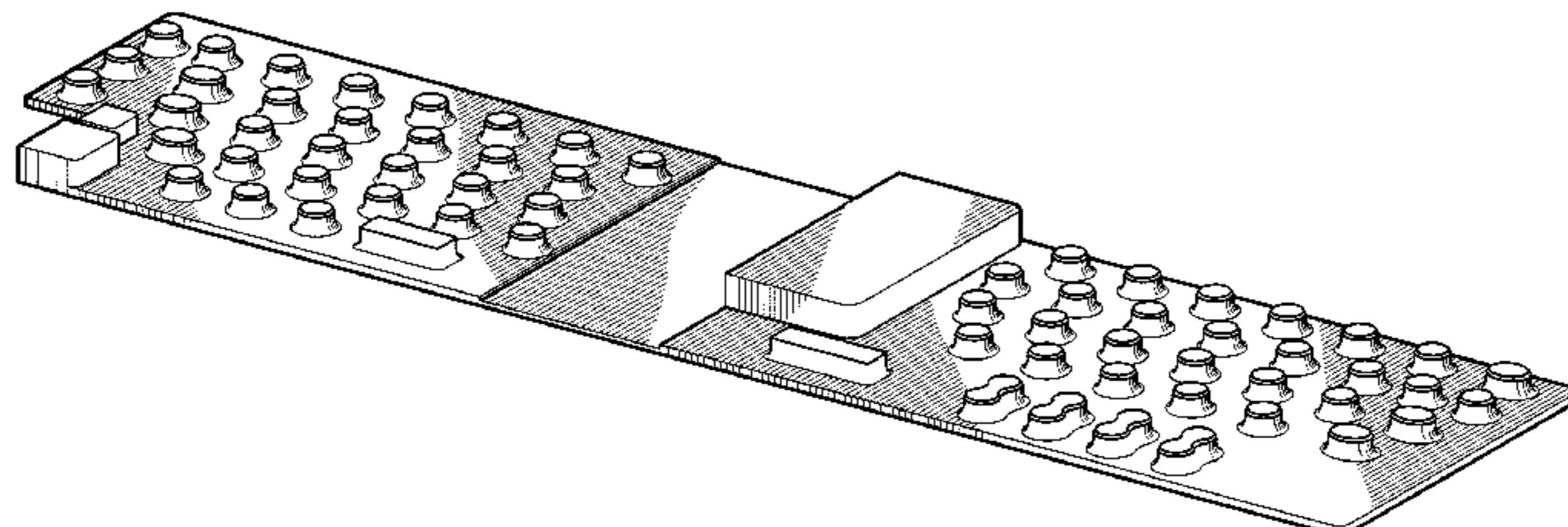
Primary Examiner — Freda S Nunn

(57) **CLAIM**
The ornamental design for a flexible keyboard, as shown and described.

DESCRIPTION

FIG. 1 is a perspective view of a flexible keyboard;
 FIG. 2 is a top plan view of the flexible keyboard;
 FIG. 3 is a bottom plan view of the flexible keyboard;
 FIG. 4 is a front elevation view of the flexible keyboard as shown in FIG. 2;
 FIG. 5 is a rear elevation view of the flexible keyboard as shown in FIG. 3;
 FIG. 6 is a left side elevation view of the flexible keyboard;
 FIG. 7 is a right side elevation view of the flexible keyboard;
 and,
 FIG. 8 is a perspective view showing the flexible keyboard folded.

1 Claim, 4 Drawing Sheets



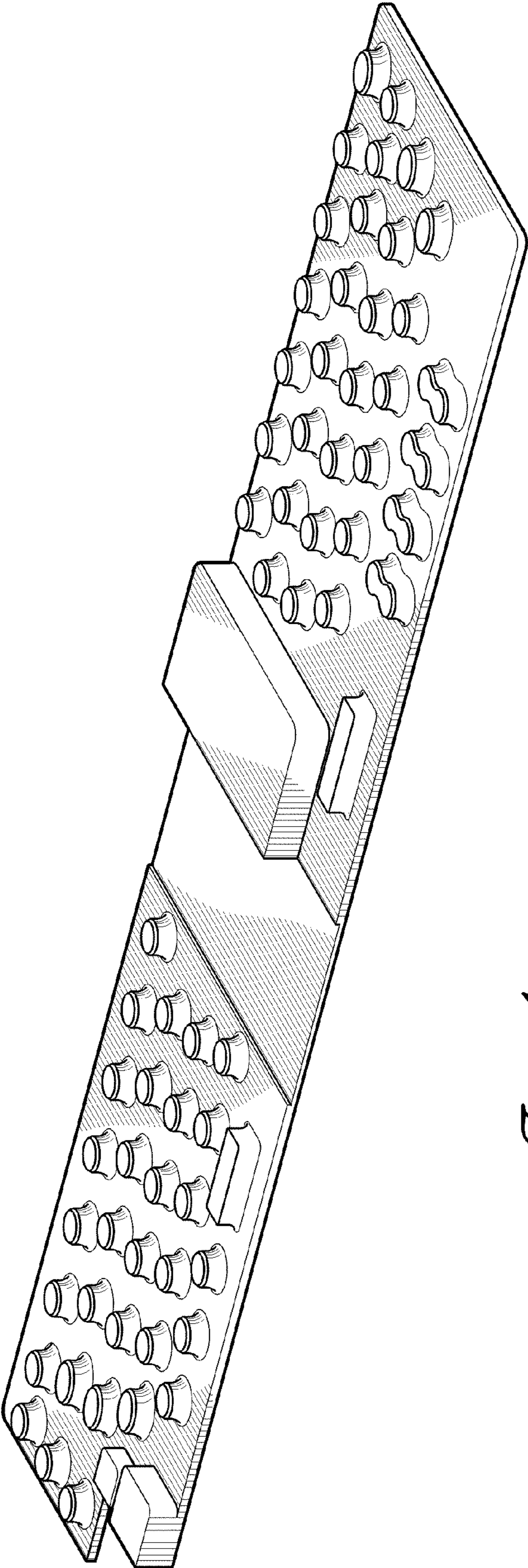


Fig. 1

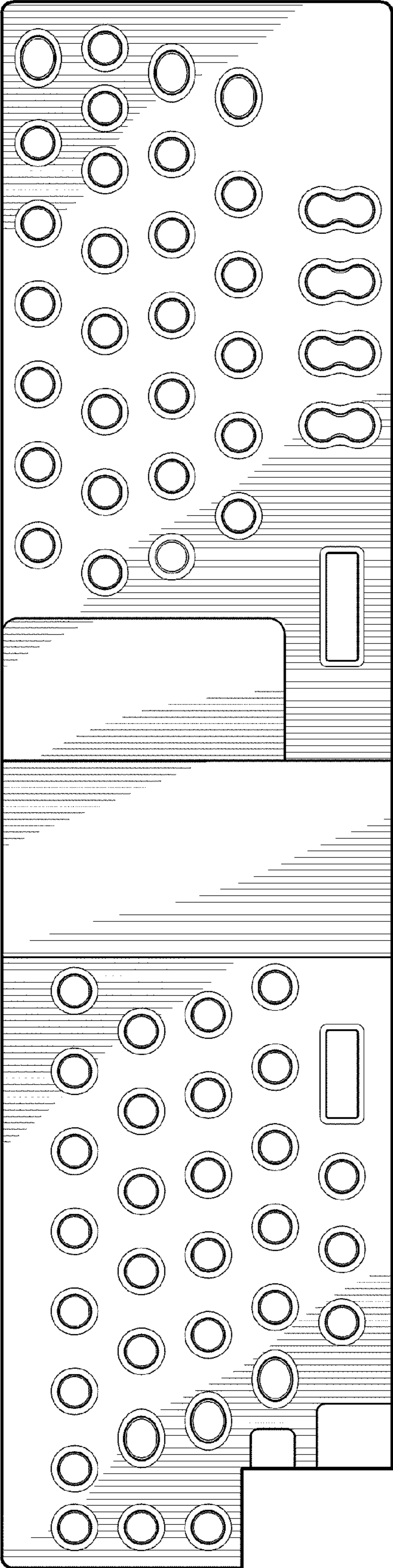


Fig. 2

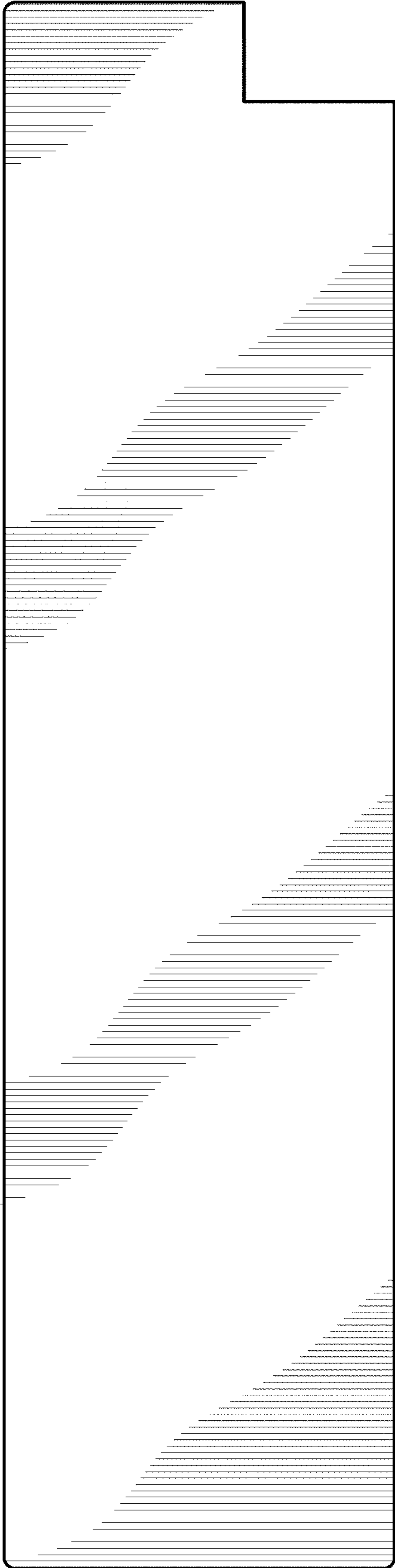


Fig. 3



Fig. 4



Fig. 5

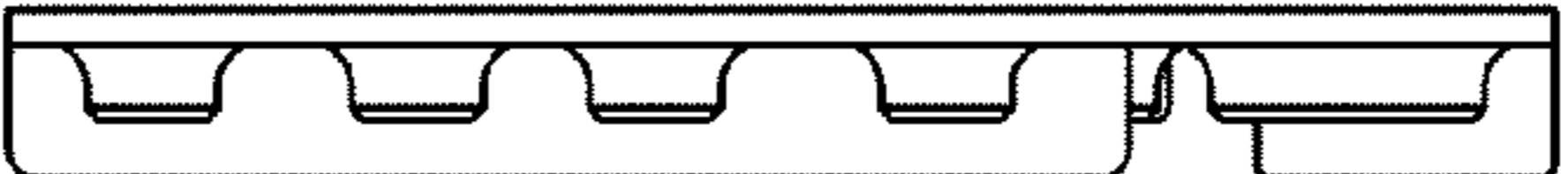


Fig. 7



Fig. 6

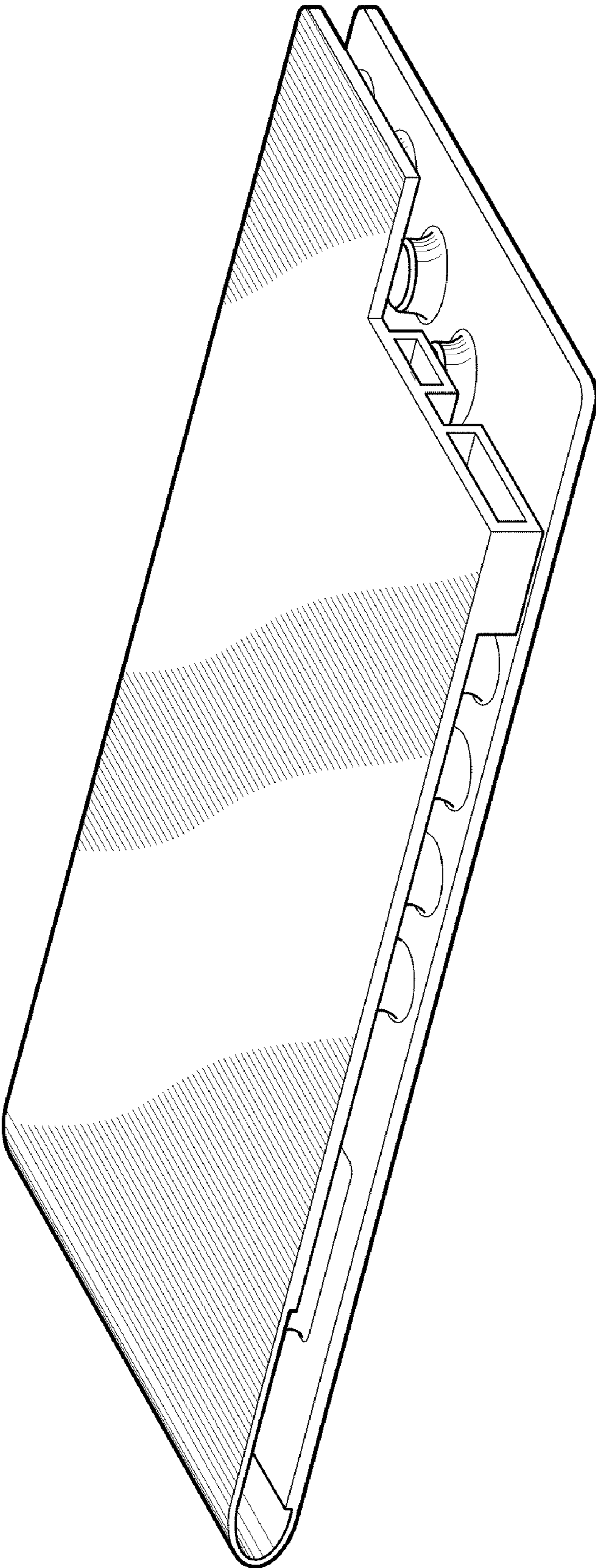


Fig. 8