



US00D651602S

(12) **United States Design Patent**  
**Andre et al.**

(10) **Patent No.:** **US D651,602 S**  
(45) **Date of Patent:** **\*\* \*Jan. 3, 2012**

(54) **MONITOR**

(75) Inventors: **Bartley K. Andre**, Menlo Park, CA (US); **Daniel J. Coster**, San Francisco, CA (US); **Daniele De Iuliis**, San Francisco, CA (US); **Evans Hankey**, San Francisco, CA (US); **Richard P. Howarth**, San Francisco, CA (US); **Jonathan P. Ive**, San Francisco, CA (US); **Duncan Robert Kerr**, San Francisco, CA (US); **Shin Nishibori**, Portola Valley, CA (US); **Matthew Dean Rohrbach**, San Francisco, CA (US); **Peter Russell-Clarke**, San Francisco, CA (US); **Douglas B. Satzger**, Menlo Park, CA (US); **Christopher J. Stringer**, Woodside, CA (US); **Eugene Antony Whang**, San Francisco, CA (US); **Rico Zorkendorfer**, San Francisco, CA (US)

(73) Assignee: **Apple Inc.**, Cupertino, CA (US)

(\*\*) Term: **14 Years**

(21) Appl. No.: **29/390,419**

(22) Filed: **Apr. 25, 2011**

**Related U.S. Application Data**

(60) Continuation of application No. 29/380,605, filed on Dec. 8, 2010, now Pat. No. Des. 638,013, which is a continuation of application No. 29/355,762, filed on Feb. 12, 2010, now Pat. No. Des. 630,210, which is a division of application No. 29/326,226, filed on Oct. 14, 2008, now abandoned, which is a continuation of application No. 29/326,078, filed on Oct. 10, 2008, now Pat. No. Des. 600,696.

(51) **LOC (9) Cl.** ..... **14-02**

(52) **U.S. Cl.** ..... **D14/374**

(58) **Field of Classification Search** ..... D14/371-375, D14/125-129, 341-346; 248/917-924, 176.1, 248/278.1, 157; 341/12; 345/104, 156, 168, 345/173, 901-905; 348/180, 184, 325, 836; 349/1, 2, 11, 62; 361/679.21-679.27

See application file for complete search history.

(56) **References Cited**

U.S. PATENT DOCUMENTS

D414,471 S 9/1999 Poole et al.

(Continued)

OTHER PUBLICATIONS

Office action dated Jul. 13, 2011 in U.S. Appl. No. 29/390,850.

(Continued)

*Primary Examiner* — Freda Nunn

(74) *Attorney, Agent, or Firm* — SAIDMAN DesignLaw Group

(57) **CLAIM**

The ornamental design for a monitor, as shown and described.

**DESCRIPTION**

FIG. 1 is a front view of a first embodiment of a monitor showing our new design;

FIG. 2 is a rear view thereof;

FIG. 3 is a left side view thereof;

FIG. 4 is a right side view thereof;

FIG. 5 is a top view thereof;

FIG. 6 is a bottom view thereof;

FIG. 7 is a front view of a second embodiment thereof;

FIG. 8 is a rear view thereof;

FIG. 9 is a left side view thereof;

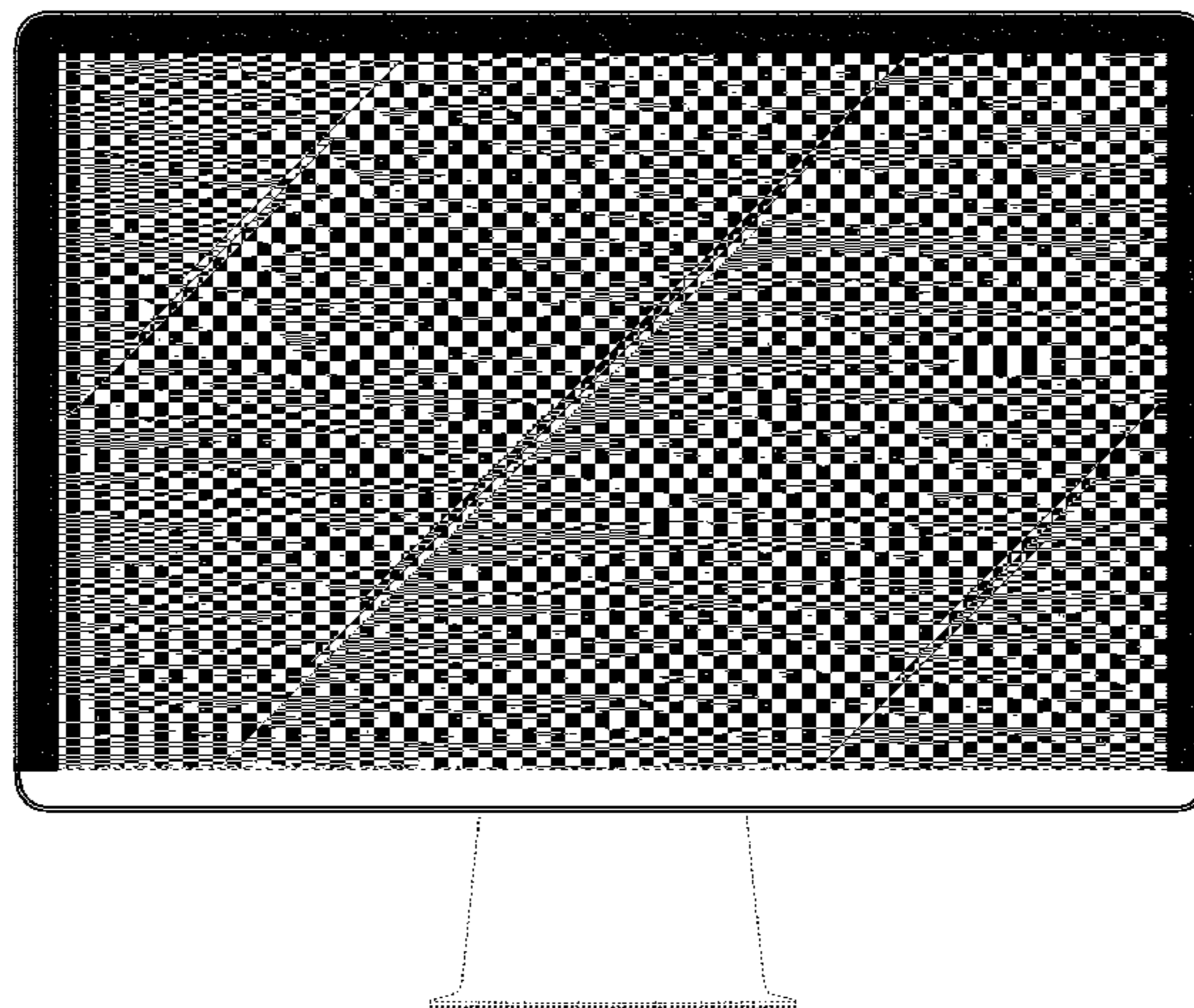
FIG. 10 is a right side view thereof;

FIG. 11 is a top view thereof; and,

FIG. 12 is a bottom view thereof.

The closely spaced parallel diagonal shade lines indicate translucency. The relatively light and thin shade lines show contour and not surface decoration. The broken lines are for the purpose of illustrating portions of the monitor and form no part of the claimed design. The black shading on the front of the monitor represents the color black and the dark gray shading on the front of the monitor represents the color gray. The light gray shading on the sides of the monitor represents a metallic surface.

**1 Claim, 8 Drawing Sheets**



# US D651,602 S

Page 2

## U.S. PATENT DOCUMENTS

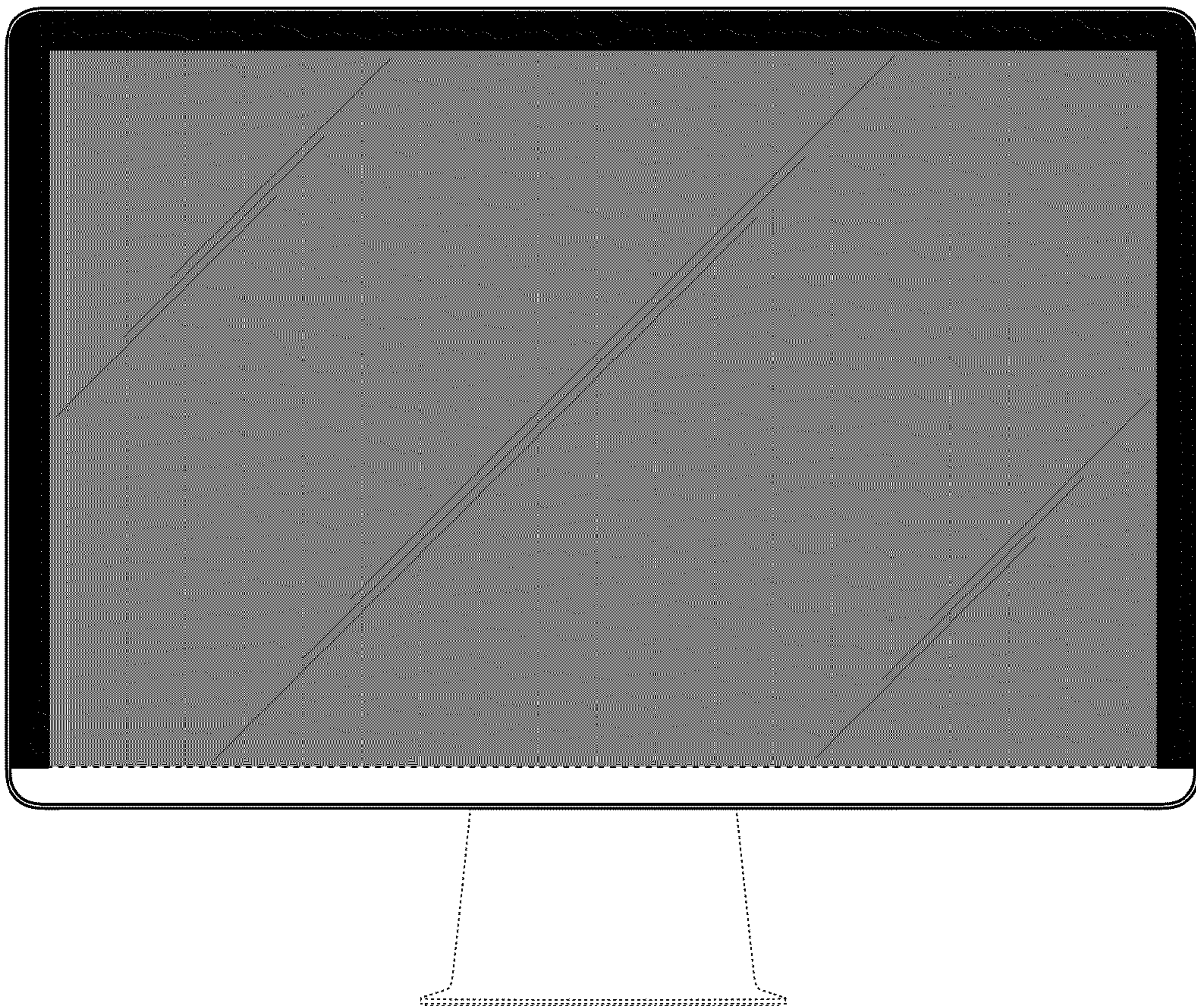
D416,877 S 11/1999 Liu et al.  
D424,033 S 5/2000 Hsu  
D424,034 S 5/2000 Li  
D432,101 S 10/2000 Oba  
D434,763 S 12/2000 Jobs et al.  
D448,031 S 9/2001 Goetz  
D456,023 S 4/2002 Andre et al.  
D457,864 S 5/2002 Bong et al.  
D464,049 S 10/2002 Goto  
D476,335 S 6/2003 Miao et al.  
D483,020 S 12/2003 Nagao et al.  
D489,042 S 4/2004 Joe et al.  
D492,291 S 6/2004 Takahashi et al.  
D492,684 S 7/2004 Ozolins et al.  
D497,364 S 10/2004 Ozolins et al.  
D499,097 S 11/2004 Tsuji et al.  
D500,037 S 12/2004 Ozolins et al.  
6,837,469 B2 1/2005 Wu et al.  
D504,876 S 5/2005 Zheng  
D504,889 S 5/2005 Andre et al.  
D510,730 S 10/2005 Asanuma et al.  
D516,557 S 3/2006 Noda et al.  
7,014,154 B2 3/2006 Jeong et al.  
D530,329 S 10/2006 Chen et al.  
D532,011 S 11/2006 Andre et al.

D541,234 S 4/2007 Iijima et al.  
D541,278 S 4/2007 Hsu et al.  
D541,799 S 5/2007 Andre et al.  
D543,517 S 5/2007 Chikuma et al.  
D549,673 S 8/2007 Niitsu  
D556,755 S 12/2007 Lee et al.  
D562,274 S 2/2008 Wang  
D565,518 S 4/2008 Tu  
D566,066 S 4/2008 Wang  
D567,196 S 4/2008 Shih  
D570,841 S 6/2008 Kim et al.  
D621,841 S 8/2010 Andre et al.  
D630,210 S 1/2011 Andre et al.  
D638,013 S \* 5/2011 Andre et al. .... D14/374  
2003/0058372 A1 3/2003 Williams et al.  
2006/0237599 A1 10/2006 Ternus et al.

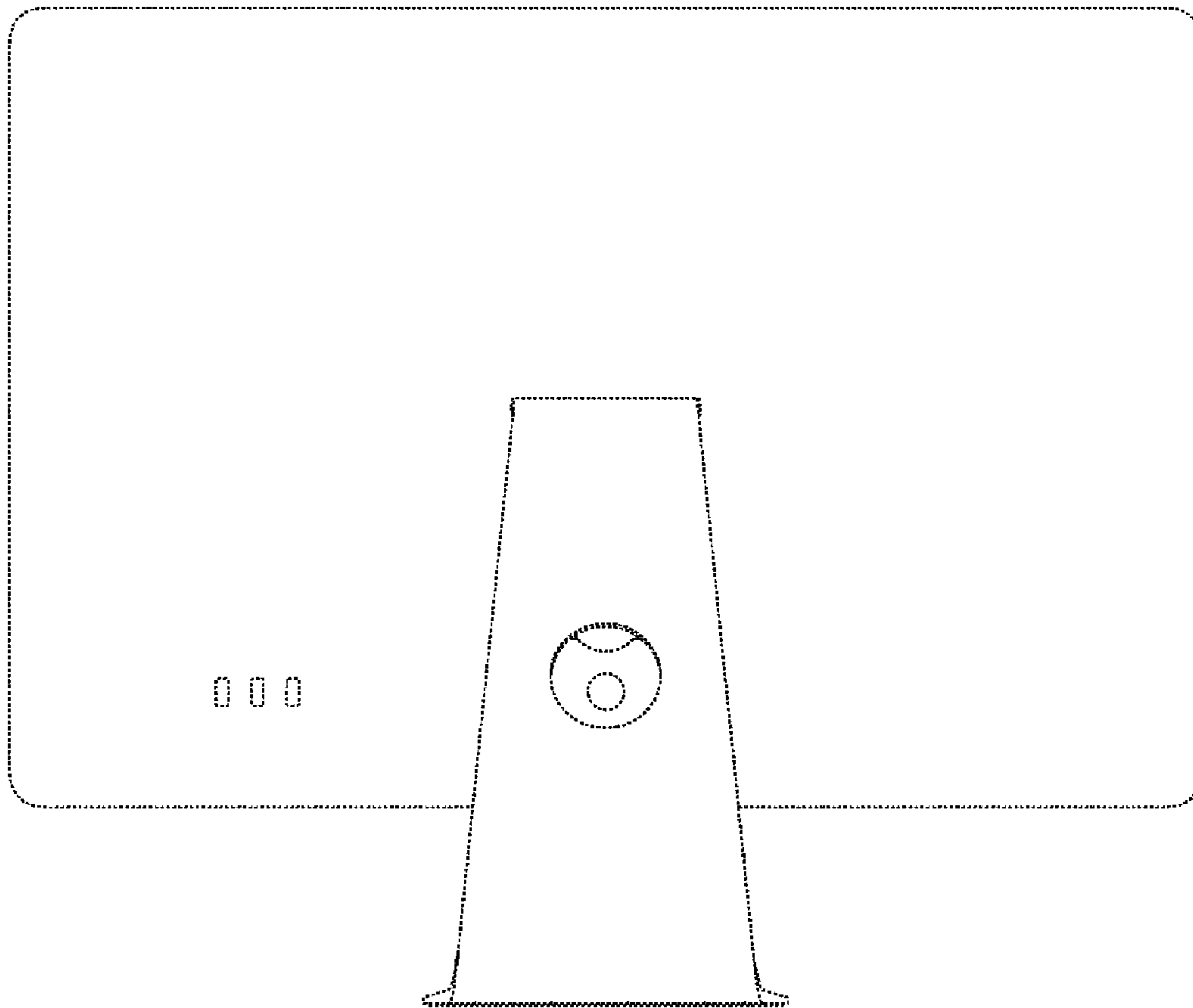
## OTHER PUBLICATIONS

Office action dated Aug. 12, 2011 in U.S. Appl. No. 29/391,177.  
U.S. Appl. No. 29/390,850 entitled "Electronic Device" filed Apr. 29, 2011.  
U.S. Appl. No. 29/391,177 entitled "Computer" filed May 4, 2011.  
U.S. Appl. No. 29/396,407 entitled "Electronic Device" filed Jun. 29, 2011.

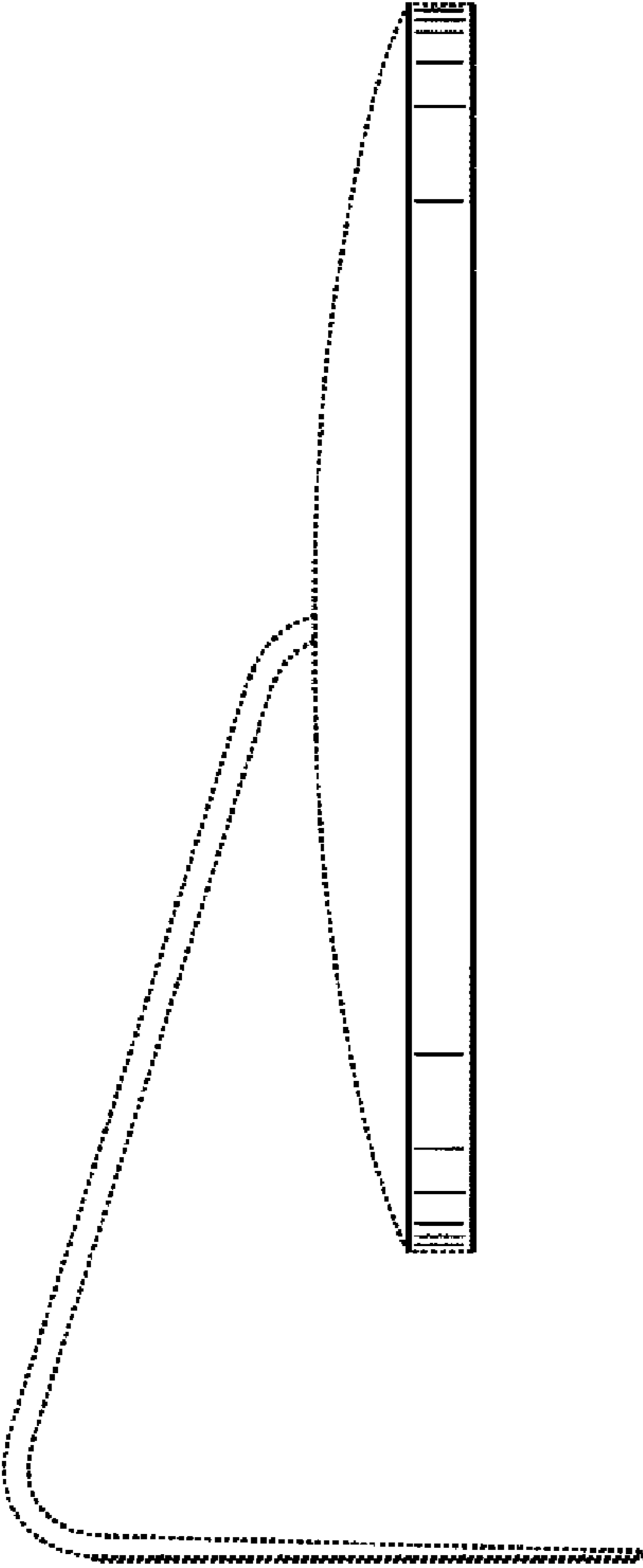
\* cited by examiner



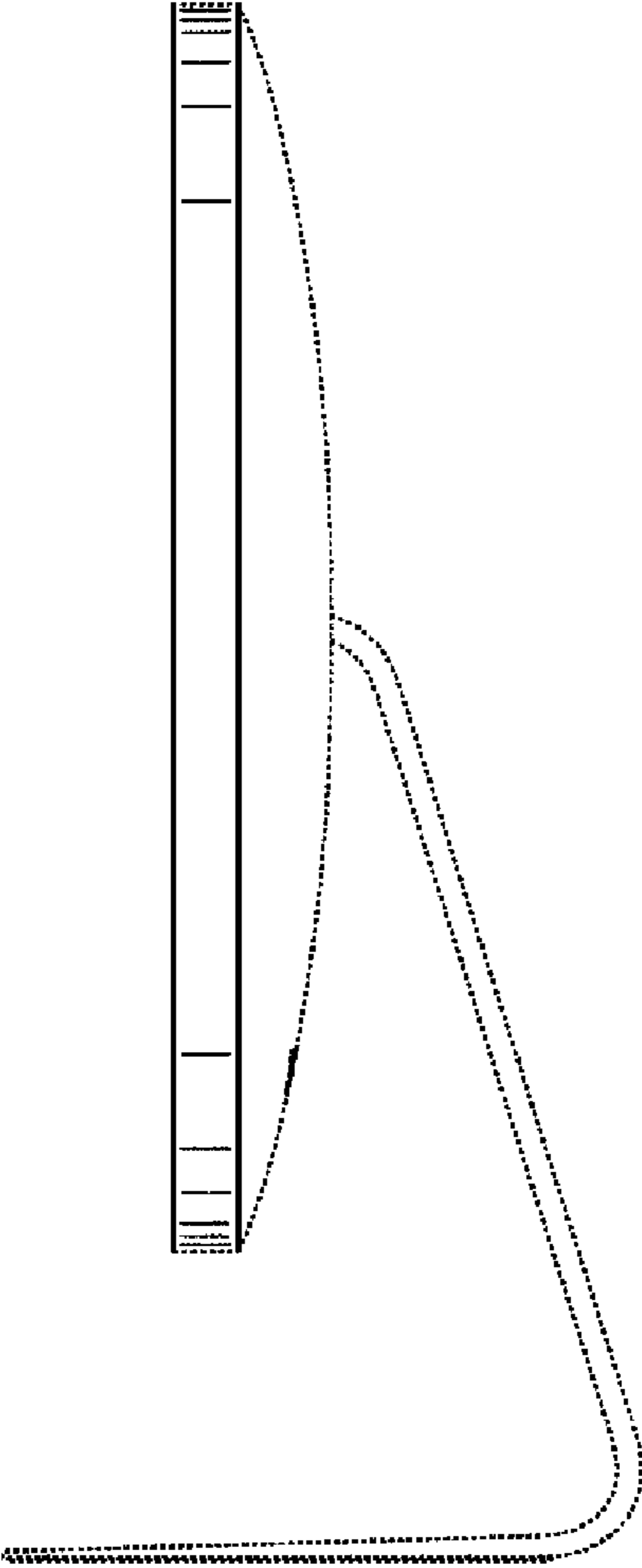
**Fig. 1**



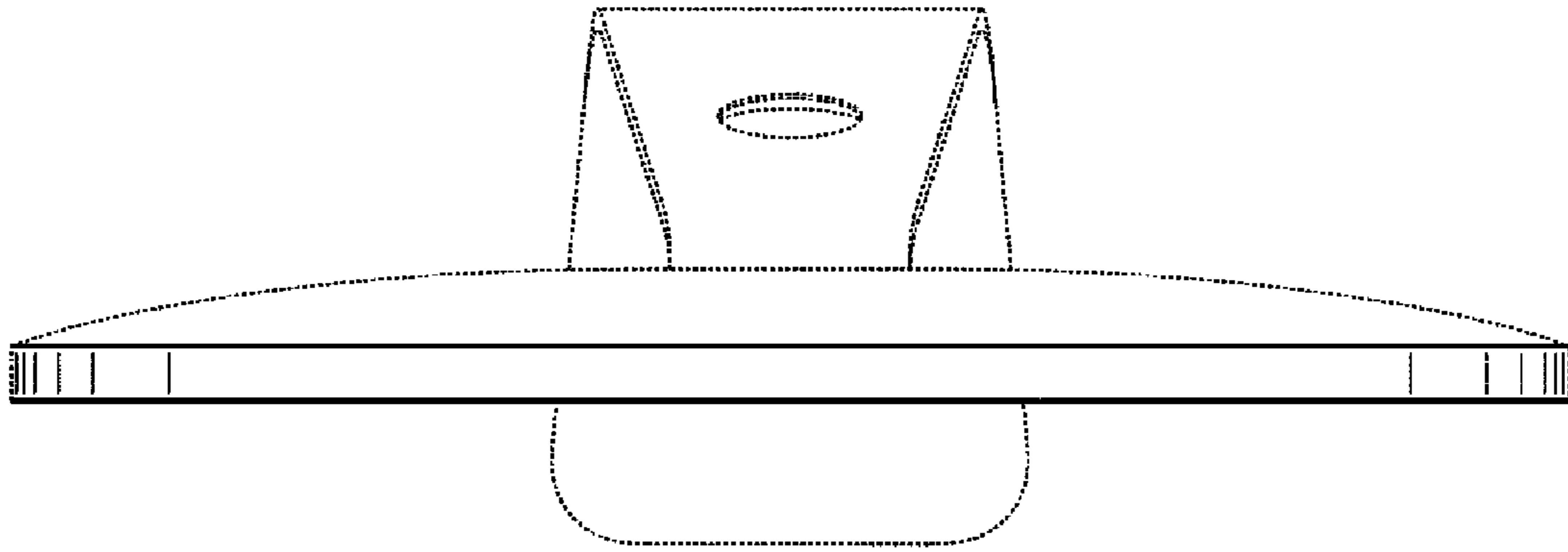
**Fig. 2**



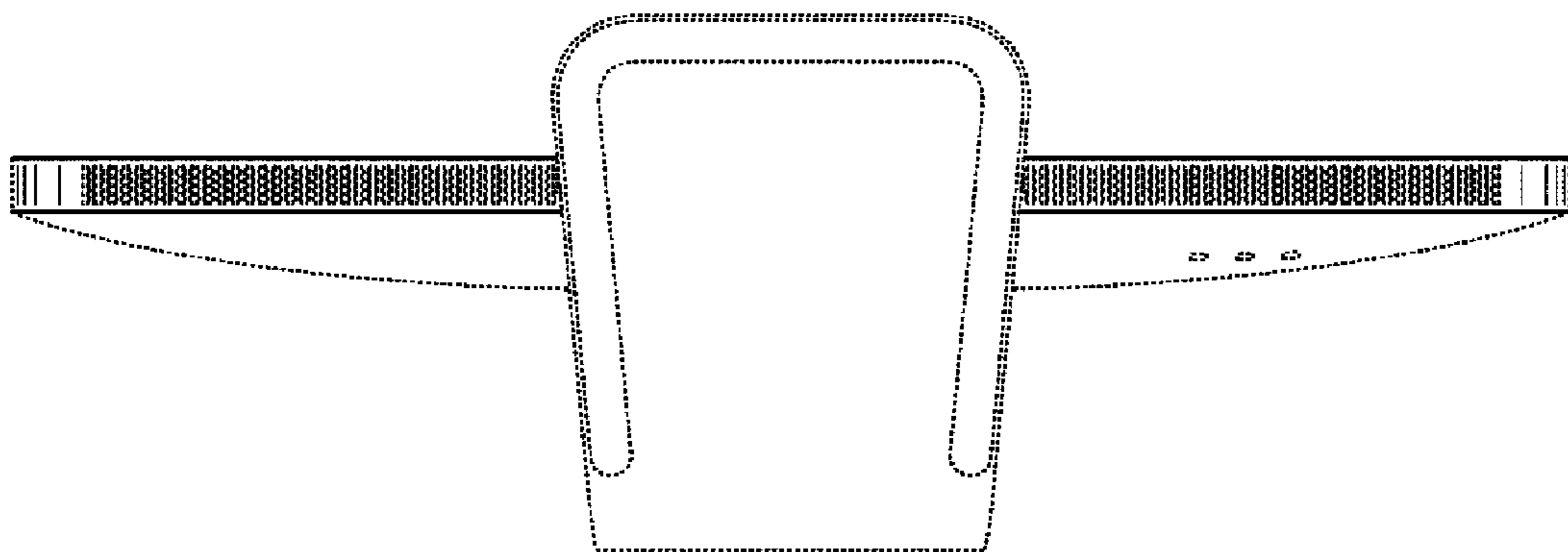
**Fig. 3**



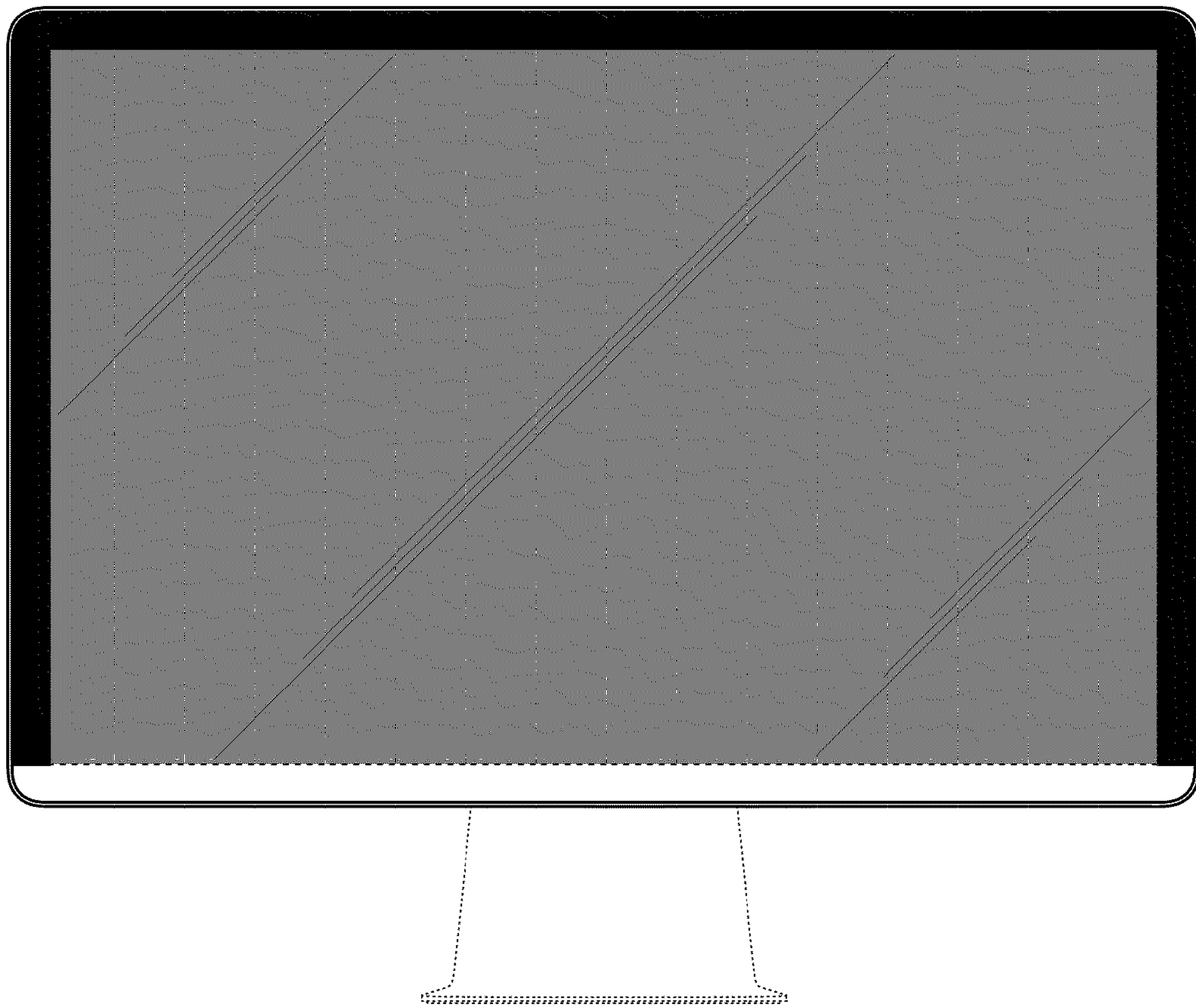
**Fig. 4**



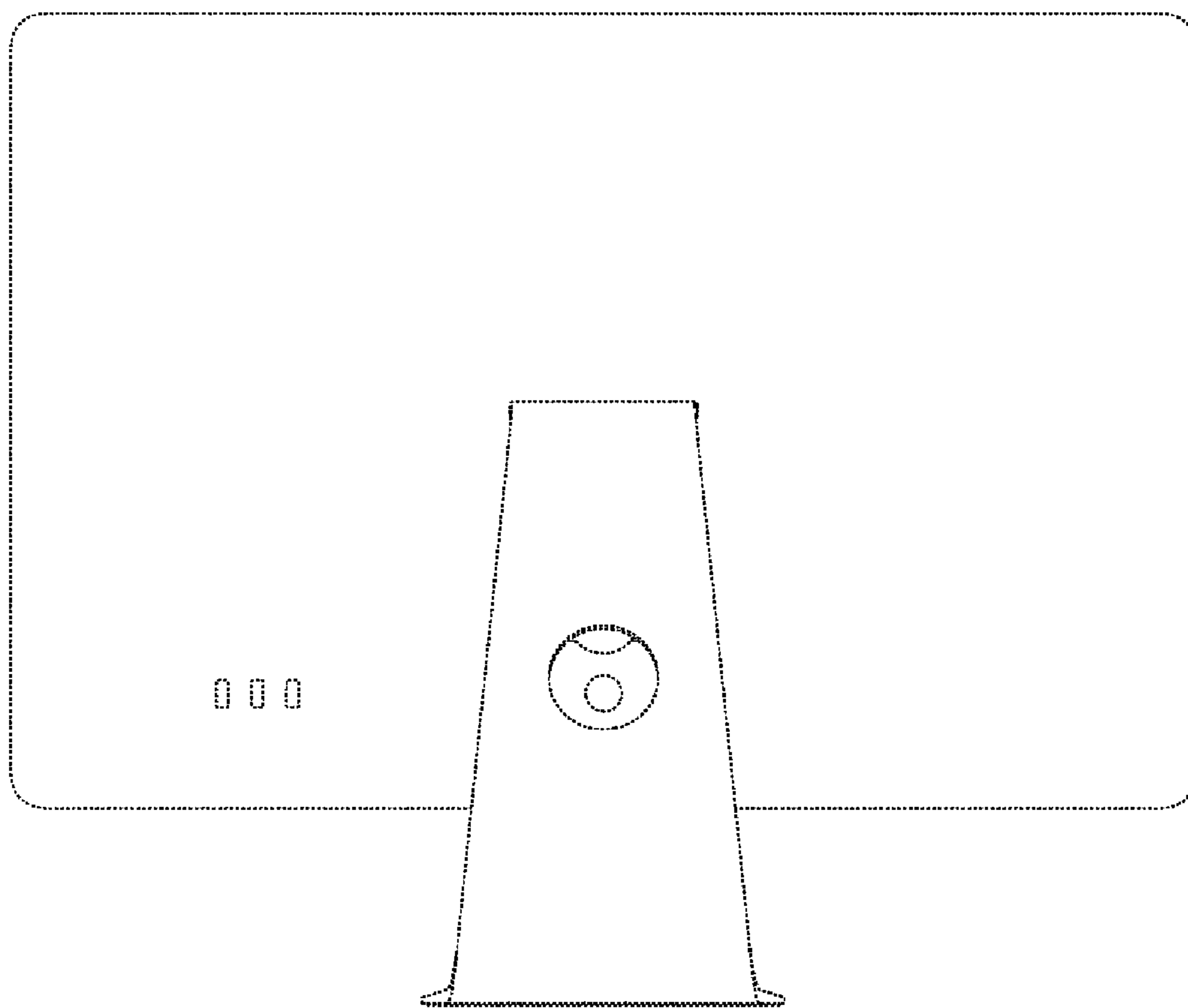
**Fig. 5**



**Fig. 6**

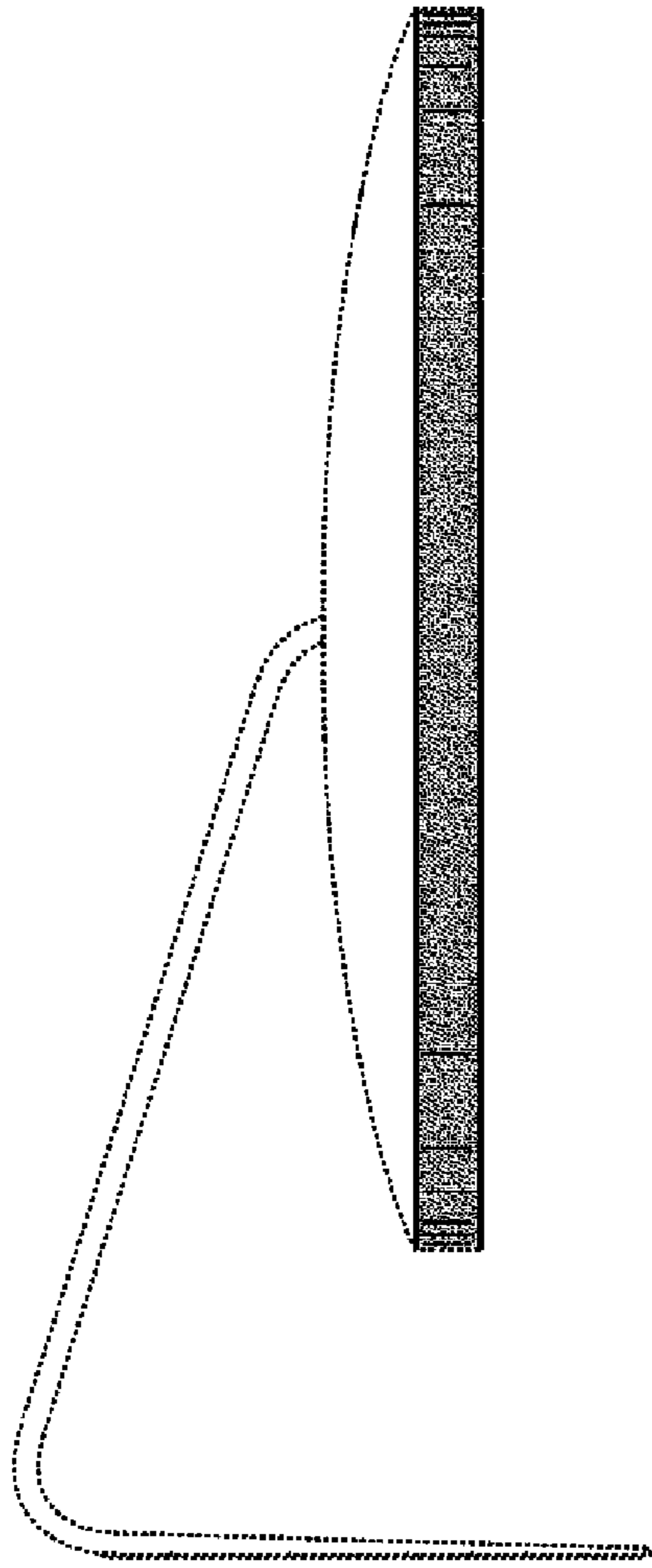


**Fig. 7**

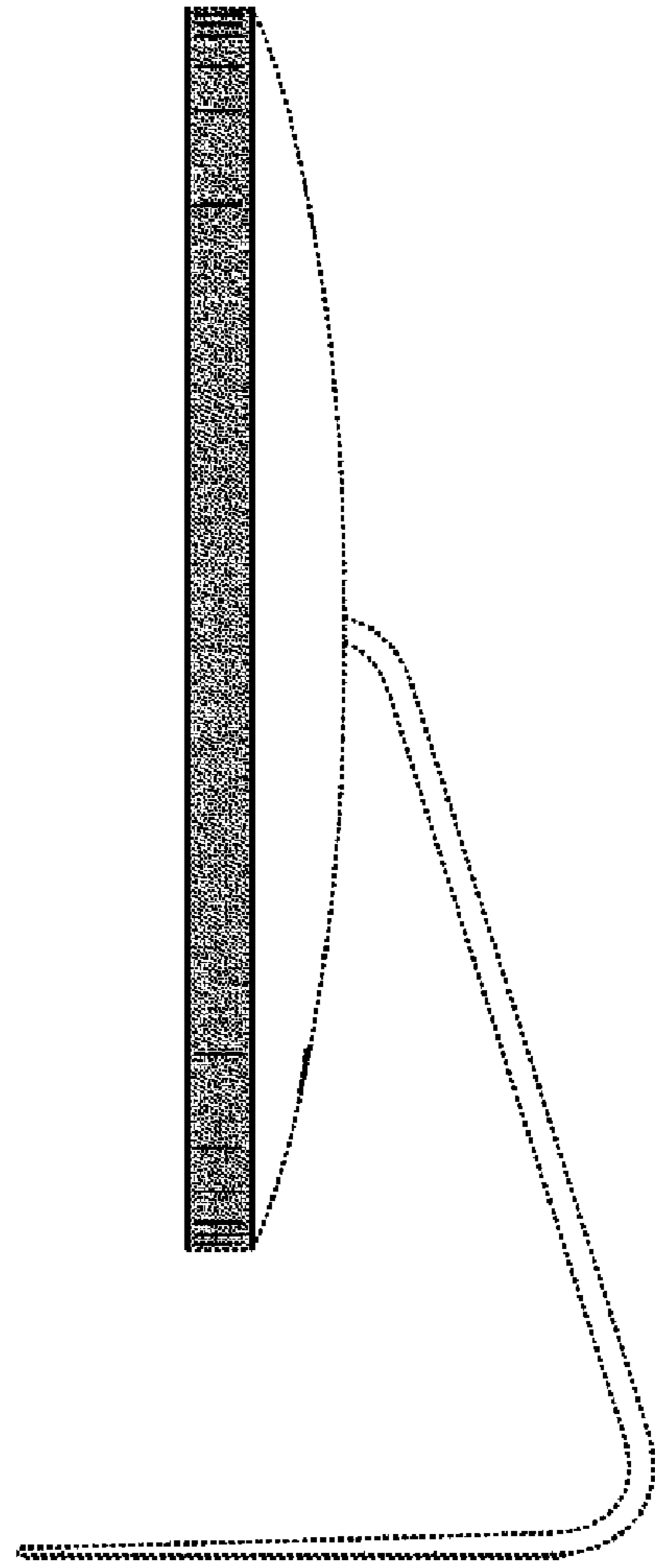


**Fig. 8**

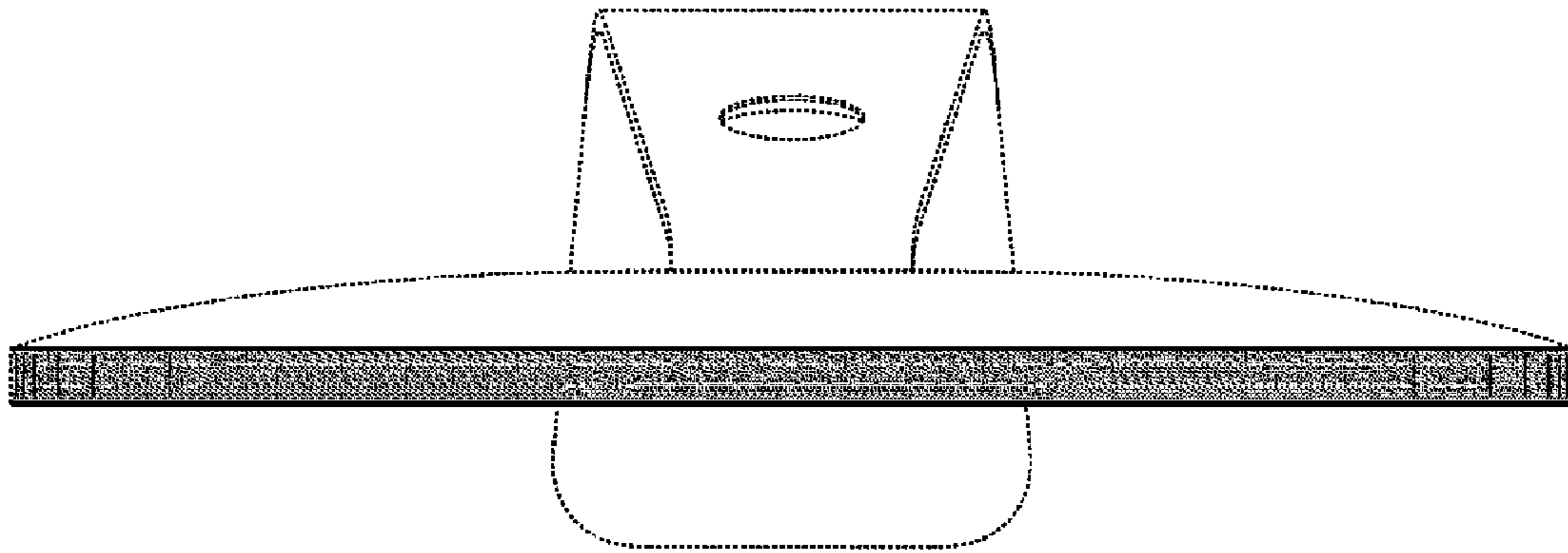




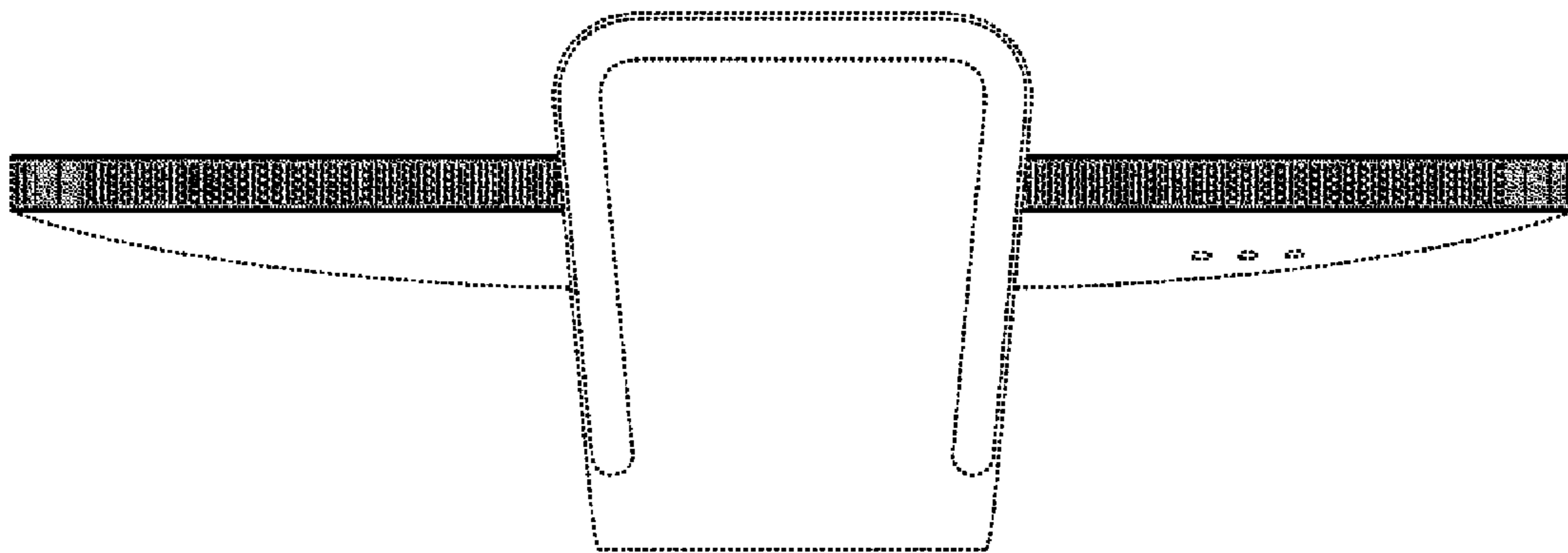
**Fig. 9**



**Fig. 10**



**Fig. 11**



**Fig. 12**