



US00D651598S

(12) **United States Design Patent**
Kim et al.

(10) **Patent No.:** **US D651,598 S**

(45) **Date of Patent:** **** Jan. 3, 2012**

(54) **NOTEBOOK COMPUTER**

(75) Inventors: **Dae-Joung Kim**, Seoul (KR); **Sang-II Park**, Kyunggi-do (KR); **Woo-Seok Lee**, Seoul (KR); **Soo-Jung Ham**, Seoul (KR)

(73) Assignee: **Samsung Electronics Co., Ltd.**, Suwon (KR)

(**) Term: **14 Years**

(21) Appl. No.: **29/390,415**

(22) Filed: **Apr. 25, 2011**

(30) **Foreign Application Priority Data**

Dec. 13, 2010 (KR) 30-2010-0053817

(51) **LOC (9) Cl.** **14-02**

(52) **U.S. Cl.** **D14/315**

(58) **Field of Classification Search** D14/315-328;
D18/1, 2, 7, 11; 235/145 A, 145 R; 341/22,
341/23; 345/104, 156, 168, 169, 173, 87,
345/901-905; 361/679.08-679.18, 679.27;
400/486, 489

See application file for complete search history.

(56) **References Cited**

U.S. PATENT DOCUMENTS

D332,944 S	2/1993	Kim	
D334,738 S	4/1993	Kim	
D335,870 S	5/1993	Yun	
D336,465 S	6/1993	Kim	
D338,457 S	8/1993	Kim	
D348,442 S	7/1994	Yoon	
D416,238 S *	11/1999	Irie et al. D14/318
6,067,224 A *	5/2000	Nobuchi 361/679.27
6,259,597 B1 *	7/2001	Anzai et al. 361/679.55
D463,797 S *	10/2002	Andre et al. D14/327
6,519,139 B2 *	2/2003	Kambayashi 361/679.09
D492,678 S	7/2004	Kim et al.	

D523,010 S	6/2006	Paek et al.
D523,431 S	6/2006	Yoon
D523,851 S	6/2006	Jeong et al.
D523,852 S	6/2006	Kim et al.
D524,306 S	7/2006	Yun et al.
D524,307 S	7/2006	Kim et al.
D535,652 S	1/2007	Lee et al.
D547,309 S	7/2007	Yoon
D547,310 S	7/2007	Yoon
D556,192 S	11/2007	Jeong et al.

(Continued)

FOREIGN PATENT DOCUMENTS

KR 3005506890000 1/2010

(Continued)

OTHER PUBLICATIONS

U.S. Appl. No. 29/370,831, Applicant: Seung-Ho Jung, et al., filed Sep. 10, 2010 entitled Notebook Computer. .

(Continued)

Primary Examiner — Freda S Nunn

(74) *Attorney, Agent, or Firm* — Wood, Herron & Evans, LLP

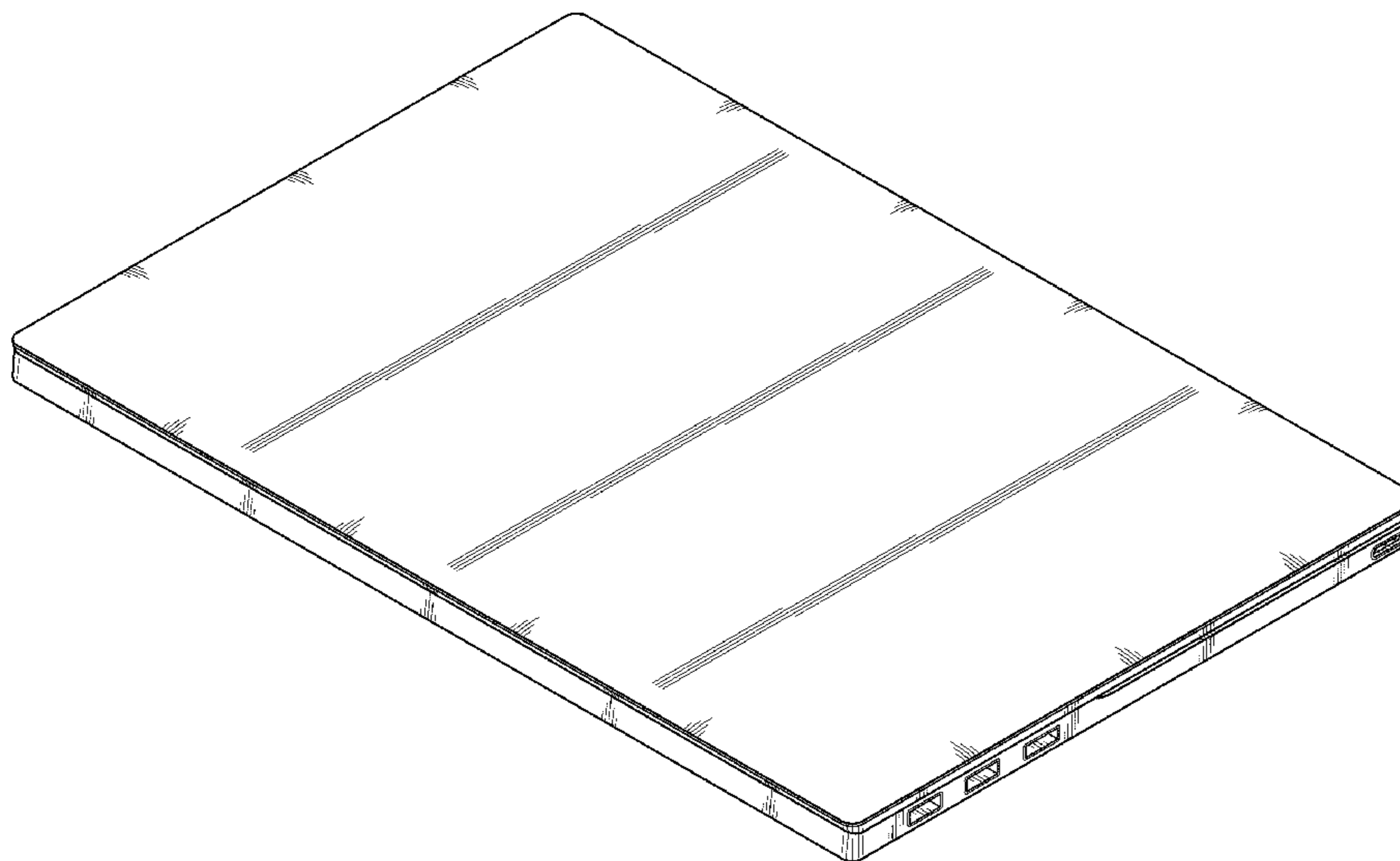
(57) **CLAIM**

The ornamental design for a notebook computer, as shown and described.

DESCRIPTION

FIG. 1 is a top front perspective view of a notebook computer showing our new design;
FIG. 2 is a front elevational view thereof;
FIG. 3 is a rear elevational view thereof;
FIG. 4 is a left side elevational view thereof;
FIG. 5 is a right side elevational view thereof;
FIG. 6 is a top plan view thereof; and,
FIG. 7 is a bottom plan view thereof.

1 Claim, 4 Drawing Sheets



US D651,598 S

U.S. PATENT DOCUMENTS

D564,511	S	*	3/2008	Akhtar	D14/318
D567,236	S		4/2008	Yoon	
D578,523	S		10/2008	Yoon	
D578,524	S		10/2008	Yoon	
D578,525	S		10/2008	Yoon	
D580,432	S		11/2008	Yun et al.	
D586,343	S		2/2009	Lee et al.	
D586,796	S		2/2009	Lee et al.	
D586,797	S		2/2009	Kawase et al.	
D587,701	S		3/2009	Yoon	
7,542,284	B1	*	6/2009	Wilson, Sr.	361/679.45
D596,633	S		7/2009	Kawase et al.	
D601,138	S	*	9/2009	Solomon et al.	D14/315
D603,391	S		11/2009	Song et al.	
D603,392	S		11/2009	Jeong et al.	
D603,393	S		11/2009	Paek	
D603,394	S		11/2009	Lee	
D603,395	S		11/2009	Hong et al.	
D603,861	S		11/2009	Hong et al.	
D604,291	S	*	11/2009	Andre et al.	D14/315
D606,067	S		12/2009	Yoon	
D606,068	S		12/2009	Hong et al.	
D606,069	S		12/2009	Heck et al.	
D606,070	S		12/2009	Heck et al.	
D606,534	S		12/2009	Hong et al.	
D608,777	S		1/2010	Yoon	
D611,468	S		3/2010	Yun et al.	
D614,614	S		4/2010	Yoon	
D614,615	S		4/2010	Yoon	
D622,268	S		8/2010	Hong et al.	
D626,543	S		11/2010	Hagen	
D627,341	S		11/2010	Yoon	
D627,773	S		11/2010	Paek	
D628,195	S		11/2010	Yoon	
D631,040	S		1/2011	Yoon et al.	
D631,471	S		1/2011	Jensen et al.	
D631,472	S		1/2011	Kawase et al.	
D631,473	S		1/2011	Lee et al.	
D631,878	S		2/2011	Jensen et al.	
D631,879	S		2/2011	Kawase	
D633,487	S		3/2011	Kim et al.	
D633,488	S		3/2011	Kim et al.	
D633,489	S		3/2011	Kim et al.	
D633,490	S		3/2011	Kim et al.	
2003/0151888	A1	*	8/2003	Chien et al.	361/680
2005/0018396	A1	*	1/2005	Nakajima et al.	361/683
2005/0041378	A1	*	2/2005	Hamada et al.	361/680

FOREIGN PATENT DOCUMENTS

KR	3005544080000	3/2010
KR	3005639120000	6/2010
KR	3005639130000	6/2010
KR	3005942330000	4/2011
KR	3005958550000	4/2011
KR	3006013110001	6/2011
KR	3006013130000	6/2011
KR	3006013160000	6/2011
KR	3006013170000	6/2011
KR	3006052790000	7/2011
KR	3006052810000	7/2011
KR	3006052820000	7/2011
KR	3006052830000	7/2011
KR	3006063210000	7/2011
KR	3006064090000	7/2011
KR	3006083610000	8/2011

KR	3006083630000	8/2011
KR	3006083710000	8/2011
KR	3006085180000	8/2011

OTHER PUBLICATIONS

U.S. Appl. No. 29/349,008, Applicant: Se-O Lee, et al., filed Mar. 2, 2010 entitled Net Book.

U.S. Appl. No. 29/349,010, Applicant: Seung-Hyun Paek, et al., filed Mar. 2, 2010 entitled Net Book.

U.S. Appl. No. 29/349,022, Applicant: Sang-Won Yoon, et al., filed Mar. 2, 2010 entitled Net Book.

U.S. Appl. No. 29/349,397, Applicant: Atsushi Kawase, filed Mar. 31, 2010 entitled Net Book.

U.S. Appl. No. 29/349,402, Applicant: Atsushi Kawase, filed Mar. 31, 2010 entitled Note Book.

U.S. Appl. No. 29/349,403, Applicant: Atsushi Kawase, filed Mar. 31, 2010 entitled Net Book.

U.S. Appl. No. 29/370,568, Applicant: Felix Heck, et al., filed Aug. 5, 2010 entitled Netbook Computer.

U.S. Appl. No. 29/370,567, Applicant: Sang-Won Yoon, et al., filed Aug. 5, 2010 entitled Notebook Computer.

U.S. Appl. No. 29/372,114, Applicant: Ji-Hyun Moon, et al., filed Oct. 15, 2010 entitled Notebook Computer.

U.S. Appl. No. 29/370,053, Applicant: Chung-Ha Kim, et al., filed Feb. 23, 2011 entitled Notebook Computer.

U.S. Appl. No. 29/390,400, Applicant: Lee, et al., filed Apr. 25, 2011 entitled Notebook Computer.

U.S. Appl. No. 29/390,401, Applicant: Lee, et al., filed Apr. 25, 2011 entitled Notebook Computer.

U.S. Appl. No. 29/390,437, Applicant: Kim, et al., filed Apr. 25, 2011 entitled Notebook Computer.

U.S. Appl. No. 29/390,418, Applicant: Kim, et al., filed Apr. 25, 2011 entitled Notebook Computer.

U.S. Appl. No. 29/390,440, Applicant: Kim, et al., filed Apr. 25, 2011 entitled Cradle for Notebook Computer.

U.S. Appl. No. 29/390,448, Applicant: Lee, et al., filed Apr. 25, 2011 entitled Battery for Notebook Computer.

U.S. Appl. No. 29/390,450, Applicant: Lee, et al., filed Apr. 25, 2011 entitled Netbook Computer.

U.S. Appl. No. 29/390,455, Applicant: Kim, et al., filed Apr. 25, 2011 entitled Netbook Computer.

U.S. Appl. No. 29/390,460, Applicant: Park, et al., filed Apr. 25, 2011 entitled Notebook Computer.

U.S. Appl. No. 29/390,465, Applicant: Lee, et al., filed Apr. 25, 2011 entitled Notebook Computer.

U.S. Appl. No. 29/393,979, Applicant: Park, et al., filed Jun. 10, 2011 entitled Notebook Computer.

U.S. Appl. No. 29/393,980, Applicant: Park, et al., filed Jun. 10, 2011 entitled Notebook Computer.

U.S. Appl. No. 29/393,983, Applicant: Park, et al., filed Jun. 10, 2011 entitled Notebook Computer.

U.S. Appl. No. 29/396,993, Applicant: Kim, et al., filed Jul. 11, 2011 entitled Notebook Computer.

U.S. Appl. No. 29/397,032, Applicant: Kim, et al., filed Jul. 11, 2011 entitled Notebook Computer.

U.S. Appl. No. 29/397,034, Applicant: Kim, et al., filed Jul. 11, 2011 entitled Notebook Computer.

U.S. Appl. No. 29/397,064, Applicant: Fukusawa, et al., filed Jul. 11, 2011 entitled Notebook Computer.

U.S. Appl. No. 29/397,041, Applicant: Ryu et al., filed Jul. 11, 2011 entitled Netbook Computer.

* cited by examiner

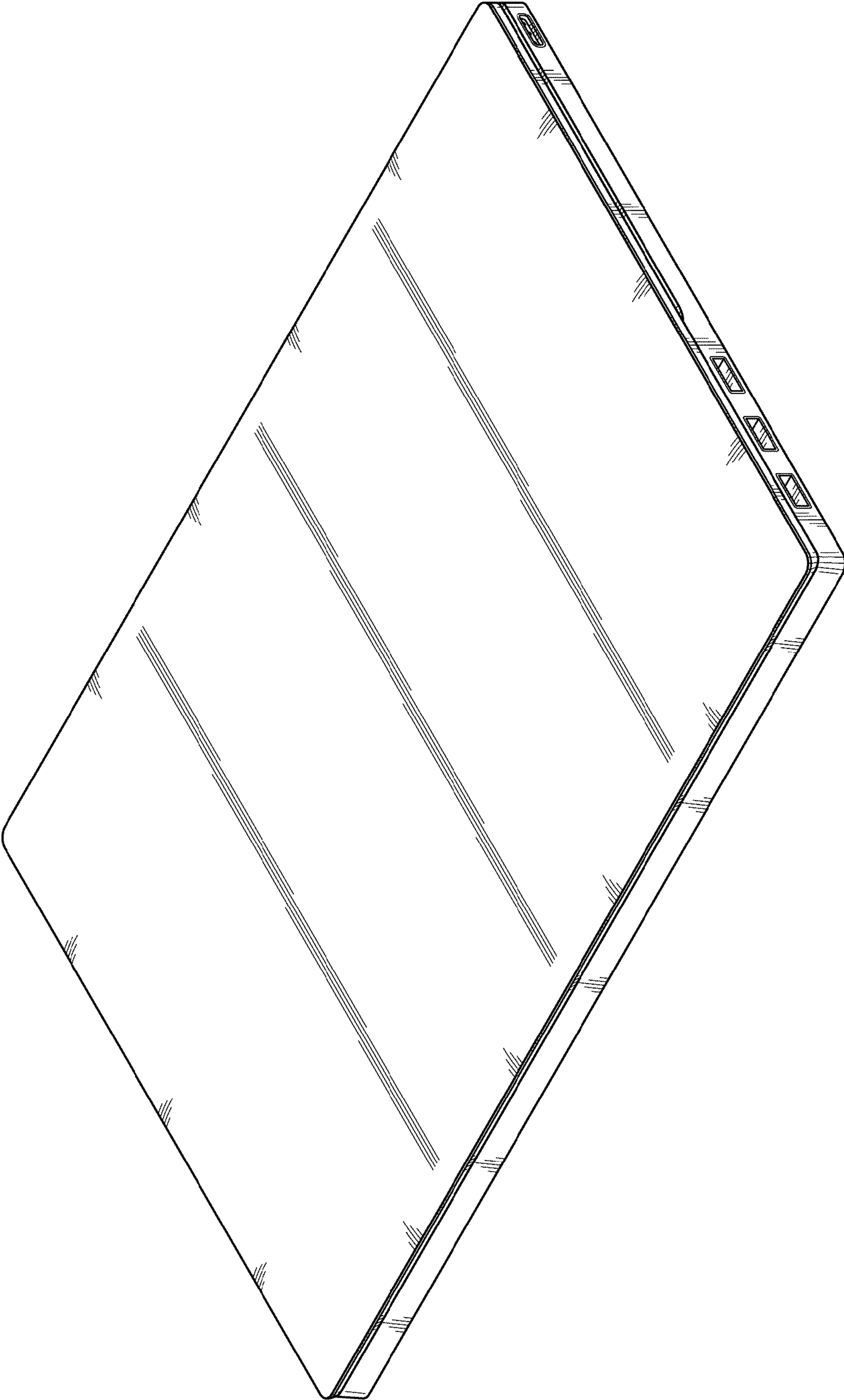


FIG.1

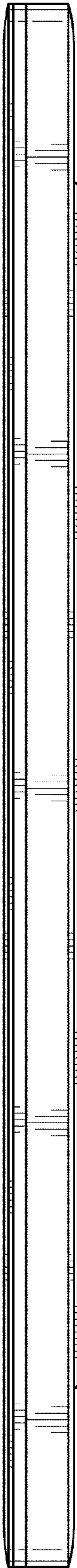


FIG. 2

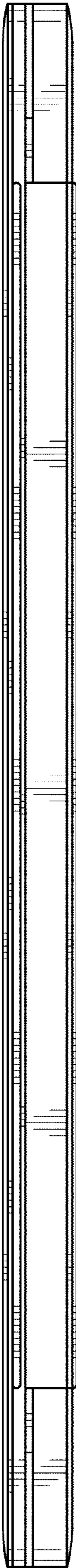


FIG. 3

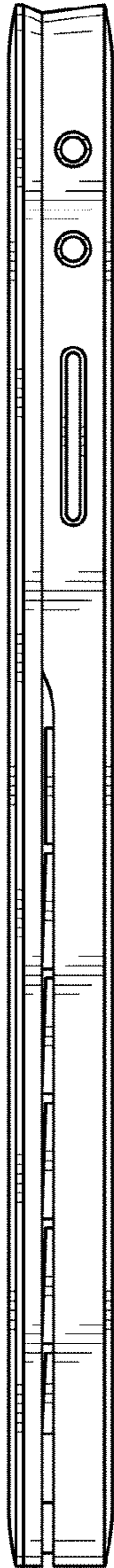


FIG. 4

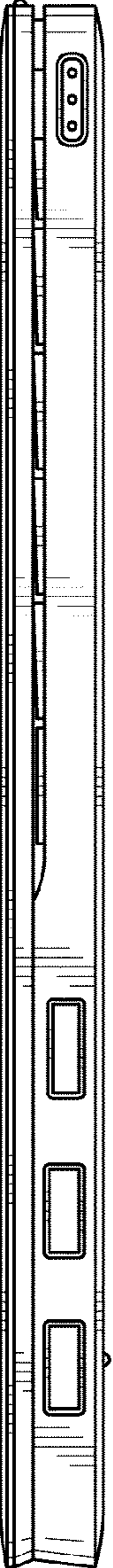


FIG. 5

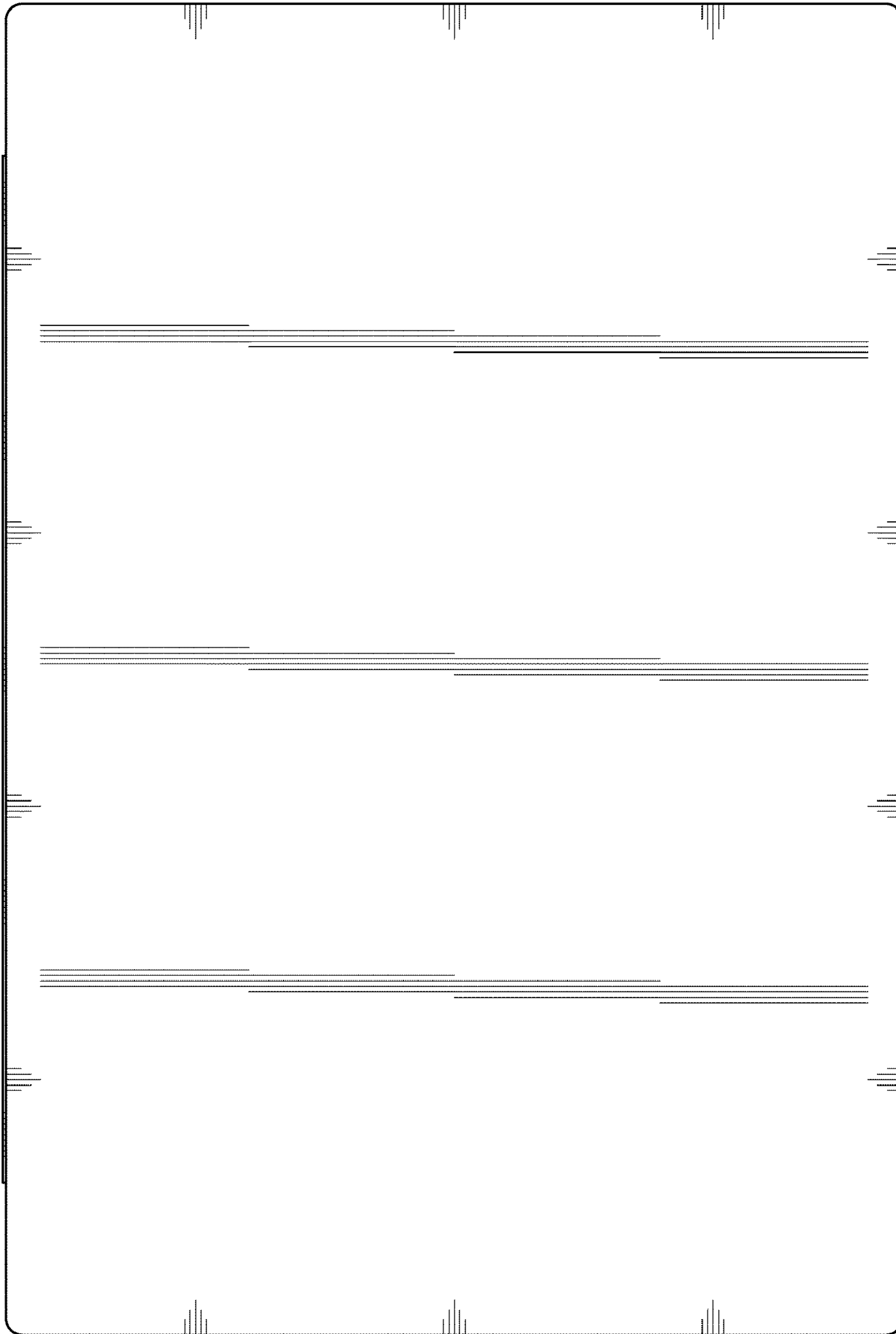


FIG.6

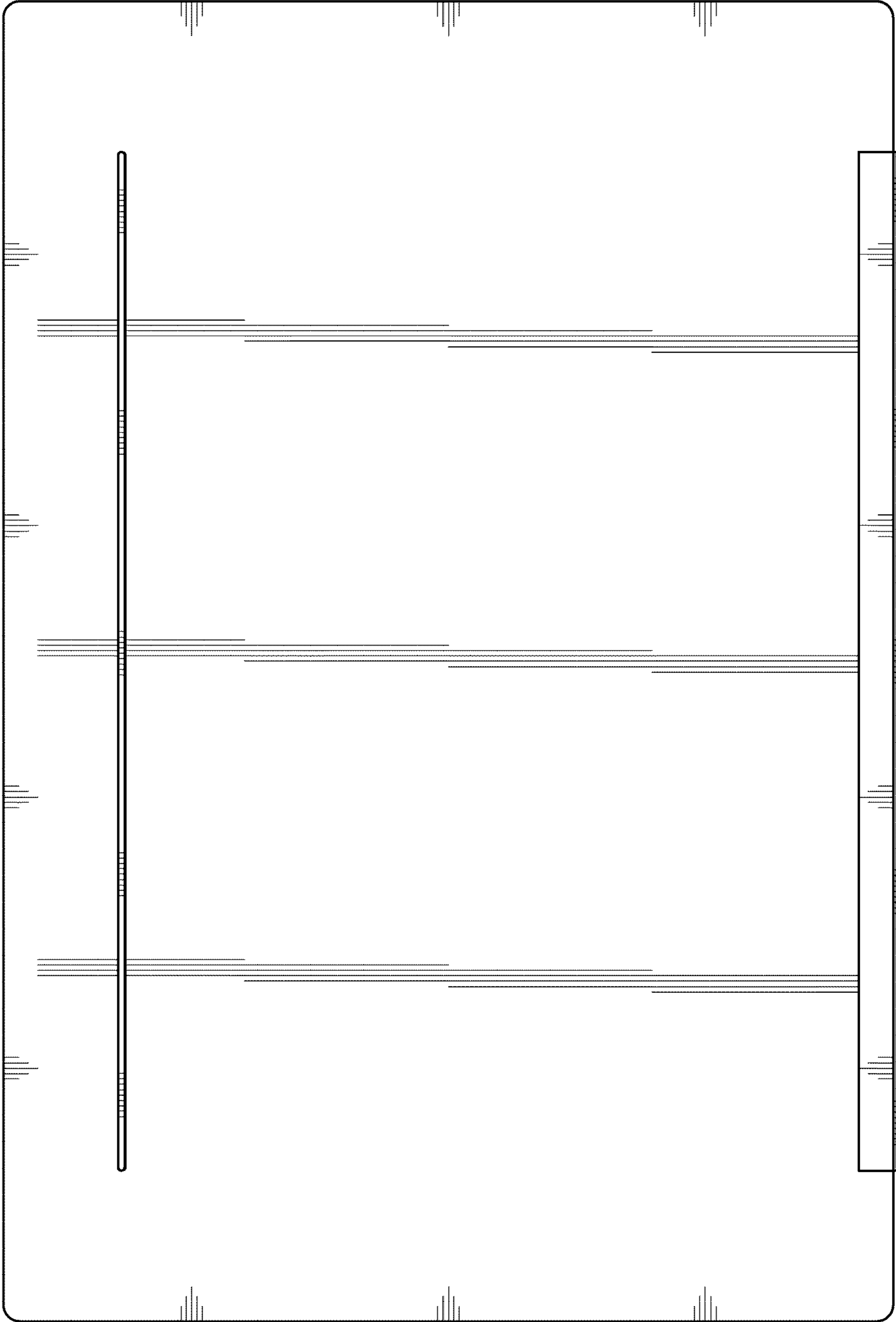


FIG. 7