

US00D651596S

(12) **United States Design Patent**  
**Cheng**

(10) **Patent No.:** **US D651,596 S**  
(45) **Date of Patent:** **\*\* Jan. 3, 2012**

(54) **CONTROL PANEL FOR A PORTABLE LOUDSPEAKER**

(75) Inventor: **Sue Cheng**, Chiayi County (TW)

(73) Assignee: **Mipro Electronics Co., Ltd.**, Chiayi (TW)

(\*\*) Term: **14 Years**

(21) Appl. No.: **29/388,665**

(22) Filed: **Mar. 31, 2011**

(51) **LOC (9) Cl.** ..... **14-01**

(52) **U.S. Cl.** ..... **D14/257**

(58) **Field of Classification Search** ..... D14/496,  
D14/498-511, 157, 167-168, 188, 197-198,  
D14/257-258; 360/99.02, 99.07; 369/75.11,  
369/75.21, 77.11, 77.21; 720/601, 612, 619,  
720/649, 655; 455/344, 347-351

See application file for complete search history.

(56) **References Cited**

U.S. PATENT DOCUMENTS

D360,419	S	*	7/1995	Weber et al.	.....	D14/257
5,862,468	A	*	1/1999	Kim	.....	455/321
D536,699	S	*	2/2007	Silva et al.	.....	D14/257
D559,242	S	*	1/2008	Potosky et al.	.....	D14/257
D566,701	S	*	4/2008	Quilling	.....	D14/258
D595,710	S	*	7/2009	Harrington	.....	D14/258

\* cited by examiner

*Primary Examiner* — Nanda Bondade

(74) *Attorney, Agent, or Firm* — Dickstein Shapiro LLP

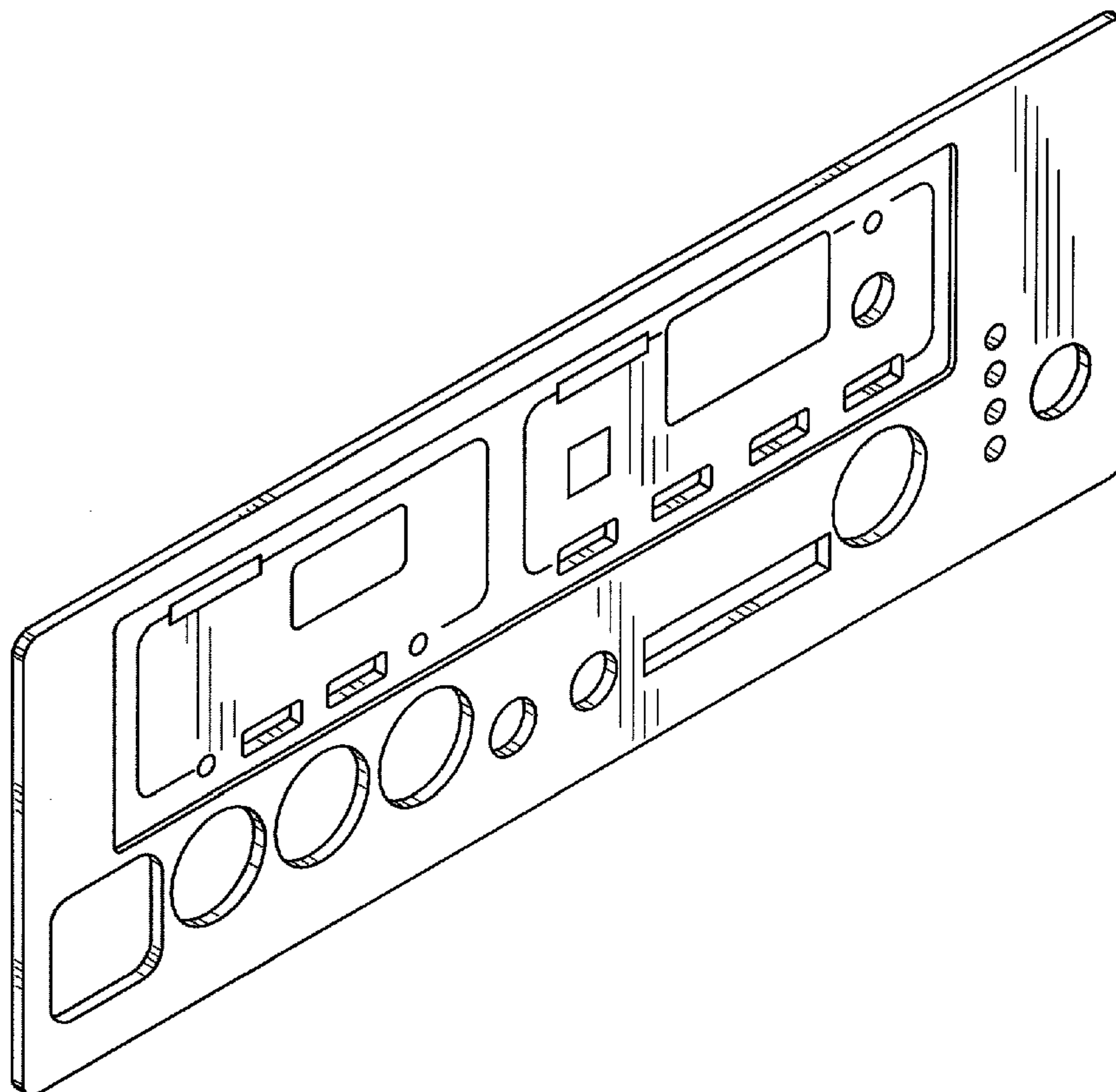
(57) **CLAIM**

The ornamental design for control panel for a portable loudspeaker, as shown and described.

**DESCRIPTION**

FIG. 1 is a perspective view of control panel for a portable loudspeaker showing my new design;  
FIG. 2 is a front elevational view thereof;  
FIG. 3 is a rear elevational view thereof;  
FIG. 4 is a left side elevational view thereof;  
FIG. 5 is a right side elevational view thereof;  
FIG. 6 is a top plan view thereof; and,  
FIG. 7 is a bottom plan view thereof.

**1 Claim, 4 Drawing Sheets**



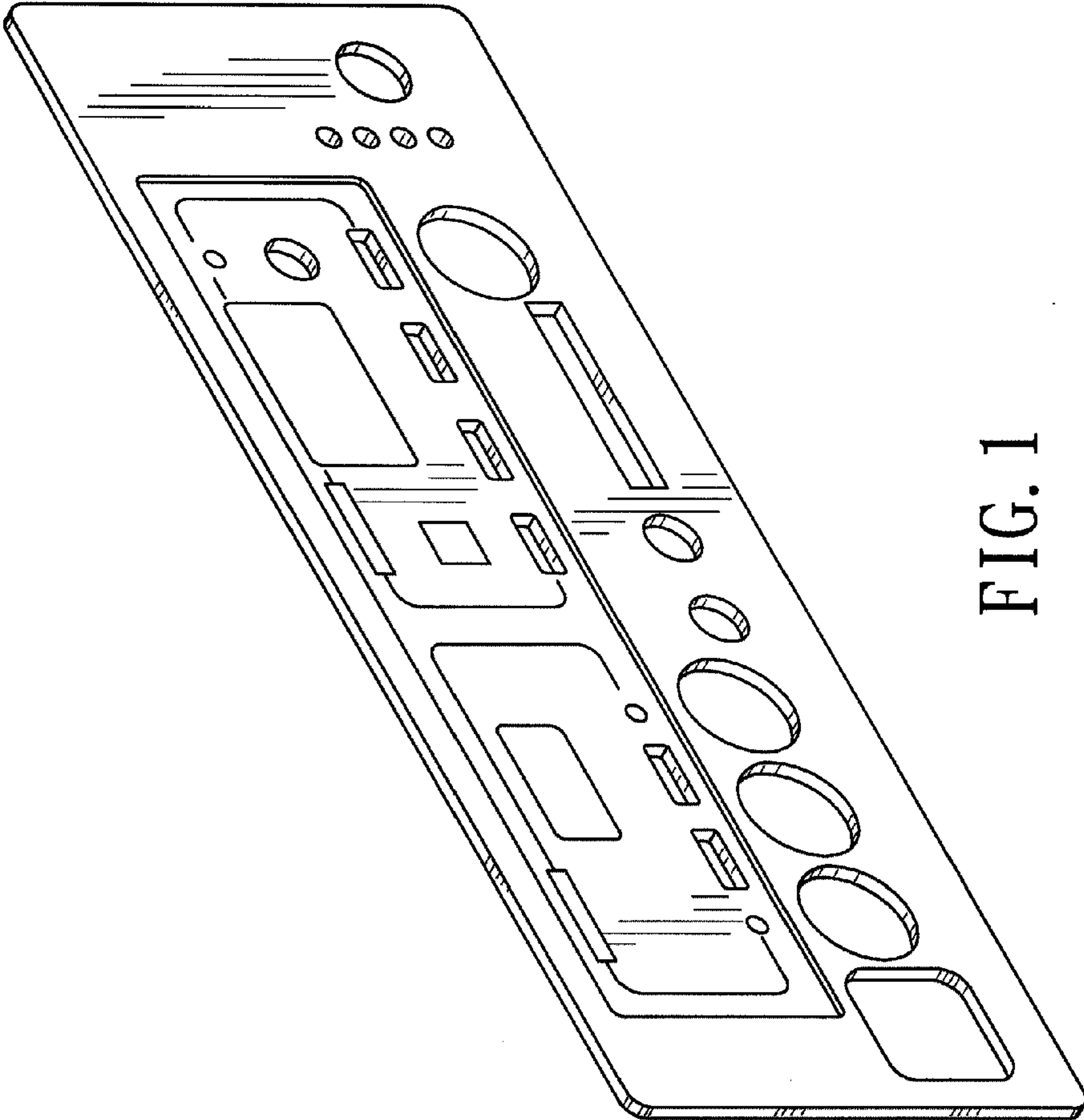


FIG. 1

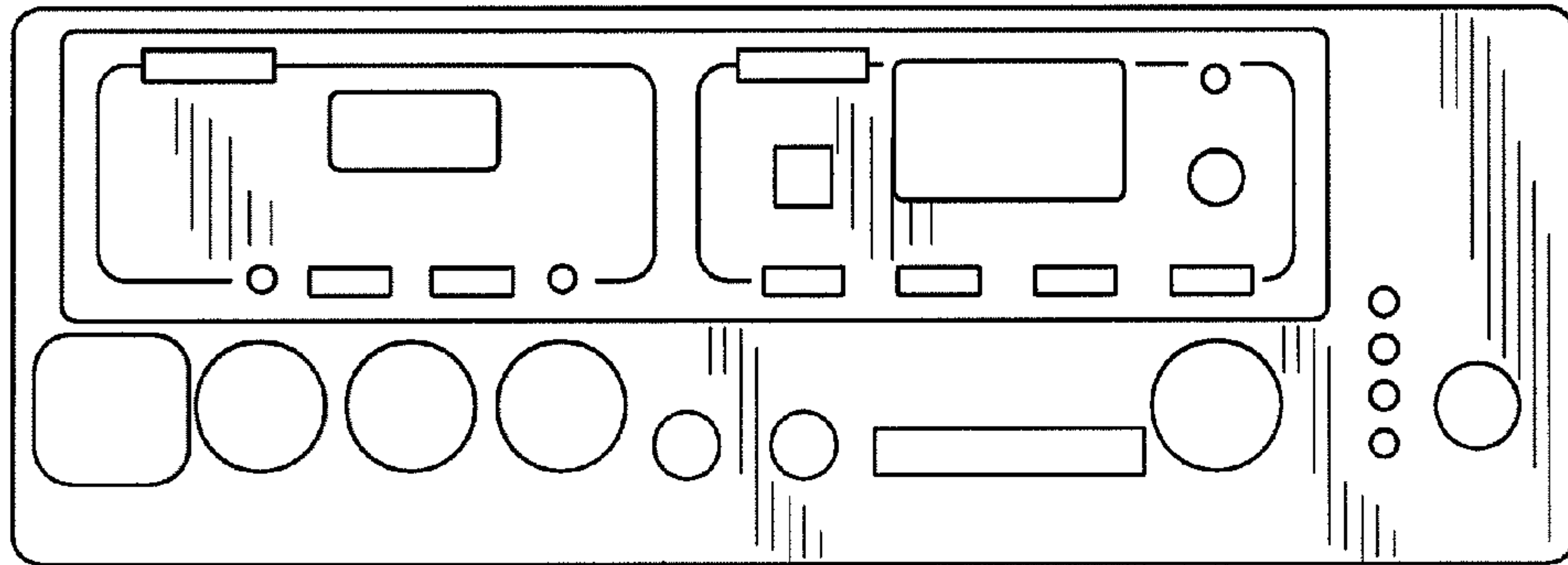


FIG. 2

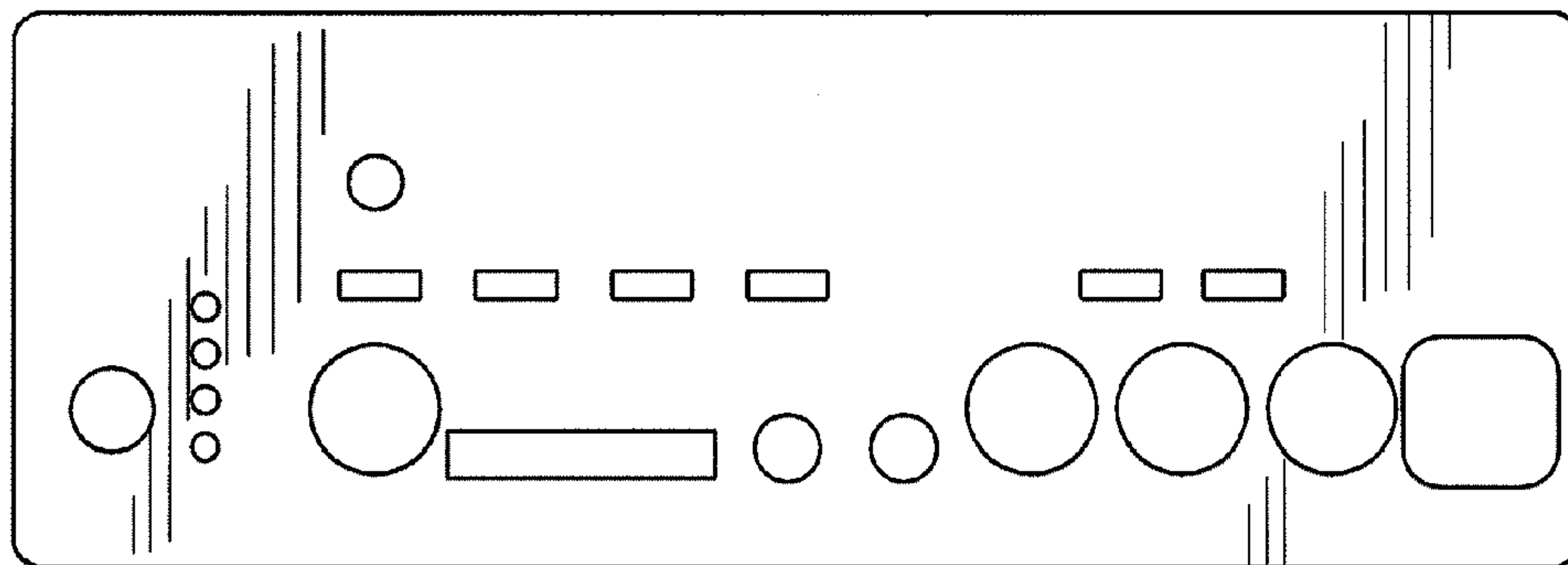


FIG. 3



FIG. 5



FIG. 4



FIG. 6

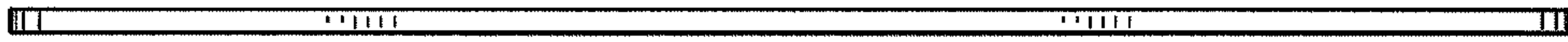


FIG. 7