



US00D651594S

(12) **United States Design Patent**
Melanson et al.

(10) **Patent No.:** **US D651,594 S**
(45) **Date of Patent:** **** Jan. 3, 2012**

(54) **CASE**

(75) Inventors: **Chris Melanson**, Fort Collins, CO (US);
Matthew Glanzer, Fort Collins, CO (US)

(73) Assignee: **Otter Products, LLC**, Fort Collins, CO (US)

(**) Term: **14 Years**

(21) Appl. No.: **29/390,212**

(22) Filed: **Apr. 21, 2011**

(51) **LOC (9) Cl.** **14-03**

(52) **U.S. Cl.** **D14/250**

(58) **Field of Classification Search** D14/250–253,
D14/440, 203.3–203.7, 217, 496, 248; D3/201,
D3/218, 269, 301, 273, 303; D13/103, 107–108;
220/4.02; 248/309.1; 361/679.56; 379/426,
379/433.11, 455; 455/575.1, 575.8; 190/100;
206/305, 320

See application file for complete search history.

(56) **References Cited**

U.S. PATENT DOCUMENTS

| | | | | | | |
|----------|---|---|---------|-------------------|-------|---------|
| D600,908 | S | * | 9/2009 | Richardson et al. | | D3/218 |
| D609,463 | S | * | 2/2010 | Bullen | | D3/218 |
| D613,282 | S | * | 4/2010 | Richardson et al. | | D14/250 |
| D615,077 | S | * | 5/2010 | Richardson et al. | | D14/250 |
| D617,784 | S | * | 6/2010 | Richardson et al. | | D14/250 |
| D617,785 | S | * | 6/2010 | Richardson et al. | | D14/250 |
| D617,786 | S | * | 6/2010 | Richardson et al. | | D14/250 |
| D619,130 | S | * | 7/2010 | Fellig | | D14/250 |
| D620,487 | S | * | 7/2010 | Richardson et al. | | D14/250 |
| D621,394 | S | * | 8/2010 | Richardson et al. | | D14/250 |
| D623,179 | S | * | 9/2010 | Richardson et al. | | D14/250 |
| D626,120 | S | * | 10/2010 | Richardson et al. | | D14/250 |
| D628,568 | S | * | 12/2010 | Richardson et al. | | D14/250 |
| D632,684 | S | * | 2/2011 | Richardson et al. | | D14/250 |
| D637,589 | S | * | 5/2011 | Willes et al. | | D14/250 |
| D638,828 | S | * | 5/2011 | Melanson et al. | | D14/250 |
| D638,829 | S | * | 5/2011 | Melanson et al. | | D14/250 |
| D643,836 | S | * | 8/2011 | Smith et al. | | D14/250 |

| | | | | | | |
|--------------|----|---|--------|-------------------|-------|---------|
| D644,637 | S | * | 9/2011 | Smith et al. | | D14/250 |
| D644,638 | S | * | 9/2011 | Melanson et al. | | D14/250 |
| D644,639 | S | * | 9/2011 | Weller et al. | | D14/250 |
| 2010/0104814 | A1 | * | 4/2010 | Richardson et al. | | 428/156 |

OTHER PUBLICATIONS

OtterBox Defender Series for Droid Charge by Samsung,
<URL:http://www.otterbox.com/DROID-CHARGE-by-Samsung-Defender-Series-Case/SAM2-LTE4G,default,pd.html?dwvar_SAM2-LTE4G_color=20&start=1

&q=droid%20charge%20by%20samsung>, retrieved from internet Sep. 29, 2011.*

Samsung Droid Charge Hard Back Cover w/ Gummy Border Case,
<URL:http://www.accessorygeeks.com/samsung-droid-charge-hard-back-gummy-brdr-case-blk-gray.html>, retrieved from internet Sep. 29, 2011.*

* cited by examiner

Primary Examiner — Robert M Spear

Assistant Examiner — Carla Wright

(57) **CLAIM**

The ornamental design for a case, as shown and described.

DESCRIPTION

FIG. 1 is a front isometric view of a case showing our new design;

FIG. 2 is a rear isometric view thereof;

FIG. 3 is a front view thereof;

FIG. 4 is a rear view thereof;

FIG. 5 is a left view thereof;

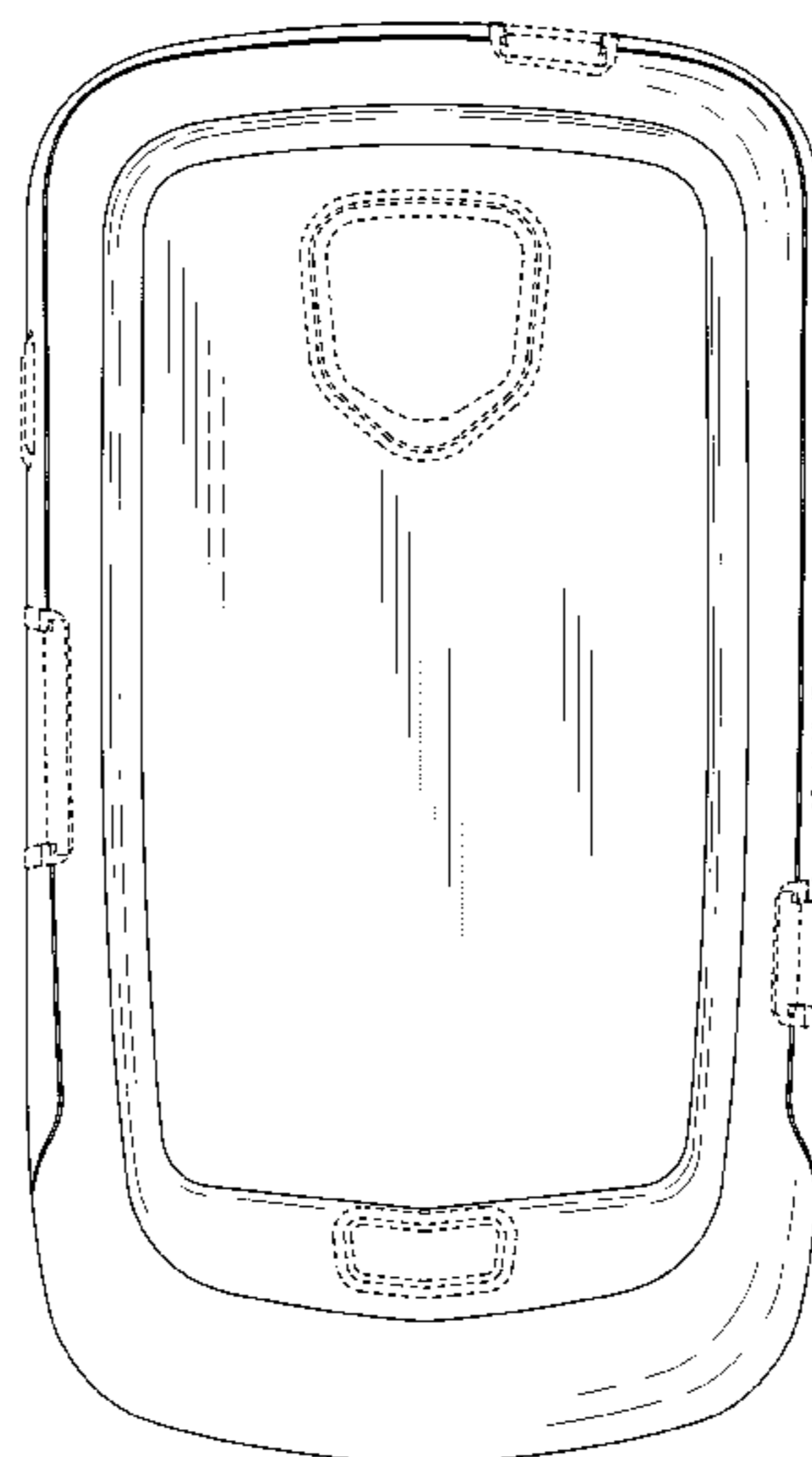
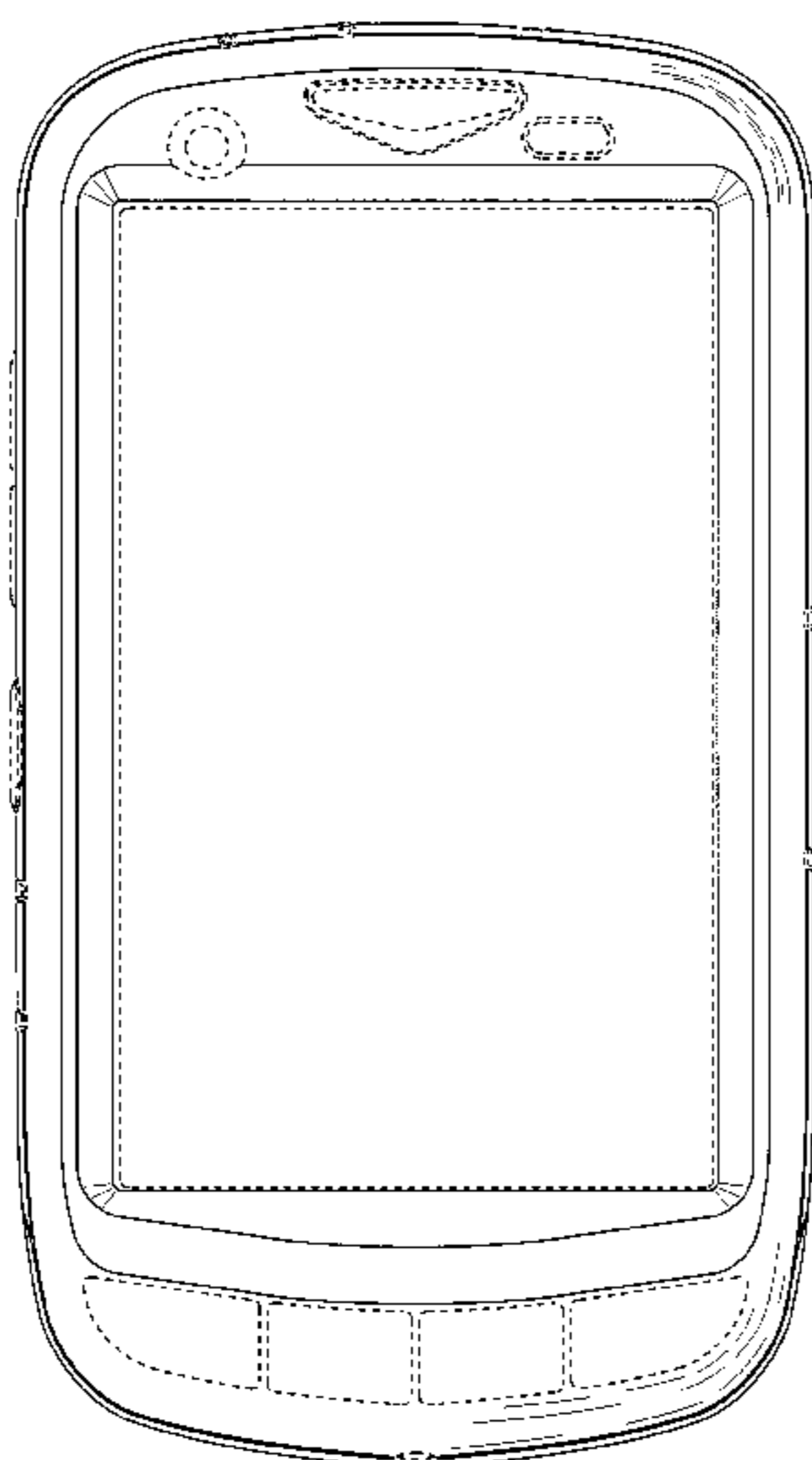
FIG. 6 is a right view thereof;

FIG. 7 is a top view thereof; and,

FIG. 8 is a bottom view thereof.

The broken line perimeter of the large unshaded rectangular region on the front of the case in FIGS. 1 and 3 represents a boundary of the claimed design. All other broken lines depict unclaimed environment. The broken lines and unshaded regions bounded by broken lines form no part of the claimed design.

1 Claim, 6 Drawing Sheets



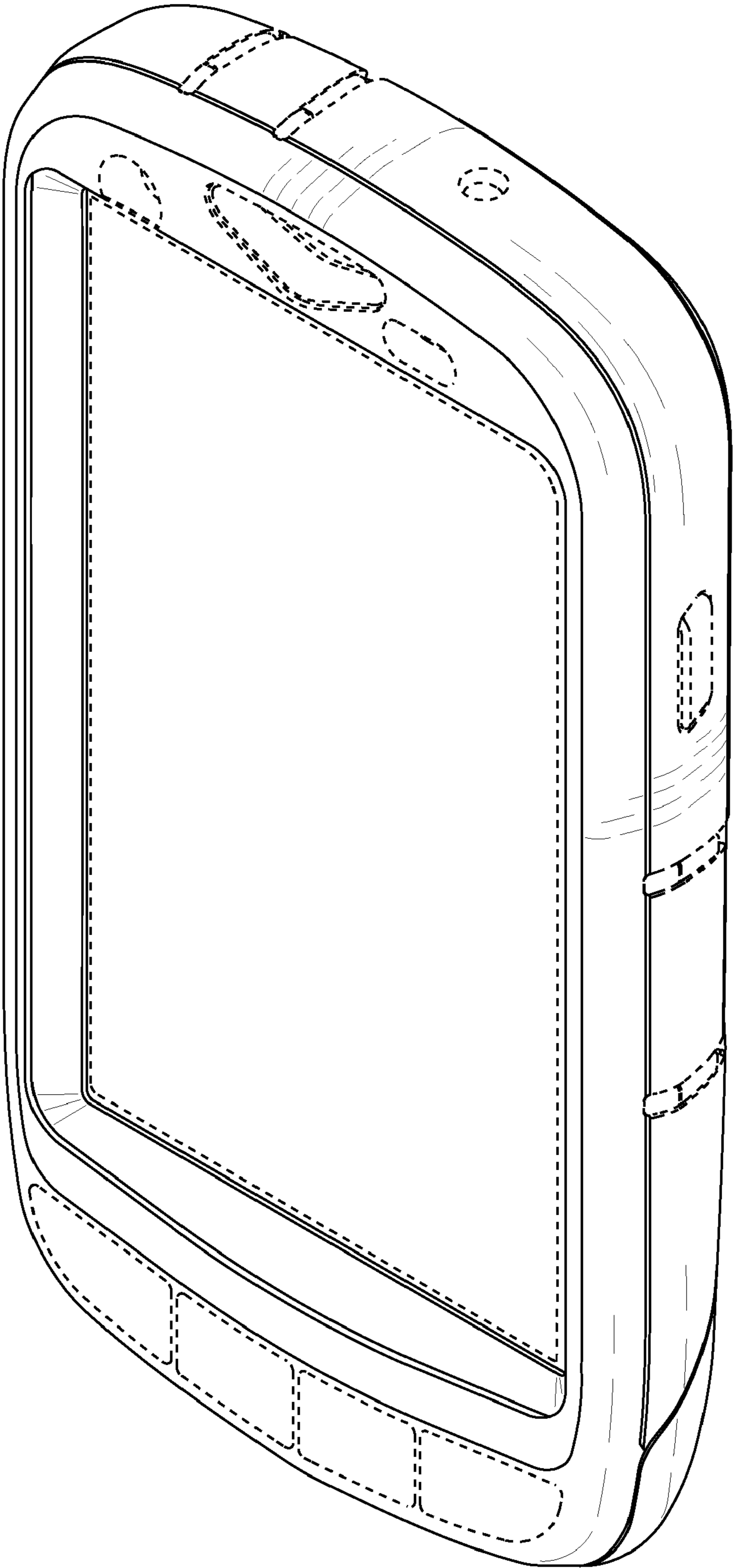


FIG. 1

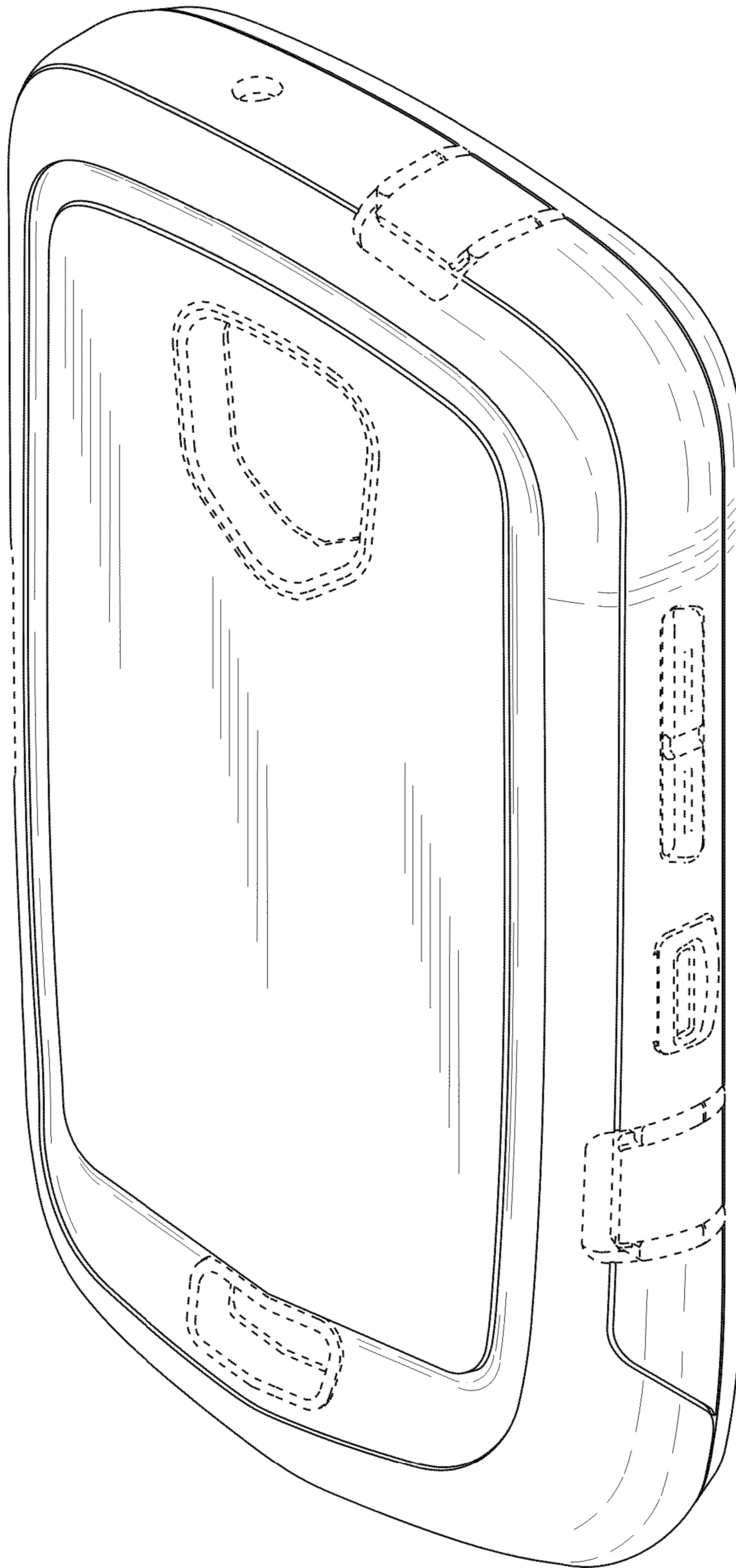


FIG. 2

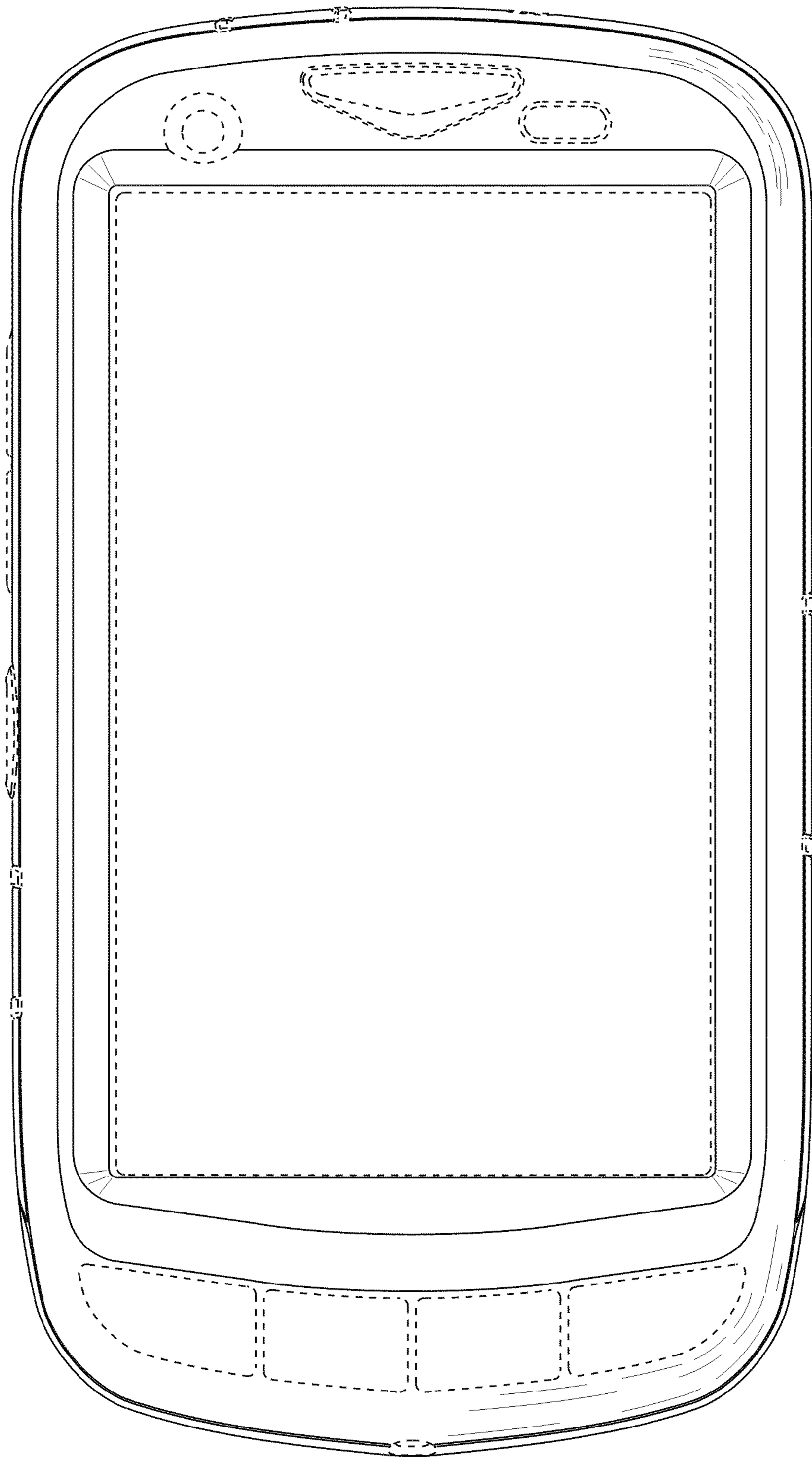


FIG. 3

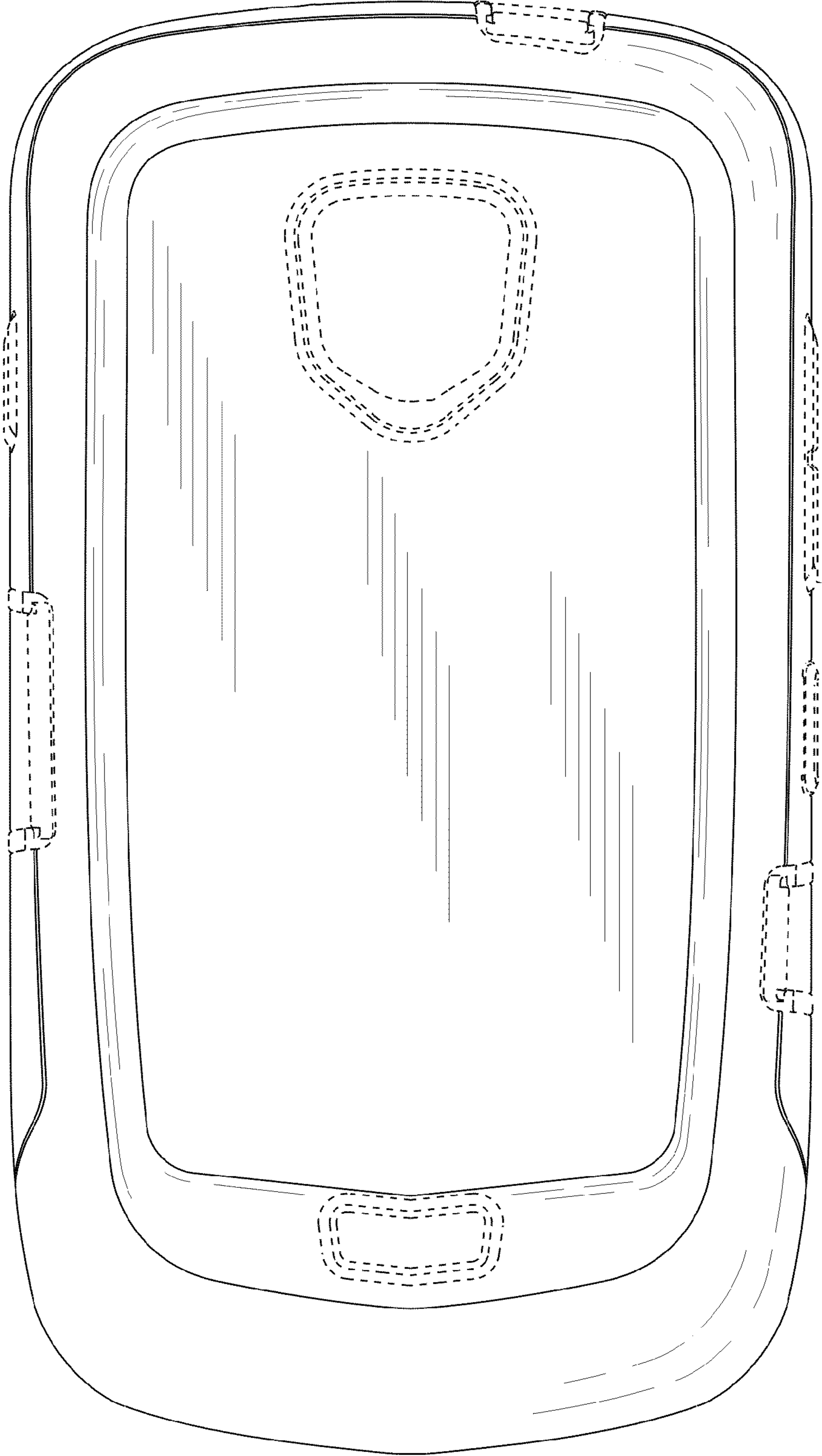


FIG. 4

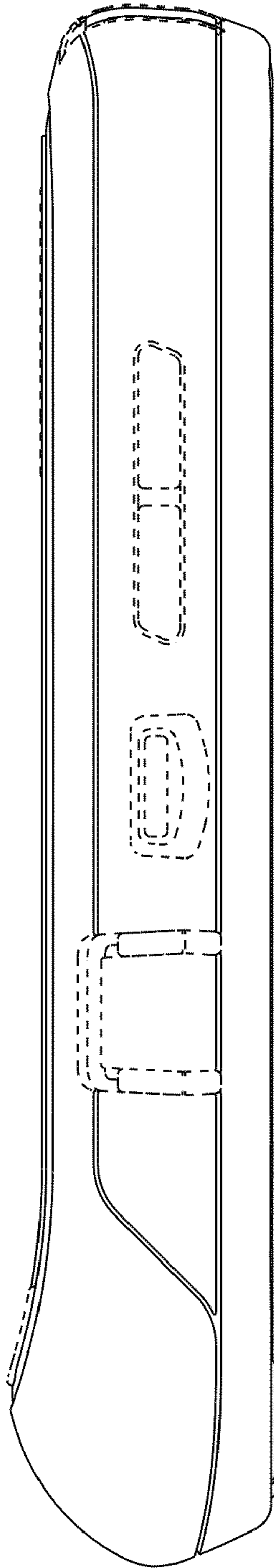


FIG. 5

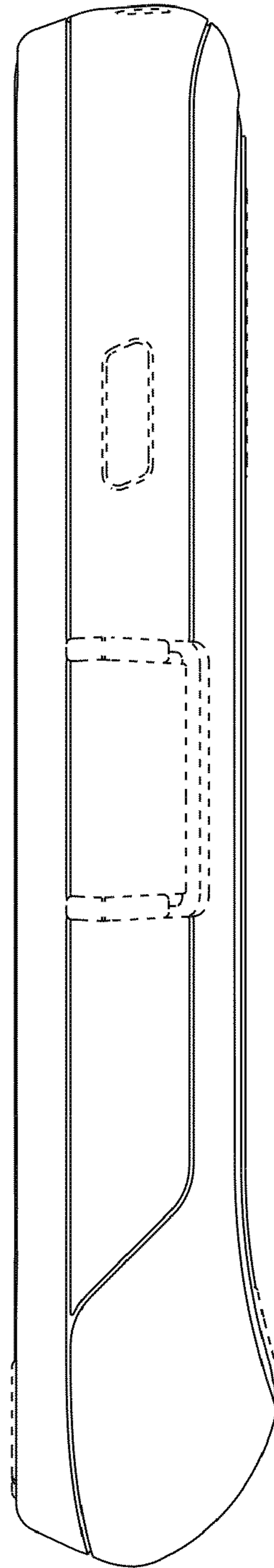


FIG. 6

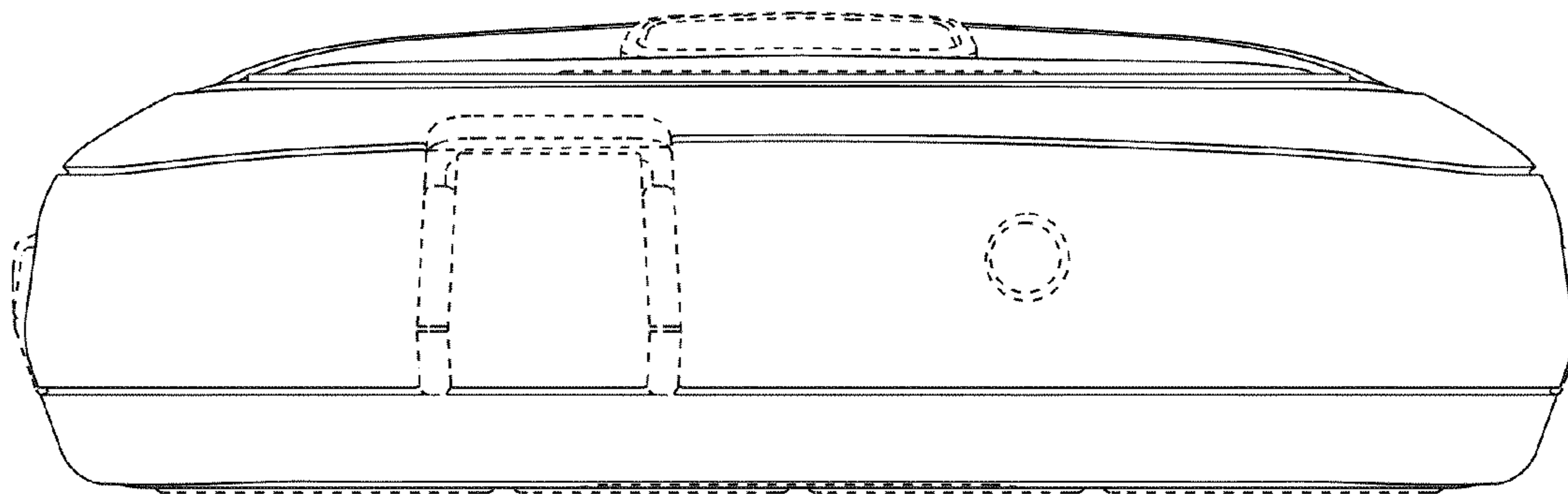


FIG. 7

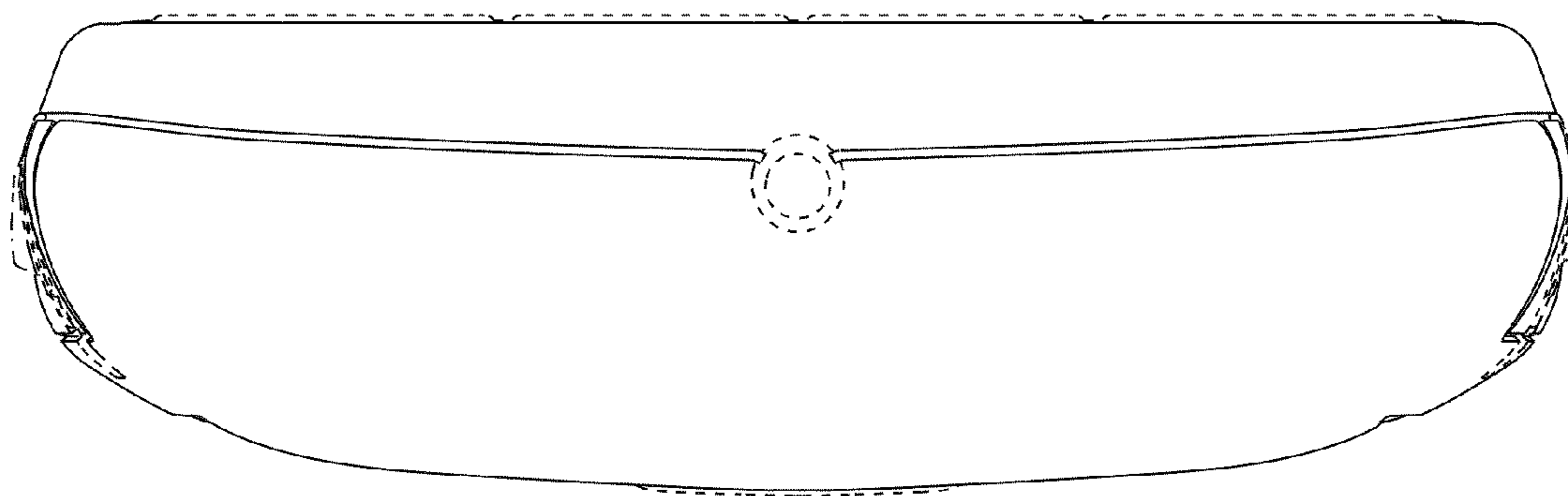


FIG. 8