



US00D651593S

(12) **United States Design Patent**  
**Hunter et al.**

(10) **Patent No.:** **US D651,593 S**  
(45) **Date of Patent:** **\*\* Jan. 3, 2012**

(54) **RFID HOLDER**

(75) Inventors: **Scott Hunter**, Arlington, TX (US);  
**Brian Christopher Witkowski**,  
Weatherford, TX (US); **Nadiya V.**  
**Fuller**, Plano, TX (US)

(73) Assignee: **S.P.M. Flow Control, Inc.**, Fort Worth,  
TX (US)

(\*\*) Term: **14 Years**

(21) Appl. No.: **29/393,454**

(22) Filed: **Jun. 3, 2011**

(51) **LOC (9) Cl.** ..... **14-03**

(52) **U.S. Cl.** ..... **D14/238**

(58) **Field of Classification Search** ..... D14/354,  
D14/230-238, 299, 358; D6/495; 343/700 R,  
343/878-892; 455/90.2, 90.3, 91, 128, 269,  
455/344, 347, 562.1, 561; D16/242  
See application file for complete search history.

(56) **References Cited**

**U.S. PATENT DOCUMENTS**

D368,218 S *	3/1996	Klein, III	.....	D8/354
D408,716 S *	4/1999	Vesledahl	.....	D8/354
D495,223 S *	8/2004	Altman	.....	D8/19
D538,630 S *	3/2007	Sergi	.....	D8/354
D551,662 S *	9/2007	Buren et al.	.....	D14/230
D573,589 S *	7/2008	Montgomery et al.	.....	D14/230
D578,521 S *	10/2008	Sergi et al.	.....	D14/238
D597,086 S *	7/2009	Sergi et al.	.....	D14/238
D620,483 S *	7/2010	Conrad et al.	.....	D14/230

**OTHER PUBLICATIONS**

U.S. Appl. No. 29/393,453, filed Jun. 3, 2011.  
U.S. Appl. No. 29/393,452, filed Jun. 3, 2011.  
U.S. Appl. No. 61/493,282, filed Jun. 3, 2011.  
U.S. Appl. No. 61/493,274, filed Jun. 3, 2011.  
U.S. Appl. No. 61/493,278, filed Jun. 3, 2011.  
E&P Aug. 2010, "New wireless solution improves visibility, value,  
safety" Terence Leung, p. 20.  
TROI-Home, <http://www.troirfid.com>, last visited Jul. 12, 2011.  
PC-102-Dome specification sheet, available at [http://troirlid.com/yahoo\\_site\\_admin/assets/docs/PC-102\\_Dome.277173131.xls](http://troirlid.com/yahoo_site_admin/assets/docs/PC-102_Dome.277173131.xls),  
last visited Jul. 12, 2011.

\* cited by examiner

*Primary Examiner* — Celia A. Murphy  
*Assistant Examiner* — John Windmuller

(74) *Attorney, Agent, or Firm* — Bracewell & Giuliani LLP

(57) **CLAIM**

We claim the ornamental design for the RFID holder, as shown and described.

**DESCRIPTION**

FIG. 1 is a perspective view of the front, top, and left side of the RFID holder showing an embodiment of the design of our invention;  
FIG. 2 is a right side view of the RFID holder of FIG. 1.  
FIG. 3 is a top view of the RFID holder of FIG. 1; and,  
FIG. 4 is a front elevation view of the RFID holder of FIG. 1.

**1 Claim, 2 Drawing Sheets**

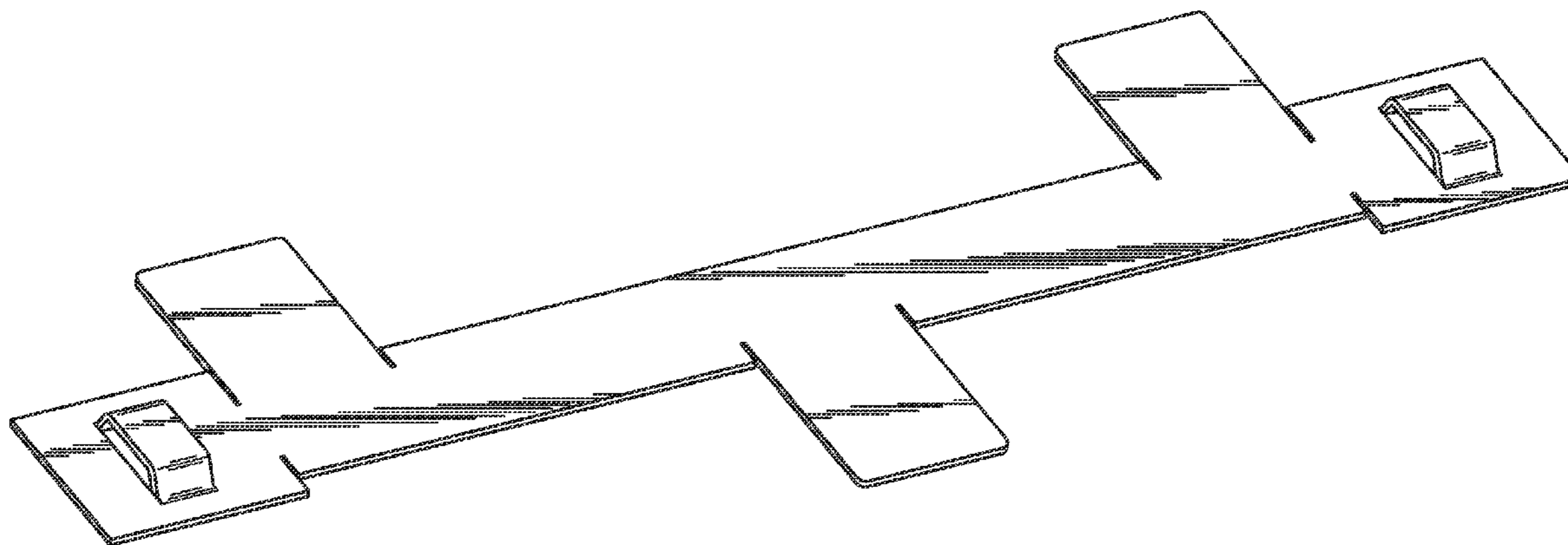


Fig. 1

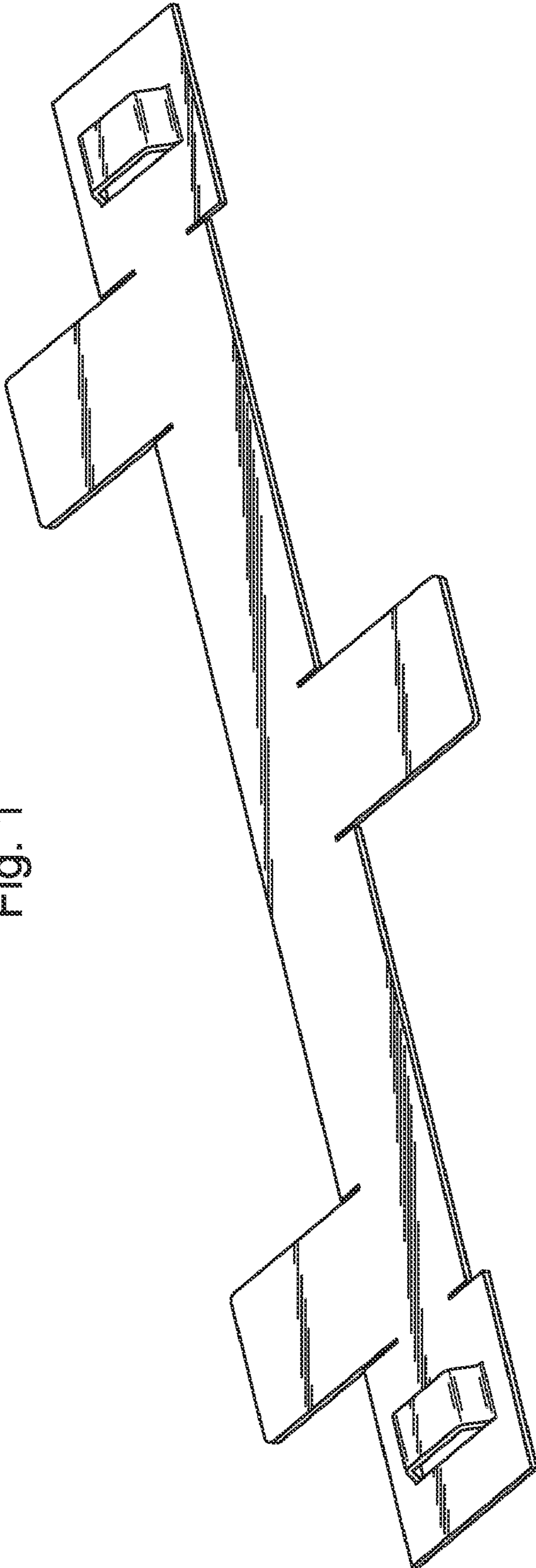
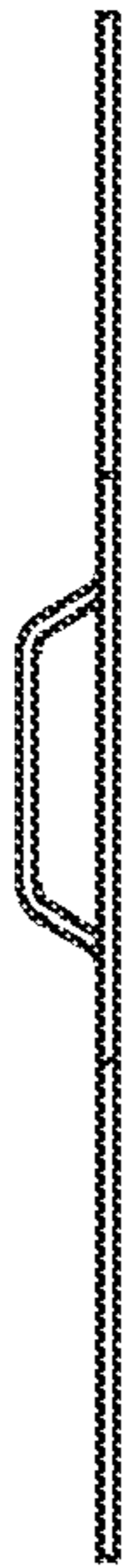


Fig. 2



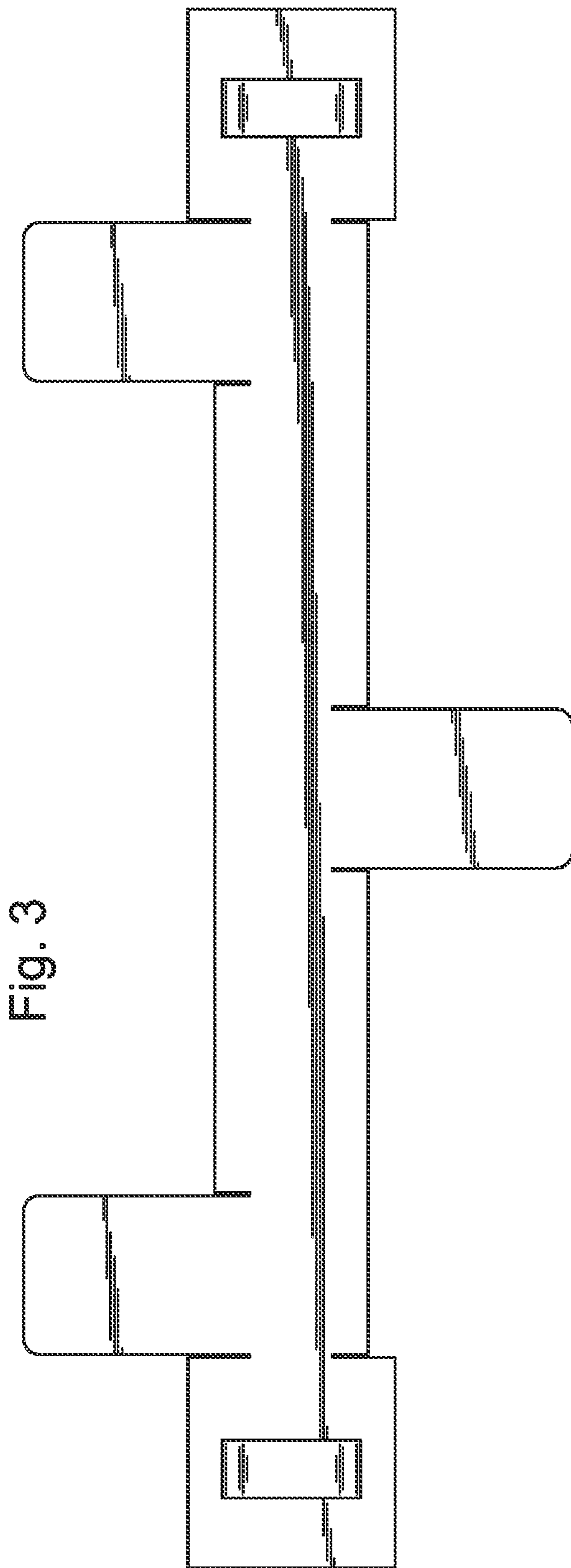


Fig. 3



Fig. 4